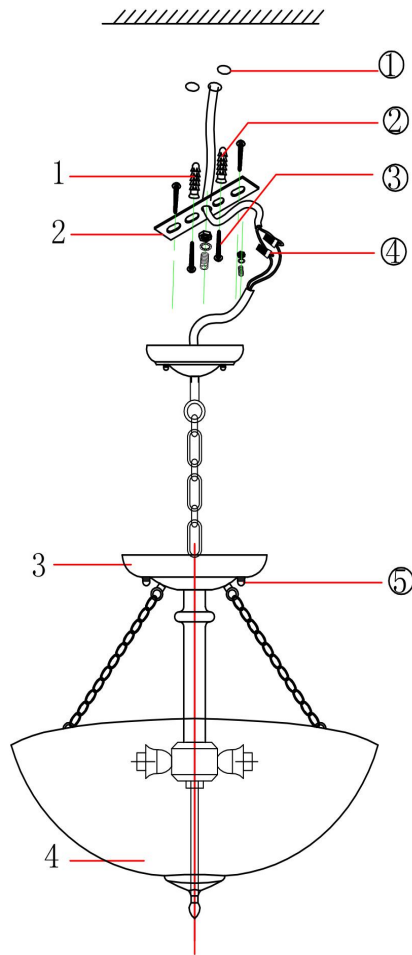
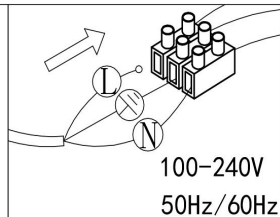


INSTALLATION



Ceiling Lamp
100-240V
50Hz/60Hz
MAX: 60W



Installation:

- ① Fix the crossbar by screws on the ceiling.
- ② Connect the cable.
- ③ Assemble the lamp body.
Assembly Guide link:
<https://www.youtube.com/watch?v=DGr3fnz57vE>
- ④ Mount the lamp body.
- ⑤ Fix the metal tube.
- ⑥ Attach 3*E26 bulb & power on test.

Cautions:

- ◆ Should be installed by professional person
- ◆ During the cleaning and installation remember to cut the power off
- ◆ Do not install the lamp on the ceiling that is wet and keep the installation environment ventilation and dry.
- ◆ Keep the lamps away from corrosive chemical and air such as acid and alkali.
- ◆ Do not wash it with water, but wipe it clean with a soft cloth.

Accessory List

No	Part Name	Photo	QTY
1	Accessory		1
2	Lamp Body		1
3	Light Source	E26 Base * 3 Bulb Not Include	
4	Hanging Chain		1
5	Canopy + Metal Crossbar		1