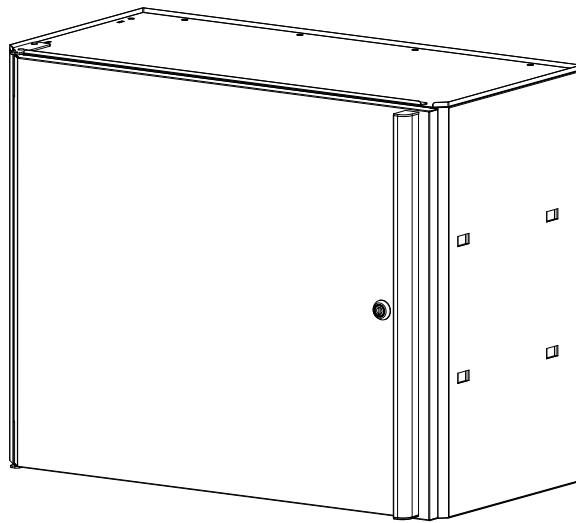


OWNER'S MANUAL

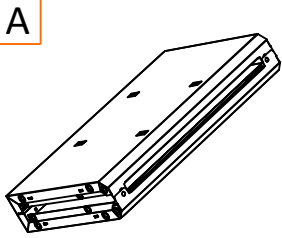


24" Garage Wall Cabinet Model

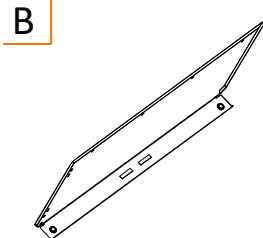
PARTS LIST

24" Garage Wall Cabinet should include the following parts. Please inspect box contents to ensure you have received all components.

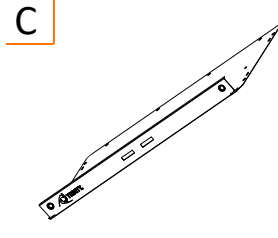
You will need a Phillips screwdriver for assembly which is not provided.



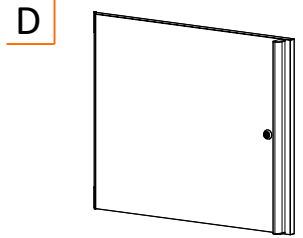
A
CABINET BODY (1)



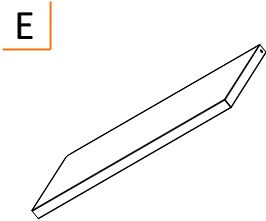
B
TOP PANEL (1)



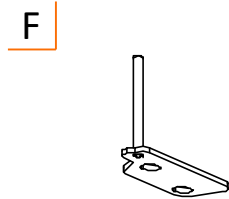
C
BOTTOM PANEL (1)



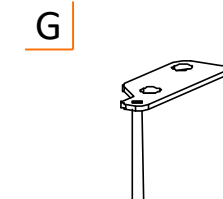
D
DOOR (1)



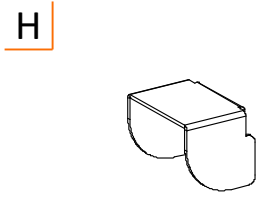
E
SHELF (1)



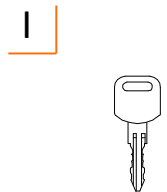
F
DOOR HINGE-F (1)



G
DOOR HINGE-G (1)



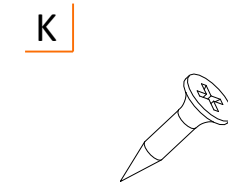
H
SHELF SUPPORT (4)



I
KEY (2)



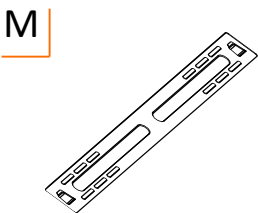
J
**BLACK SCREW
(24) + (2) extra**



K
MOUNTING SCREW (4)



L
ANCHOR (4)

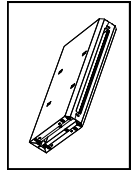


M
WALL BRACKET (1)

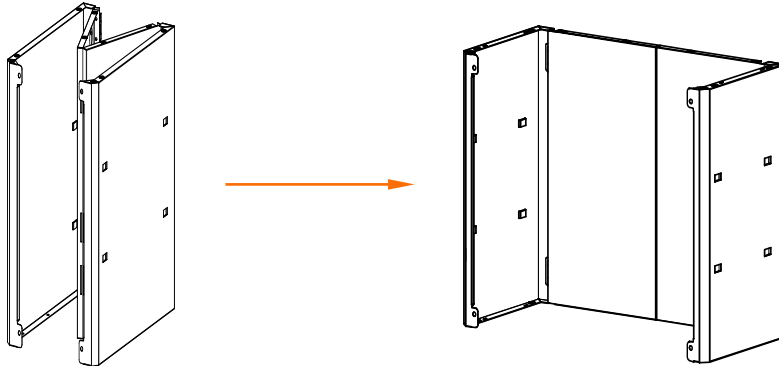
ASSEMBLY INSTRUCTIONS

STEP 1

Unfold CABINET BODY (A).



A (1)



STEP 2

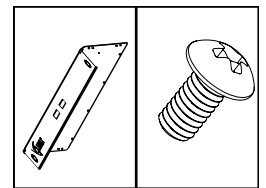
Two people are recommended for ease of assembly. Stand the unfolded CABINET BODY (A) upside down on the floor.

Note: There is a 40mm diameter hole on the back panel of the CABINET BODY (A). When the CABINET BODY (A) is upside down, this hole should be in the upper left corner of the back panel.

Turn BOTTOM PANEL (C) upside down. Tilt the front diagonally downward. First, insert the lip into the inner side of the tab of CABINET BODY (A) at the right side, then insert into the left side.

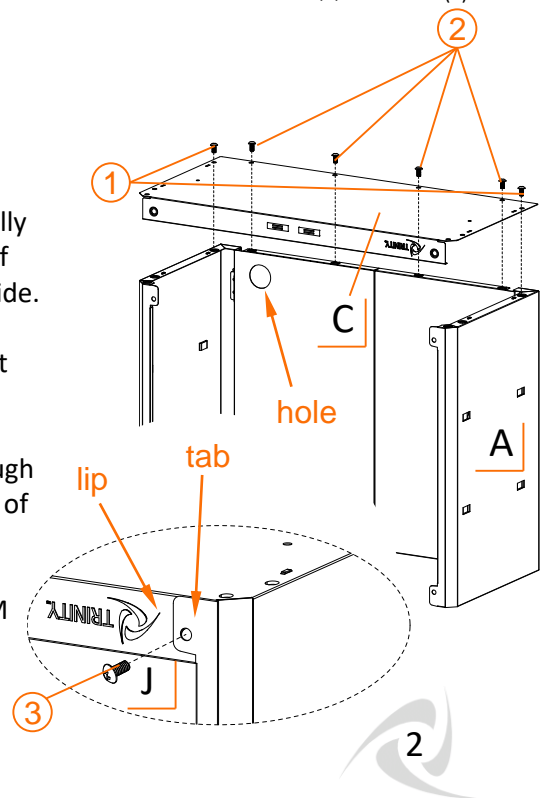
Note: Do not install screws in the two holes at the right or left front corners of BOTTOM PANEL (C) until instructed.

Follow the order indicated, insert (6) BLACK SCREWS (J) through the hole on each back corner and four holes on the back side of BOTTOM PANEL (C). Tighten them fully with a Phillips screwdriver. Insert (2) BLACK SCREWS (J) through the tabs on front of CABINET BODY (A) and tighten them fully to BOTTOM PANEL (C).



C (1)

J (8)



ASSEMBLY INSTRUCTIONS

STEP 3

DOOR (D) can be installed on the left **OR** right side of the cabinet. Only install one hinge in this step.

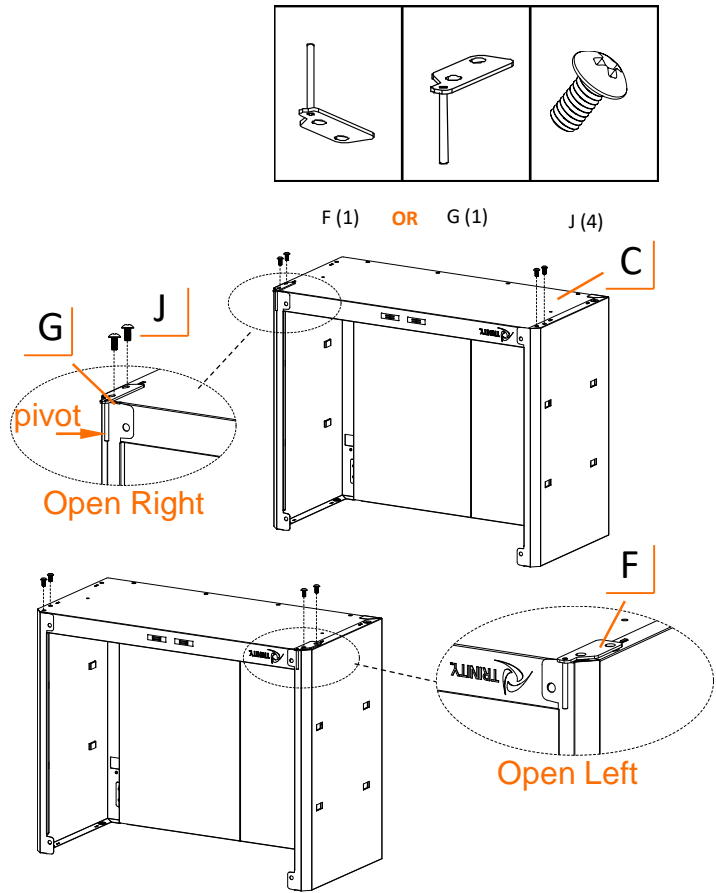
RIGHT INSTALLATION:

Position DOOR HINGE-G (G) on the left front corner of the outside of BOTTOM PANEL (C) and align the holes. Make sure the pivot of hinge faces down.

LEFT INSTALLATION:

Position DOOR HINGE-F (F) on the right front corner of the outside of BOTTOM PANEL (C) and align the holes. Make sure the pivot of hinge faces down.

Insert (2) BLACK SCREWS (J) through the DOOR HINGE (F or G) and (2) through BOTTOM PANEL (C). Tighten fully with a Phillips screwdriver.



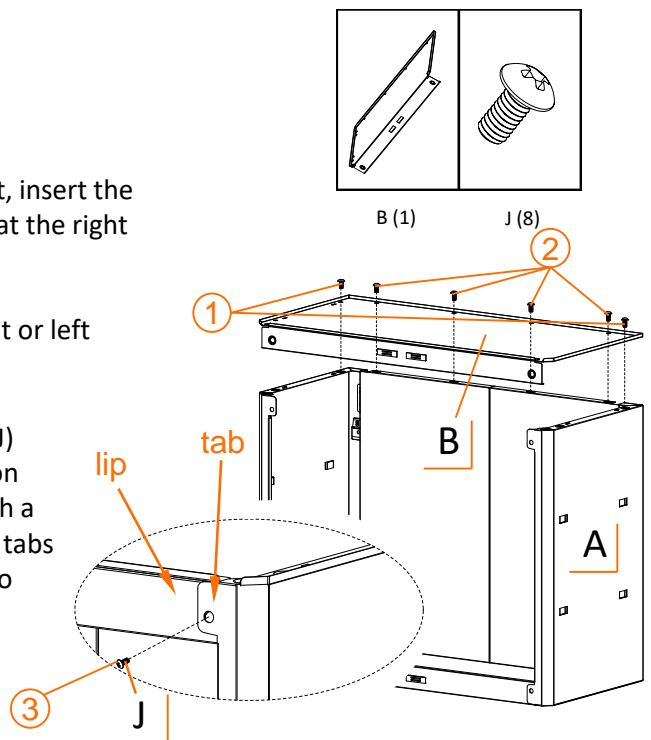
STEP 4

Stand the unit right side up.

Tilt front of TOP PANEL (B) diagonally downward. First, insert the lip into the inner side of the tab of CABINET BODY (A) at the right side, then insert into the left side.

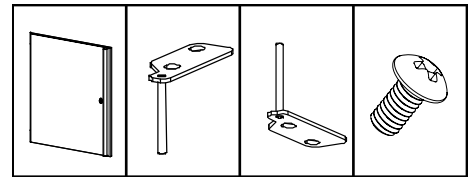
Note: Do not install screws in the two holes at the right or left front corners of TOP PANEL (B) until instructed.

Follow the order indicated, insert (6) BLACK SCREWS (J) through the hole on each back corner and four holes on the back side of TOP PANEL (B). Tighten them fully with a Phillips screwdriver. Insert (2) SCREWS (J) through the tabs on front of CABINET BODY (A) and tighten them fully to TOP PANEL (B).



ASSEMBLY INSTRUCTIONS

STEP 5

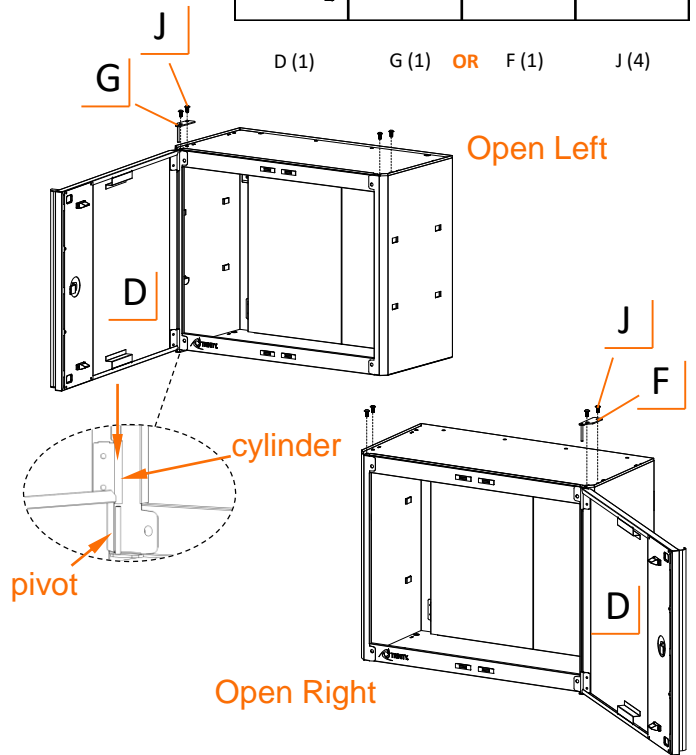


D (1) G (1) OR F (1) J (4)

Attach DOOR (D) to the cabinet front by sliding the bottom door cylinder over the DOOR HINGE (F or G) installed in Step 3.

Position remaining DOOR HINGE (G or F) to the left or right front corner of TOP PANEL (B). Make sure to insert the pivot of DOOR HINGE into the top door cylinder first.

Align holes on DOOR HINGE (G or F) to pre-installed nuts on frame of CABINET BODY (A). Insert (2) BLACK SCREWS (J) through the DOOR HINGE (G or F) and (2) through TOP PANEL (B). Tighten fully with a Phillips screwdriver.



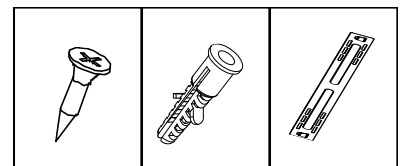
STEP 6

Position WALL BRACKET (M) on the wall at the desired height.

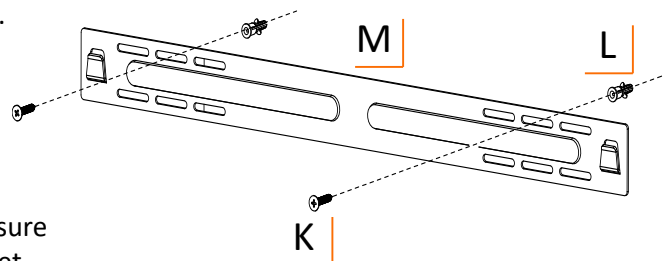
If needed, use a pencil to mark off the mounting location on the wall through one of the oval holes on each end of WALL BRACKET (M). Drill holes in marked locations. Insert ANCHOR (L) completely into each drilled hole.

Fasten SCREWS (K) through the oval holes on WALL BRACKET (M) into the wall or anchors tightly with a Phillips screwdriver.

Note: Please consult a local contractor if you are unsure if your wall is able to bear the load of the wall cabinet.



K (2) L (2) M (1)

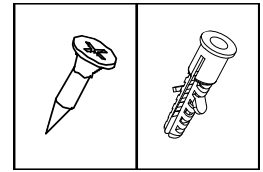


ASSEMBLY INSTRUCTIONS

STEP 7

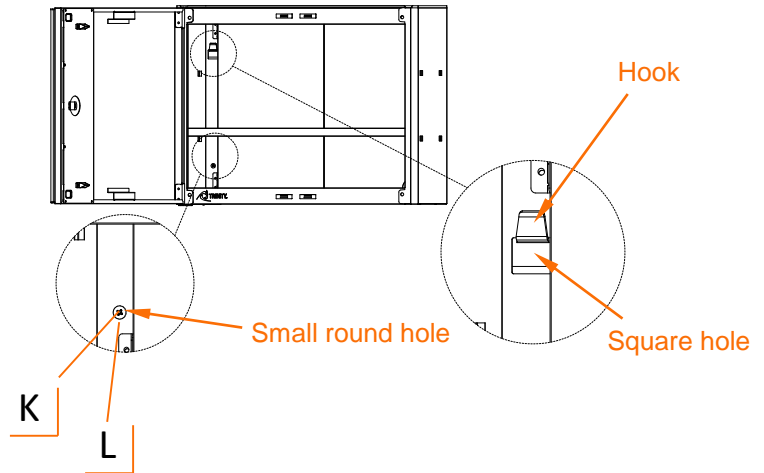
Lift the cabinet and hang it carefully on two hooks of WALL BRACKET(M) through two square holes on the back side of cabinet. Two people are needed, DO NOT attempt this alone.

There are two small round holes on the back side of cabinet. Use a pencil to mark off the fastening location on the wall through the holes. Drill holes in marked locations. Insert ANCHOR (L) completely into each drilled hole. Insert SCREWS (K) through the round holes on cabinet into anchors. Fasten the screws tightly with a Phillips screwdriver.



K (2)

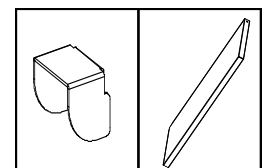
L (2)



STEP 8

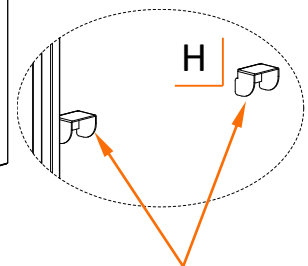
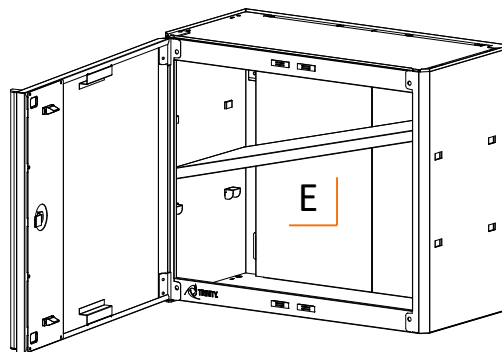
Attach SHELF SUPPORT (H) by hooking it over the position tab at your desired height. Make sure all four SHELF SUPPORTS (H) are at the same level.

Tilt SHELF (E) diagonally to move it inside the cabinet. Place SHELF (E) on top of all four SHELF SUPPORTS (H).



H (4)

E (1)



Shelf supports hooked on position tabs

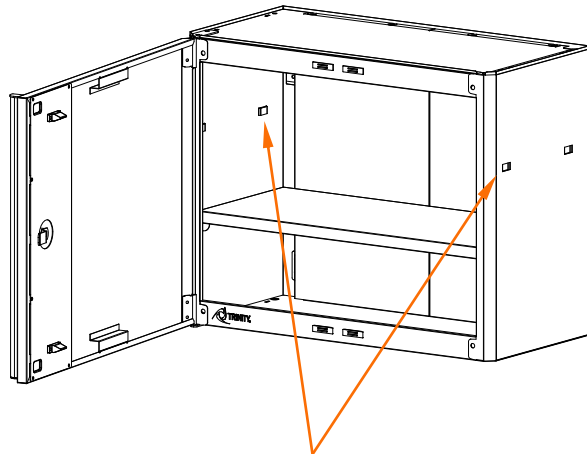
USAGE INSTRUCTIONS

SHELF ADJUSTMENT

Ensure all products have been removed from the shelf.

To adjust the shelf, take the shelf out of the cabinet and re-attach the shelf supports to the position tabs at your desired height.

Tilt the shelf diagonally to move it inside the cabinet. Place the shelf on top of all four shelf supports.

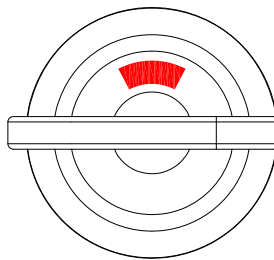


Position Tabs

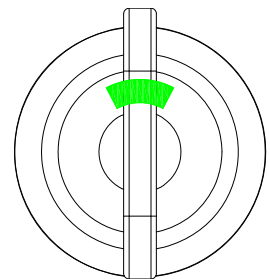
LOCK AND UNLOCK

Insert the key into the lock on the right door. Turn it clockwise 90 degree to lock the door. Turn it counter-clockwise 90 degree to unlock the door.

Before locking the unit, make sure the doors are fully closed.



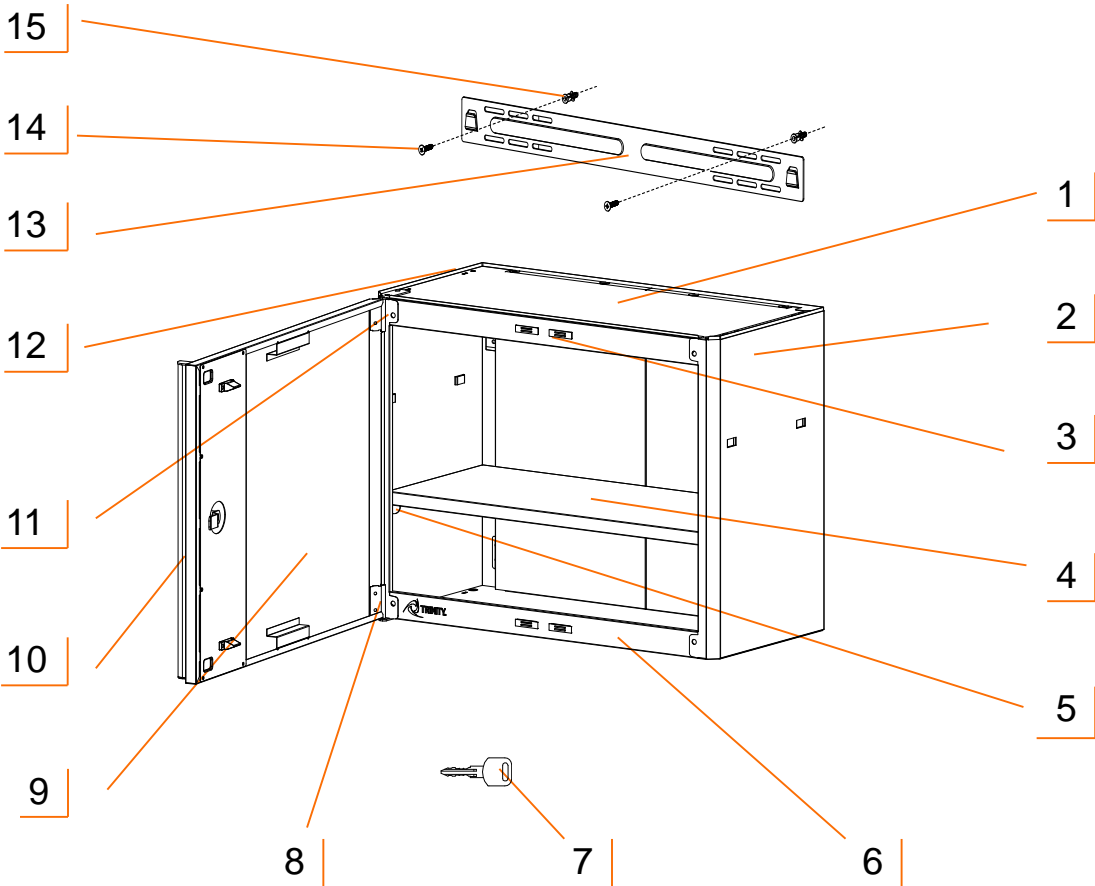
Red indicates locked



Green indicates unlocked

- Description**
- 1) Top Panel
 - 2) Cabinet Body
 - 3) Magnetic Catcher
 - 4) Shelf
 - 5) Shelf Support
 - 6) Bottom Panel
 - 7) Key
 - 8) Door Hinge-F

- Description**
- 9) Door
 - 10) Door Handle
 - 11) Door Hinge-G
 - 12) Black Screw
 - 13) Wall Bracket
 - 14) Mounting Screw
 - 15) Anchor



WARNINGS

1. **Read and understand all instructions.** Failure to follow all instructions may result in injury and/or damage.
2. **The warnings, cautions, and instructions discussed in this manual cannot cover all possible conditions or situations that may occur.** The user must always be aware of their environment and ensure that they use the product in a safe and responsible manner.
3. **Do NOT modify the product in any way.** Unauthorized modification may impair the function and/or safety of the product, and may affect the life of the product.
4. **Check for damaged parts.** Before using this product, carefully check that all parts are in good condition, and that the product will operate properly and perform its intended function. Check for damaged parts and any other conditions that may affect the operation of this product. Replace damaged or worn parts, and never use this product with a damaged part.
5. **Do NOT overload the product.**

Weight capacity of Shelf (evenly distributed)	50 lb
Total weight capacity of Cabinet (evenly distributed)	100 lb

CARE AND MAINTENANCE

- Avoid harsh, abrasive cleaners, and other corrosive chemicals.
- Do not use scouring pad for cleaning.
- This item is not certified for outdoor use.

1 YEAR LIMITED WARRANTY

24" Garage Wall Cabinet

International Industries warrants to the original consumer purchaser ("Purchaser") of the 24" Garage Wall Cabinet ("Product") that each Product shall be free from defects in workmanship and materials for a period of 1 year from the date of original purchase. Our obligation under this warranty shall be limited to repair or replacement of, or adequate compensation for the Product which shall not be greater than the amount of the purchase price of the Product, at the option, during the warranty period. All replaced parts and Products become our property and must be returned to us.

This warranty excludes normal wear and tear of the Product and its parts or components, and damage arising from any of the following: negligent use or misuse of the Product, use contrary to this User's Manual, or alteration by any one other than us. The warranty period of 1 year shall not be extended or renewed by the repair or replacement of, or compensation for, the Product. Any warranty implied by applicable law is limited in duration to one year from the date of purchase and is subject to the same conditions and limitations as is provided for our express warranty.

Except as set forth herein, and to the extent of applicable there are no warranties on this Product either express or implied, and we disclaims all warranties including, but not limited to, any implied warranties of merchantability, infringement or fitness for a particular purpose. No warranty or guarantee given by any person, firm, or corporation with respect to this product shall be binding on us.

LIMITATION OF REMEDIES AND LIABILITY

We (and its employees, officers, members, managers, affiliates an assigns) shall not be liable for any incidental, consequential, special, indirect, remote, special or punitive damages for breach of any warranty, express or implied, including, but not limited to, lost profits, lost savings, loss of anticipated benefits and attorneys' fees, which arise out of the purchase, use or inability to use the Product, whether arising out of contract, negligence, strict tort, product liability, or any other legal theory on which a claim is based. As noted above, to the extent damages are allowed by our express warranty or by applicable law, those damages may not exceed the purchase price paid for the Product. Without limiting the foregoing Purchaser assumes all risk and liability for loss, damage or injury to Purchaser and Purchaser's property and to others and their property arising out of the use, misuse, or inability to use this Product. This limited warranty shall not extend to anyone other than the original purchaser of this product, is nontransferable and states your exclusive remedy.

Some states do not allow the exclusion or limitation of incidental, consequential, special, or punitive damages, so the above limitation or exclusion may not apply to you. The above warranty gives you specific legal rights, and you may have other rights which vary from state to state.