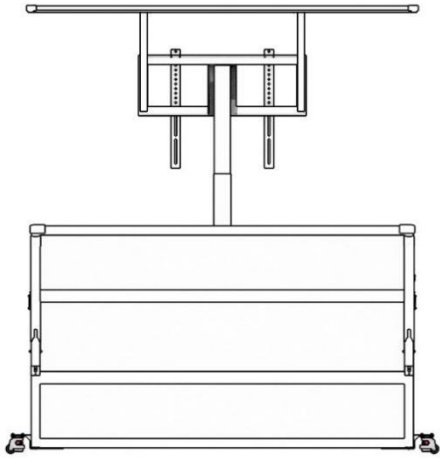


Intellicube Outdoor TV Cabinet

User Manual (For 65 TV Set)



Prefcae

Thank you for purchasing the Intellicube Outdoor TV Cabinet! Before using the product, please carefully read this manual and follow the steps provided. We hope the Intellicube Outdoor TV Cabinet brings more beauty and convenience to your life.

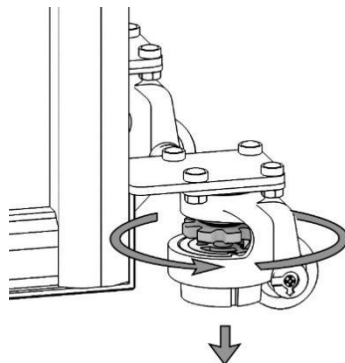
Installation Steps

Step 1: Unbox the Packaging

Unbox the carton and remove all packaging materials.

Set the packaging materials aside and recycle them in an environmentally friendly manner.

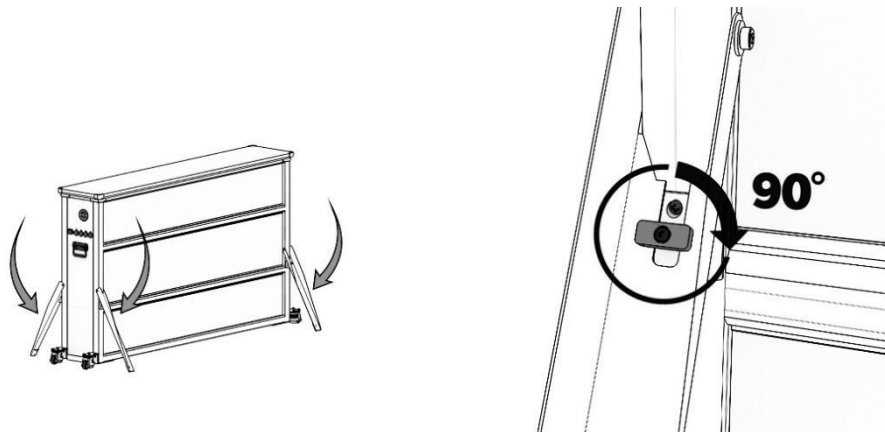
Step 2: Lock the Casters



If you do not want the TV cabinet to move freely, rotate the red, toothed part of the caster. This will allow the black cylindrical part to drop down, supporting the caster off the ground, thereby locking it in place.

Step 3: Install the Folding Brackets

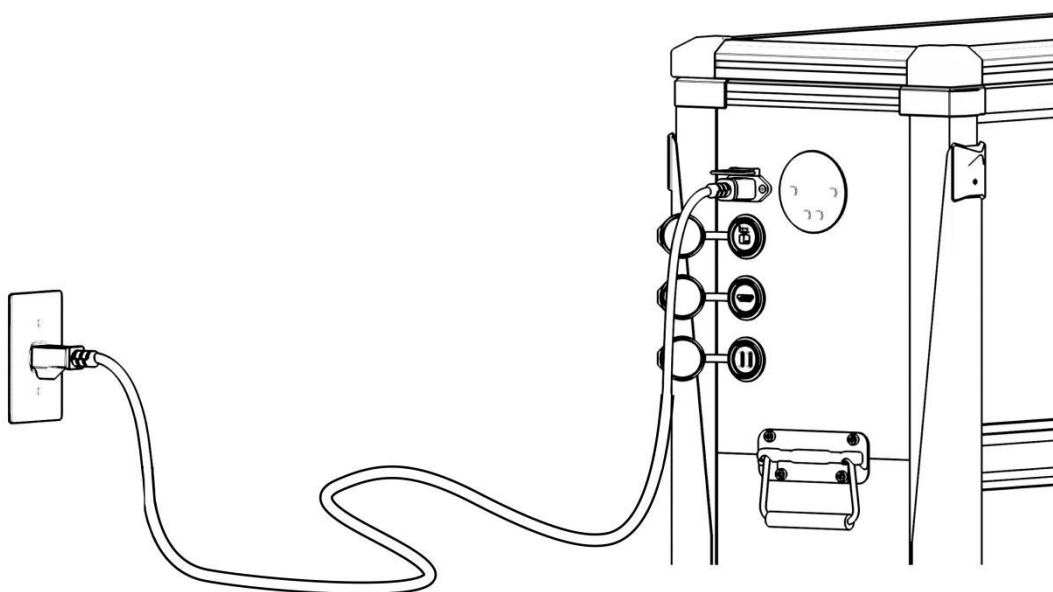
This TV cabinet comes with four folding brackets to enhance stability.



To open the brackets: Gently detach the brackets from the cabinet and rotate them to an appropriate angle until the ends of the brackets make contact with the ground.

Ensure the notched part of the folding bracket aligns with the small plastic piece. Once aligned, rotate the plastic piece 90° to lock the bracket in place.

Step 4: Connect the Power Supply

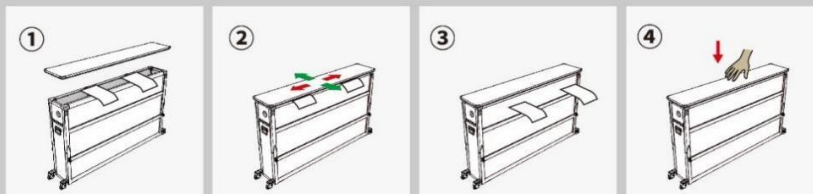


Take the power cord from the packaging. Plug one end into the wall socket and the other end into the power port of the cabinet. Once connected, the control panel light will turn on, indicating the power connection is successful.

Step 5: Attach the Cover

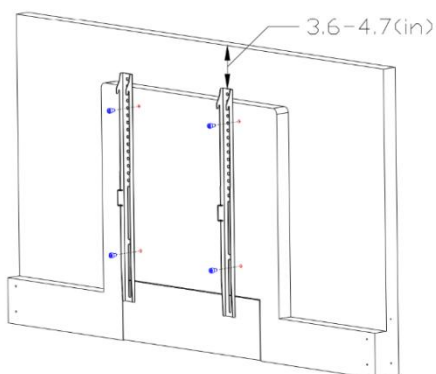
Instructions for installing the cover plate:

- **Step 1:** Place two pieces of A4 paper at the positions shown in the diagram.
- **Step 2:** Put on the cover plate and move it back and forth, left and right, so that the edges of the cover plate can exactly wrap around the cabinet below.
- **Step 3:** Remove the two pieces of A4 paper.
- **Step 4:** Press firmly on the upper cover plate until the hook-and-loop fasteners on the cover plate fully adhere to those on the TV stand.



Follow the instructions to securely attach the cover to the TV bracket.

Step 6: Install the TV



6.1 Install the Mounting Bracket:

Remove one of the TV mounting brackets and place it on the back of the TV. Ensure the bracket is oriented as shown in the diagram, with the top edge of the bracket approximately 3.6-4.7 inches from the top edge of the TV.

6.2 Secure the Mounting Bracket:

Based on the previous step, use screws to secure the mounting bracket to the TV, following the diagram's instructions.

6.3 Hang the TV:

Hang the TV onto the bracket. If necessary, loosen the screws on the mounting bracket to make the process easier. If there is interference with the top cover during installation, remove it and reattach it as described in Step 5 after the TV is installed.

Tips: The cable carrier is in an open position to allow easy routing of low-voltage cables. It should be closed afterward.

Control Panel



Regarding the operation panel, there are four keys on it. The up and down keys can be used to raise or lower the device with a single press. Among the two lower keys, one is the light selection switch. Press it to select different light types. The other key is the self-learning button. After pressing and holding it for 5 seconds, the lifting structure will enter the self-learning mode to find its lowest and highest points. During this time, do not interfere with it. Let it lower to the lowest position first, then rise to the highest, and when it descends again, the self-learning is completed. Subsequent lifting and lowering operations will be carried out within this highest and lowest range. This key has been set before leaving the factory, so users do not need to reset it by themselves. If the lifting function is used frequently, the "HOT" status shown in the picture will appear on the controller panel. At this time, the lifting function will be unavailable. This is a program set to protect the motor. To release this status, you can turn off the power and then restart it, or just let the device stand still for 5 minutes, after which it will return to normal.

What kind of TV sets is suitable for

It can be used for TVs up to 65 inches with a weight of no more than 120 pounds, a thickness of no more than 4 inches, a width of no more than 57.8 inches, and a height of no more than 34 inches.

Usage Precautions

1. Risk Warning: Do not touch the TV cabinet while it is lowered.
2. Please do not place the TV stand in a low-lying area where water may accumulate.
3. Thunderstorms: Do not use the TV cabinet during thunderstorms. Unplug the power cord to prevent lightning strikes.
4. Strong Winds: Avoid using the TV cabinet during strong winds. The product can withstand wind up to level 4, and even with the TV stored in the cabinet, it can only resist wind up to level 5. In the case of strong winds, move the TV cabinet to a sheltered location.
5. Moving the Cabinet: When moving the TV cabinet, ensure the TV is lowered, and at least two people should cooperate to avoid tipping the cabinet.
6. Usage: Do not lean on, push, or forcefully move the cabinet to avoid damage.

Thank you for choosing Intellicube products. We hope you enjoy using your new TV cabinet! If you have any questions, feel free to contact our customer service. <https://www.theintellcube.com>

SAFETY WARNINGS

1. If the power cord is damaged, stop using the product immediately to prevent short circuits or electric shock.
2. Do not immerse this unit in water. Disconnect power during rain to avoid risk of electric leakage.
3. In severe weather conditions (e.g., storms, strong winds), store the unit indoors promptly to prevent injury from tipping over.
4. During high winds, secure the unit to prevent it from falling. Never climb on the unit, as it may cause impact injury. (Do not place the unit near air vents or other areas with strong airflow.)
5. Before use, ensure the unit is placed on stable ground. Do not operate if it is unsteady, to prevent tipping. (For added stability, place it against a wall. If used in an open area, implement additional securing measures.)
6. Children must be supervised by an adult. Do not allow children to operate or play around the unit without supervision.
7. Never disassemble or modify any part of the unit, as this may cause a safety hazard.
8. Disconnect the power supply (unplug from outlet) before cleaning, servicing, or moving the product. Failure to disconnect power may result in electric shock.
9. Before use, read the instruction manual carefully. Follow all operating procedures. Any misuse may result in risk of injury or damage.