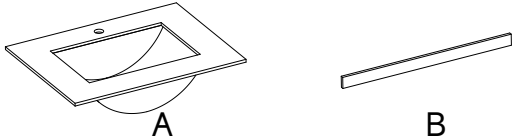


# Installation & Assembly

## Wash basin

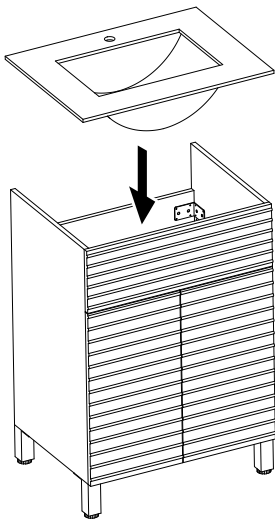
Part



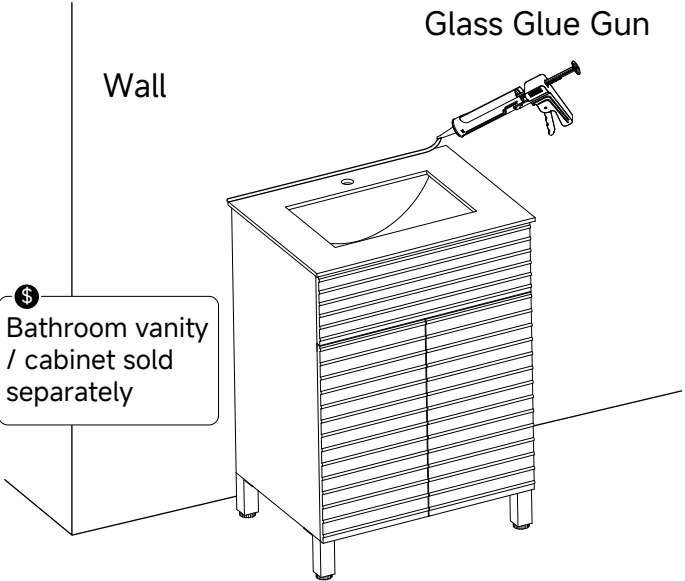
Tools (Not Included)



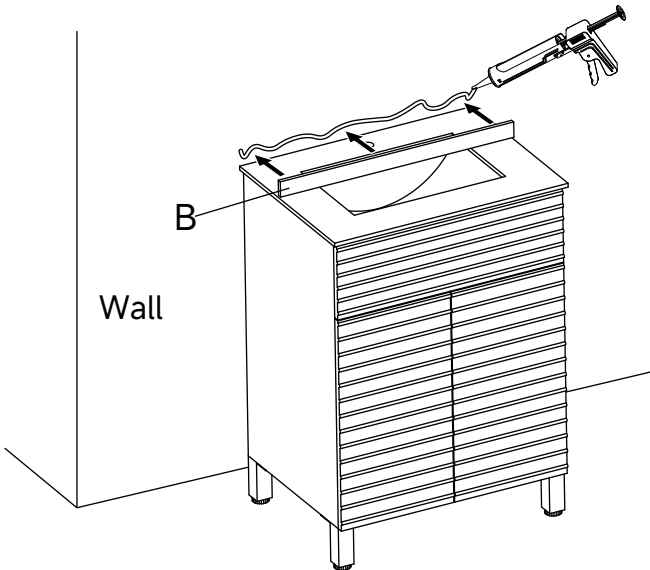
STEP 1



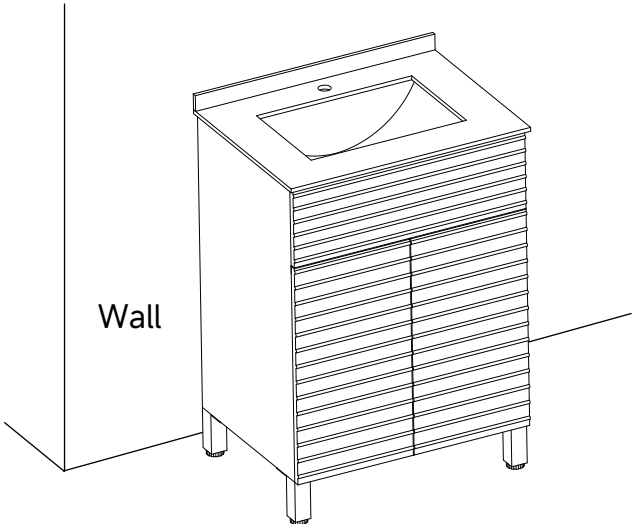
STEP 2



STEP 3



Completed

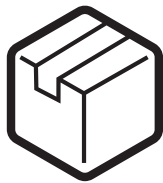


# Warranty

Thank you for your purchase. We would love to hear your feedback on the use of our product and would greatly appreciate your suggestions. If you have any dissatisfaction with our products or want to return them, please contact our store or you can contact us through the email below. We are online for 18 hours waiting for your message.

# Service

Looking forward to the completed product after assembly! As all our products are handmade, some uncontrollable factors may arise. If you encounter any quality issues with the product or experience difficulties during assembly, please do not do not panic! Kindly contact us as soon as possible. Our customer service team will provide you with the fastest solution and offer you quality and professional service.



Replacement



You

You don't have to worry about re-packaging / schedule pick-up.