

24" Industrial Metal Counter Bar Stool

OUR BRAND

Since 2013, has been dedicated to providing customers with quality products and exceptional service and has prospered into one of the nation's largest retailers of indoor and outdoor home décor. Every product is carefully selected to ensure they meet our standards as well as your standards. We believe quality should never be determined by price which is why is committed to providing high end merchandise at the absolute lowest cost.

PLEASE LIKE, COMMENT AND FOLLOW.



Estimated Time for Assembly

05:00



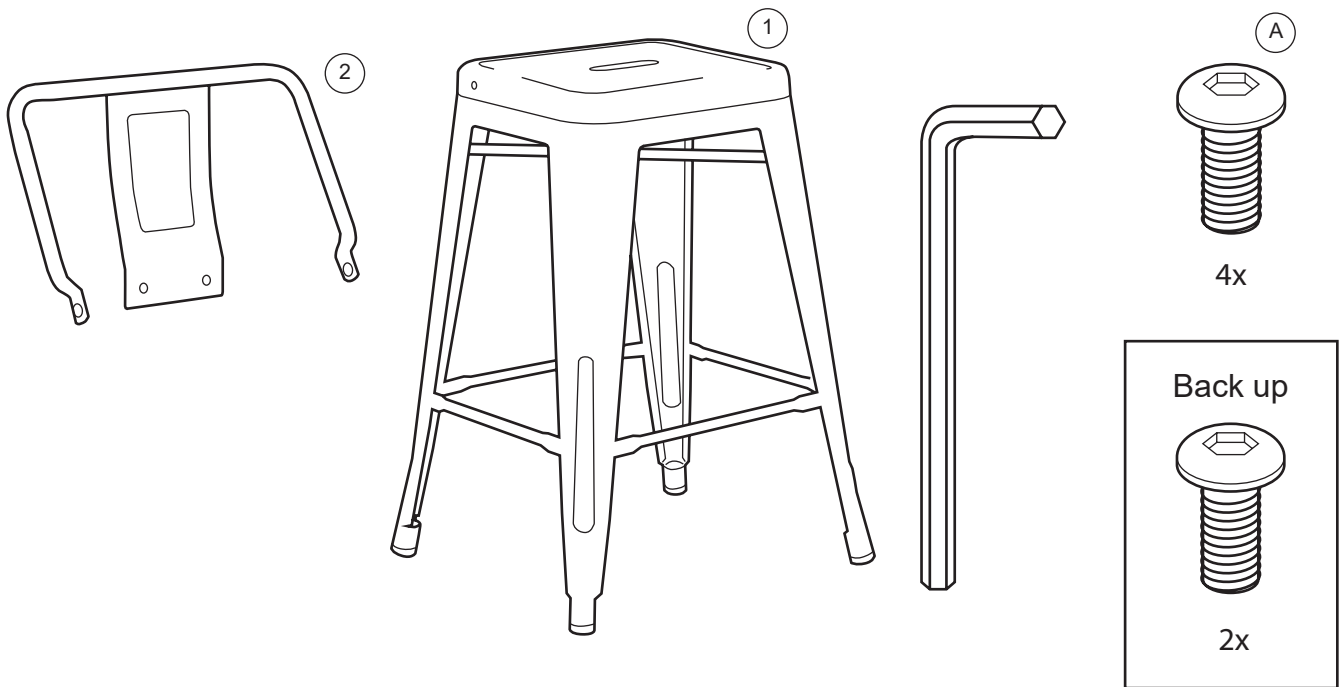
Weight Limitation

300 lb

Tools Needed

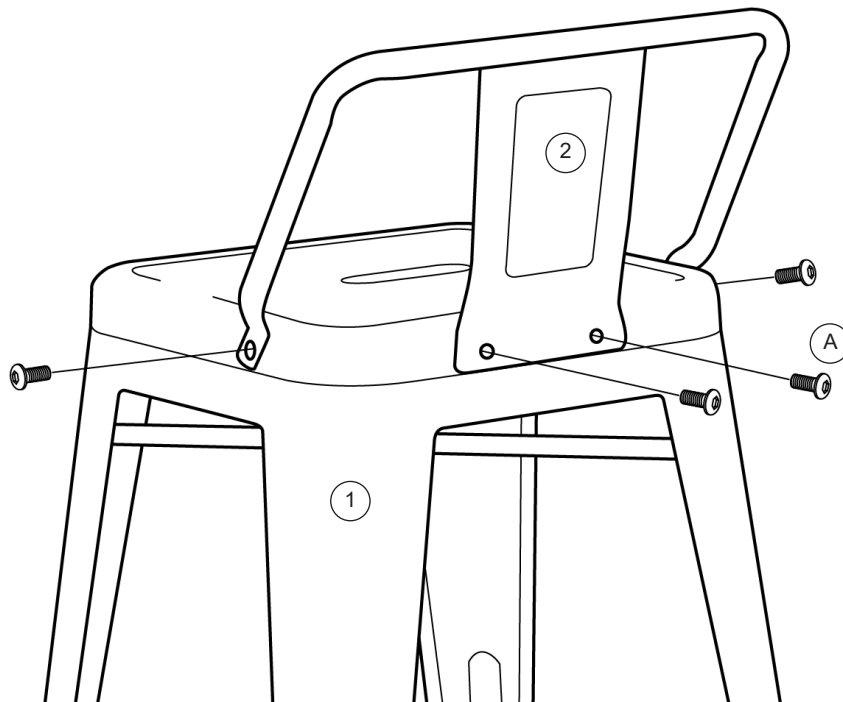
All necessary tools are included in the package.

PACKAGE CONTENT



Installation Instruction

1

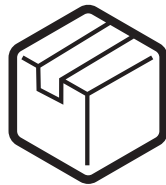


Warranty

products come with a 1 year warranty from the date of purchase. In any event that the product arrives damaged or missing parts, we are more than happy to provide you with replacement part(s).
Register your product on our website to enjoy extended warranty!!



Contact Us



Replacement



You

You don't have to worry about re-packaging / schedule pick-up.