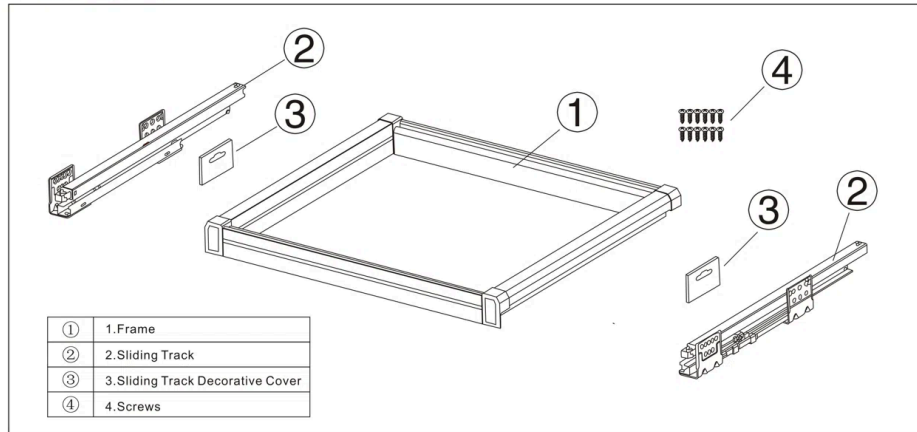
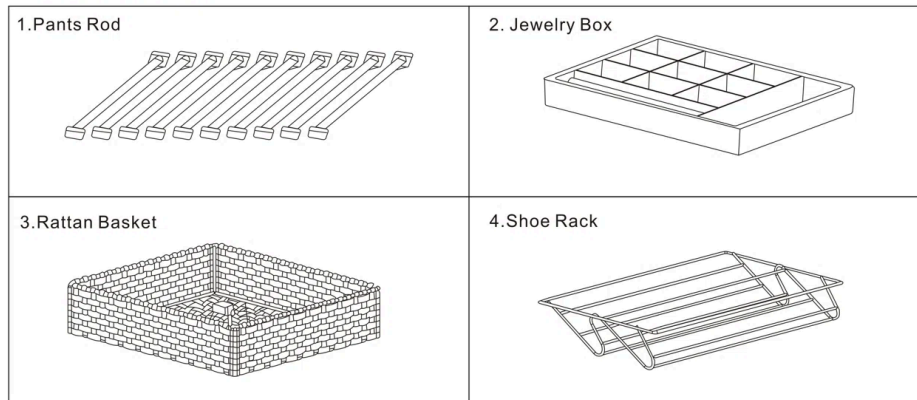


Accessory Diagram

Basic Components



Optional Accessories



Note: The diagrams are for reference only. The actual specifications, sizes, and quantities of components are based on the kit purchased.

Important Notes:

- Track movement is not smooth or jumps?
-When installing the track, make sure to prevent sawdust or other debris from falling into the track.
- Track is not sliding smoothly?
-Check if the frame and cabinet dimensions meet the required standards; ensure the frame is not deformed; verify that the front and rear positions of the left and right tracks are aligned. Check if the left and right tracks are on the same horizontal level.
- Quick installation feature doesn't work?
-Ensure the front and rear installation positions of the left and right tracks are aligned.
- Frame won't close properly?
-Check if the front and rear installation positions of the left and right tracks are aligned and whether the clips are properly engaged.