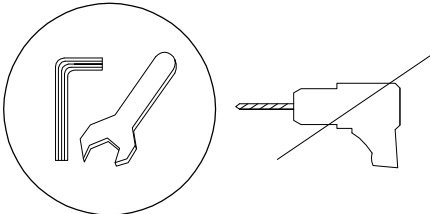
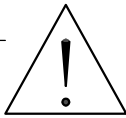
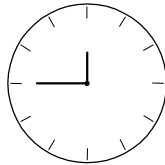
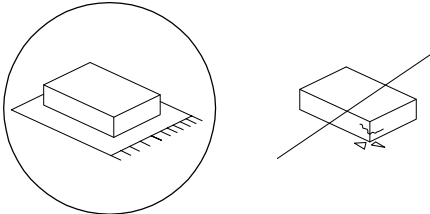
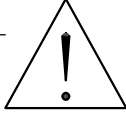
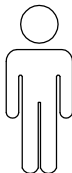
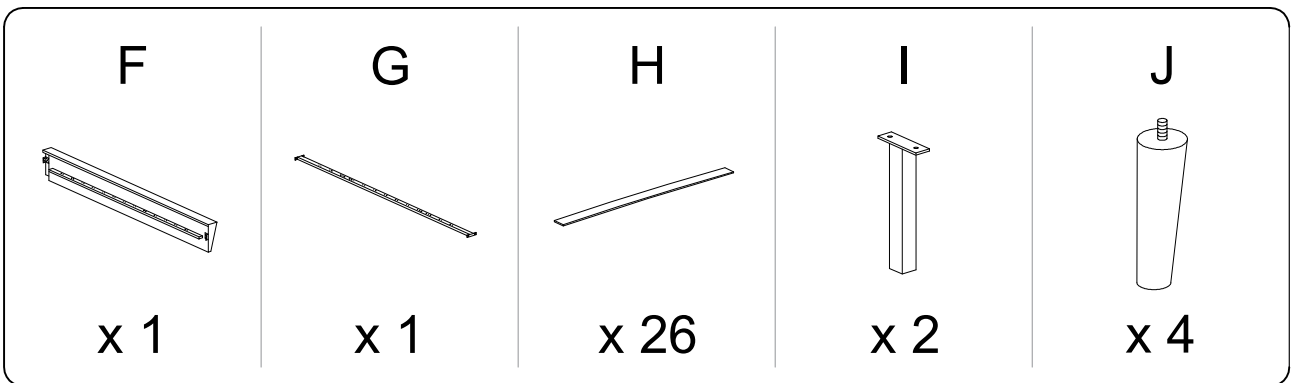
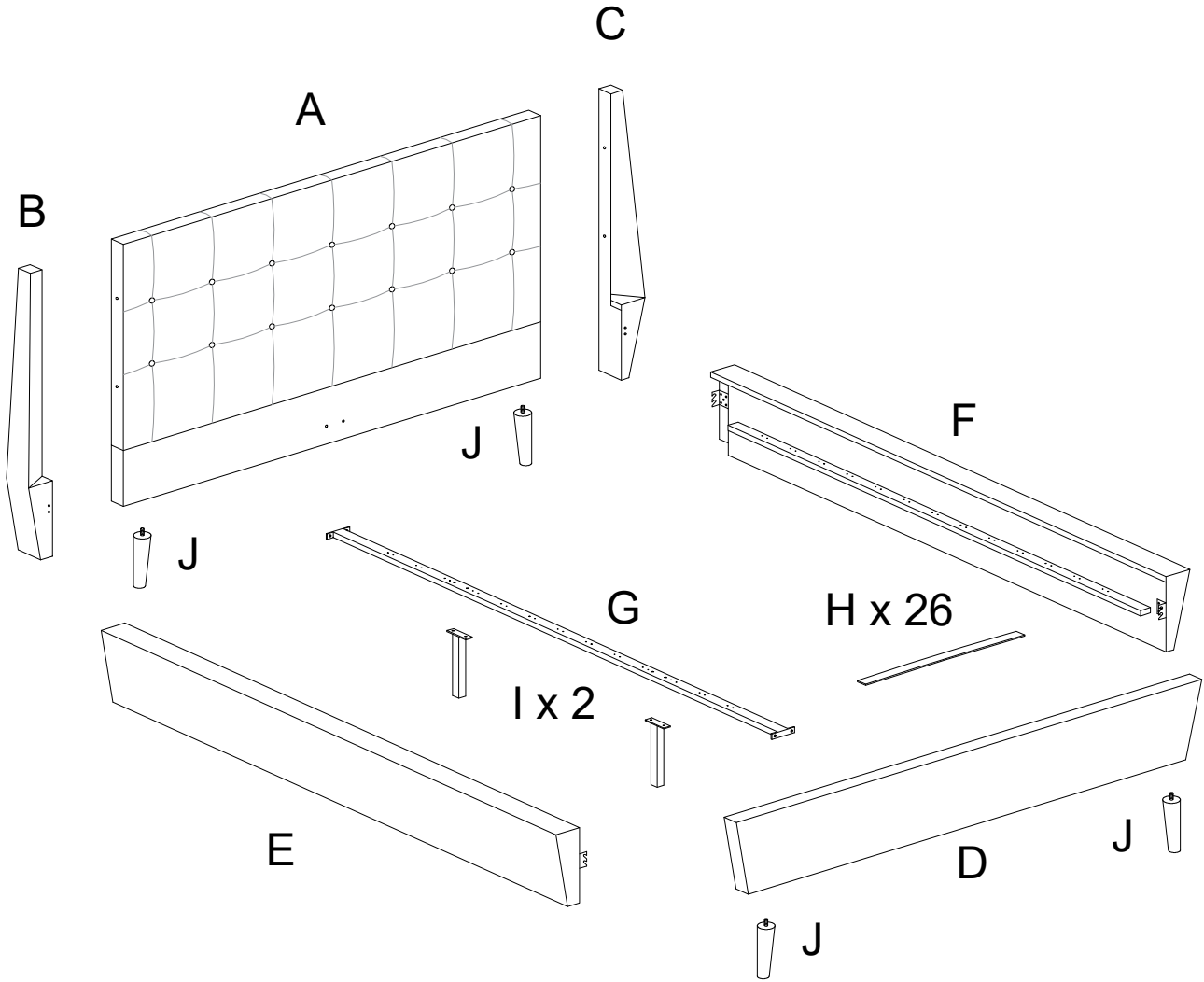
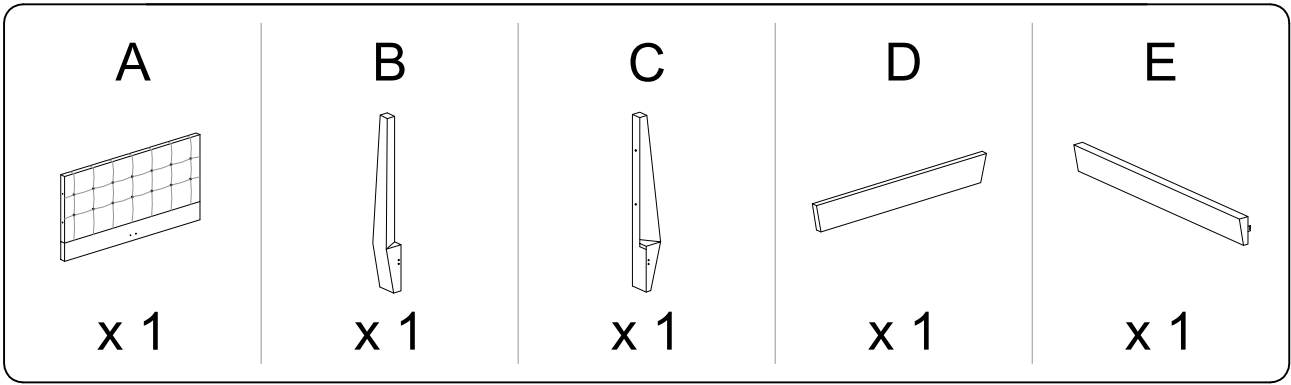
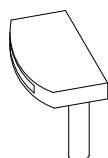


| | | |
|---|---|---|
|  |  |  |
| | | 45' |
|  |  |  |
| | | 2 |

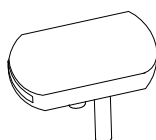


K



x 26

L



x 13

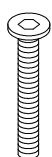
M



M8
x
30

x 8

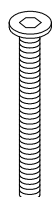
N



M8
x
40

x 8

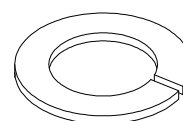
O



M8
x
60

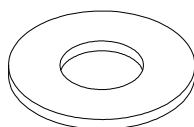
x 4

P



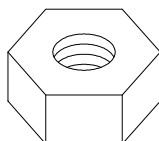
x 20

Q



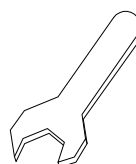
x 20

R



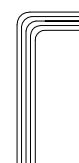
x 4

S



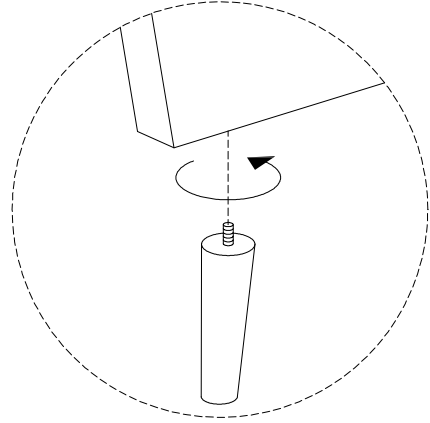
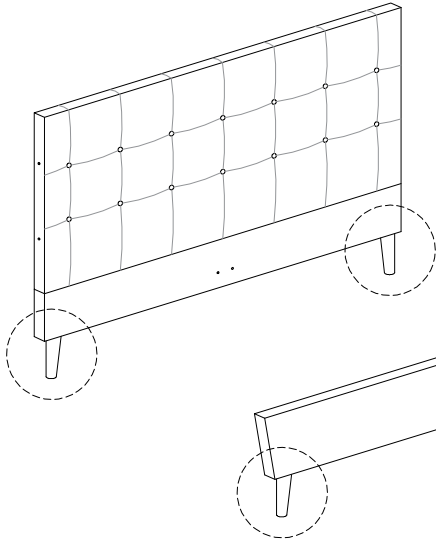
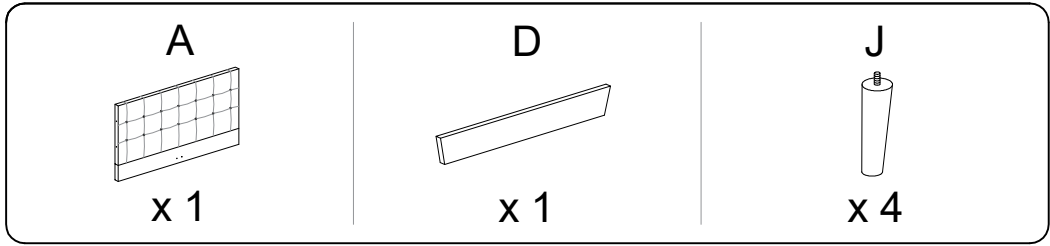
x 1

T

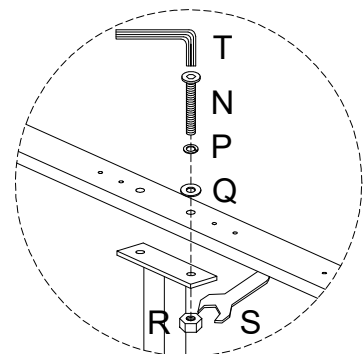
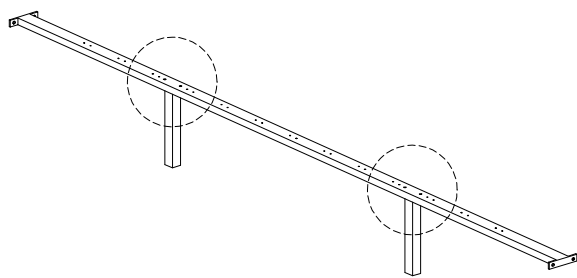
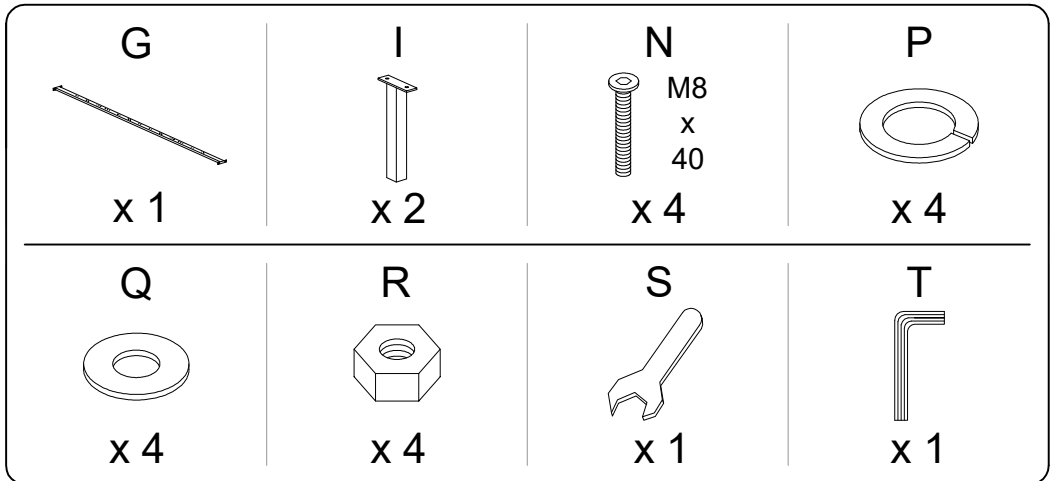


x 1

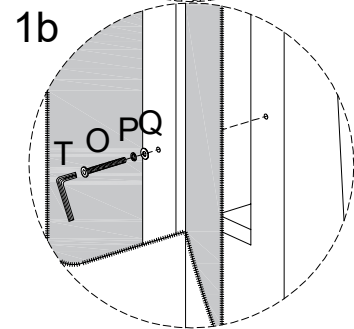
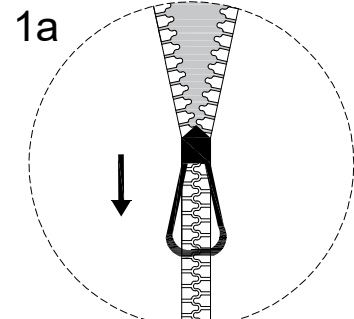
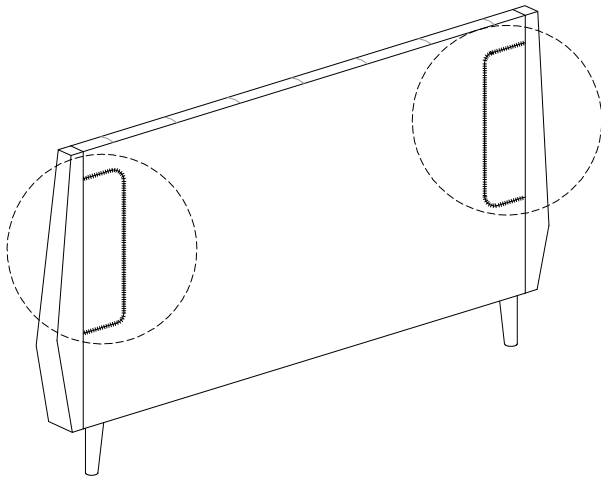
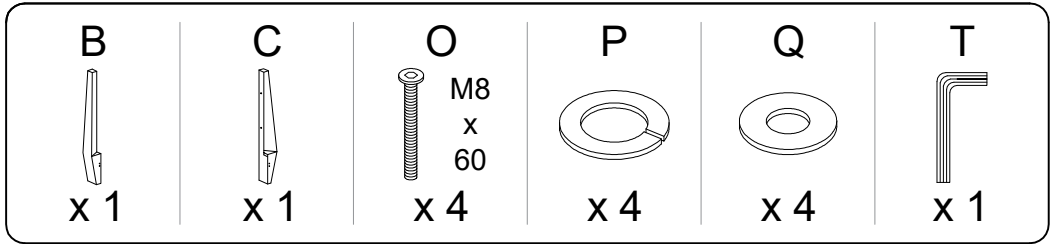
1



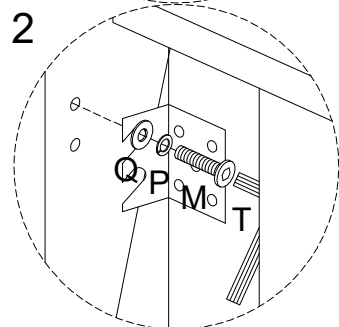
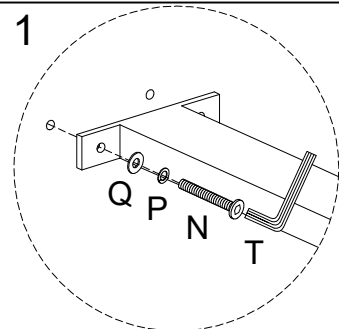
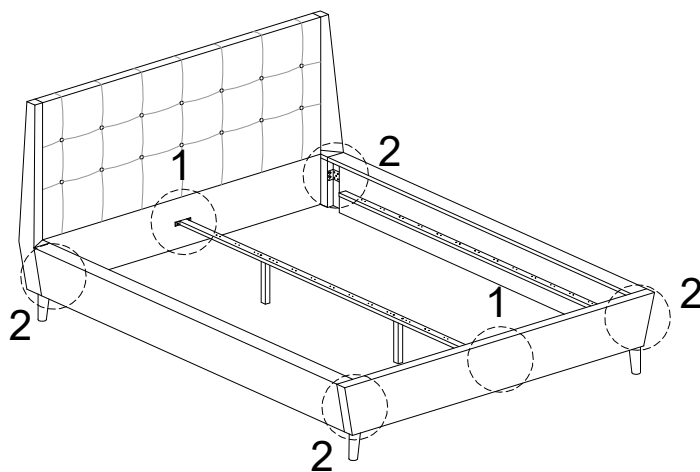
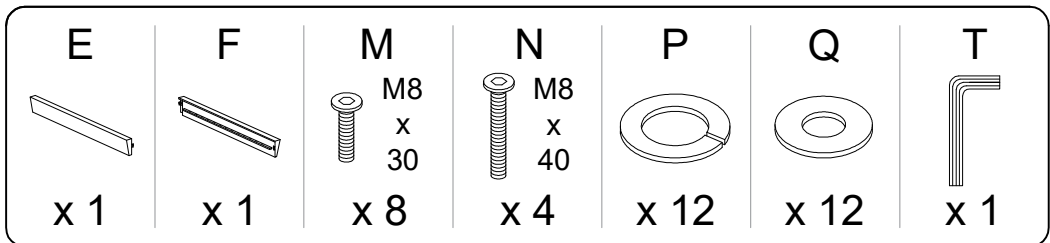
2



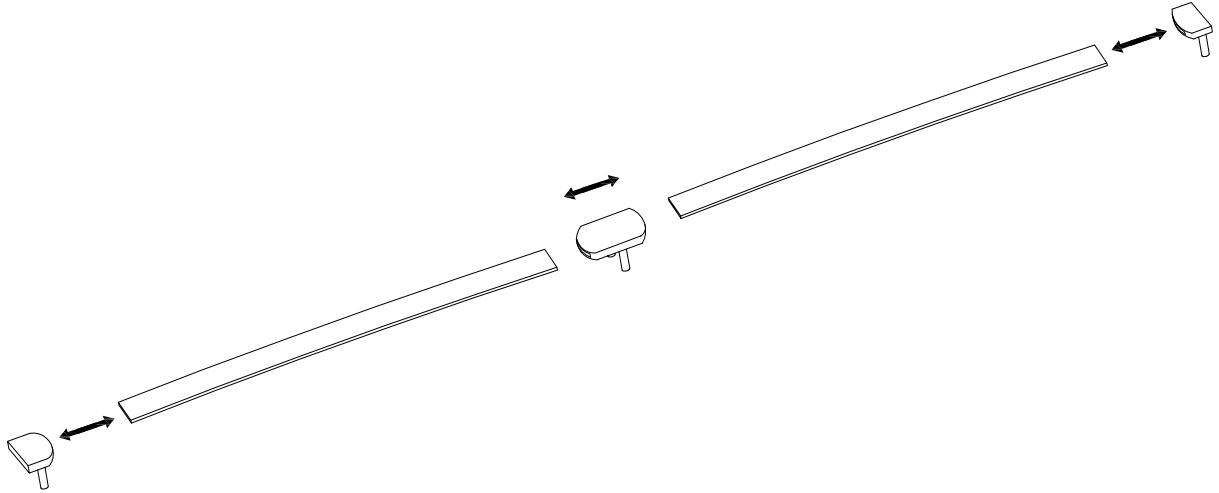
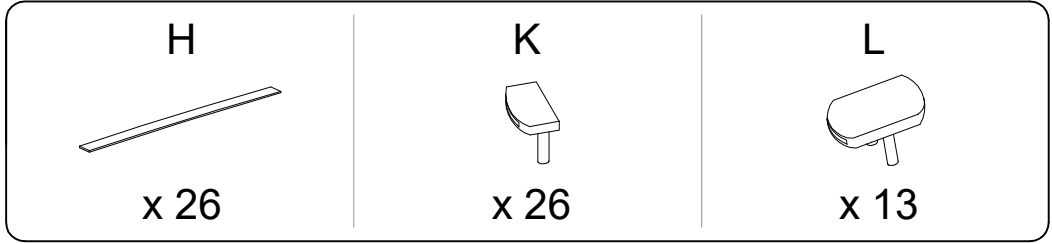
3



4



5



6

