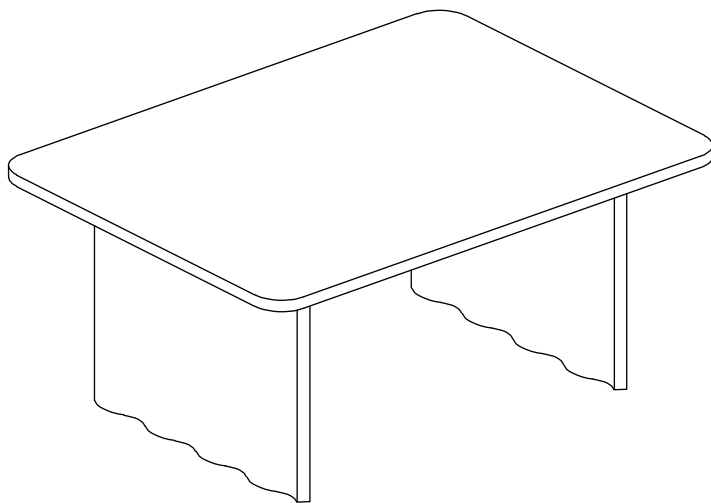


# YURINA RECTANGLE WOOD COFFEE TABLE

DESIGN #SFV4222

Assembly Instructions



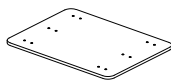
**SAFAVIEH**  
C O U T U R E

# Thanks for bringing Safavieh Couture into your home

Everything we make is incredibly simple to set up, including your new table. You won't need any additional tools.

## Parts List

A x 1  
TABLE TOP



B x 2  
LEGS



## Hardware List

HW1 x 12  
Bolt M8x40mm



HW2 x 12  
Flat Washer M8x16mm



HW3 x 12  
Spring washer M8x14mm

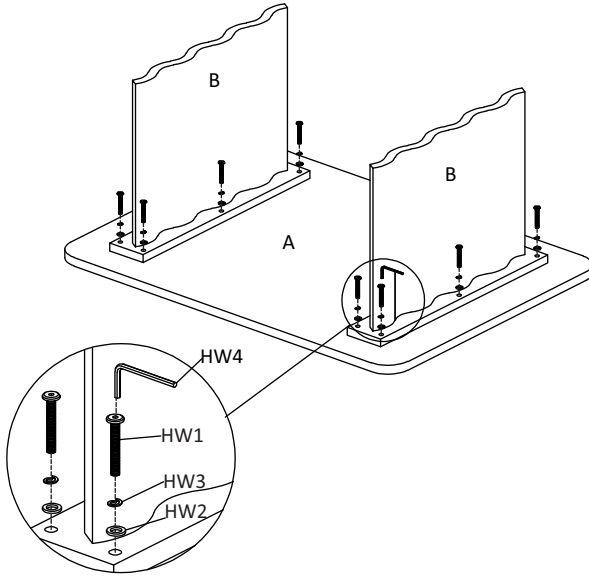


HW4 x 1  
Allen key



1

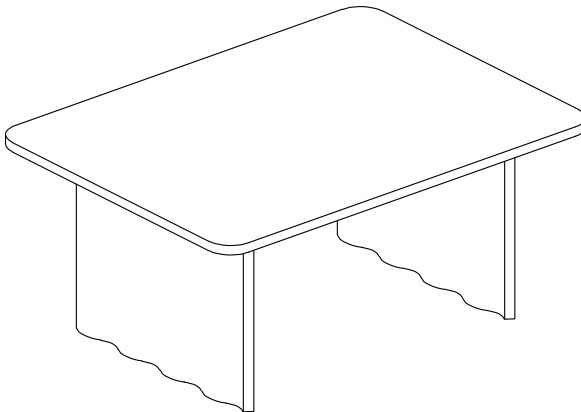
Place the table top (A) upside down on a soft surface. Put the Spring washers (HW3) and Flat washers (HW2) on the Bolts (HW1). Attach the legs (B) to the table top (A) by using the Allen key (HW4) to screw in the Bolts (HW1) with washers.



2

Place the coffee table in the place where you will use it. We'd love to see it – just tag us (we're @safavieh) and use the hashtag #safavieh on Instagram!

@safavieh



**Need help?**

Feel free to contact us via email or call  
if you have any specific questions!

**contact us:**

[cs@safavieh.com](mailto:cs@safavieh.com)

866-422-9070