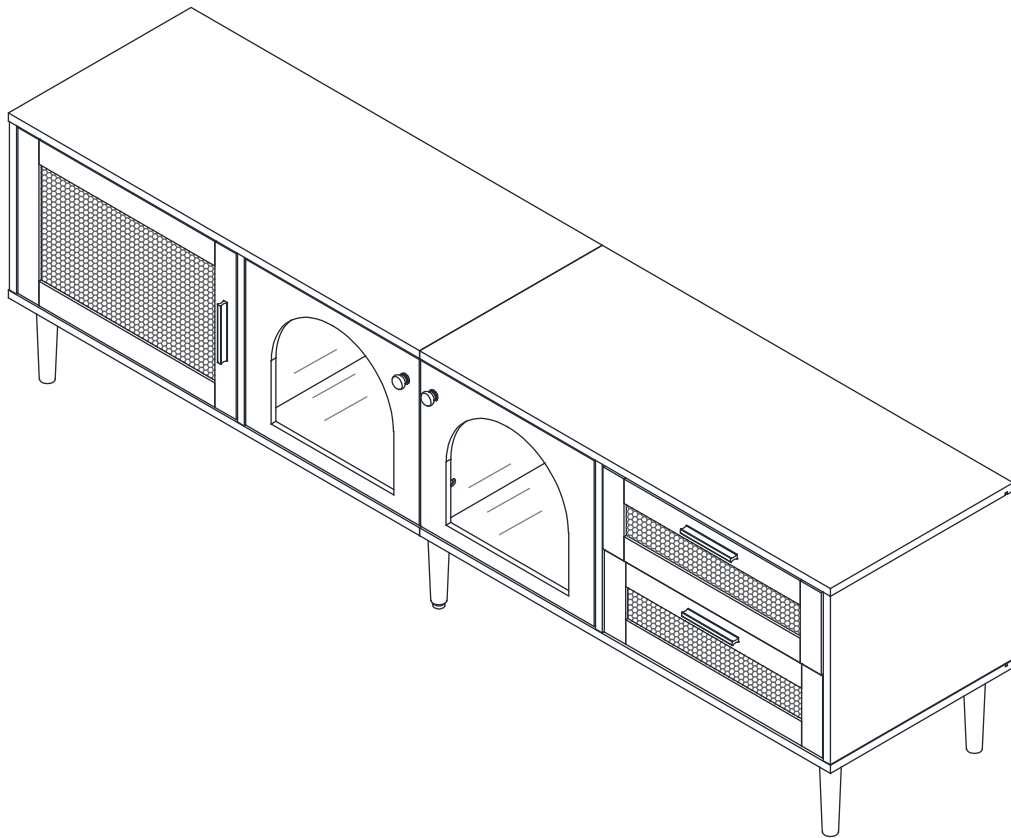


# TV STAND

## *USER MANUAL*



**SAVE THESE INSTRUCTIONS FOR FUTURE USE**

**PLEASE DO NOT RETURN TO STORE**



**Please do not return this product to the retailer!!  
We are able to assist you in ANY way**

If you find that you have any trouble with assembly or missing or damaged parts please contact the seller.

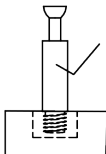
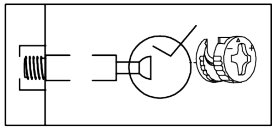
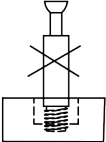
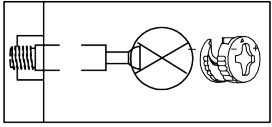
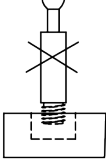
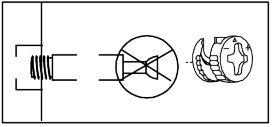
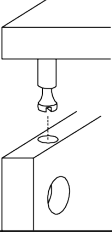
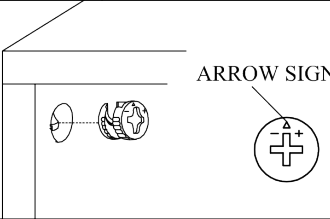
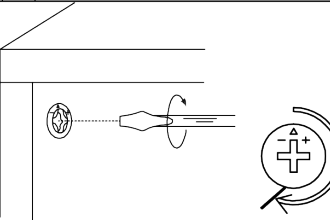
# Before Installation

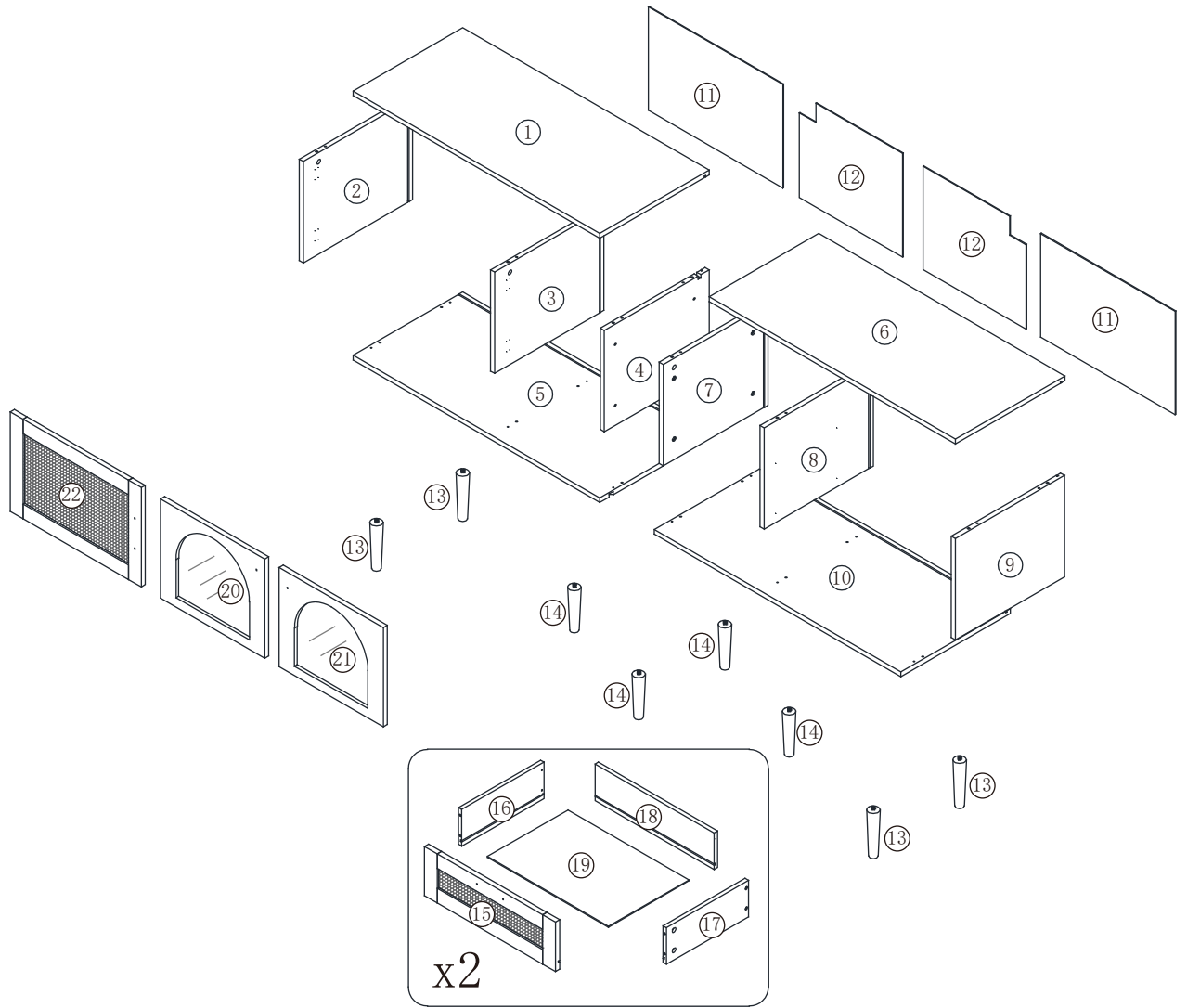
Important – Please read these instructions fully before starting assembly

Thank you for purchasing this quality product. Be sure to check all packing materials carefully for small parts, which may have come loose inside the carton during shipment. Identify and count all items according to the PARTS LIST and/or HARDWARE LIST shown below. Check you have all the components and tools listed on the following pages.

- We recommend that you assemble this product with the assistance of another person; this will make the assembly easier, and will help eliminate damage to the product or injury to persons during assembly.
- Please do not over tighten screws or bolts until the assembly is completed.
- Keep children and animal away from the work area, small parts could choke if swallowed.
- Please put all parts on a non-abrasive floor before assembly, and follow the assembly steps to assemble your newly purchased product correctly and efficiently.

## Cam Lock Assembly Instructions

		Diagram A Insert Cam Bolt into hole as shown in diagram A.
		Diagram B Make sure not to insert the Cam Bolt: Too deep as shown in figure B as this will cause the Cam Lock to be misaligned and unable to interlock properly.
		Diagram C Also avoid inserting the Cam Bolt too close to the surface of the hole as shown in figure C, as this will cause the Cam Lock to be too loose, and not interlock properly.
		Connect the panels together.
		ARROW SIGN Insert the Cam Lock so the side opening fits over the head of the Cam Bolt.
		To tighten the Cam Lock, turn it clockwise on half a turn with a flat screwdriver. <i>*Do not use an automatic screwdriver as it may bend or break if too much power is imposed.</i>



Ax20 	Bx20 	Cx24 M6x30 	Dx12 M4x40 	Ex 8 M4x30 	Fx16 M3x12 
Gx18 M3x14 	Hx36 M4x14 	Ix32 M4x12 	Jx8 	Kx4 M6x18 	Lx1 
Mx6 	Nx2 M4x35 	Ox8 M4x18 	Px3 	Qx2 	Rx4 
Sx4 	Tx20 	Ux16 	Vx2 	Xx2 	
Yx1 	CRx2 300mm 	CLx2 300mm 	DRx2 300mm 	DLx2 300mm 	

# STEP 1

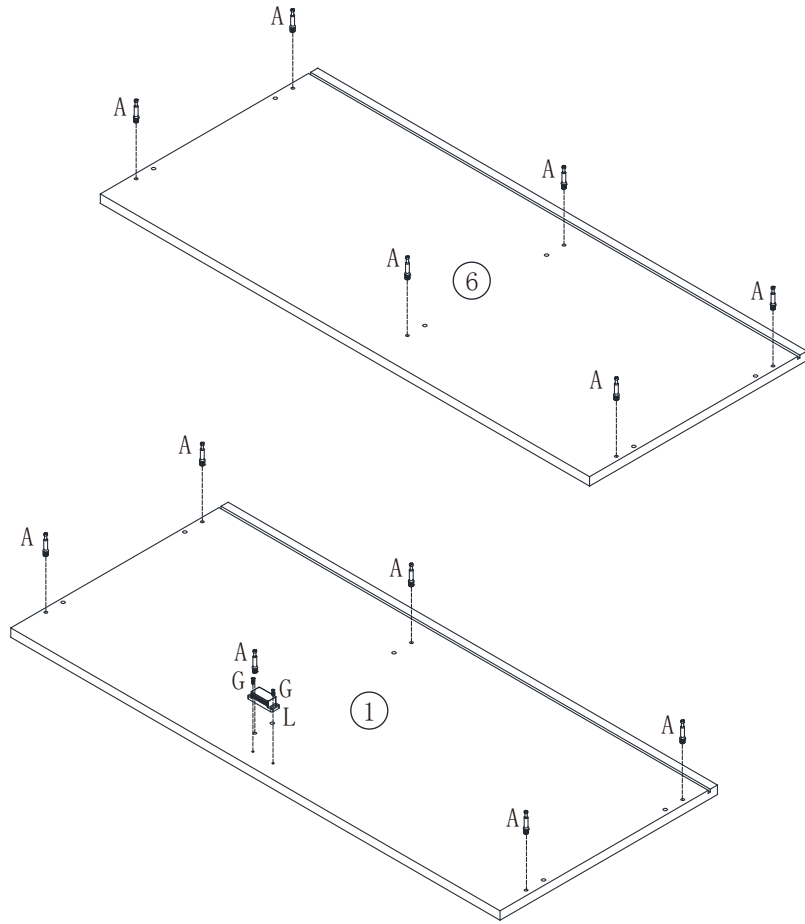
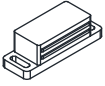
Ax12



Gx2



Lx1



# STEP 2

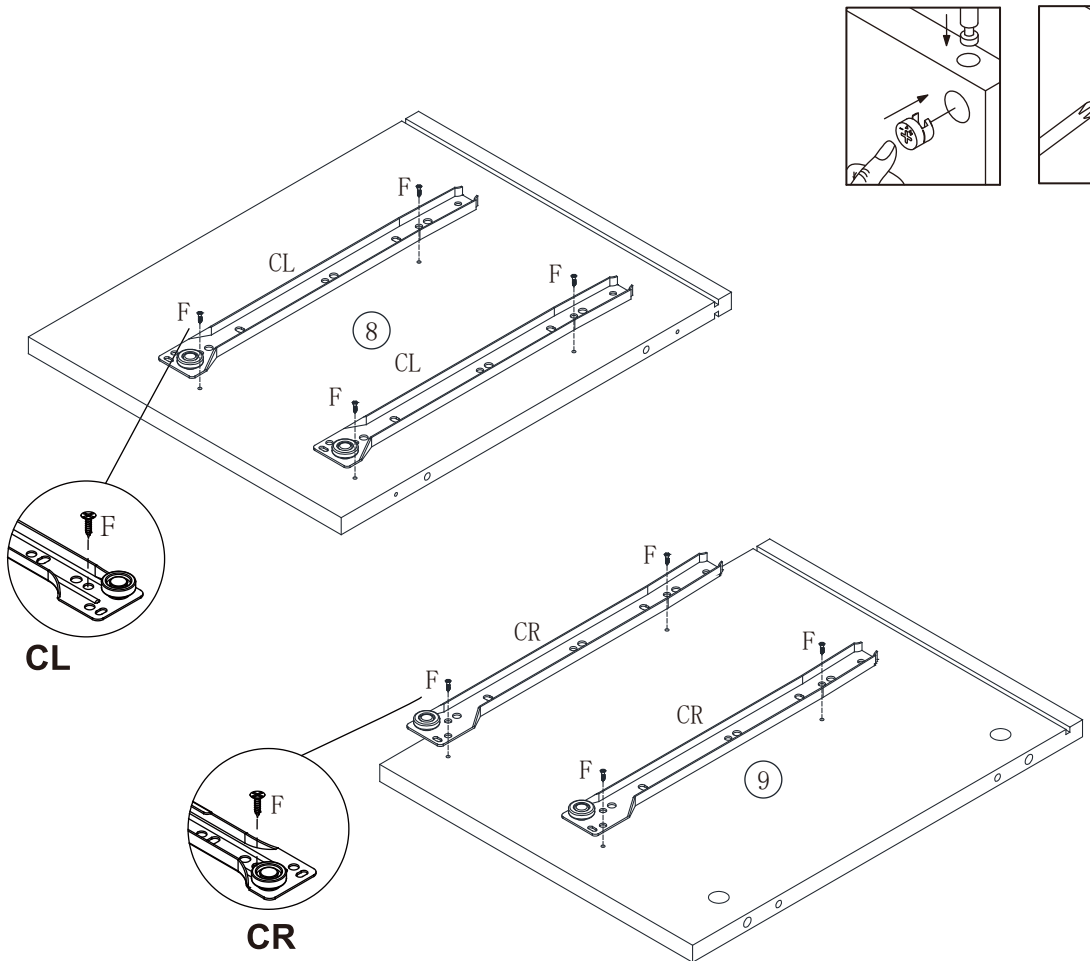
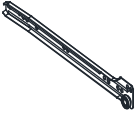
Fx8



CLx2



CRx2

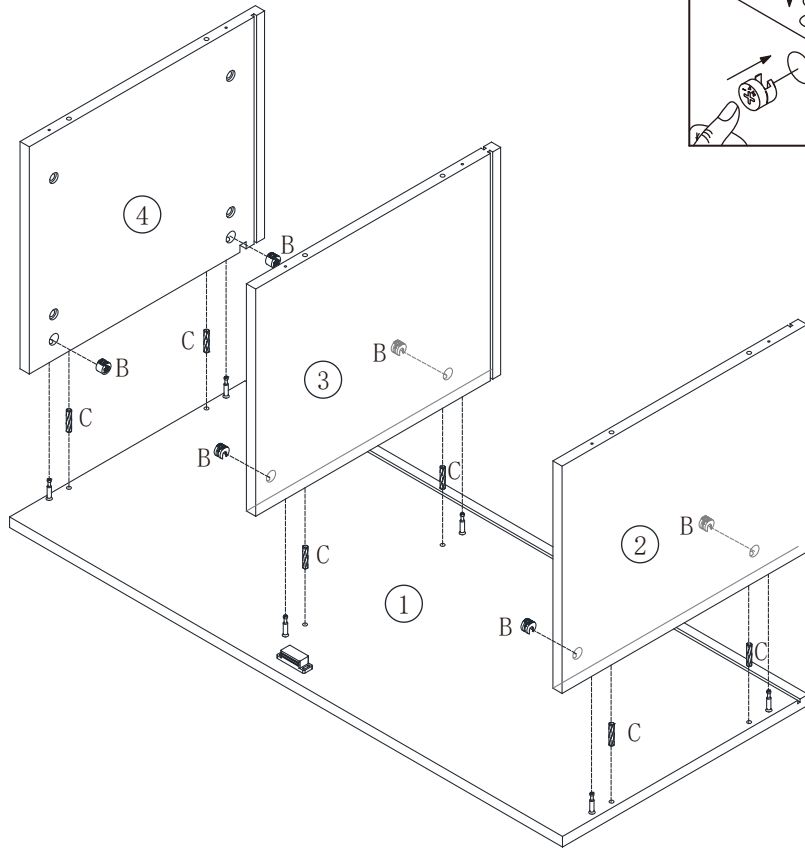


# STEP 3

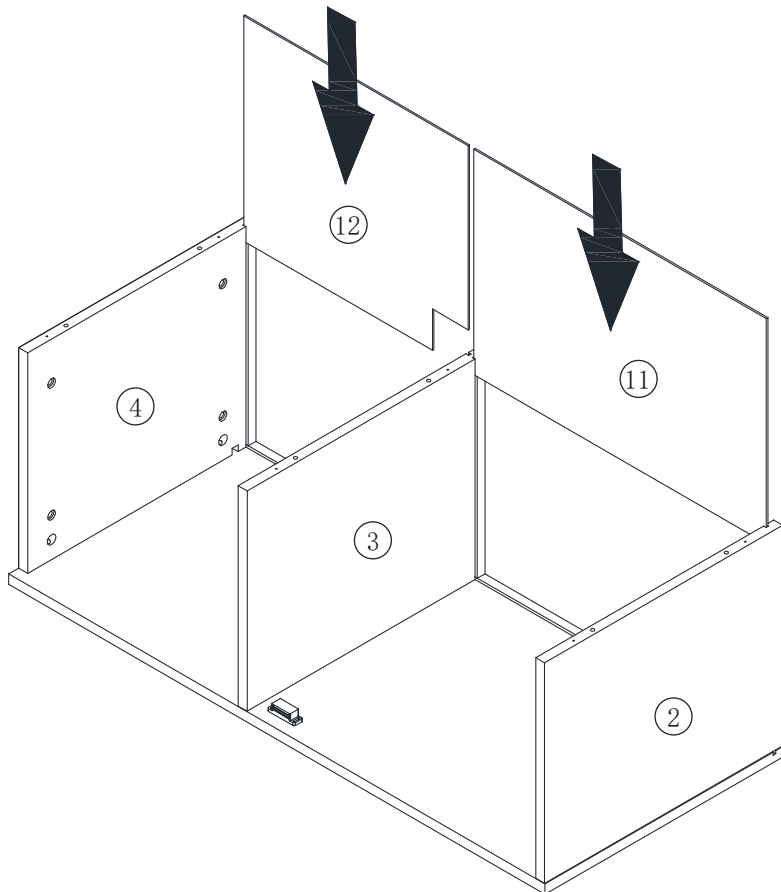
Bx6



Cx6



# STEP 4

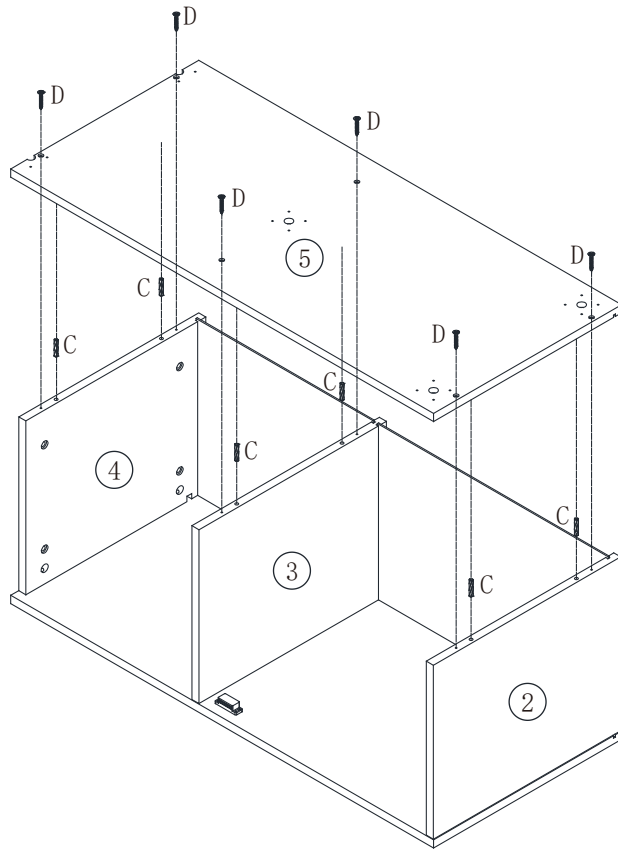


# STEP 5

Dx6



Cx6

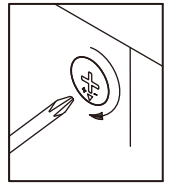
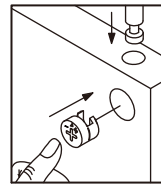
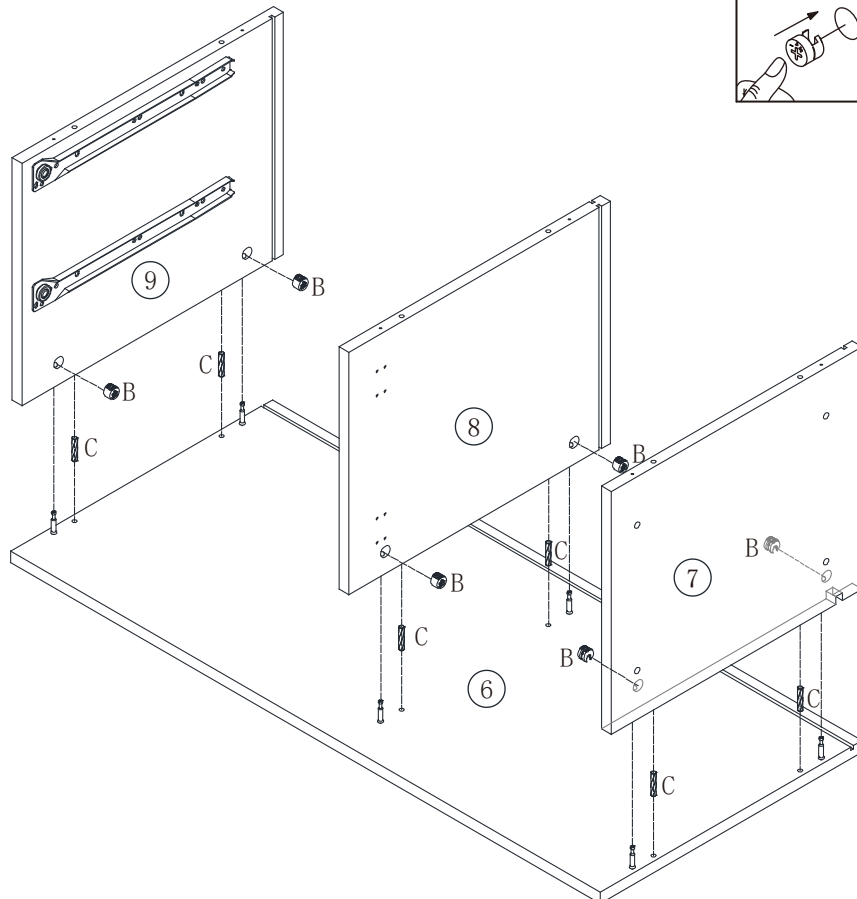


# STEP 6

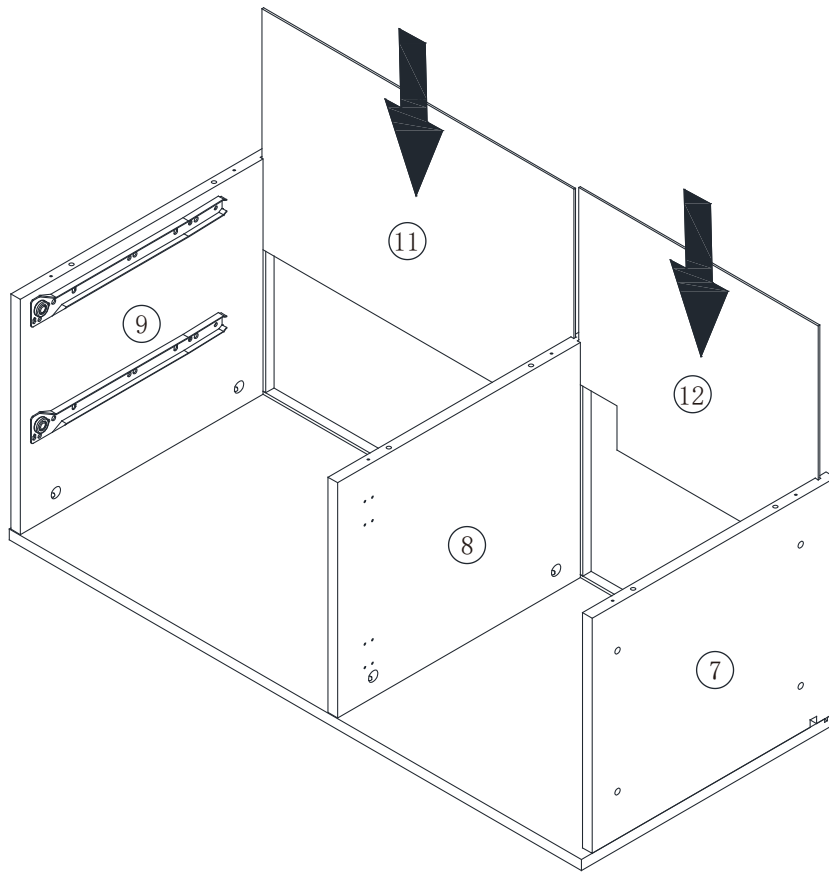
Bx6



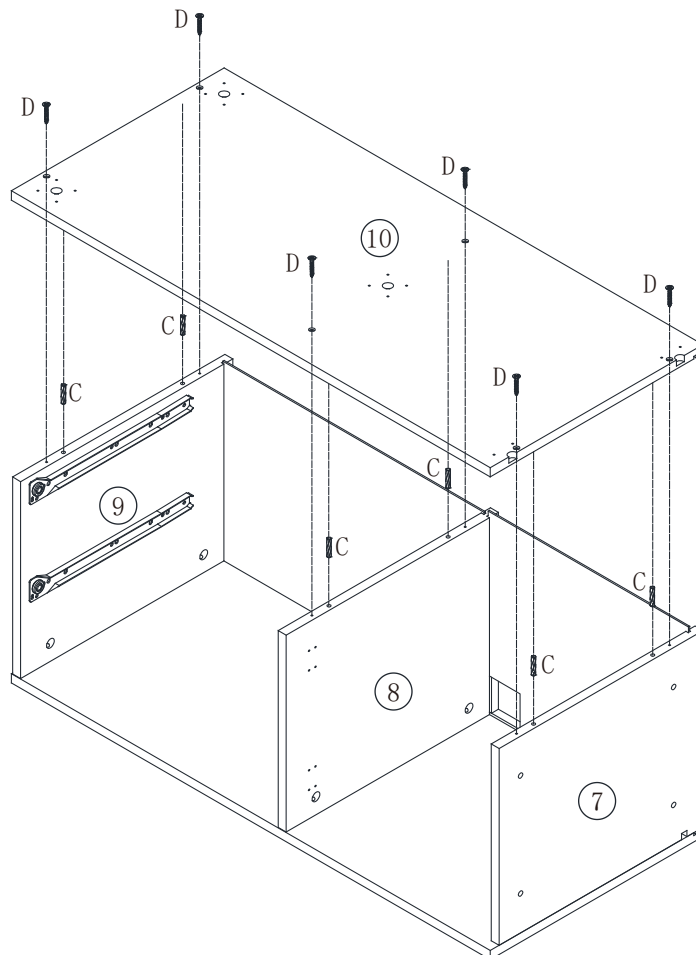
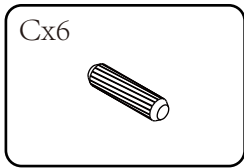
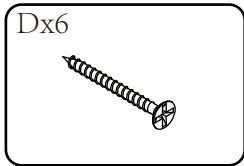
Cx6



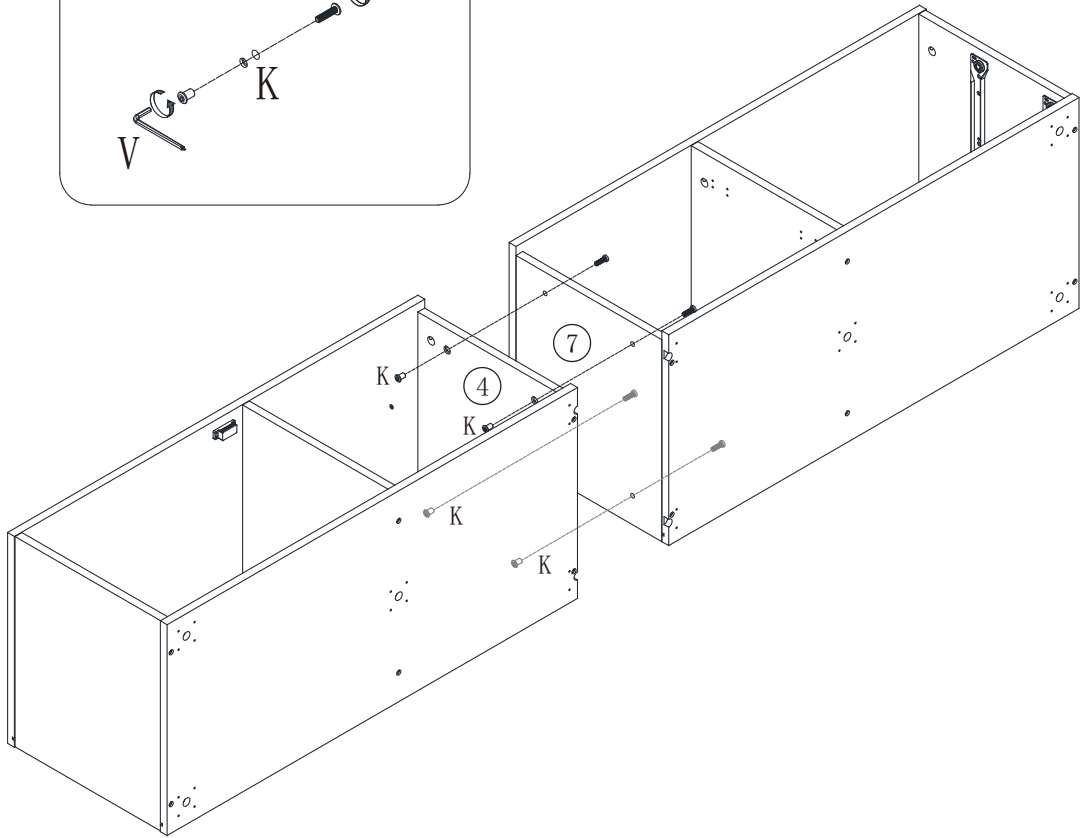
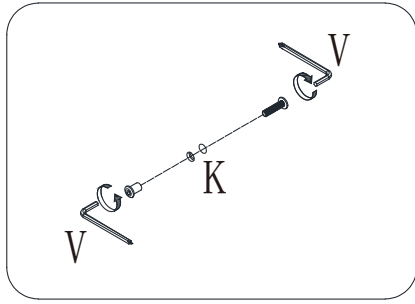
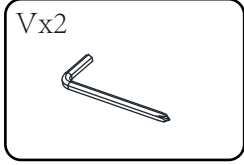
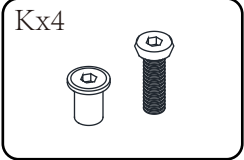
# STEP 7



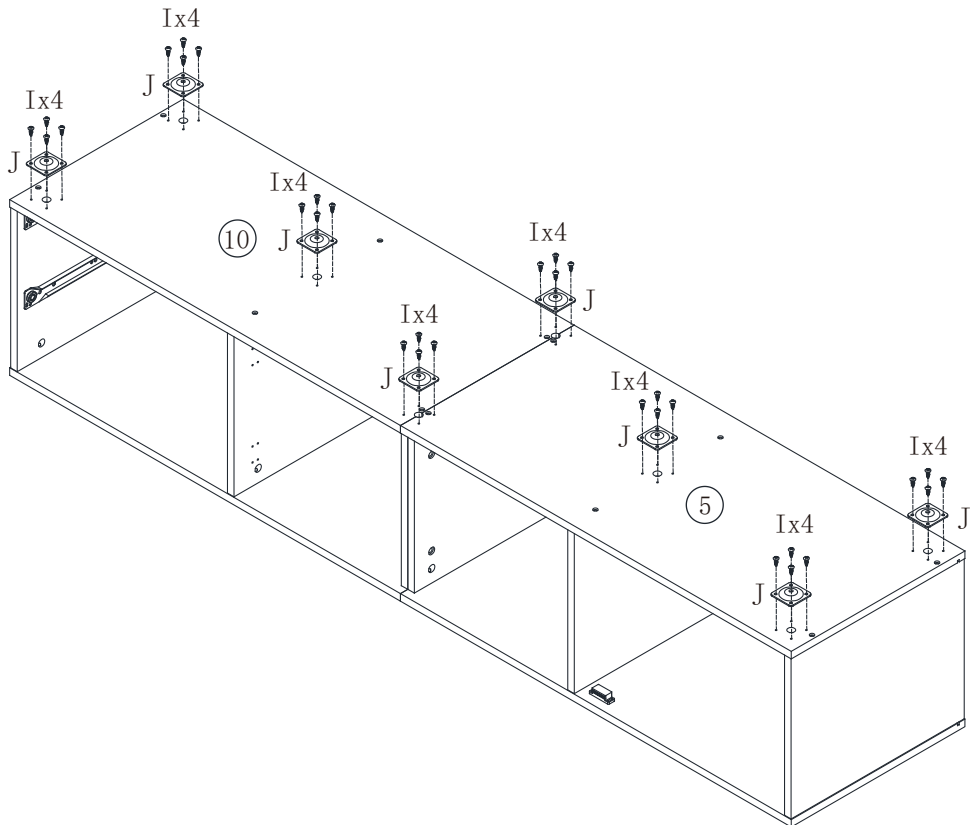
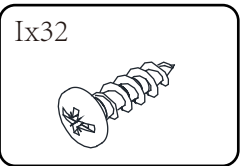
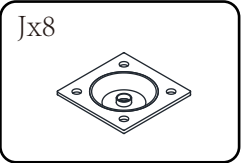
# STEP 8



# STEP 9



# STEP 10

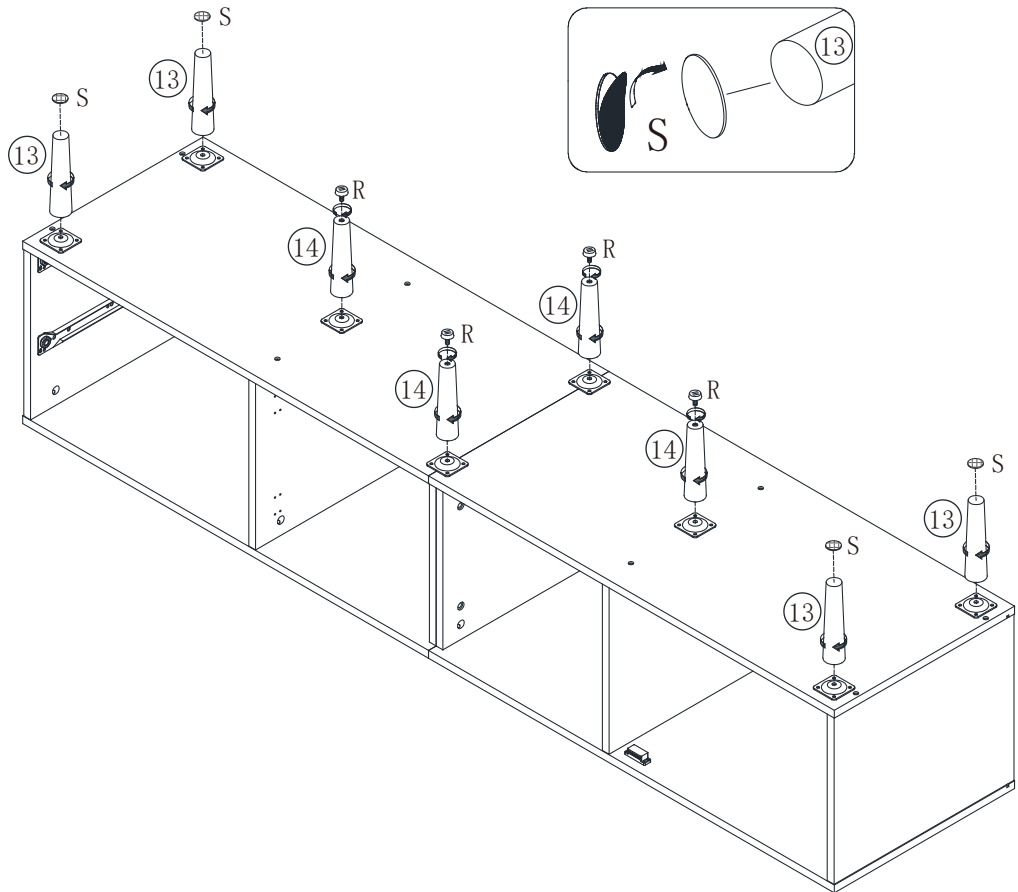


## STEP 11

Sx4

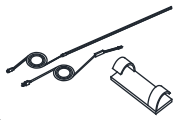


Rx4

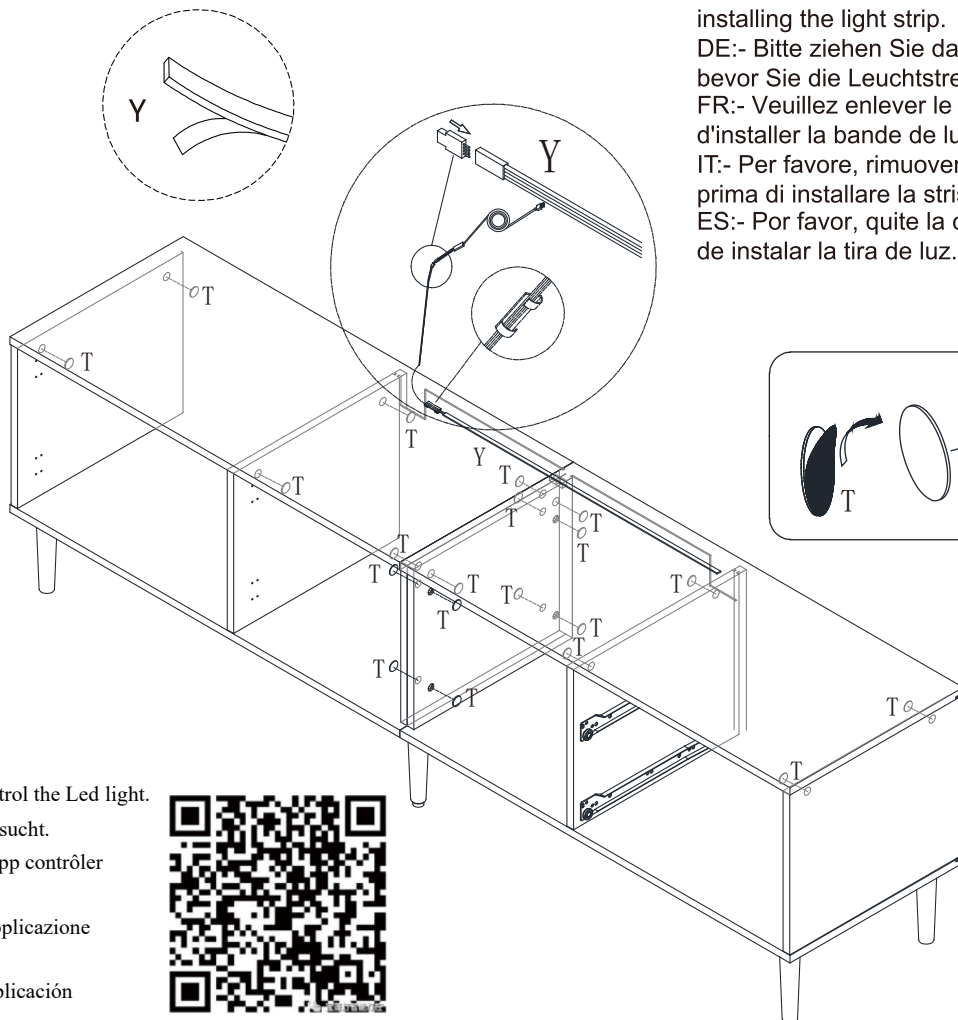


## STEP 12

Yx1



Tx20



EN:- Please remove the adhesive tape before installing the light strip.

DE:- Bitte ziehen Sie das Klebeband heraus, bevor Sie die Leuchtstreifen installieren.

FR:- Veuillez enlever le ruban adhésif avant d'installer la bande de lumière.

IT:- Per favore, rimuovere la nastria adesiva prima di installare la striscia luminosa.

ES:- Por favor, quite la cinta adhesiva antes de instalar la tira de luz.

EN :Scan to download App control the Led light.

DE :Das led-display wird durchsucht.

FR :Scanner pour télécharger App contrôler la lumière Led.

IT :Scansiona per scaricare l' applicazione controlla la luce Led.

ES :Analice para descargar la aplicación control de la luz Led.

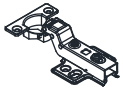


# STEP 13

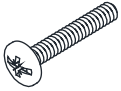
Hx12



Mx6



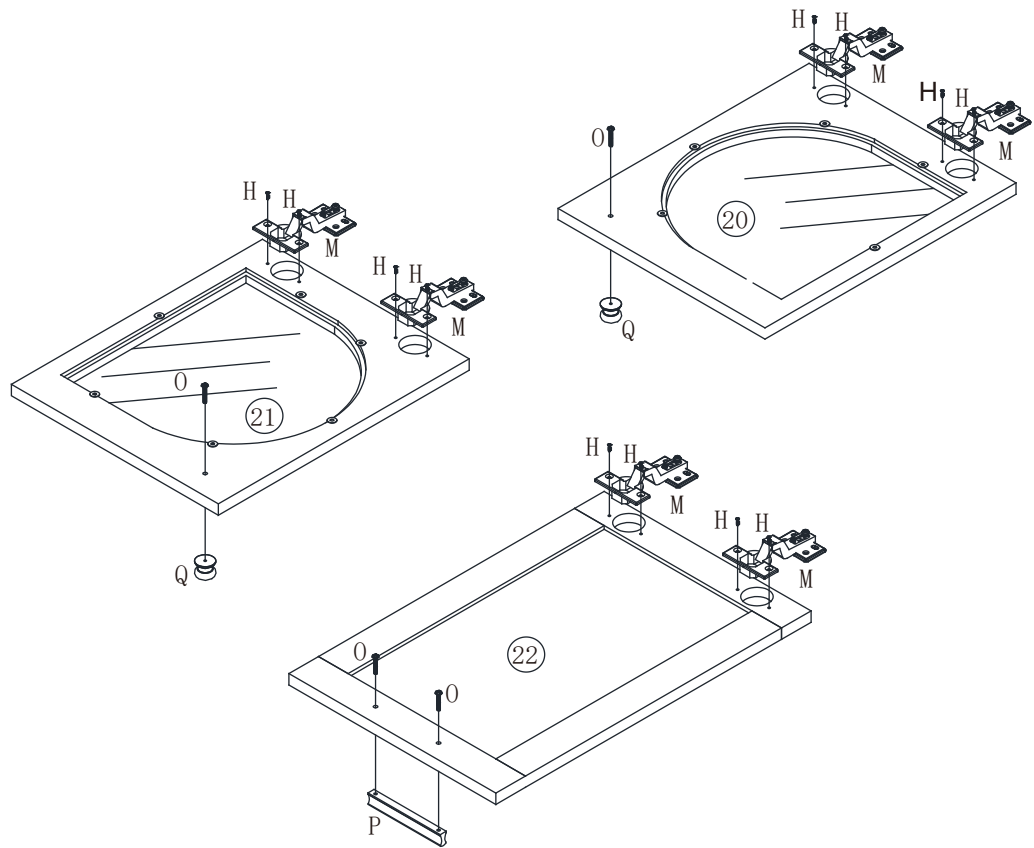
Ox4



Px1

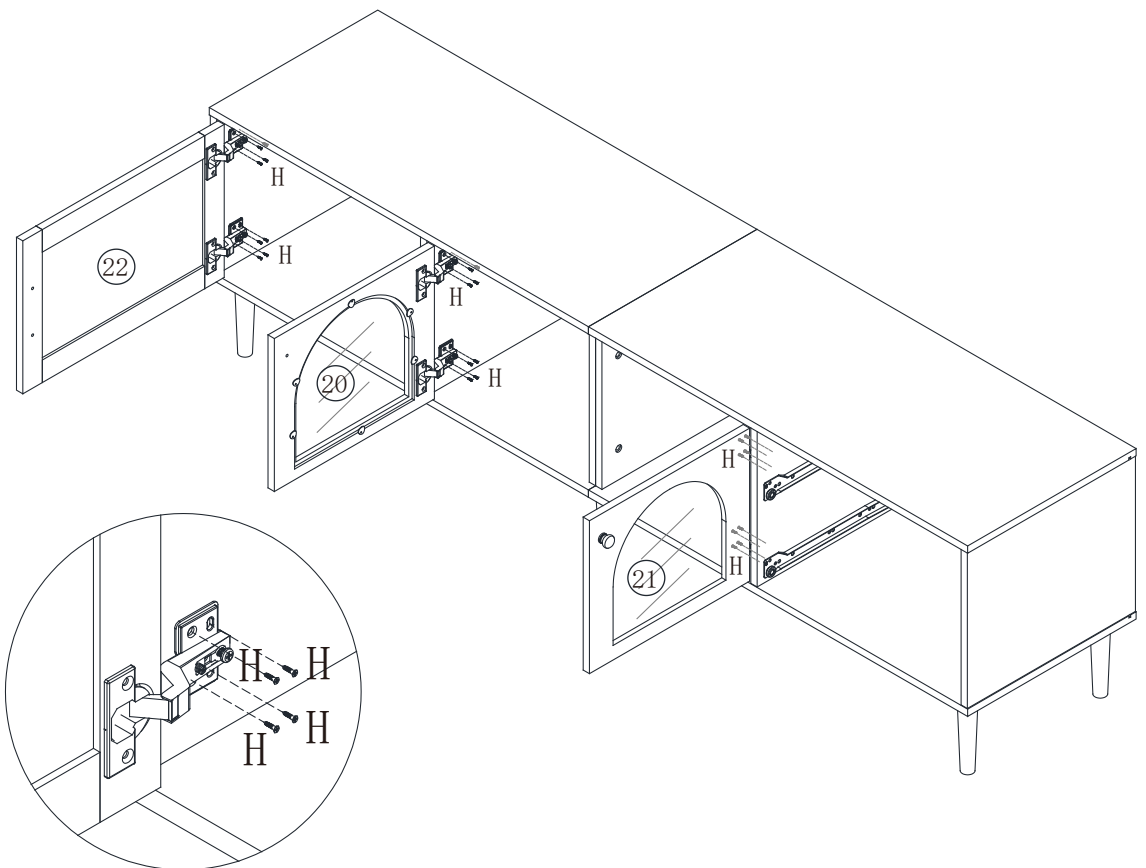
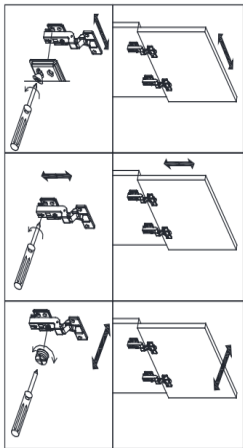


Qx2



# STEP 14

Hx24



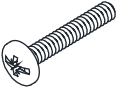
(For detailed hinge adjustment instructions, please refer to the last page.)

# STEP 15

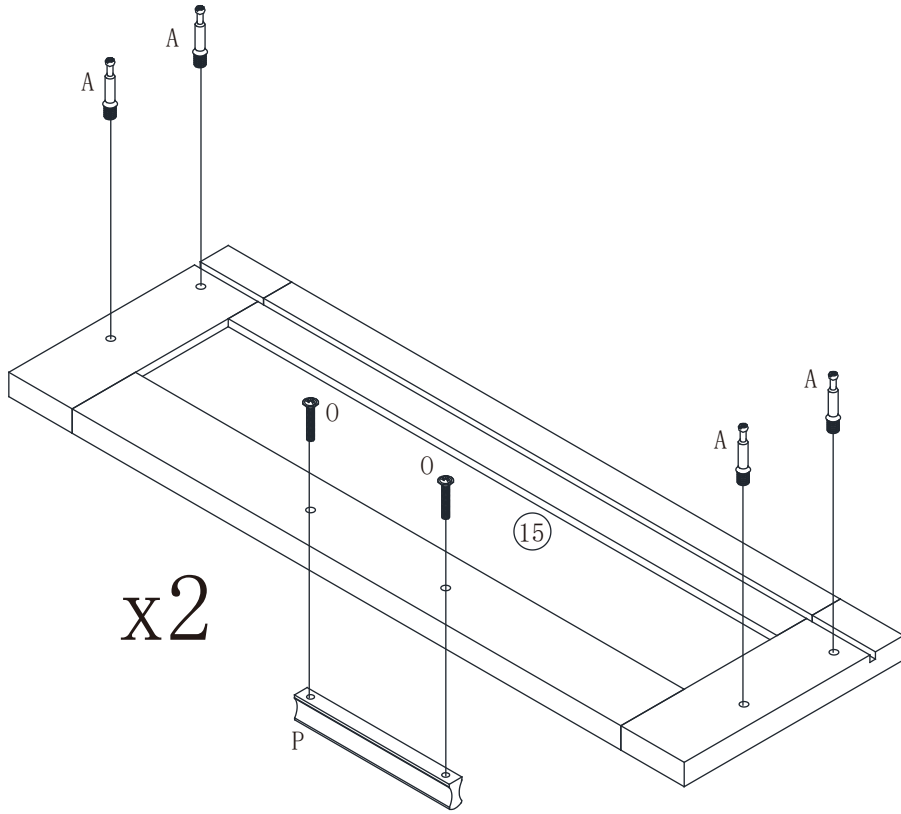
Ax8



Ox4

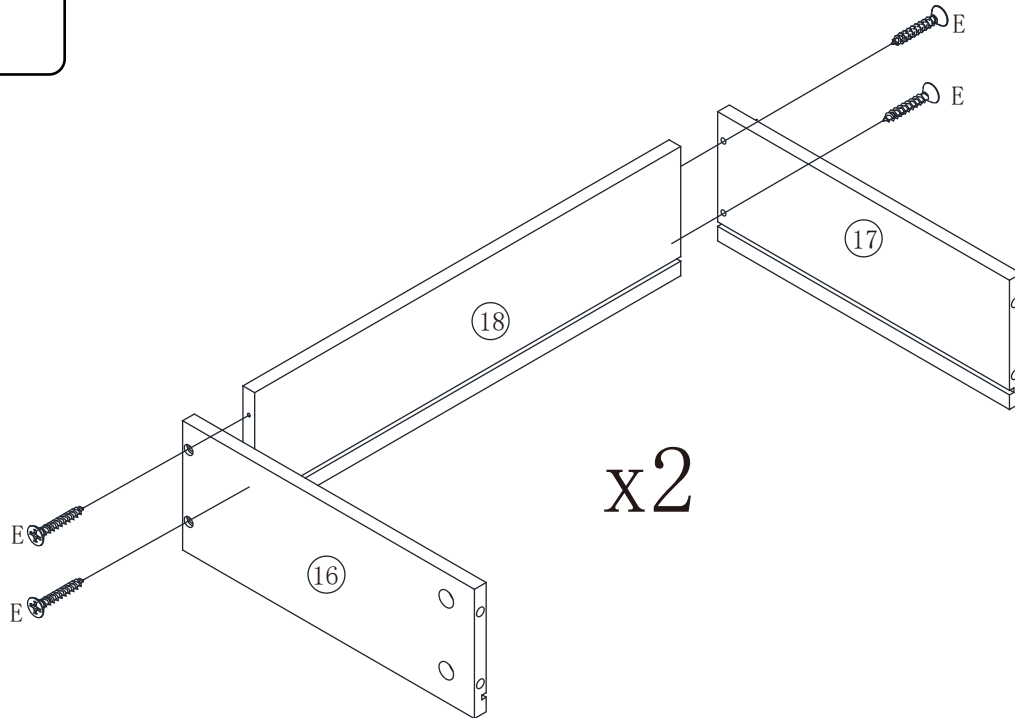


Px2

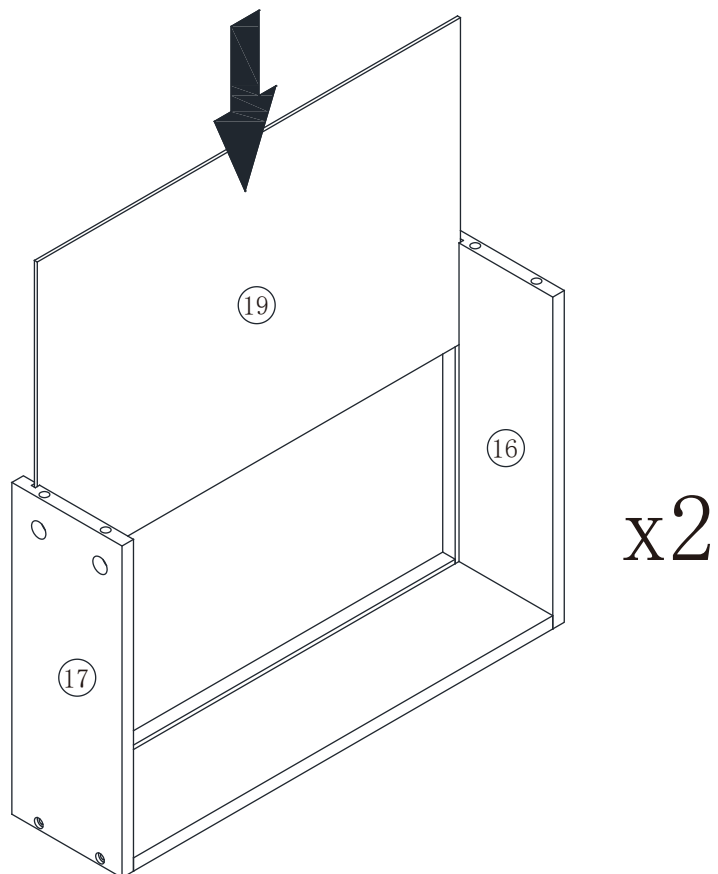


# STEP 16

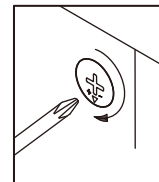
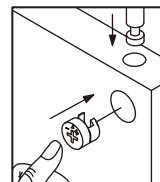
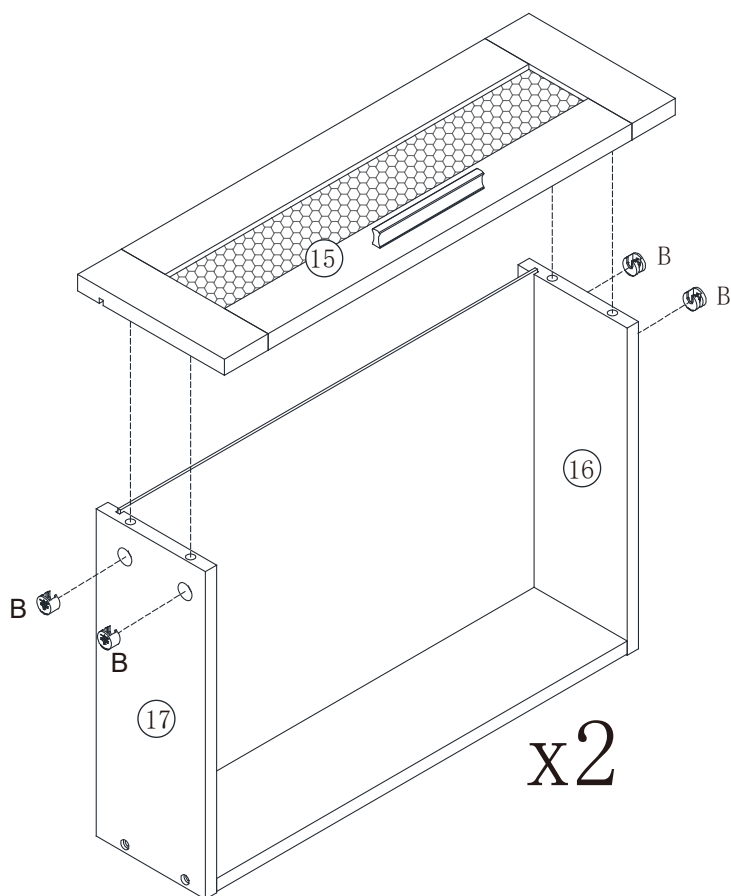
Ex8



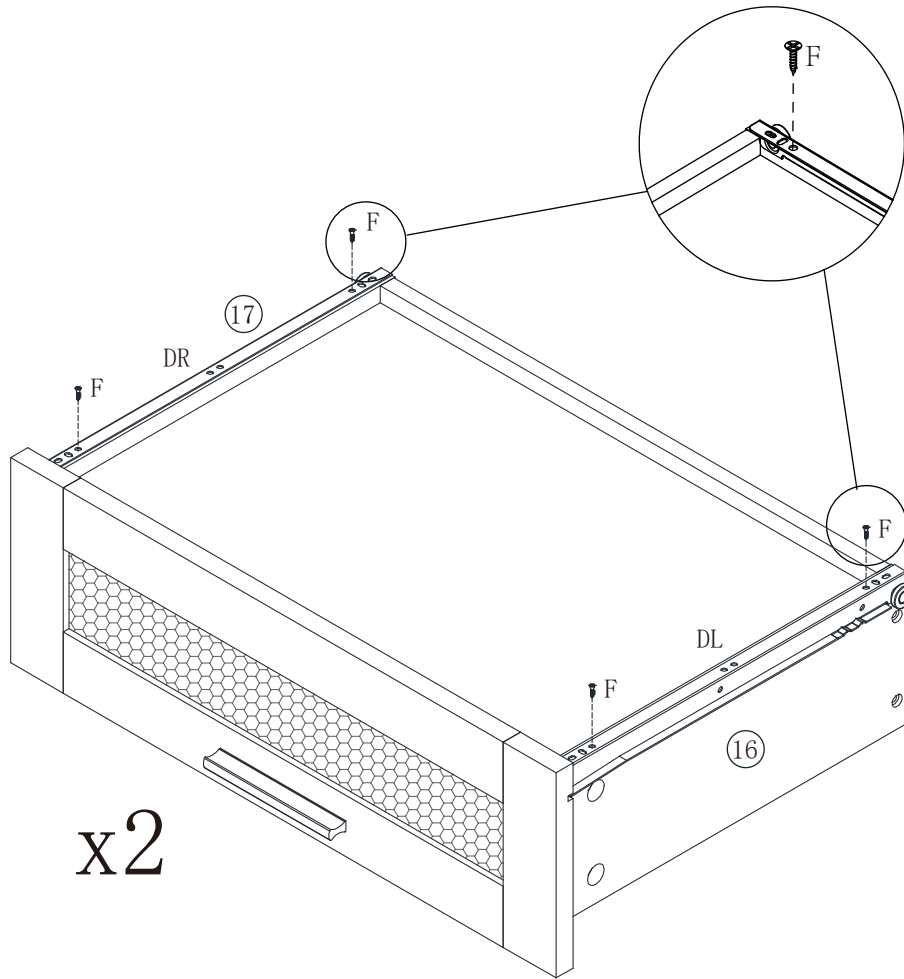
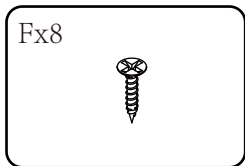
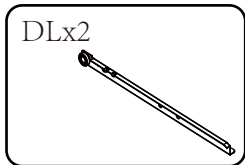
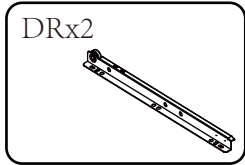
# STEP 17



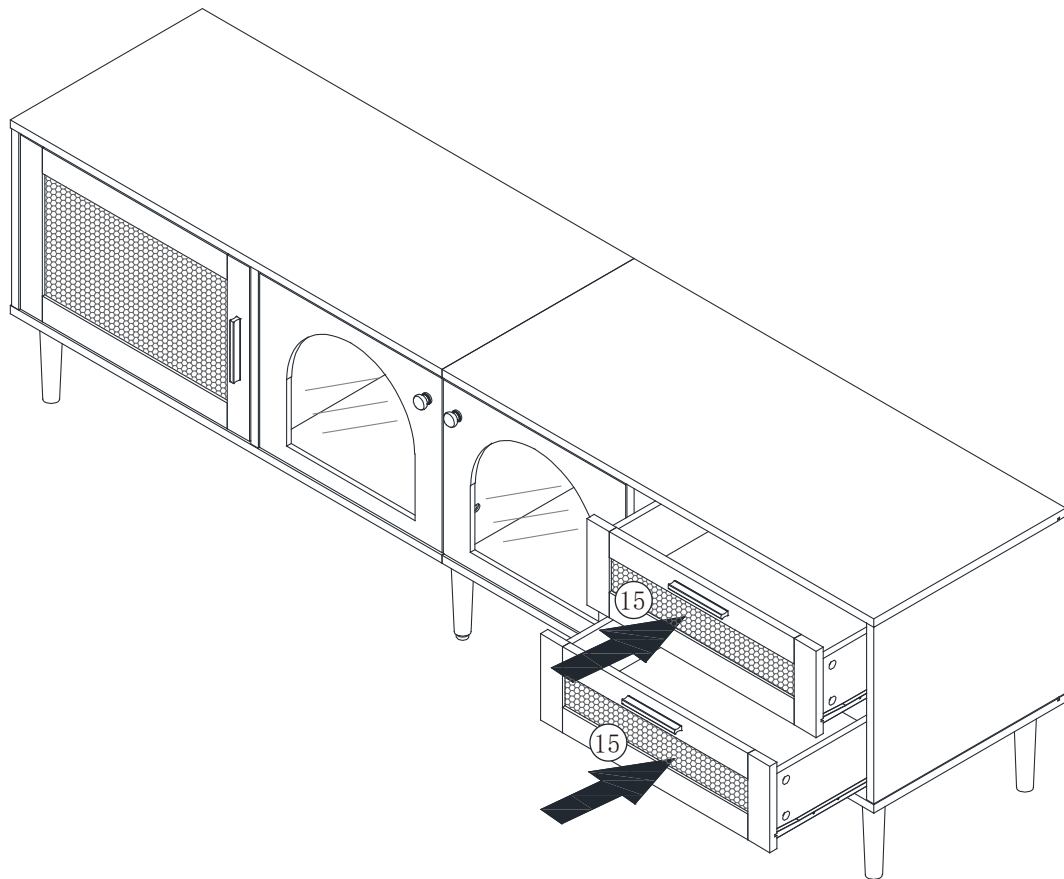
# STEP 18



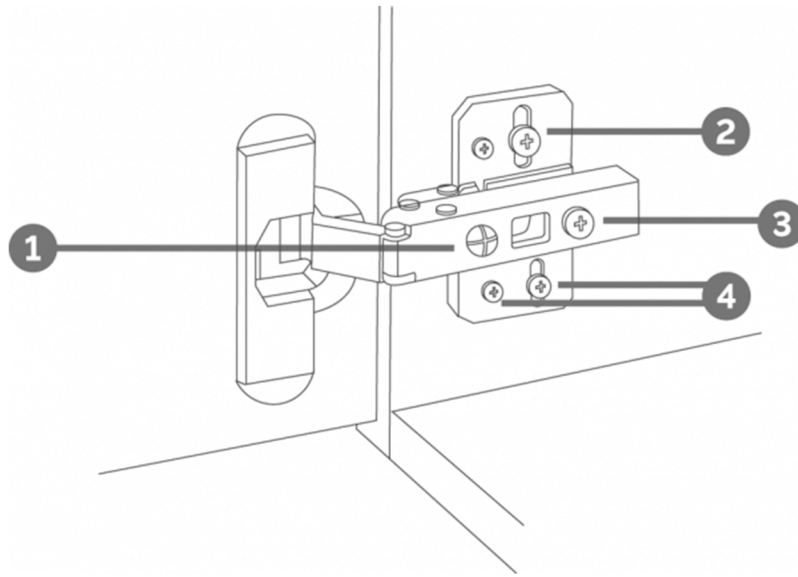
# STEP 19



# STEP 20

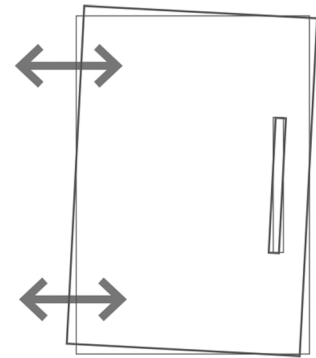


# HINGE ADJUSTMENTS



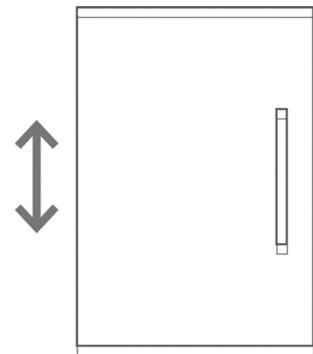
## 1 Sideways / Tilt adjustment

Turn the screw  
**clockwise** to move the door further away from  
the side of the cabinet  
**anticlockwise** to move the door closer to the  
side of the cabinet



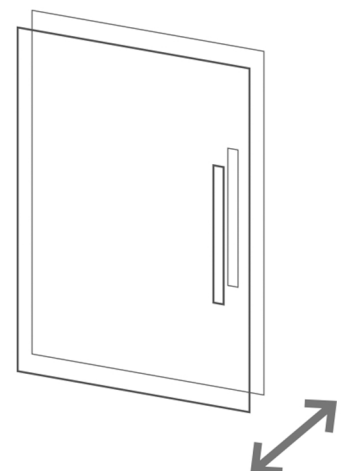
## 2 4 Height adjustment

While supporting the weight of the door, turn the  
screws  
**clockwise** to move the door up  
**anticlockwise** to move the door down



## 3 Forward and back adjustment

If the gap between the back of the door and the  
cabinet is too small, and the door may not close  
fully. Turn the screw  
**clockwise** to decrease the gap between the  
door and the cabinet  
**anticlockwise** to increase the gap between the  
door and the cabinet



## STEP 21

Ux16



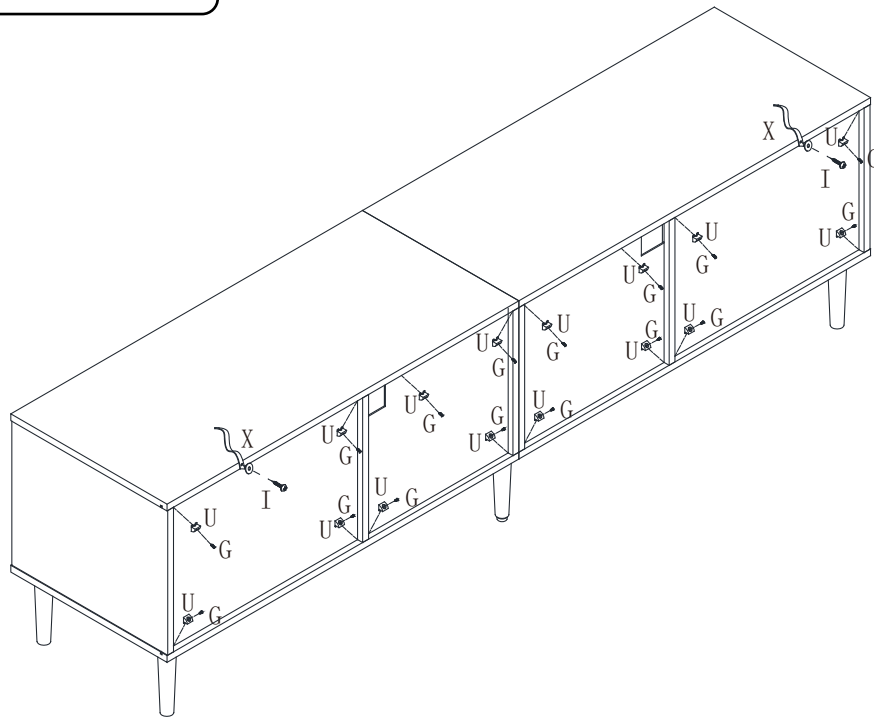
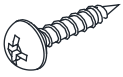
Xx2



Gx16



Ix2



## STEP 22

Nx2

