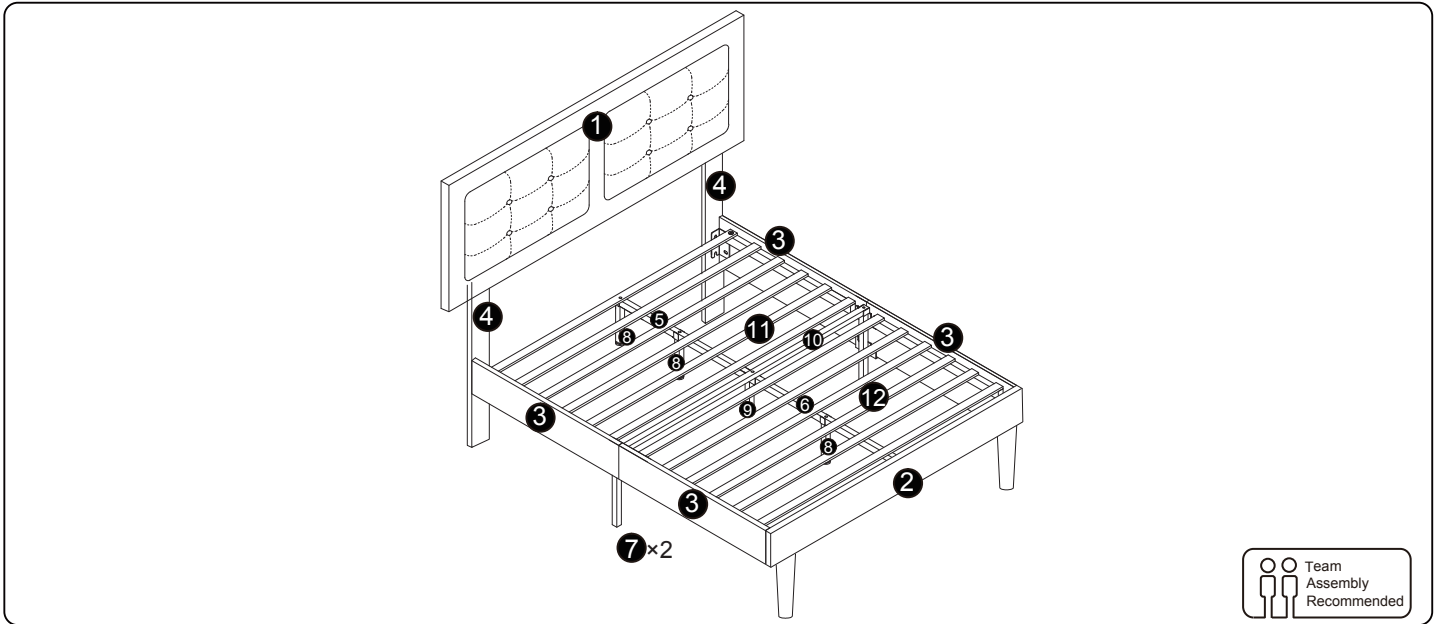


# Bed Frame Installation Manual



## Componets

<b>1</b>  1pc	<b>2</b>  1pc	<b>3</b>  4pcs
<b>4</b>  2pcs	<b>5</b>  1pc	<b>6</b>  1pc
<b>7</b>  2pcs	<b>8</b>  3pcs	<b>9</b>  1pc
<b>10</b>  1pc	<b>11</b>  1pc	<b>12</b>  1pc

## Screws & Tools

<b>A</b> 2pcs  Bolt M8 x 25	<b>B</b> 4pcs  Bolt M8 x 45	<b>C</b> 5pcs  Bolt M8 x 45	<b>D</b> 4pcs  Spacer	<b>E</b> 2pcs  Angle iron
<b>F</b> 2pcs  Foot	<b>G</b> 1pc  Angle iron (Left)	<b>H</b> 1pc  Angle iron (Right)	<b>I</b> 1pc  Allen Key M5	<b>J</b> 2pcs  Screw M4 x 25

Check all the components & screws before assembly.

