

Installation Guide

DUAL MOUNT KITCHEN SINK



Make it work like a professional.

Tools and Materials



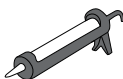
Safety Glasses



Tape Measure



Hacksaw / Jigsaw



Construction Adhesive



Drill



Pencil



Sealant

Plus:

Hole Saw
Support Framing Material
Sanding Block
Spirit Level
Painter's Tape
Shims
Cabinet Fillers
Clamps
Denatured Alcohol
Screws

Before You Begin



Read the following instructions carefully before you begin this installation:

1. Observe all local plumbing and building codes.
2. Shut off the hot and cold water supplies. Inspect the drain and supply tubing. Replace if necessary.
3. Unpack the new sink and inspect it for damage. Afterward, return the sink to its protective carton until the installation begins.
4. In consideration of various installations possible with this sink, procedures other than those described in these instructions may be used.
5. It's recommended to provide the actual sink to all contractors involved in the project. It's critical that all contractors maintain communication and coordinate the requirements of the project.
6. The cabinet and frame shown in the illustration diagrams are generic and may not represent the actual design and structure.
7. It is recommended that the sink installation be performed by professional and experienced installers. For the sake of safety and a damage-free installation, the sink should be installed by at least two people.

8. All information in these instructions is based on the latest product information available at the time of publication. Eridanus reserves the right to make revisions to the design of products without notice.
9. Use proper securing hardware and techniques to ensure the support frame will bear a minimum of 300 lbs (136 kg).
10. Due to differing demands and purposes for usage possible, a template will not be provided for this model.

Installation Procedures

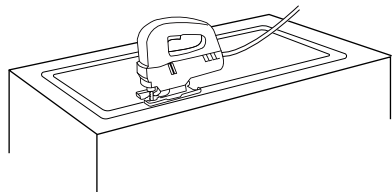
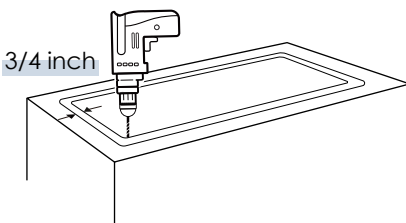
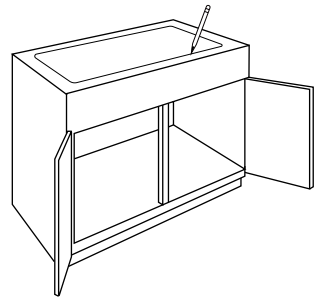
Top Mount Installation

STEP I. Measure the exterior size of the sink and use a pencil to transfer the measurements onto the countertop in a position where the sink is to be installed.

NOTE Allow adequate clearance for the water supply lines.

STEP II. Draw a second line approximately 3/4 inch inside the previously traced line. The second line will be used as the cutout line.

STEP III. Drill a pilot hole at one corner of the cutout line; then use the drilled hole as a starting point to cut the countertop along the line with a jig saw.

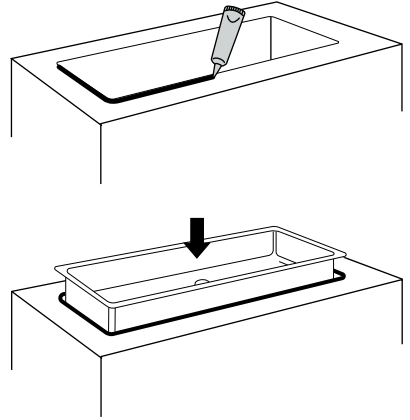


NOTE Please use the appropriate saw that best fits your countertop material.

STEP IV. Clean any sawdust off the countertop opening and test-fit the sink by lowering it into the opening; then remove the sink.

STEP V. Apply a thick bead of silicone sealant around the edges of the countertop opening; install the sink, align it with the opening and press it firmly; remove surplus silicone around the rim of the sink.

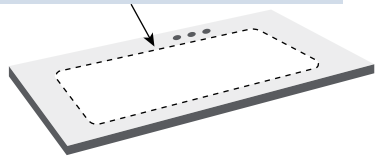
STEP VI. Install the water supply and drainage system according to the manufacturer's instructions and run water to test for leakage.



Undermount Installation

STEP I. Measure the interior size of the sink; according to the measurements taken from the sink, sketch the cutout area on the countertop in a position where the sink is to be installed.

Cut-out Area of the Countertop

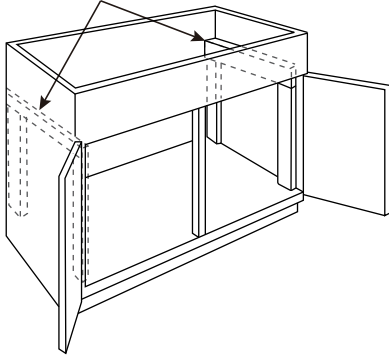


STEP II. Construct a support framework that consists of two horizontally and four vertically extending wooden supports, as shown in the diagram.

STEP III. Craft a supporting board that fits properly into the cabinet and allows adequate clearance for the water supply lines; use a hole saw to cut the drain outlet clearance hole on the board.

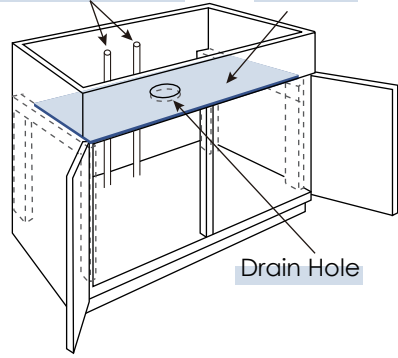
NOTE The distance from the top of the supporting board to that of the cabinet should be identical to the maximum height of the sink for a proper under-mount installation.

Frame Members



Water Supply Lines

Support

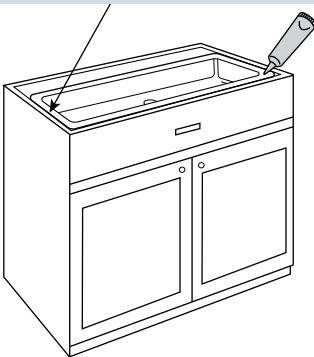


STEP IV. After appropriately positioning and securing the support frame, carefully install the sink into the cabinet; make sure the sink can be fully supported by the frame.

NOTE Check for levelness with a spirit level and use shims to level the sink if necessary.

STEP V. Apply a thick bead of silicone sealant on the top of the sink rim; Carefully install the countertop and press it firmly; remove any surplus silicone.

Sink Rim Flush with Cabinet Top



STEP VI. Install the water supply and drainage system according to the manufacturer's instructions and run water to test for leakage.

Installation Guide

Make it work like a professional.

© COPYRIGHT 2023 ERIDANUS