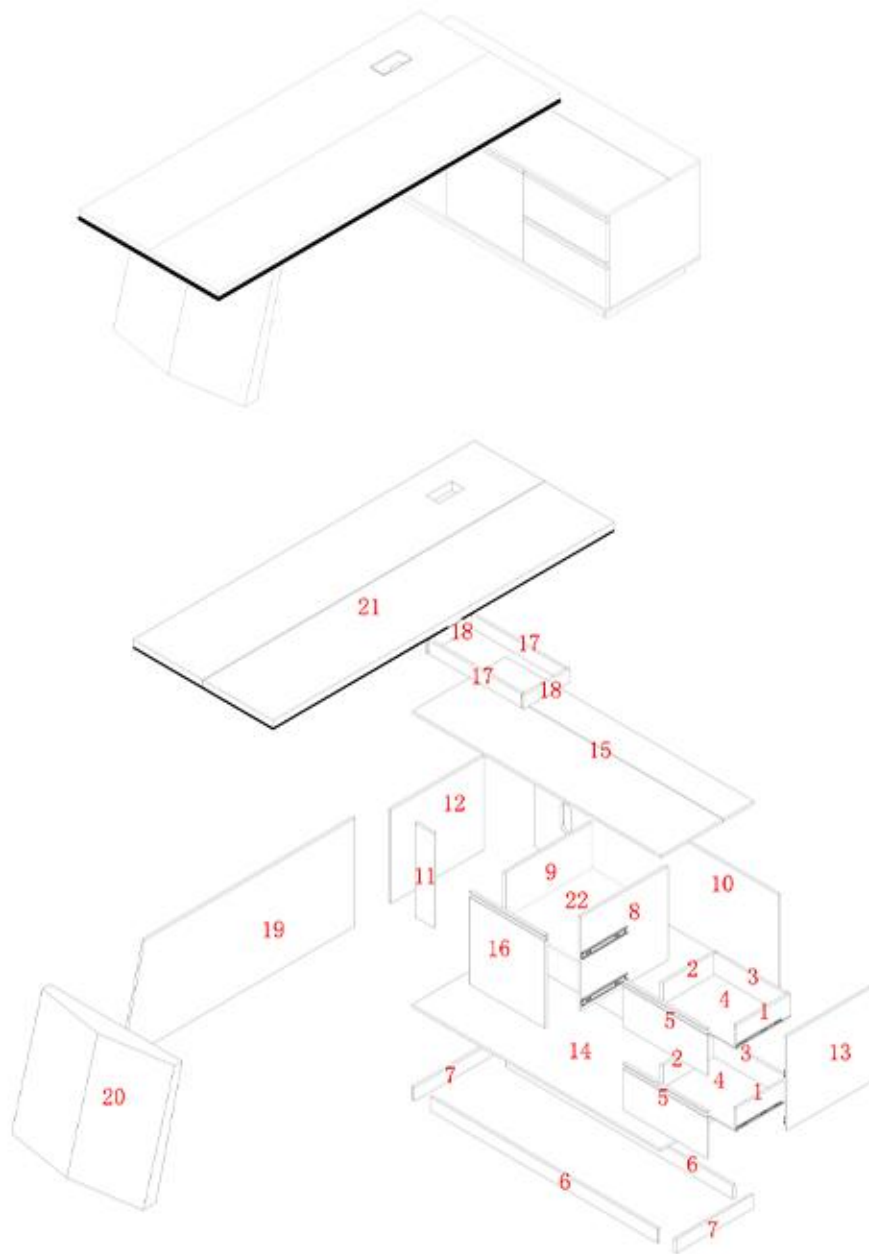



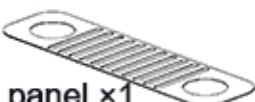












Executive Desk A

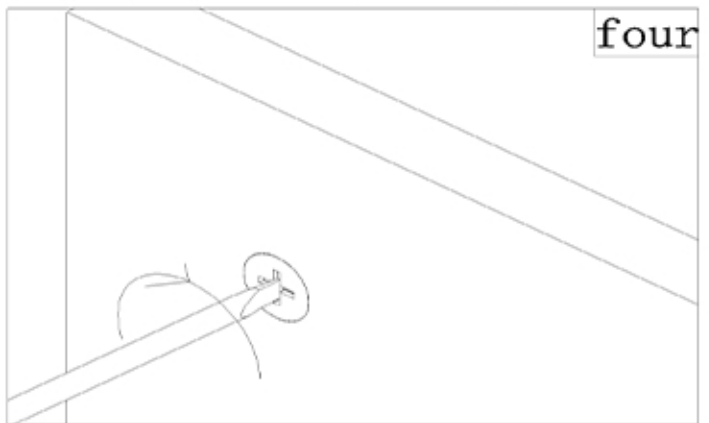
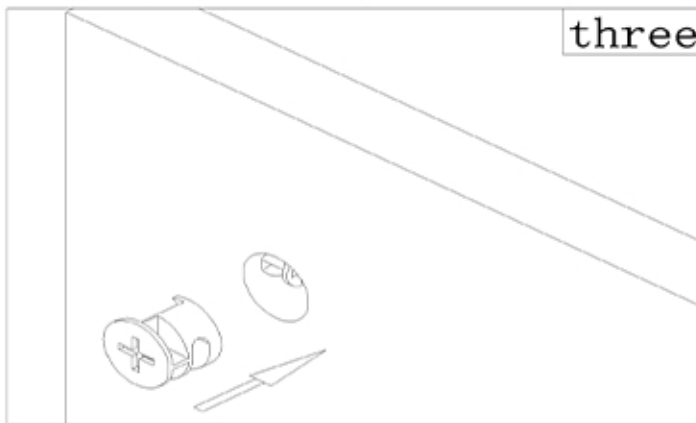
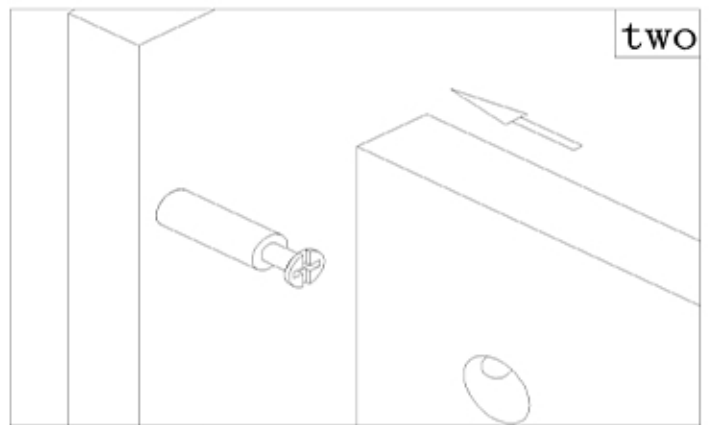
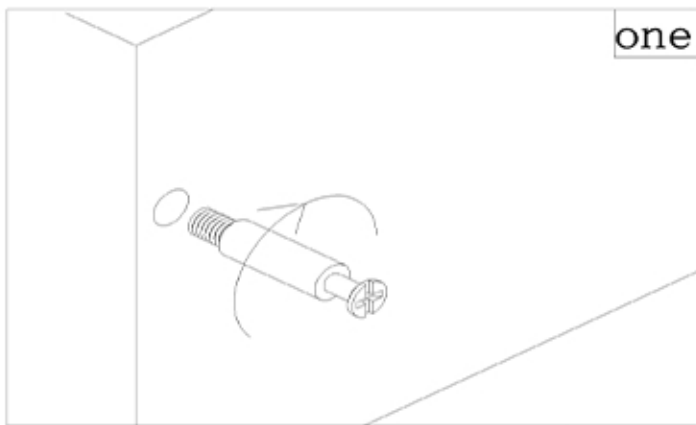


1. Before assembly, please carefully read the instructions and make sure to identify and match each type of panel with its corresponding screws, as some panels and screws are not interchangeable.
2. During assembly, initially tighten all screws about 70%. Once the entire piece is assembled, go back and fully tighten all screws.

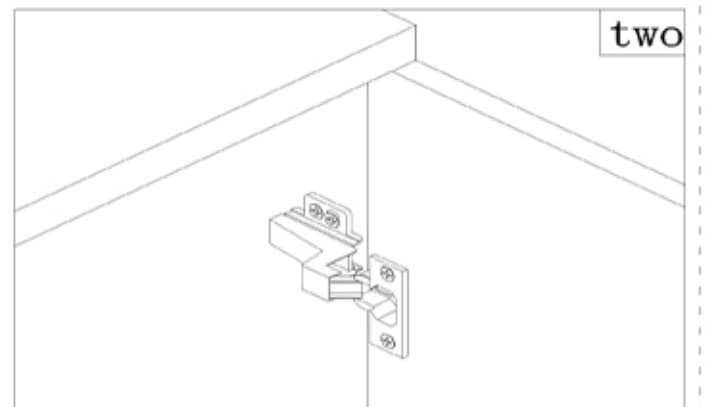
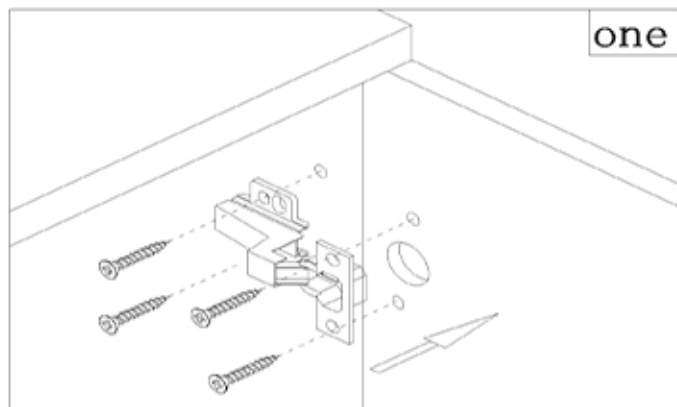
| | | | |
|----------------------------|------------------------|-------------------------|-------------------|
| Right drawer side panel x2 | Short leg rail x2 | Right side panel x1 | Divider panel x1 |
| Left drawer side panel x2 | Middle side panel 1 x1 | Cabinet bottom panel x1 | Hardware leg x1 |
| Drawer back panel x2 | Middle side panel 2 x1 | Cabinet front panel x1 | Tabletop panel x1 |
| Drawer bottom panel x2 | Back panel x1 | Door panel x1 | Adjustable shelf |
| Drawer front panel x2 | Front support panel x1 | Long top box x2 | |
| Long leg rail x2 | Left side panel x1 | Top box x2 | |

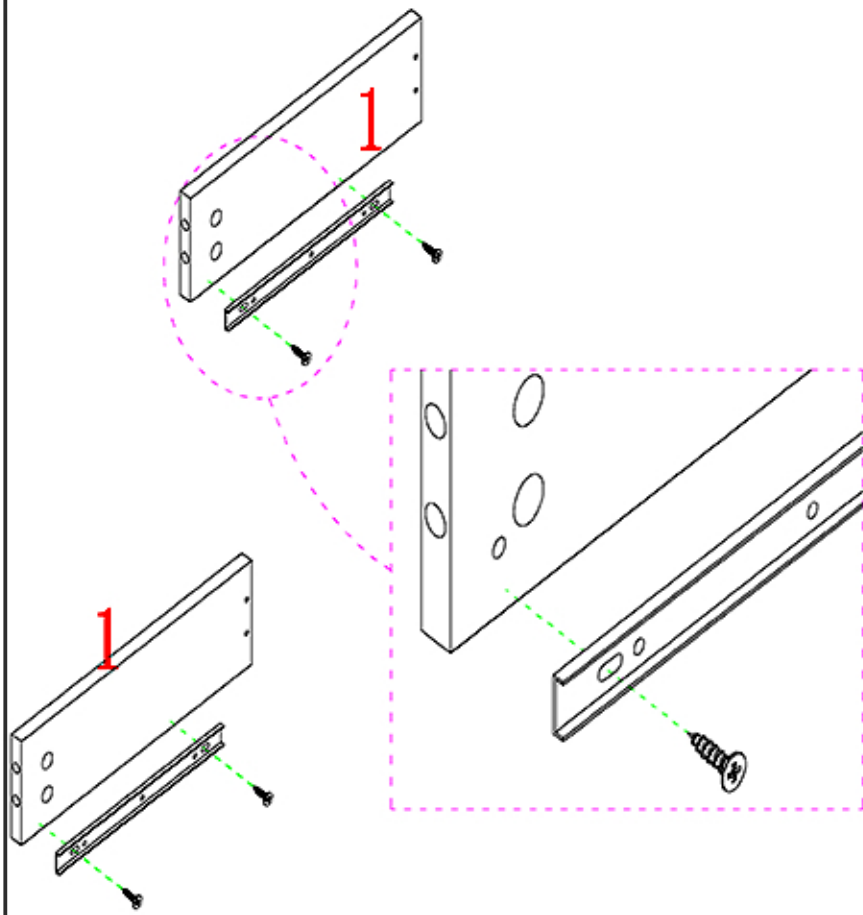
| | | | |
|--|---|--|--|
| A  3-in-1 connector ×62 | B  3-in-1 cam lock ×70 | C  2-in-1 connector ×4 | D  Mesh panel ×1 |
| E  Cable box ×1 | F  Door hinge ×2 | G  Large flat washer ×2 | H  Corner bracket ×6 |
| I  3.5×35 mm self-tapping screw ×8 | J  3.5×14 mm self-tapping screw ×50 | K  4×20 mm self-tapping screw ×16 | L  Shelf pin ×4 |
| M  Drawer slide ×2 | K  Large flat head screw ×8 | | |



three in one sketch

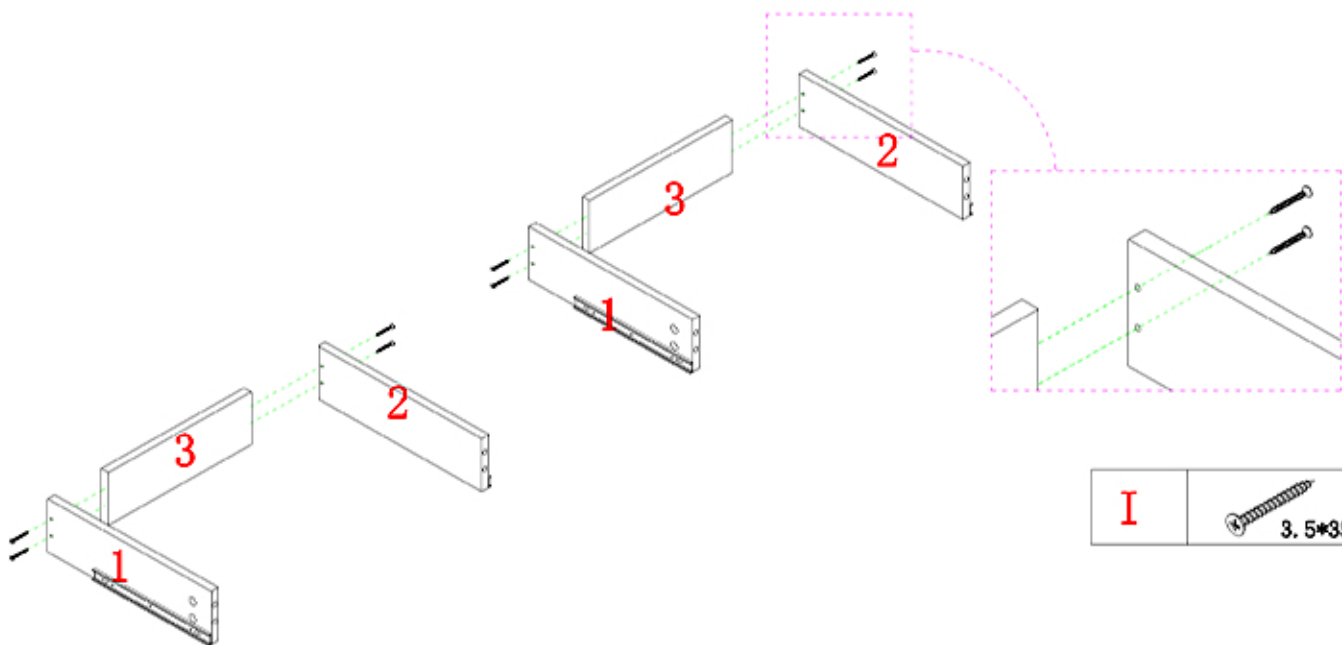


door hinge

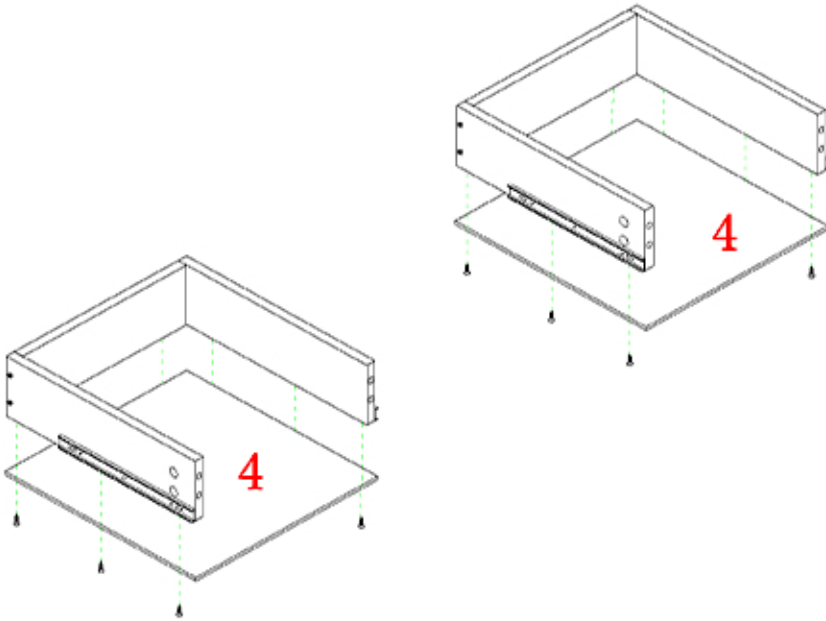




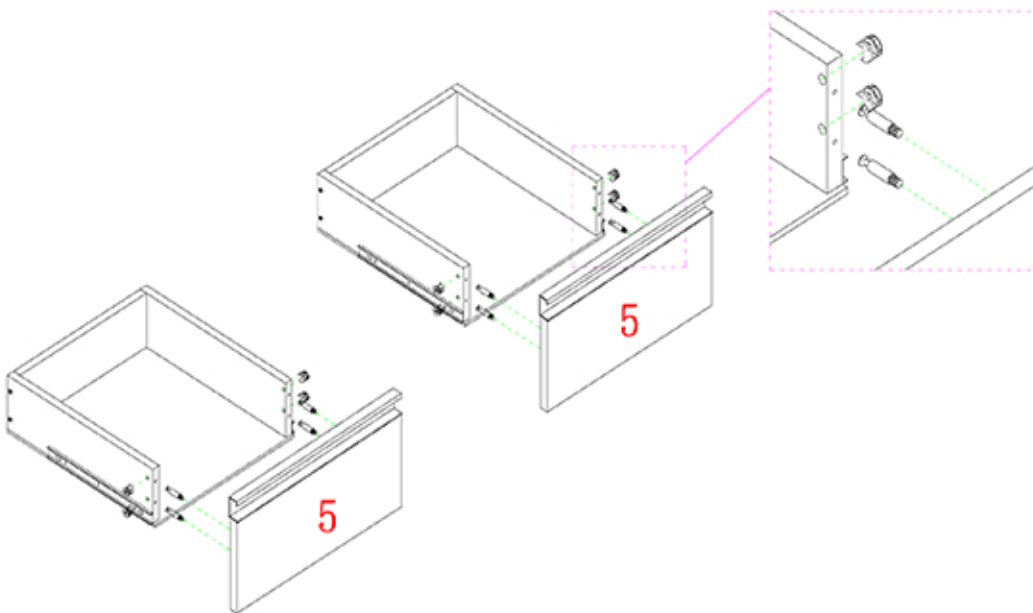
| | | |
|---|--|----|
| M |  | *2 |
| J |  3.5*14 | *4 |



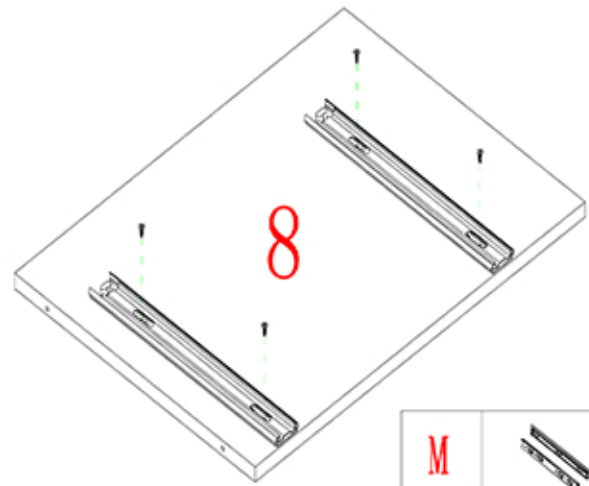
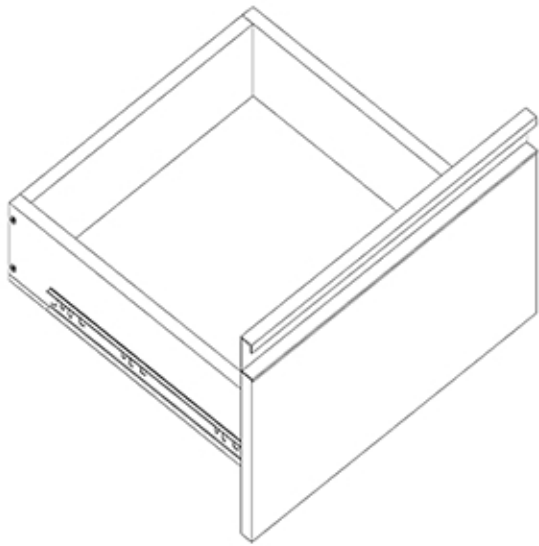
| | | |
|---|--|----|
| I |  3.5*35 | *8 |
|---|--|----|



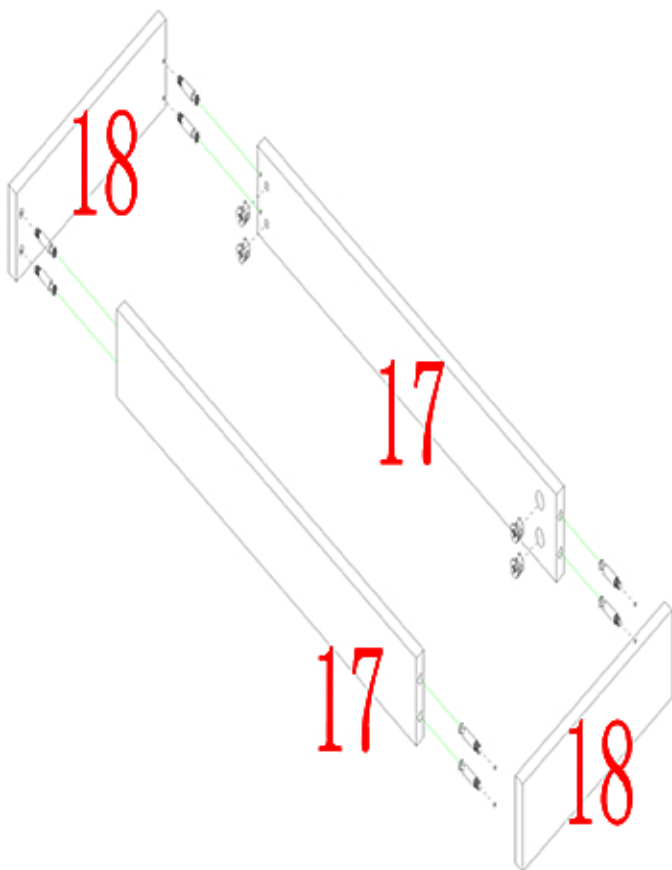
| | | |
|---|--|-----|
| J |  3.5*14 | *12 |
|---|--|-----|





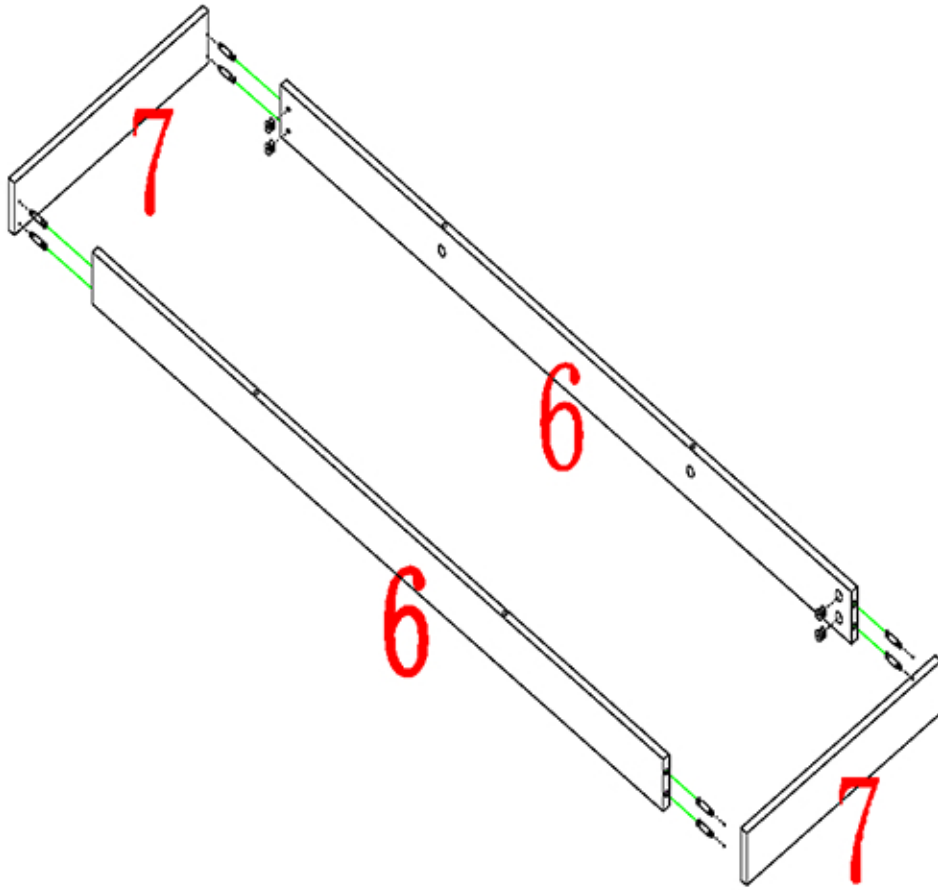
| | | |
|---|---|----|
| A |  | *8 |
| B |  | *8 |





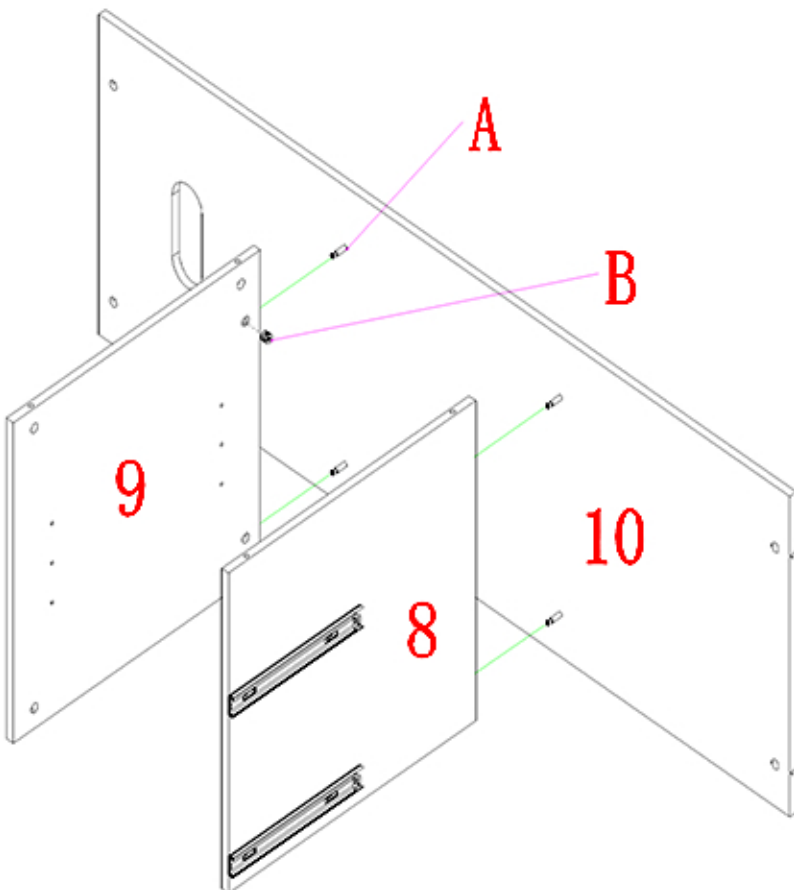
| | | |
|---|--|----|
| M |  | *2 |
| J |  3.5*14 | *4 |





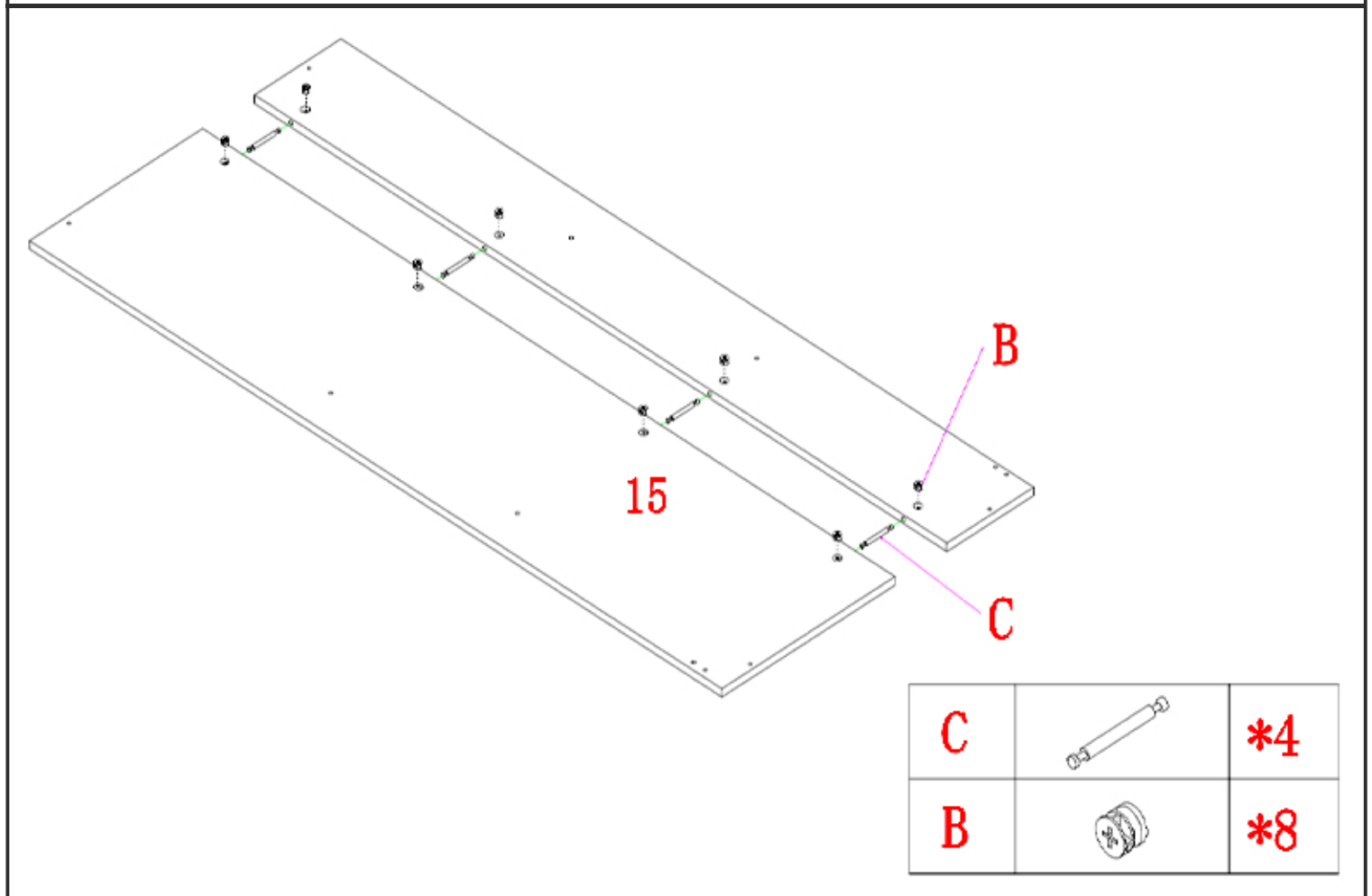
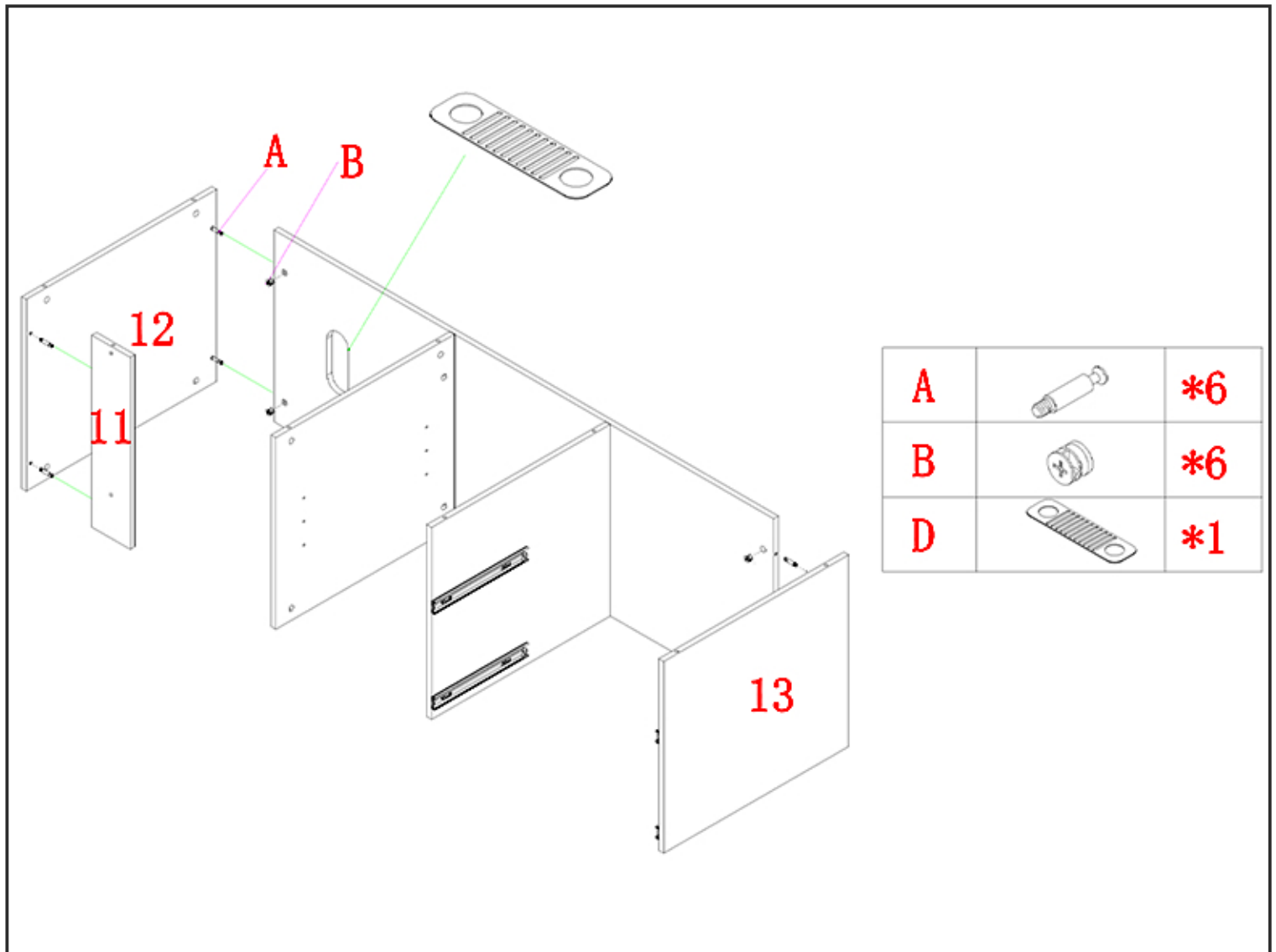
| | | |
|---|---|----|
| A |  | *8 |
| B |  | *8 |

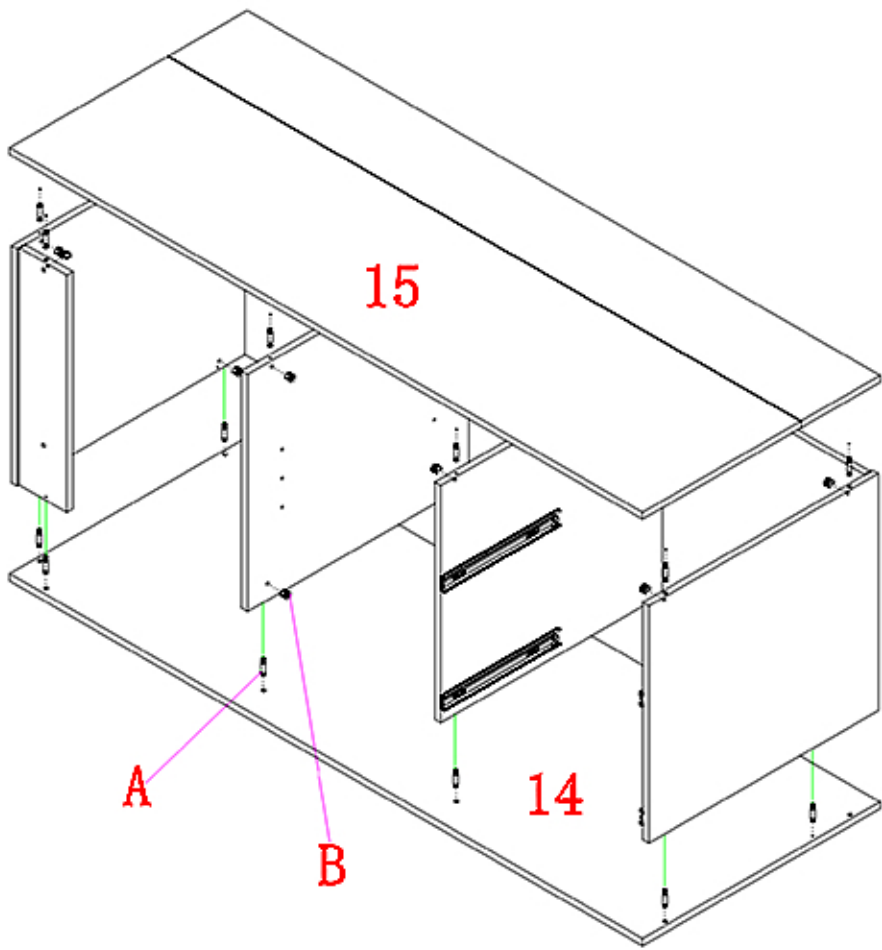




| | | |
|---|---|----|
| A |  | *8 |
| B |  | *8 |

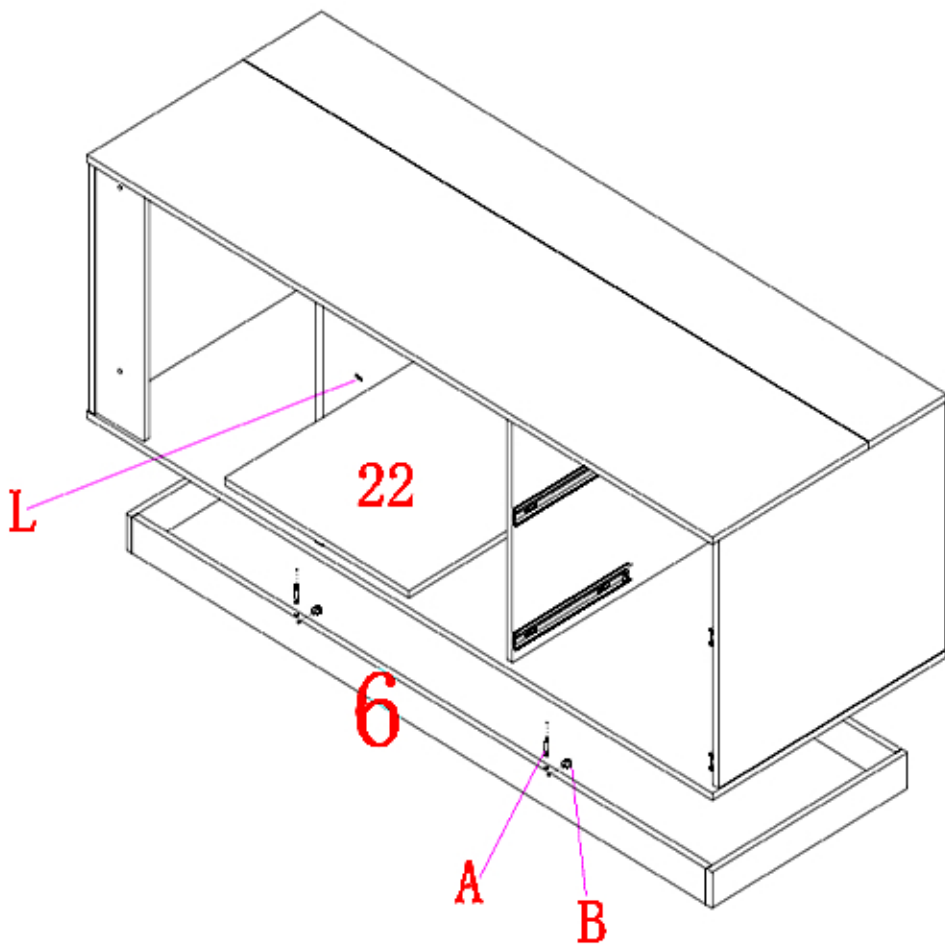





| | | |
|---|---|----|
| A |  | *4 |
| B |  | *4 |

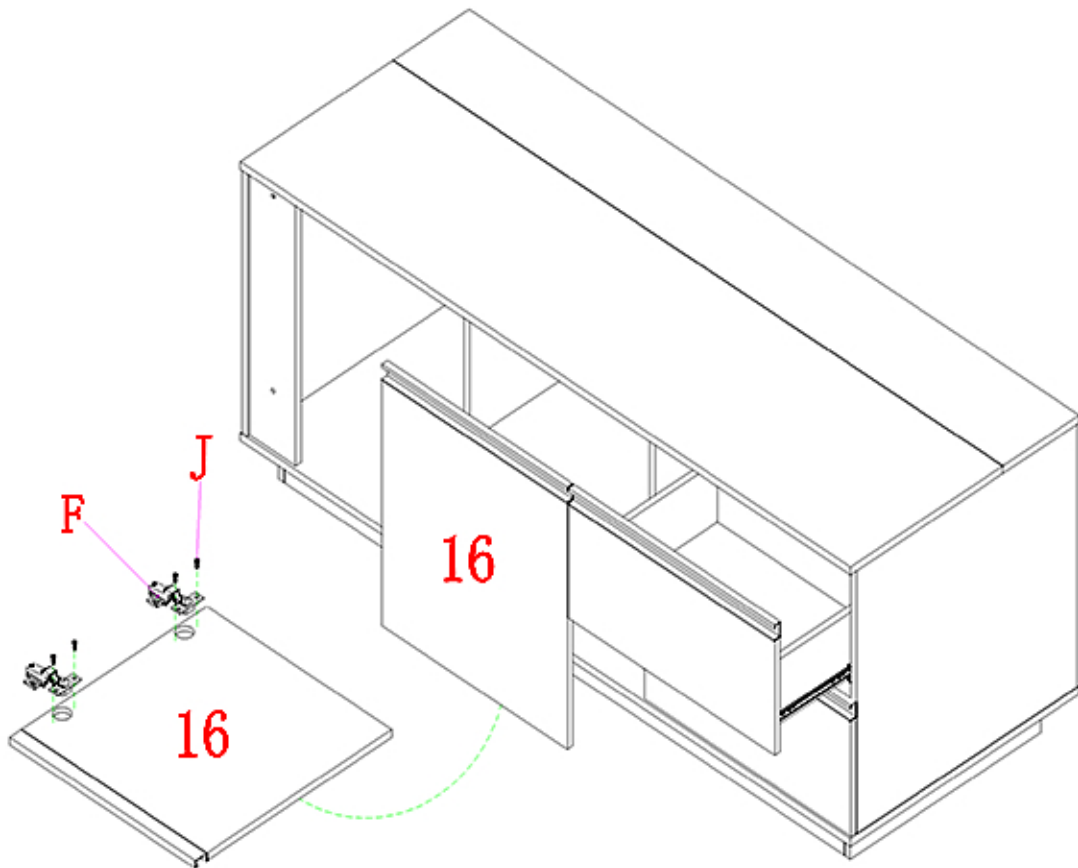






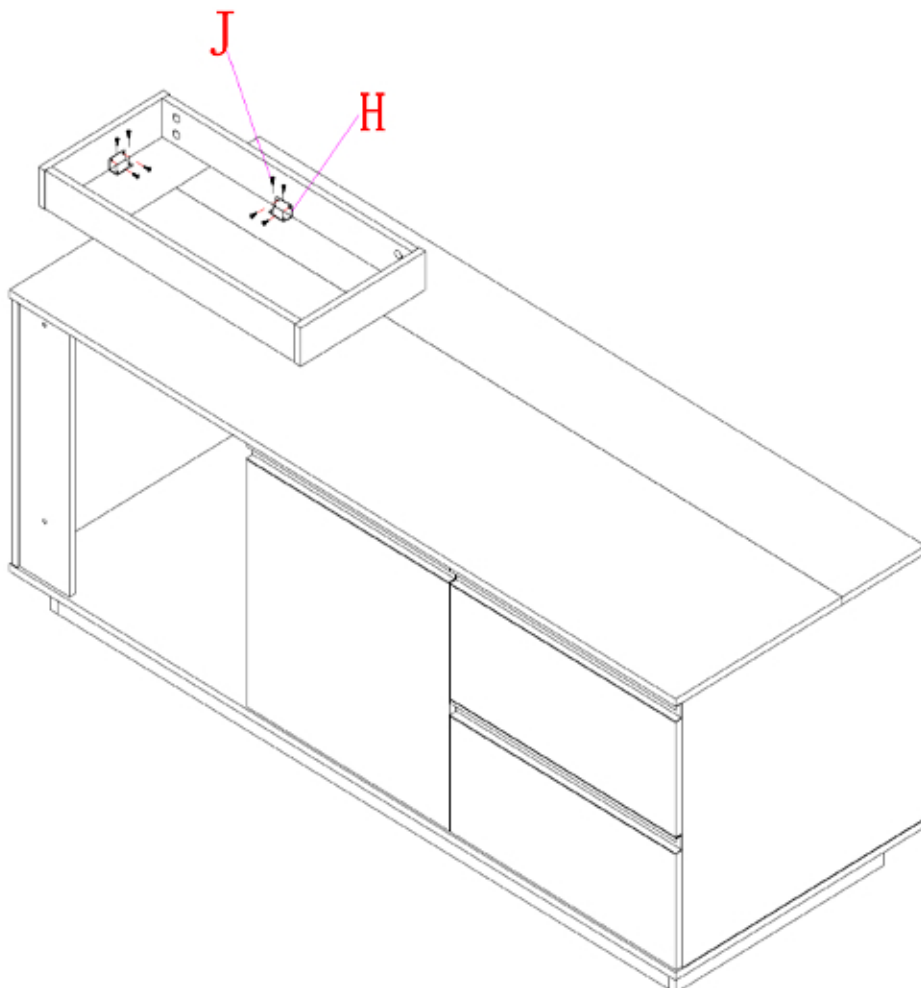
| | | |
|---|---|-----|
| A |  | *18 |
| B |  | *18 |





| | | |
|---|---|----|
| A |  | *4 |
| B |  | *4 |
| L |  | *4 |



| | | |
|----------|---|------------|
| F |  | *2 |
| J |  3.5*14 | *12 |



| | | |
|----------|--|------------|
| H |  | *4 |
| J |  3.5*14 | *16 |

