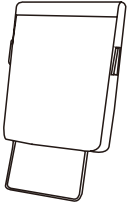
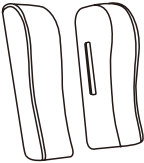
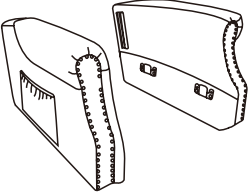
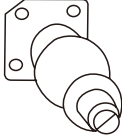
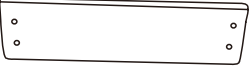
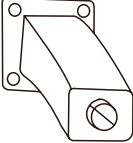
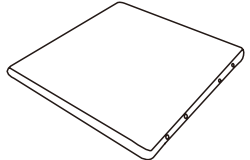
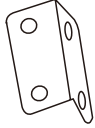
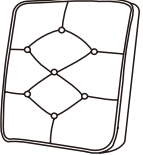
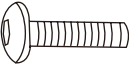
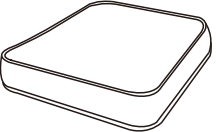


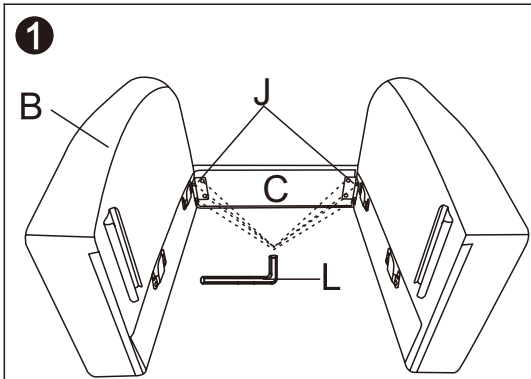
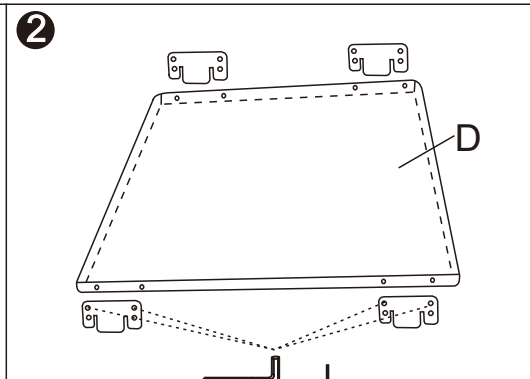


Assembly Instructions

Ax1 	Gx2 
Bx2 	Hx2 
Cx1 	Ix2 
Dx1 	Jx2 
Ex1 	Kx14  M6*16mm
Fx1 	Lx1 
	Mx4 



Remove the bolt and fix B and C with accessory J



Remove the bolt and fix the first row of holes with accessory M on D

