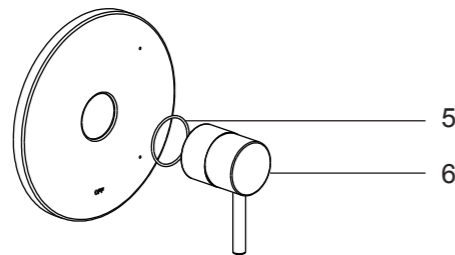
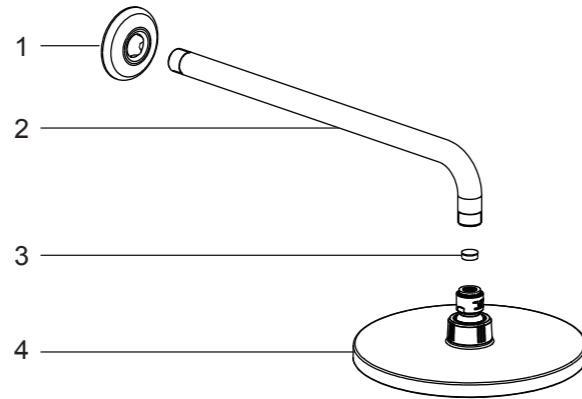


Replacement Parts / Pièces de rechange / Repuestos

NO.	Description	Part No.
1	Flange	5N0C045801CP/AP/HA/HBW0
2	Shower Arm	5P0040901CP/AP/HA/HBW0
3	Flow Restrictor	5D0M0290PL
4	Showerhead	5F0003100CP/AP/HA/HBW0A0
5	O-RING	5R0R0175PL
6	Handle Assembly	5Y0189400CP/AP/HA/HBW0



**Limited Lifetime Warranty**

Ultra Faucets warrants to the original purchaser that its products will be free from defects in workmanship and materials. All Ultra Faucets are provided with a life time limited warranty. This warranty does not cover any other labor or service charges associated with the removal, repair, or reinstallation of Ultra Faucets products. This express warranty does not apply to products that have been damaged as a result of misuse, abuse, negligence, accident, faulty installation or maintenance practices and/or used in any manner contrary to those recommended by the manufacturer.

**Need help?** Please call our toll-free customer service line at 1-888-658-5872 for additional assistance or service.

**Besoin d'aide?** Veuillez communiquer avec notre service à la clientèle au numéro gratuit 1-888-658-5872 pour tous renseignements ou services complémentaires.

**¿Requiere asistencia?** Llame a nuestro Servicio al Cliente, sin costo, al 1-888-658-5872 para asistencia adicional o servicio.

UF79500-1  
UF79503-1  
UF79505-1  
UF79507-1

**EURO Collection**  
Single Handle Shower Only Trim



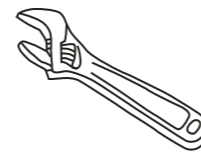
**Installation/Installation/Instalación**

**CUSTOMER SERVICE**  
**TOLL-FREE 1-888-OK-ULTRA (658-5872)**

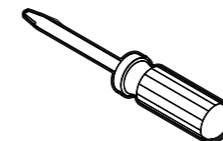


UF79500-1 - Polished Chrome  
UF79503-1 - PVD Brushed Nickel  
UF79505-1 - Oil Rubbed Bronze  
UF79507-1 - Matte Black

Tools You Will Need / Outils dont vous aurez besoin / Herramientas necesarias



Adjustable Wrench  
Clé à molette  
Llave ajustable



Phillips Screwdriver  
Tournevis Phillips  
Destornillador cruciforme



Pipe Tape  
Ruban pour tuyau  
Cinta selladora para rosca



Groove join pliers  
Pince multiprise  
Pinzas ajustables

**SAFETY TIPS**

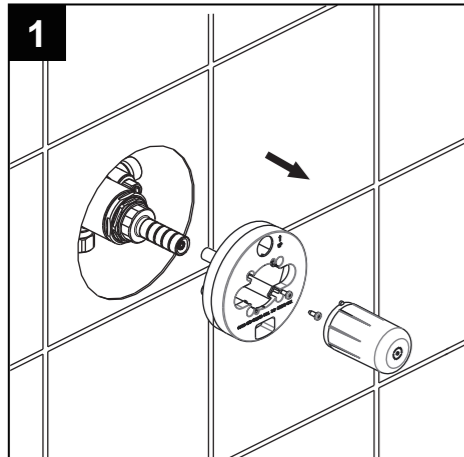
- If you use soldering for the installation of the faucet, the seats, cartridges and washers will have to be removed before using flame. Otherwise, warranty will be void on those parts.
- Cover your drain to avoid losing parts.
- 0°C~55°C.

**CONSIGNES DE SÉCURITÉ**

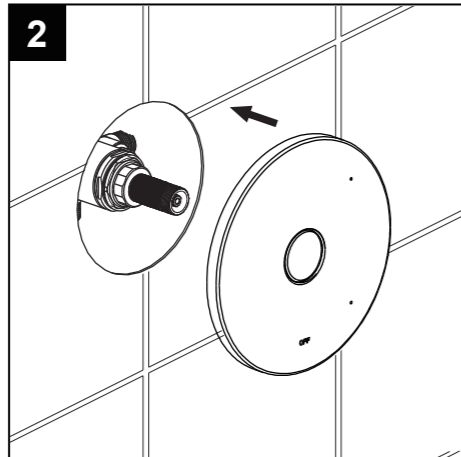
- Si vous posez le robinet par brasage, il est essentiel de retirer les sièges, les cartouches et les rondelles avant d'appliquer la flamme, faute de quoi la garantie sur ces pièces sera annulée.
- Couvrez le drain pour ne pas perdre des pièces.
- 0°C~55°C.

**CONSEJOS DE SEGURIDAD**

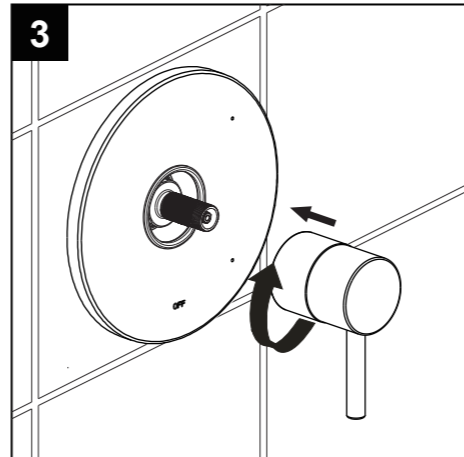
- En el caso de utilizar soldadura para instalar el grifo, remueva los asientos, cartuchos y arandelas antes de usar la llama. De lo contrario, se anulará la garantía para esos componentes.
- Tape la boca del desagüe para prevenir la pérdida de piezas pequeñas.
- 0°C~55°C.



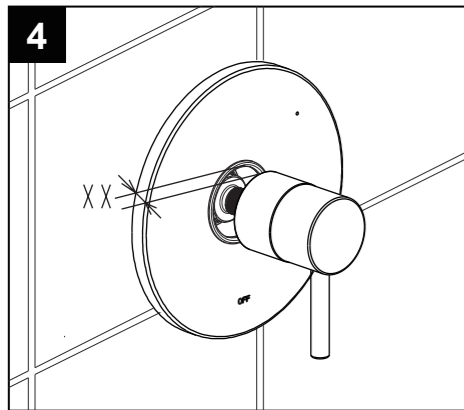
Remove the mud guard.



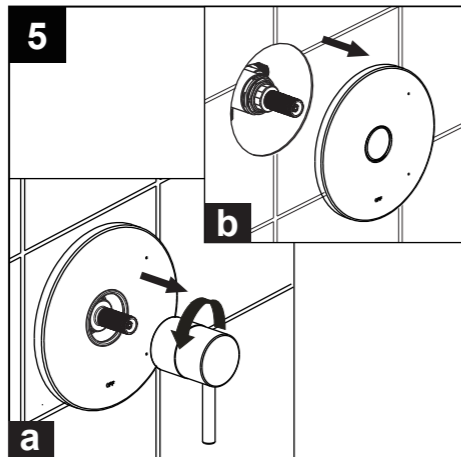
Carefully slide the escutcheon onto the valve.



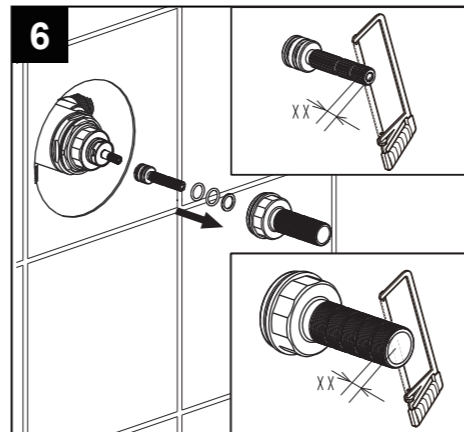
Place handle assembly on valve and rotate clockwise to secure escutcheon.



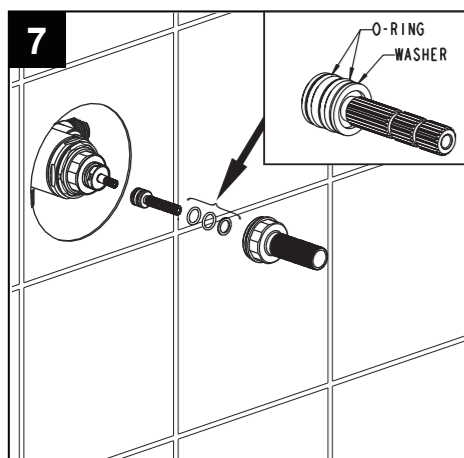
If handle assembly will not secure escutcheon to the wall, measure and note the distance 'XX' (the distance between the bottom of the handle assembly and the escutcheon)



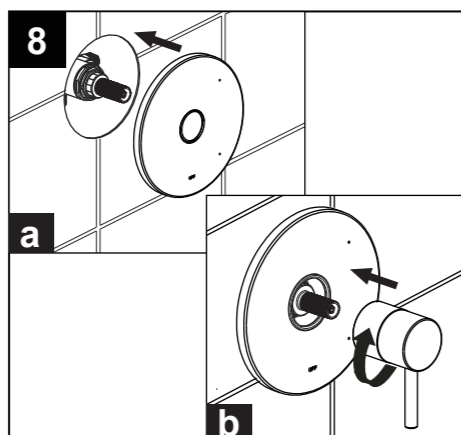
Unscrew the handle assembly anti-clockwise from valve and remove the escutcheon.



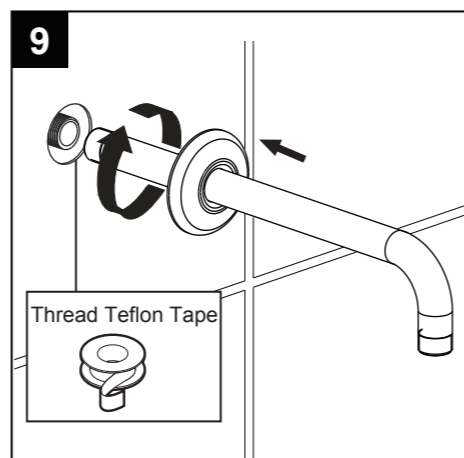
Cut stem and nipple the amount noted in step # 4. (Never cut the stem and nipple while still on the valve. This may damage the valve.)



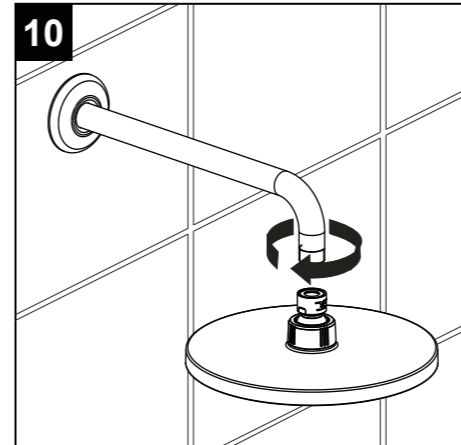
Re-install the trimmed stem and nipple on the valve.



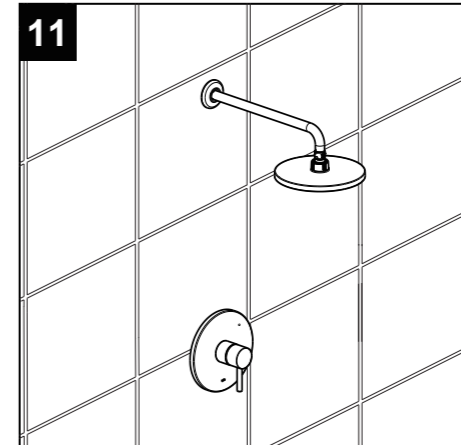
Carefully slide the escutcheon onto the valve and place handle assembly on valve and rotate clockwise to secure escutcheon.



Apply teflon tape to the shower arm and thread clockwise onto the nipple. Then slide the flange down.



Thread the shower head clockwise onto the shower arm.



Installation completed.