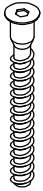


Ax1



Bx1



Cx2



Dx8



Ex4



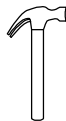
Fx1



Gx4



Hx4

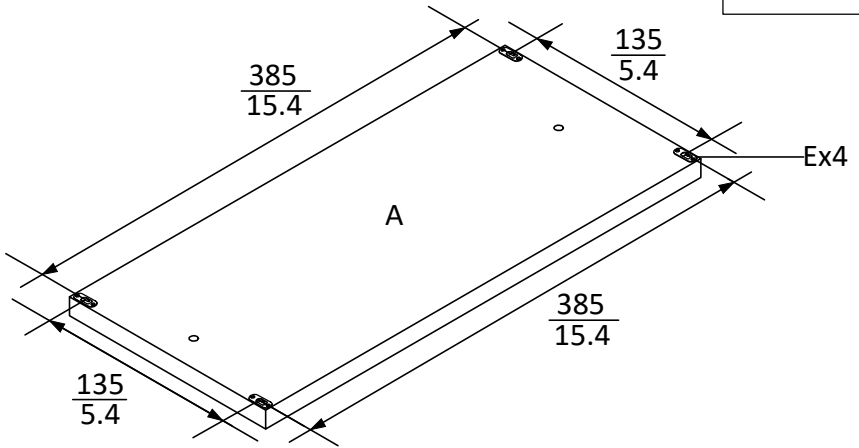


mm
inch

x1

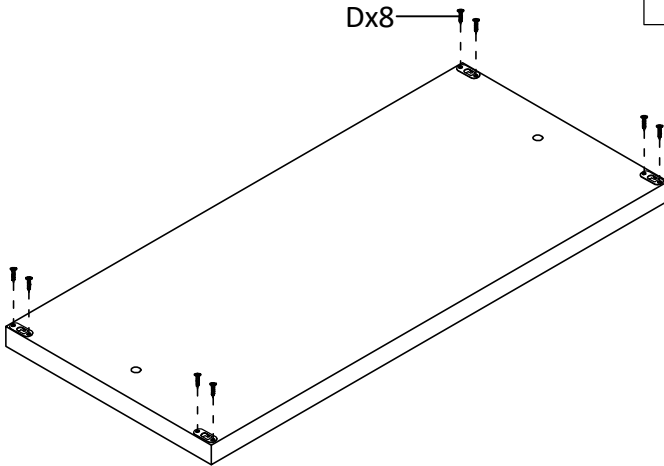
①

Ex4

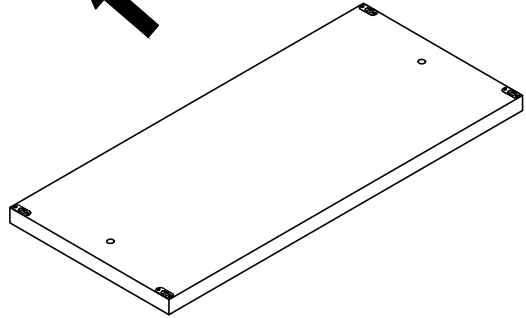
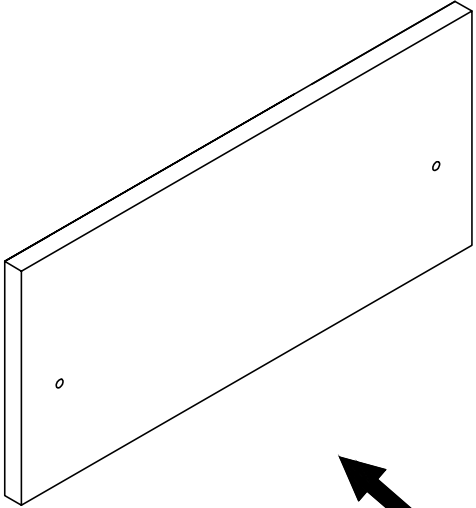
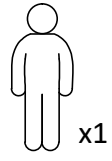
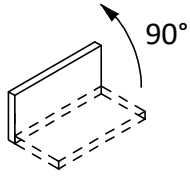


②

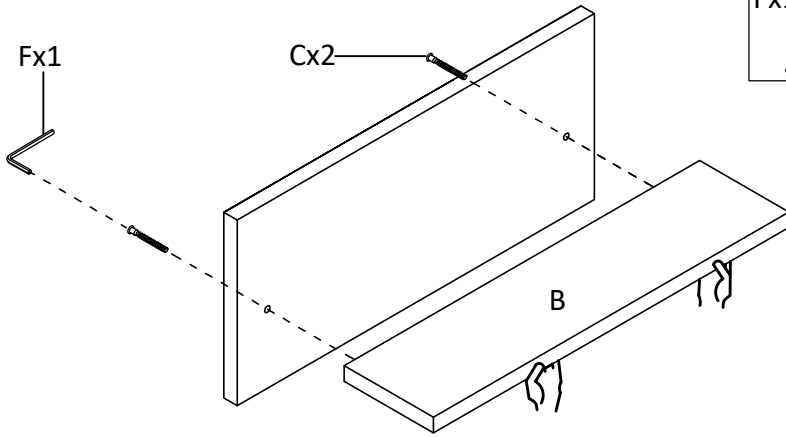
Dx8



3



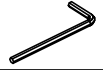
④



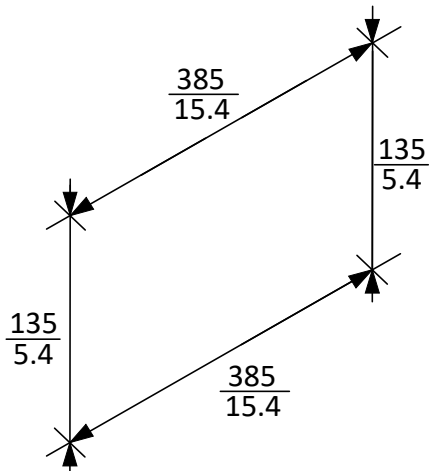
Cx2



Fx1



⑤



6

Gx4



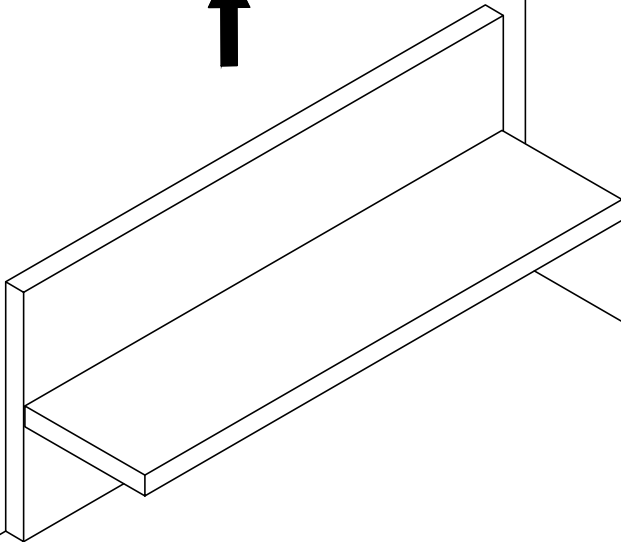
Hx4



Gx4



Hx4



7

