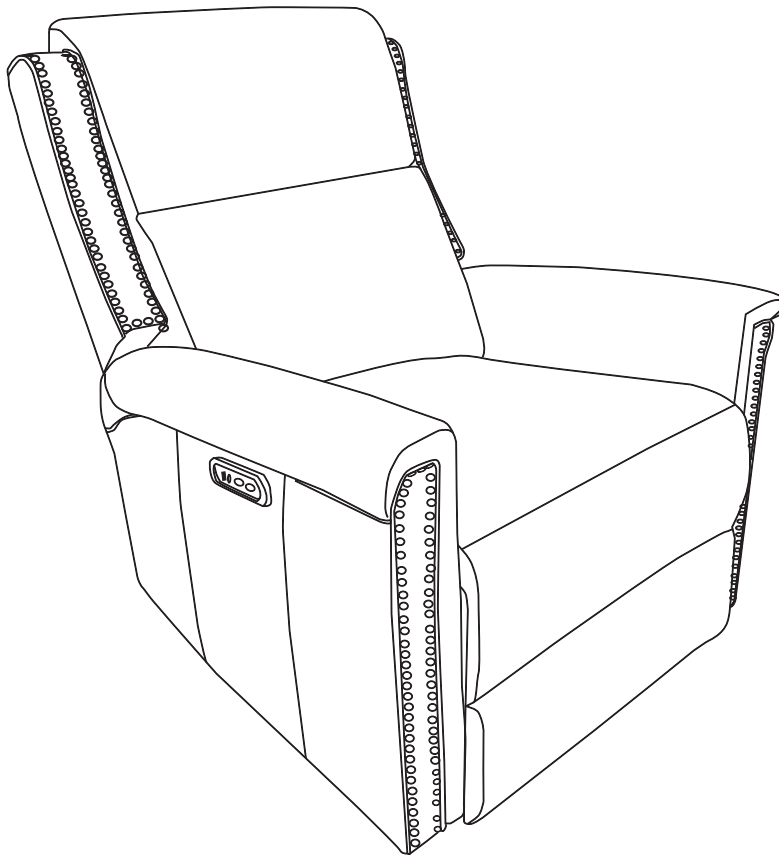


Owner Manual



Per Seat Weight Limitation

300 LBS

Thank You For Choosing Our Furniture

- ▀ If you have any questions or concerns, don't hesitate to reach out to us.

NOTE:







This brochure contains **IMPORTANT** safety info. Please read and keep it for future reference.

MAINTENANCE AND WARNINGS



Before You Start

Please follow the steps below:




-  **Un box the package and check if all parts and accessories are complete.**
-  **Place the parts of the chair on a flat surface.**
-  **Ensure the chair is placed on a stable, flat surface to prevent it from tilting.**
-  **Avoid placing sharp or heavy objects directly on the chair to prevent tears or deformation.**
-  **Clean the installation area in advance and ensure the ground is level and there is enough space to avoid damaging the furniture or making installation difficult.**
-  **Lay a protective mat on the ground to prevent scratching the floor during installation.**

After-Sales Service

- **If you encounter any issues or need technical support during use, please contact our after-sales team. We offer long-term maintenance and warranty services.**





Precautions

-  **This chair is for indoor use only. Do not expose it to outdoor elements or high-humidity environments.**
-  **Keep the product away from high heat or open flames to prevent fire hazards.**
-  **Do not allow children or pets to play on the chair unsupervised to avoid accidents.**



Safety Warnings

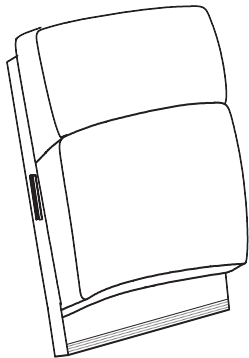
-  **If you notice any loose or damaged parts, stop using the sofa immediately and contact customer service.**
-  **Do not attempt to disassemble or replace any components yourself, as this may affect the stability and safety of the product.**

Daily Maintenance

- **Regularly clean the surface of the sofa with a chair cloth to prevent dust accumulation.**
- **For fabric chairs, it is recommended to vacuum weekly and clean the fabric as needed.**
- **For leather chairs, use a leather cleaner regularly to clean and maintain the material. Avoid direct sunlight to prevent leather aging.**
- **In case of spills, immediately blot the area with a clean, dry cloth**

Parts List

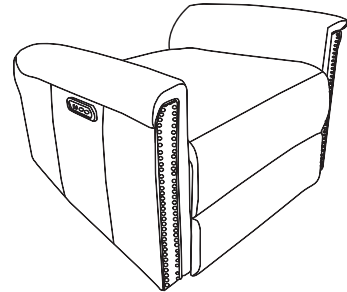
A



x1

Seat cushion

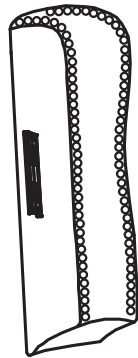
B



x1

Backrest

C



x1

Left armrest

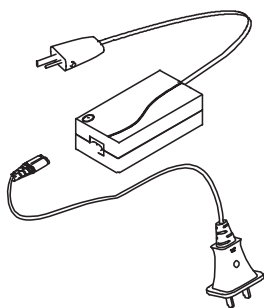
D



x1

Right armrest

E



Power source

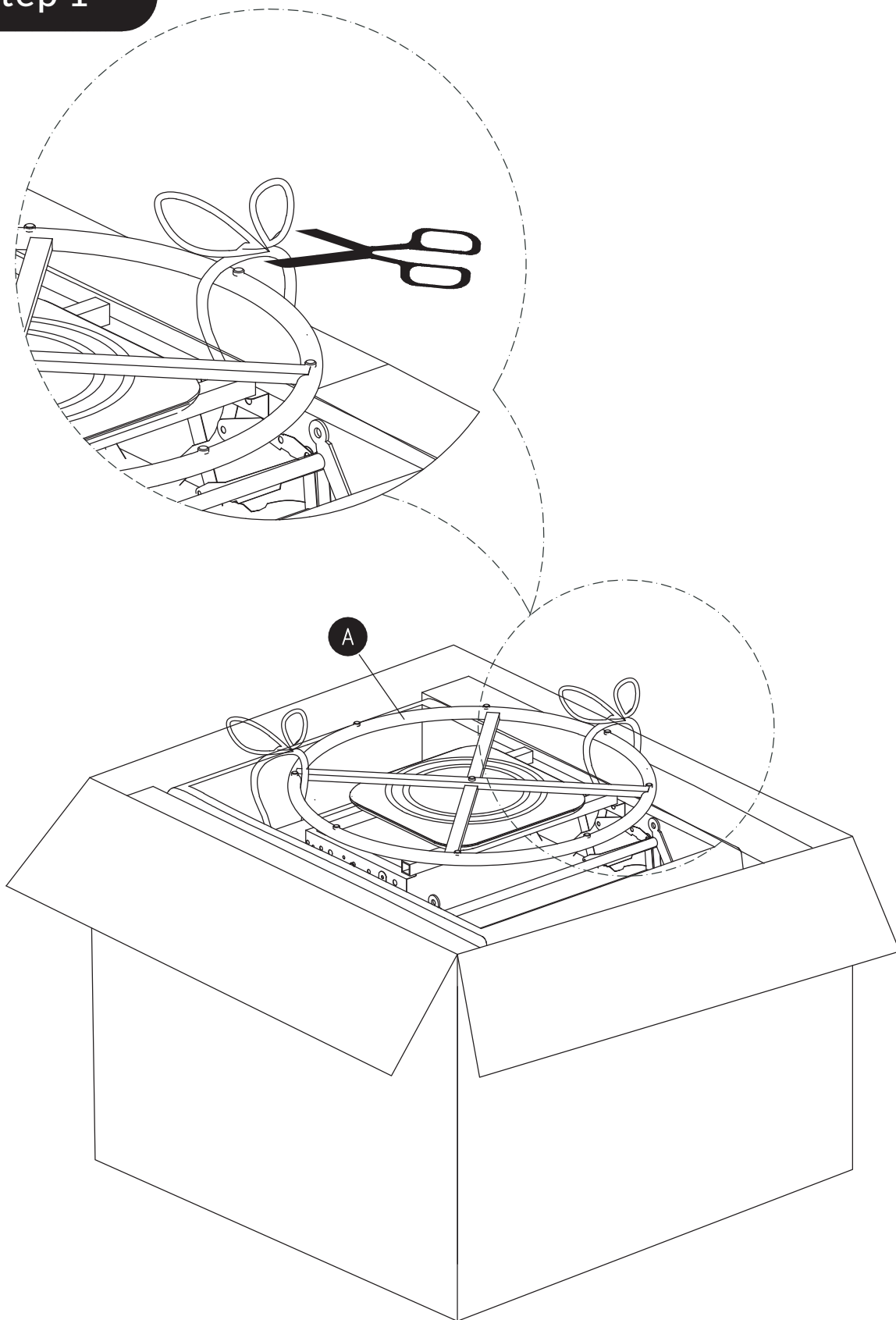


Installation:
15minutes.



Two Person

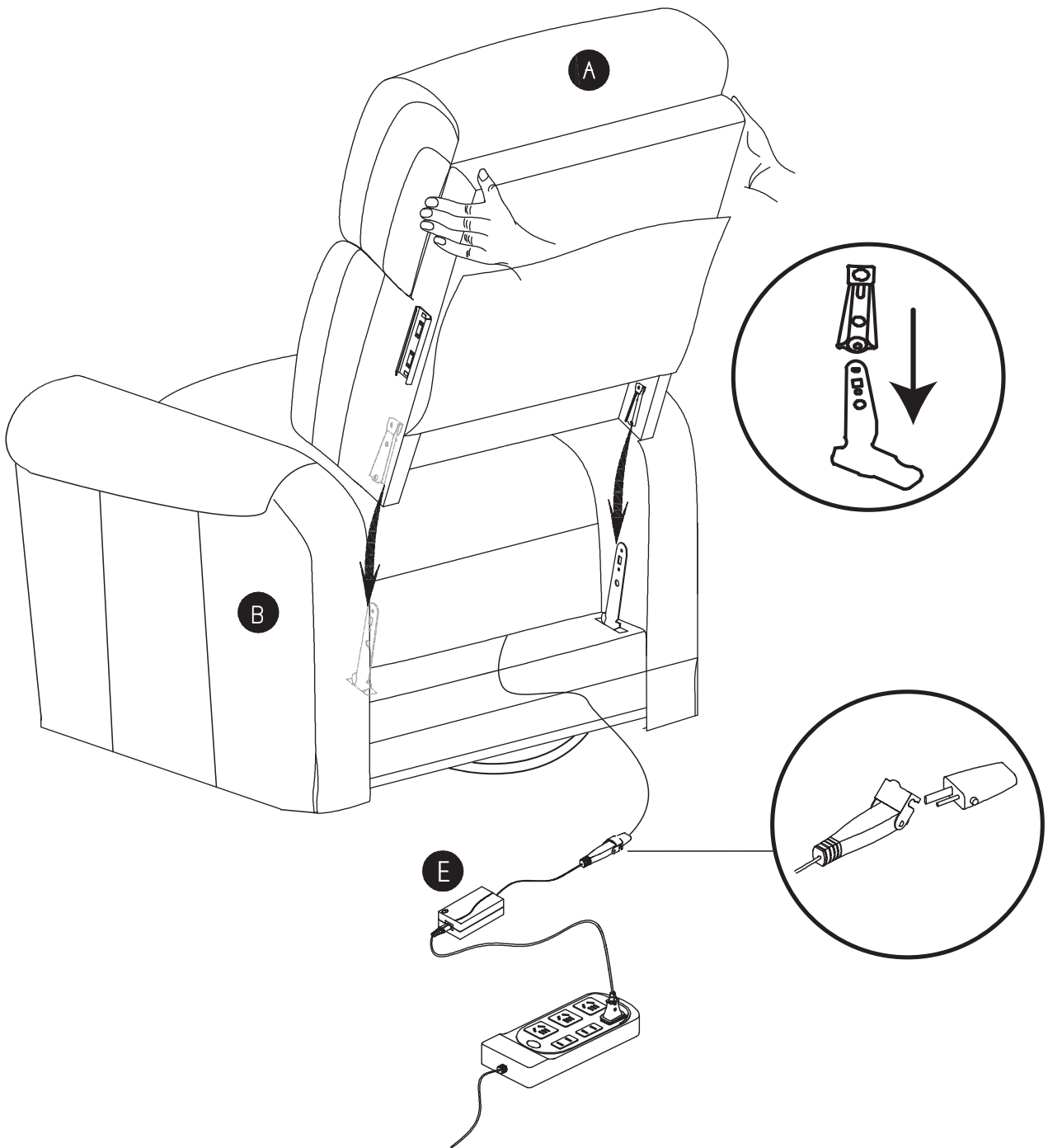
Step 1



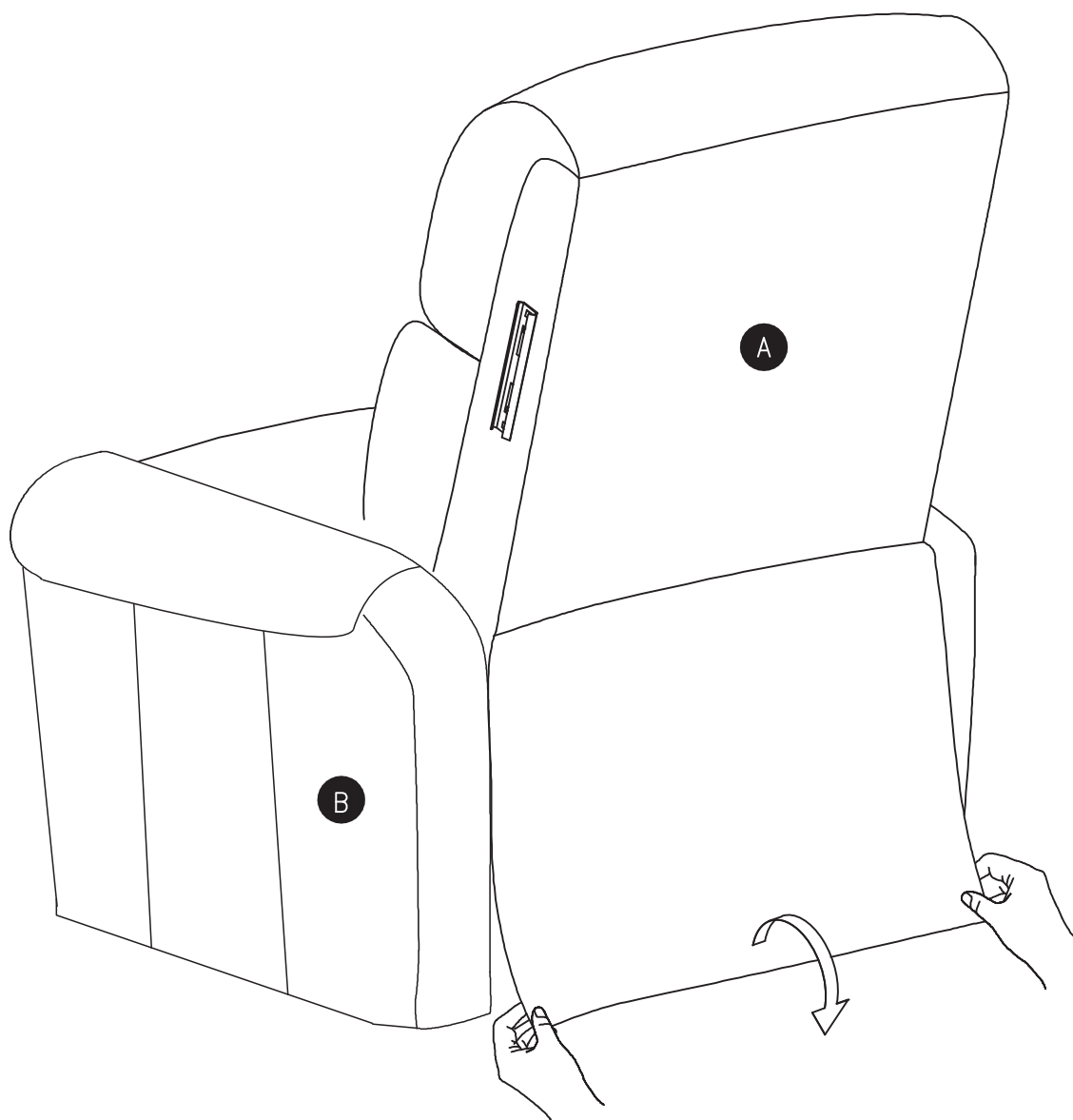
Step 2



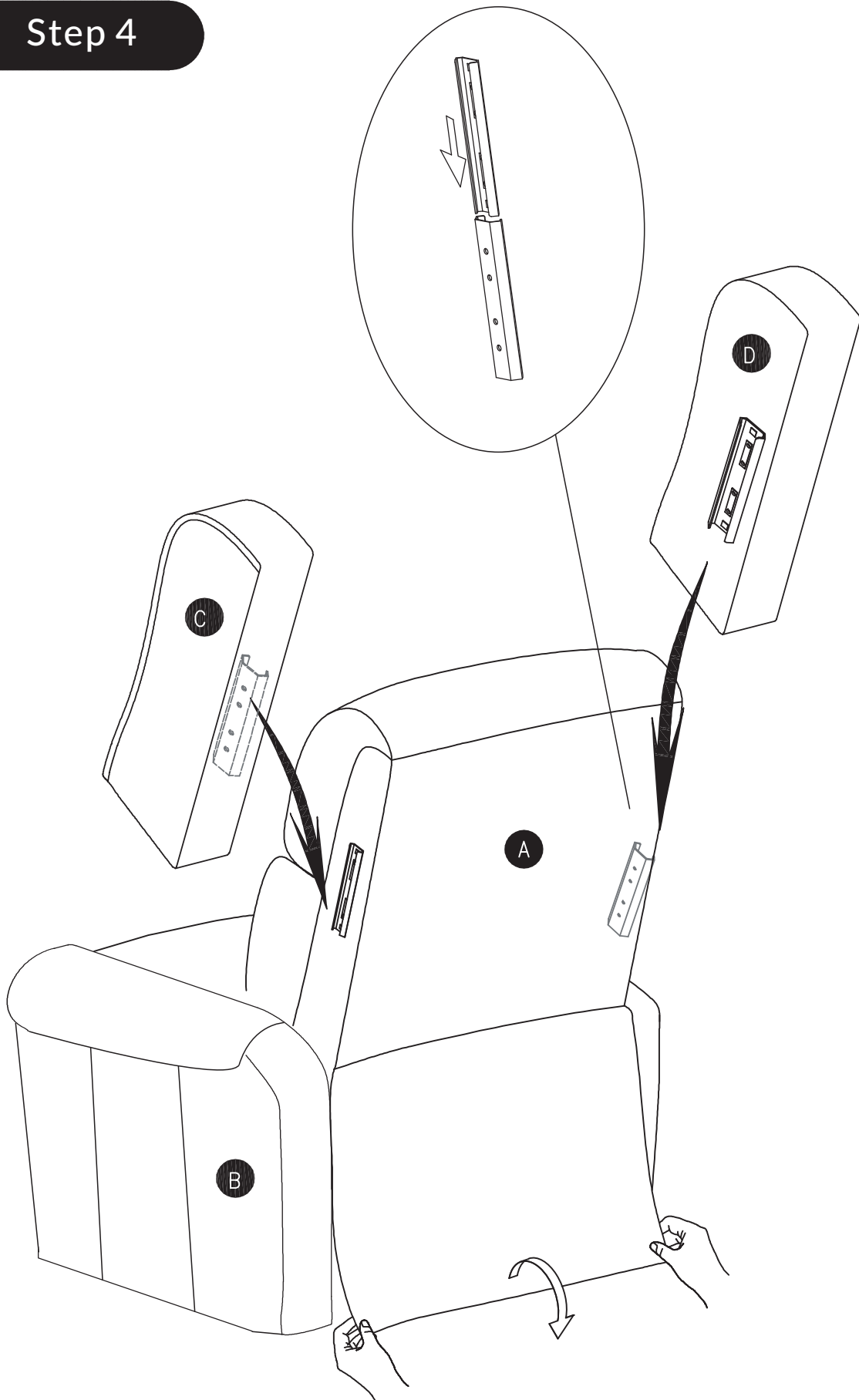
Be sure to have adult partner help to hold both armrests while aligning metal brackets on backrest/armrests.



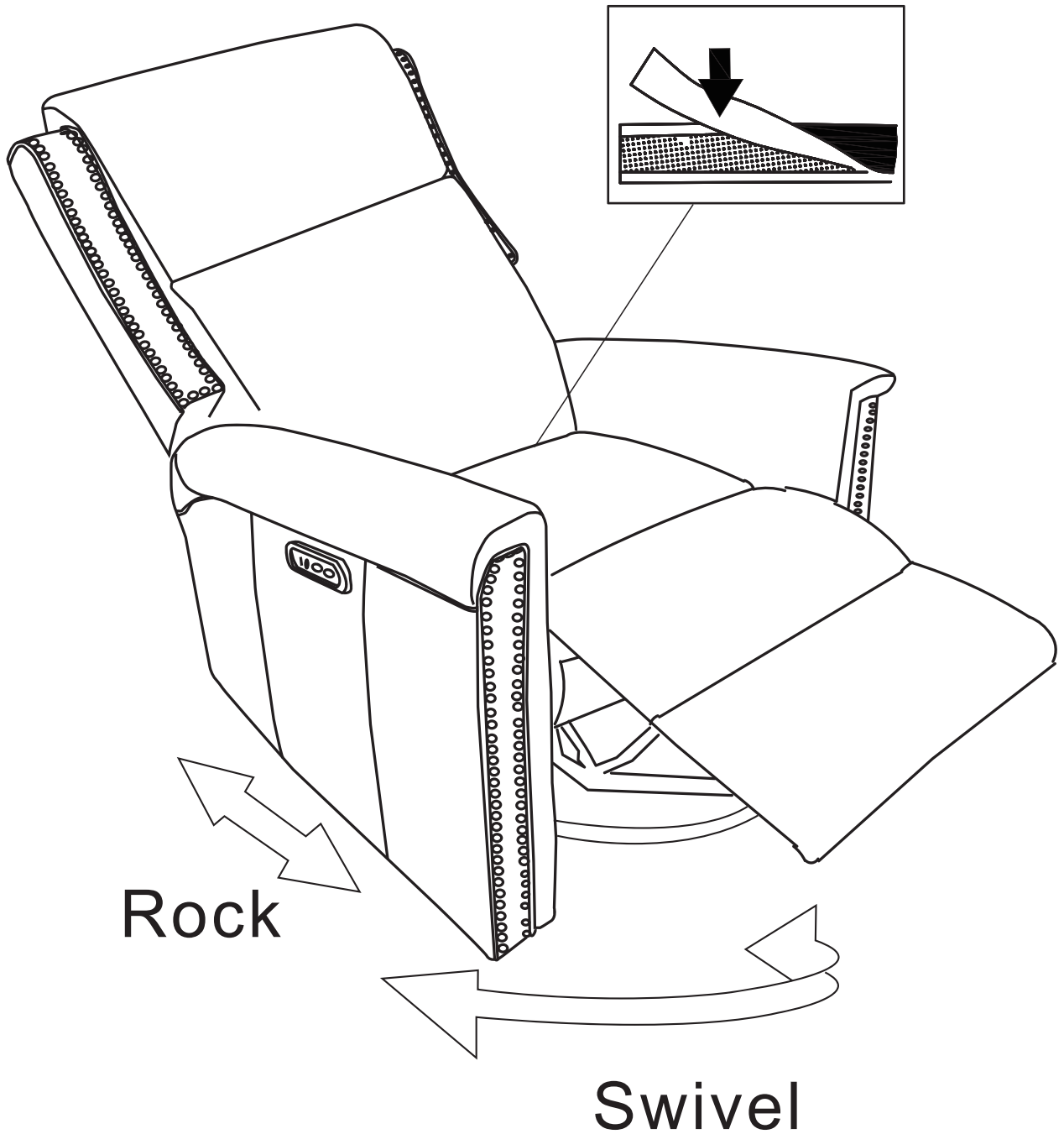
Step 3



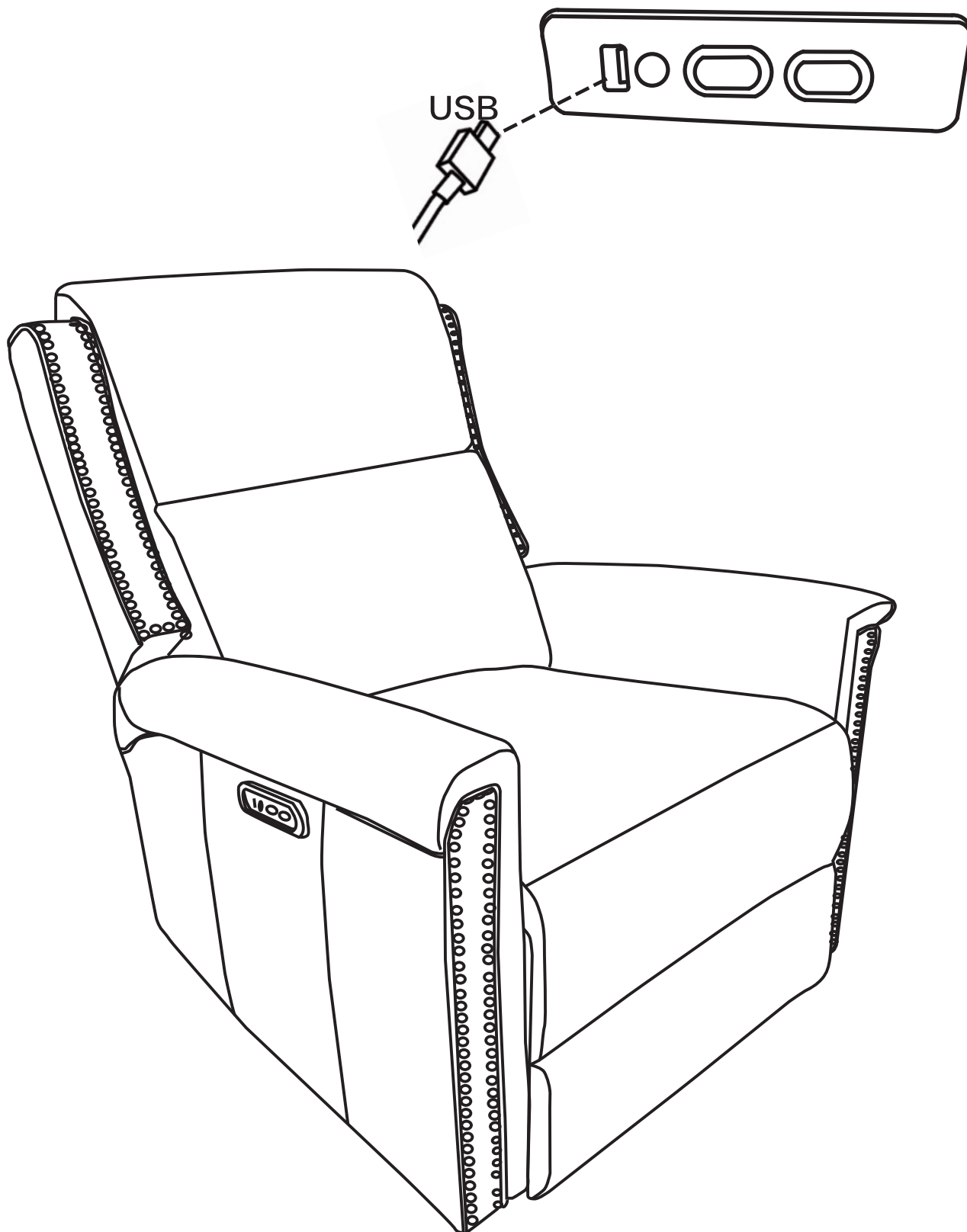
Step 4



Step 5



Step 6



WARRANTY

- **We strive to offer quality products, and we also try our best to satisfy every customer who orders from us with products or services as needed.**

- **We provide 30 days warranty starting from the time you receive the item. Each customer must provide a record of their orders such as the order number, or item receipt for any items that are out of the warranty period you may also still receive.**

- **Replacement parts by purchasing them from our company if they are available.**

- **For return, please check the return policy with the retailer or market place you bought from**

**Appreciate your purchasing from us.
Pop up your life by our furniture piece!**