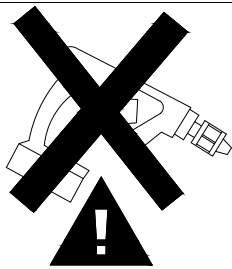
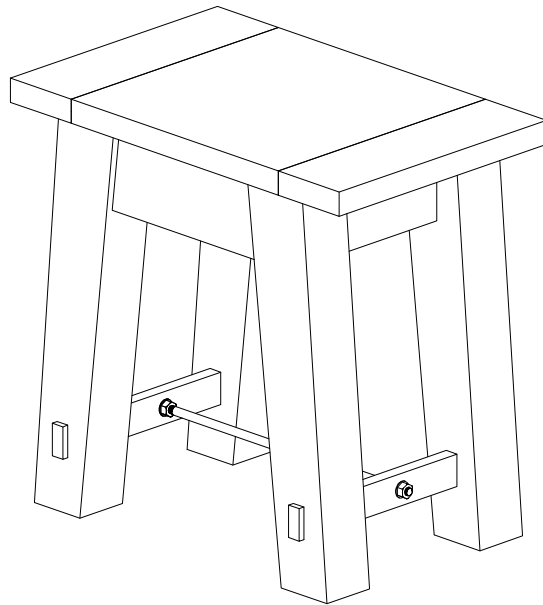
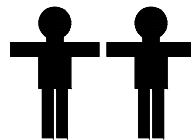


# ASSEMBLY INSTRUCTION

## END TABLE

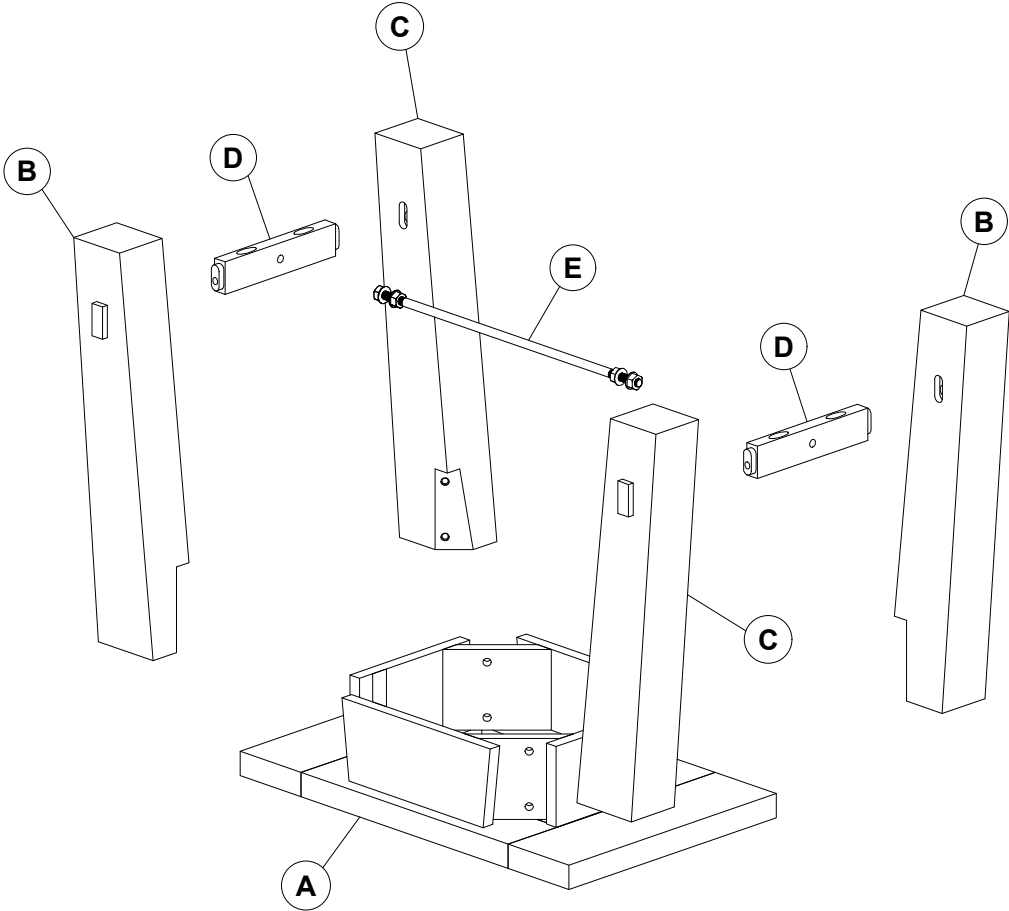


**. Use of power tool to assemble this product will invalidate any claim and damage this product making it unsafe !!!**  
**. Please assemble on a clean soft surface to avoid damage.**





**30 minutes**


# Part list-End Table



Identifying the hardware-Identify the hardware using the illustrations below

**F**  **08**  
**M6x45MM BOLT**

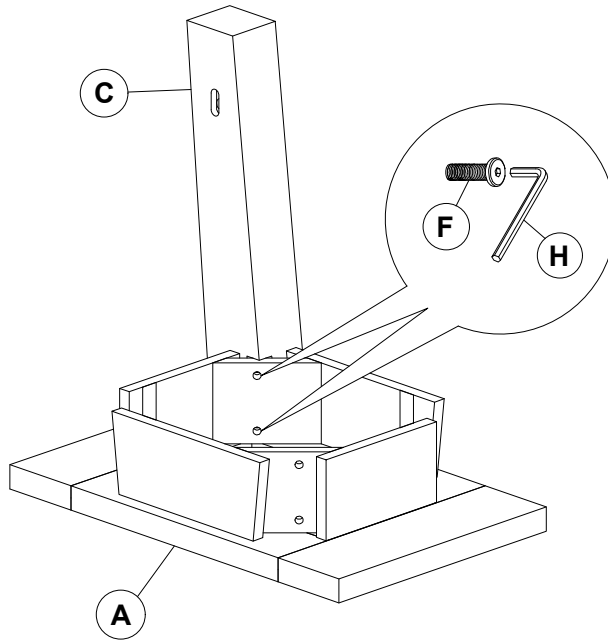
**G**  **04**  
**M6x60MM BOLT**

**H**  **01**

## Step 01

**F**  **02**  
M6x45MM BOLT

**H**  **01**

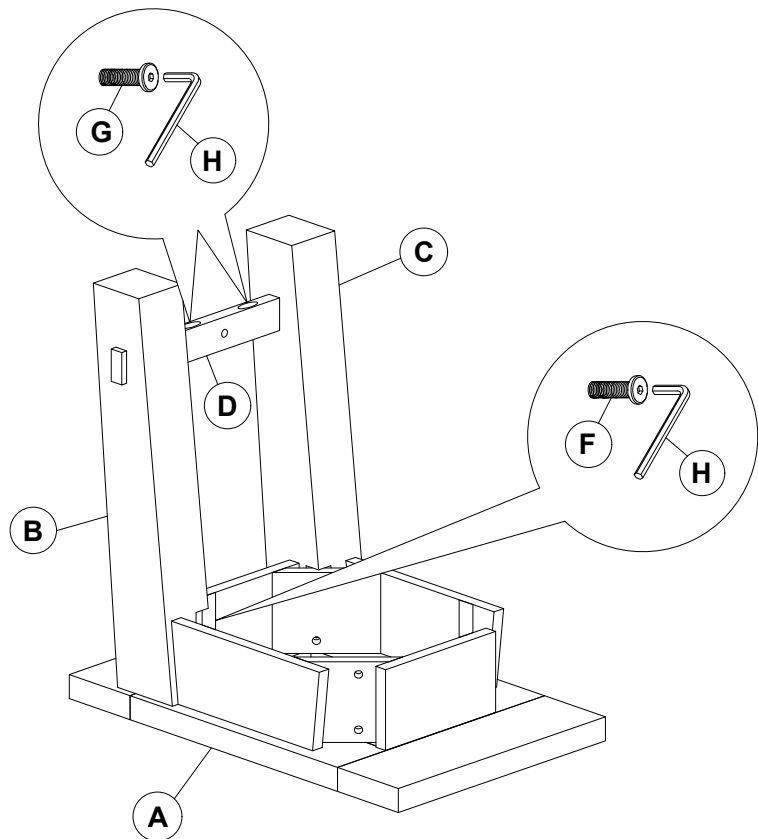


## Step 02

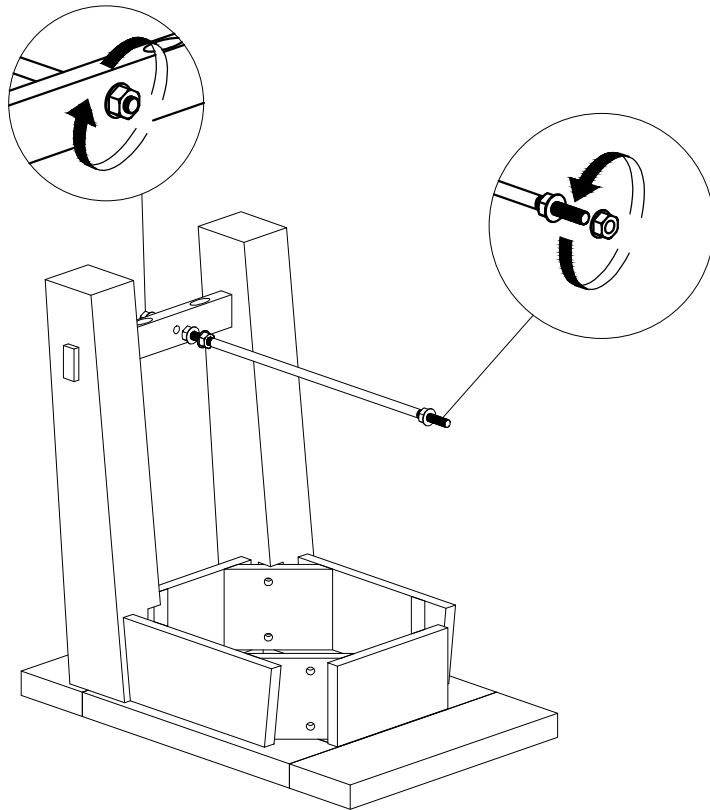
**F**  **02**  
M6x45MM BOLT

**G**  **02**  
M6x60MM BOLT

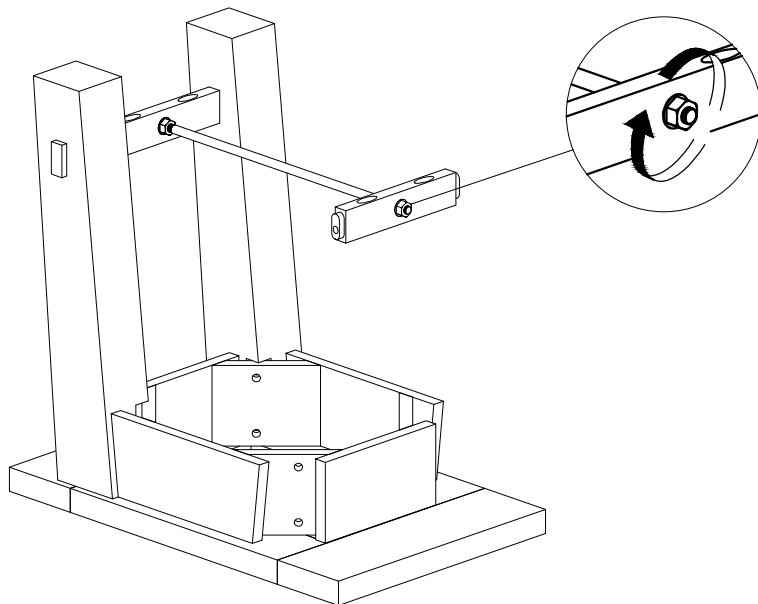
**H**  **01**




### Step 03





### Step 04



# Step 05

**F**  **02**  
M6x45MM BOLT

**G**  **02**  
M6x60MM BOLT

**H**  **01**

