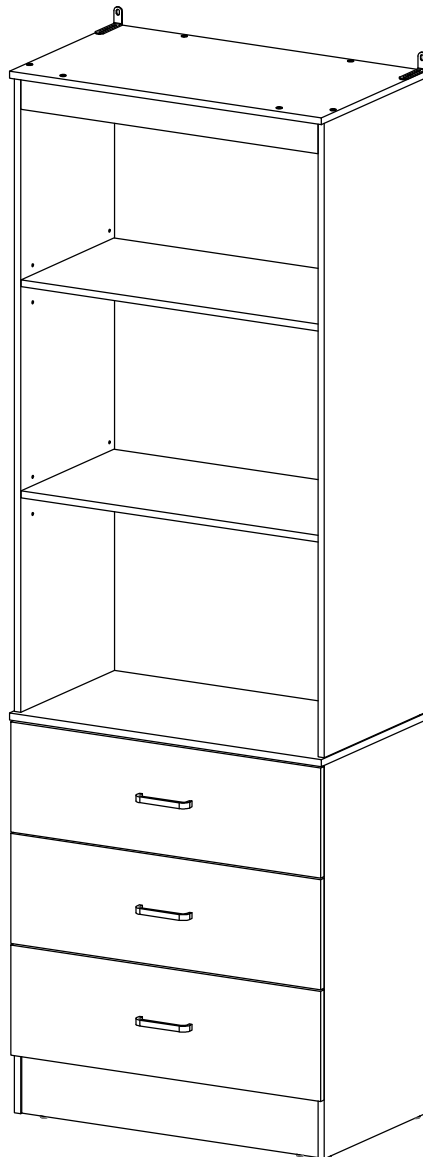


Tall Storage Cabinet

ASSEMBLY INSTRUCTION



(Note:Two people are recommended to install, which will greatly improve your installation efficiency.)

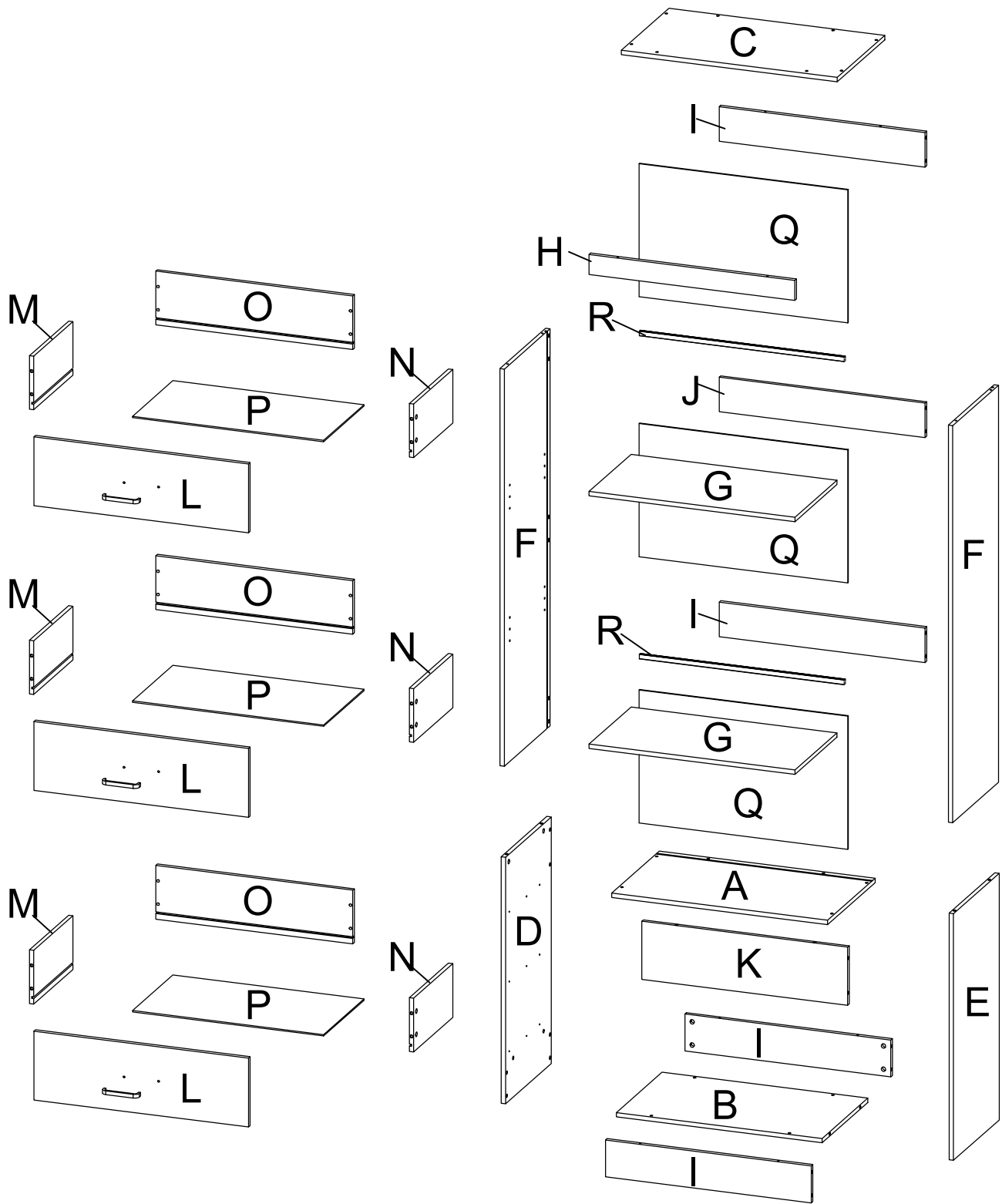
Thank you for purchasing our products.

As a reliable seller, we have been pursuing to provide customers with 100% satisfied products and services, so we hope that you will enjoy this shopping experience.

If you find any damage, missing parts, or dissatisfaction after receiving the product, please feel free to contact us the first time, We will provide you with a 100% satisfactory solution.

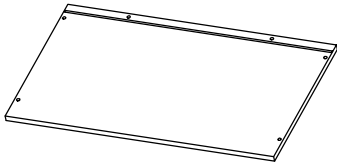
TIPS:

1. Please read this instruction manual carefully, follow it step by step and pay attention to the notes, you will assemble it quickly, safely and correctly.
2. Two people are recommended to install, which will greatly improve your installation efficiency.
3. Put the screws in loosely until all pieces are together and then tighten them all. It will save your time if you make a mistake while installing

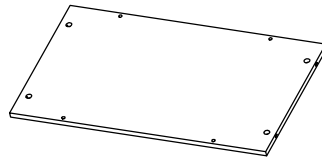


PART LIST

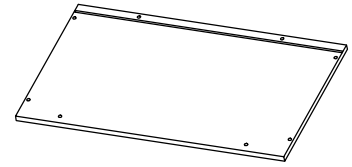
A x 1pc



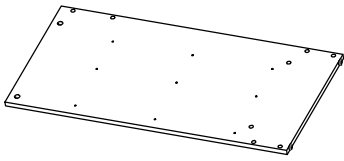
B x 1pc



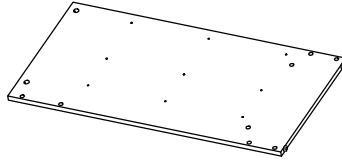
C x 1pc



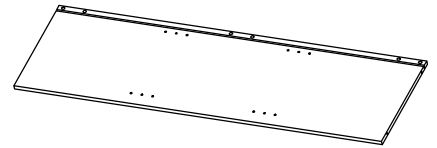
D x 1pc



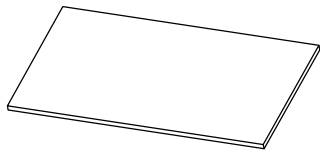
E x 1pc



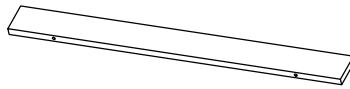
F x 2pcs



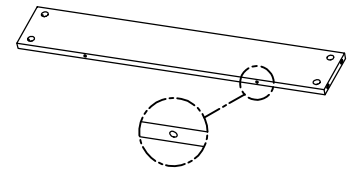
G x 2pcs



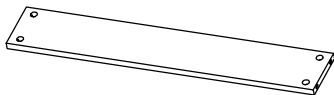
H x 1pc



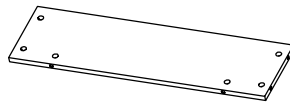
I x 4pcs



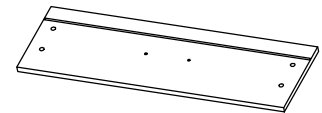
J x 1pc



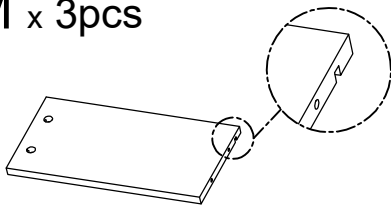
K x 1pc



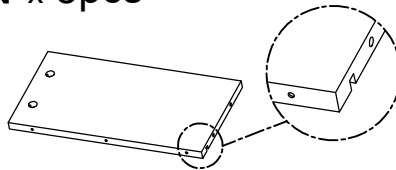
L x 3pcs



M x 3pcs



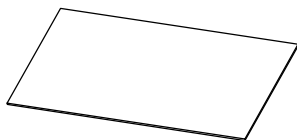
N x 3pcs



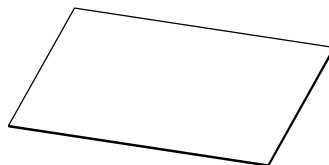
O x 3pcs



P x 3pcs



Q x 3pcs

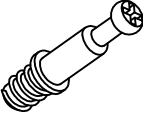

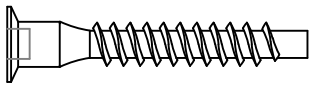

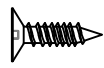
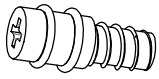
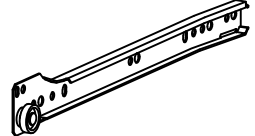
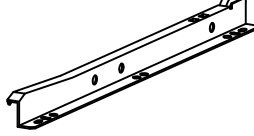
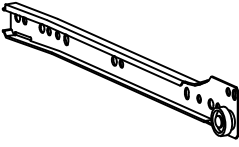
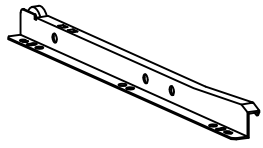
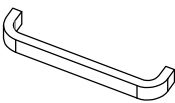
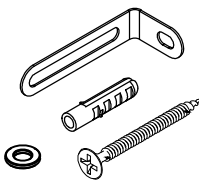
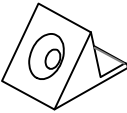
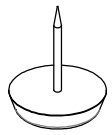
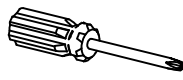
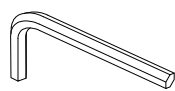


R x 2pcs



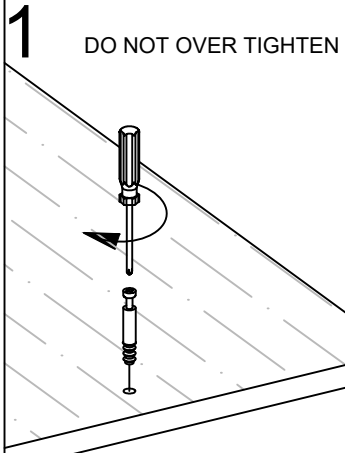
570mm

HARDWARE LIST

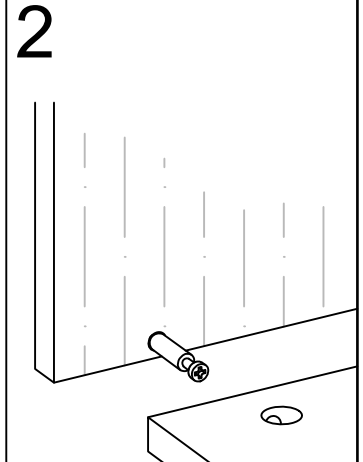
<p>①</p>  <p>M6x28 46 pcs</p>	<p>②</p>  <p>Ø12 46 pcs</p>	<p>③</p>  <p>M6x40 30 pcs</p>
<p>④</p>  <p>M4x16 6 pcs</p>	<p>⑤</p>  <p>M3x12 48 pcs</p>	<p>⑥</p>  <p>8 pcs</p>
<p>⑦</p>  <p>300L 3 pcs</p>	<p>⑧</p>  <p>300L 3 pcs</p>	<p>⑨</p>  <p>300L 3 pcs</p>
<p>⑩</p>  <p>300L 3 pcs</p>	<p>⑪</p>  <p>3 pcs</p>	<p>⑫</p>  <p>M4x40 2 pcs</p>
<p>⑬</p>  <p>12 pcs</p>	<p>⑭</p>  <p>8 pcs</p>	<p>⑮</p>  <p>1 pc</p>
<p>⑯</p>  <p>M4 1 pc</p>		

How to install Camlocks

Connect the male camlock as directed in the assembly instructions with a screwdriver.

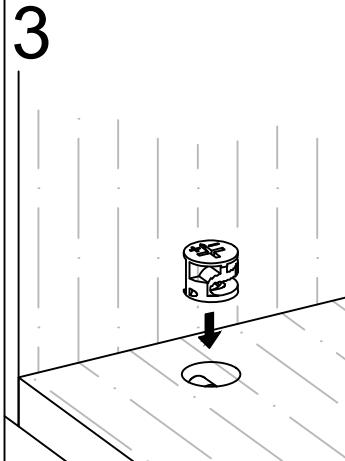


Put the male camlock into the entry hole.



Insert the female camlock as shown in the instruction.

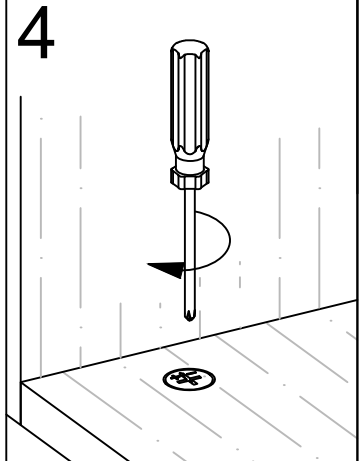
Note: ensure that the arrow on the top of the camlock points toward the entry hole for the male camlock.



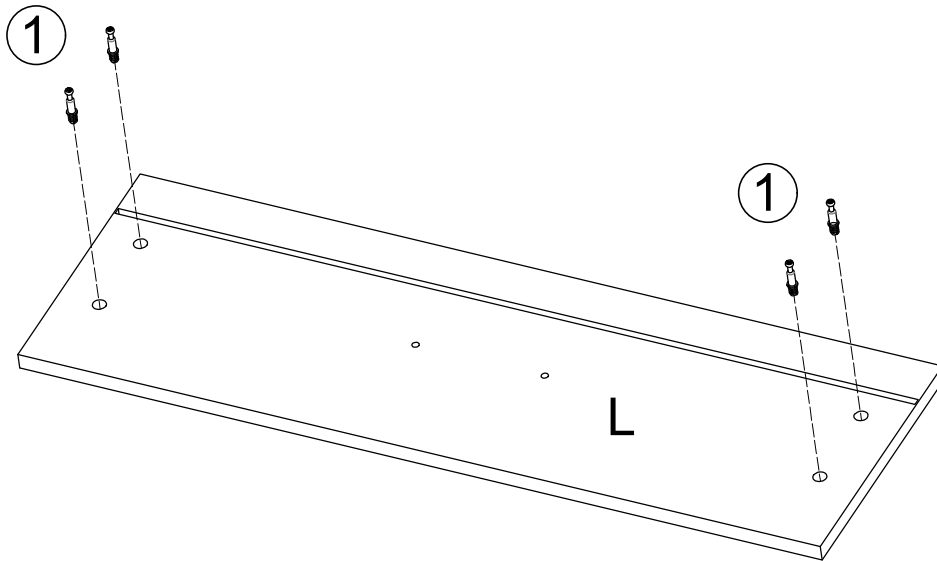
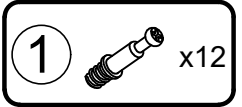
Screw the female camlock clockwise with a screwdriver.

You will feel a click when the camlock is locked in place.

The camlock is now completed.

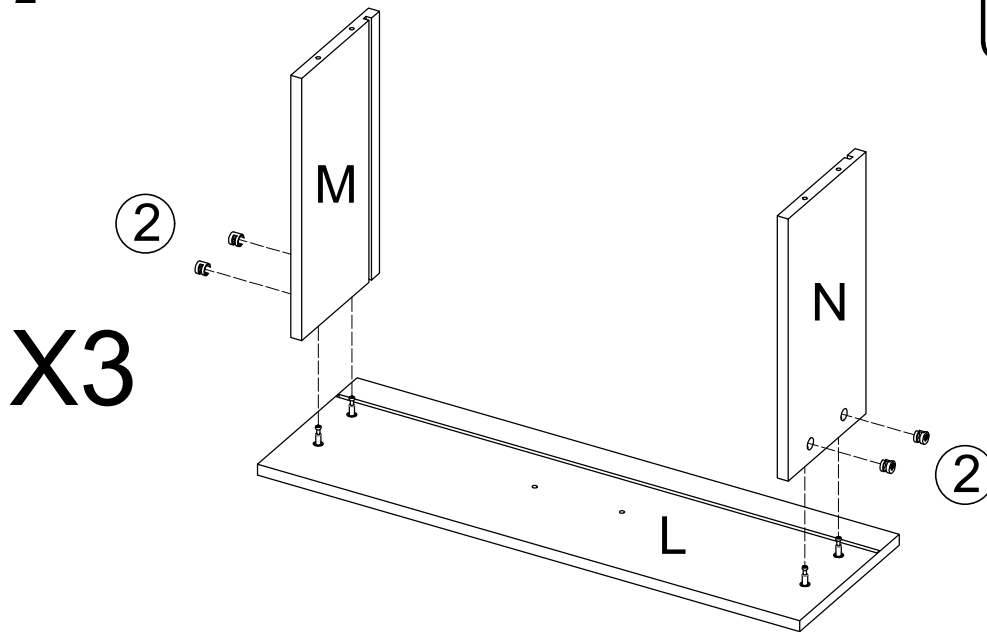
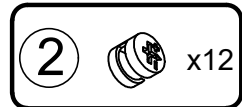


STEP 1

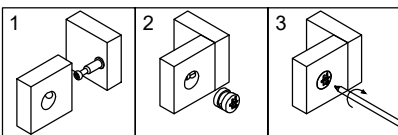


X3

STEP 2



X3

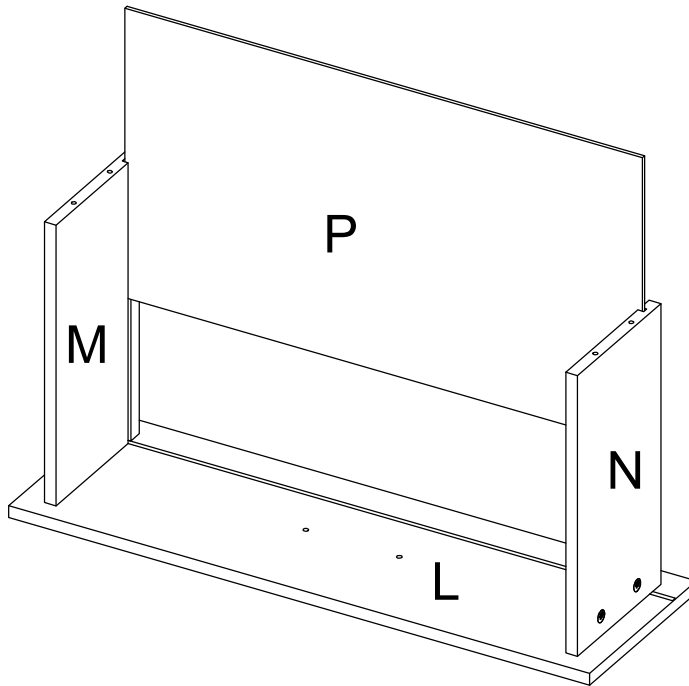


Cam Lock Fastening System

Please point the arrow upward to the mounting hole when installing Part ②. then use screwdriver to tighten it in the "+" direction.

STEP 3

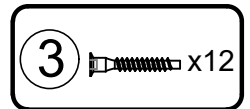
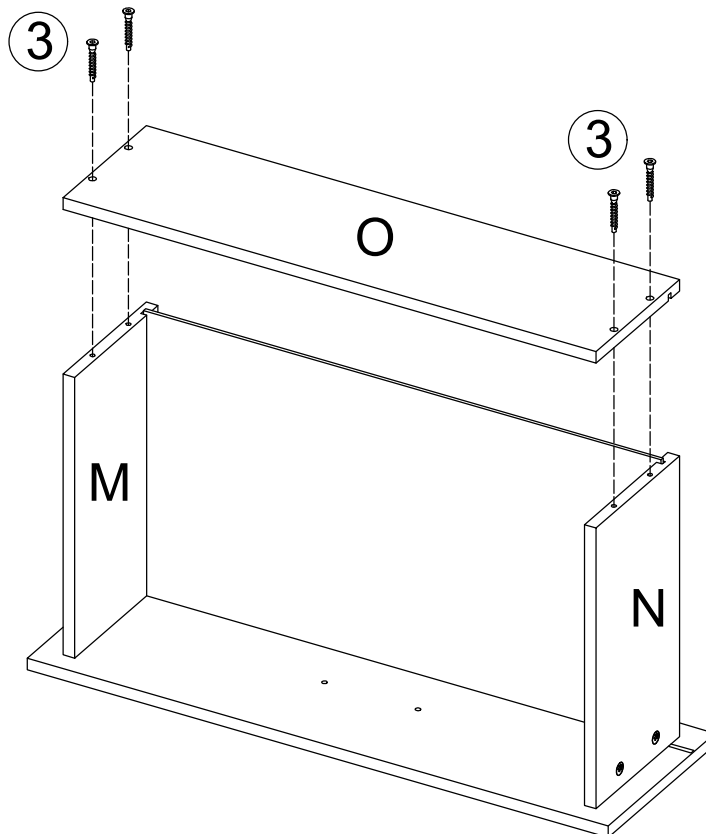
X3



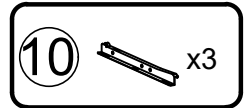
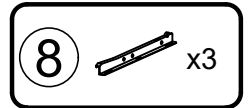
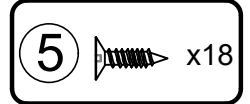
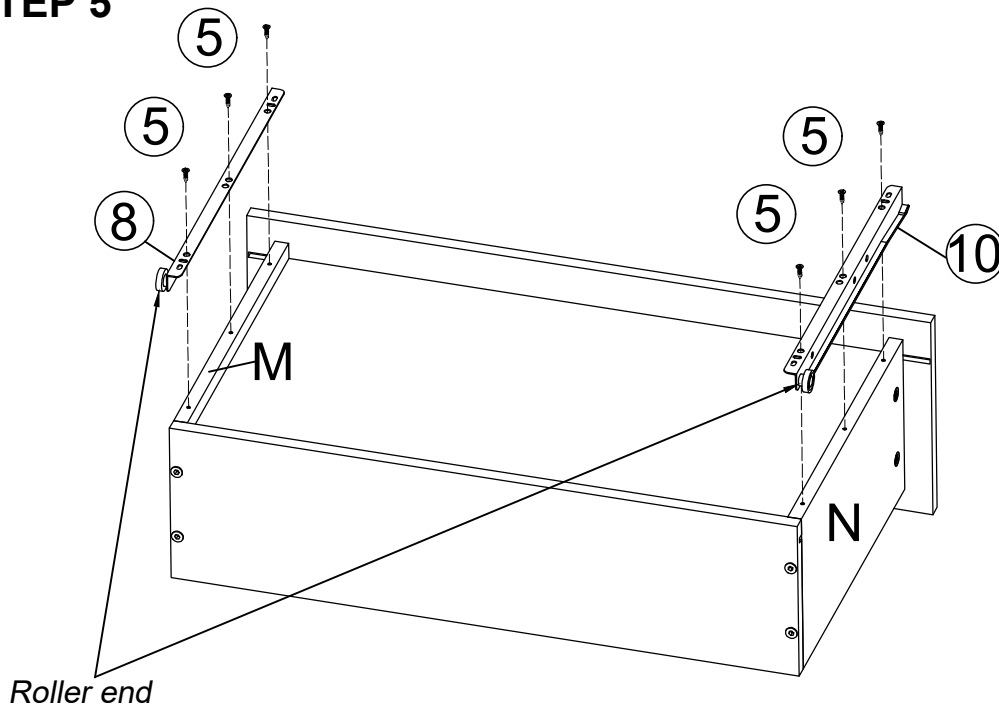
Please make sure part "P" is fully seated in part "L"

STEP 4

X3

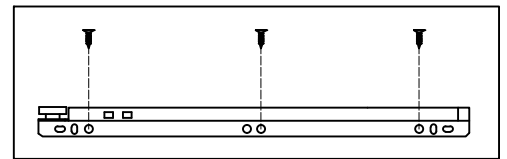


STEP 5

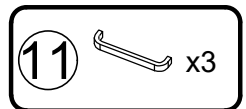
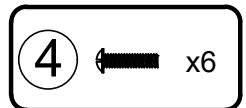
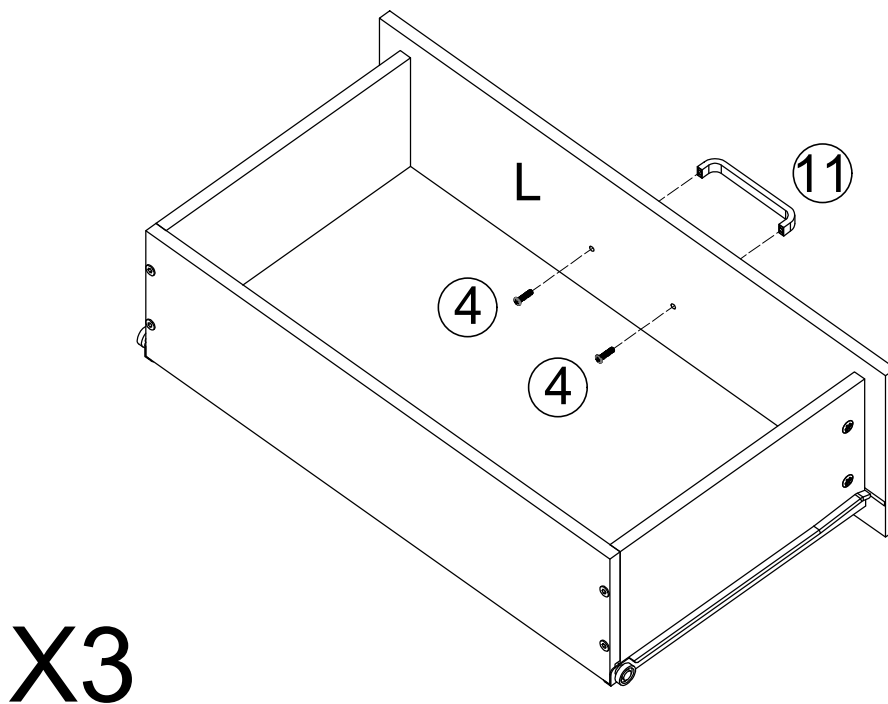


X3

Note the direction of the rollers on the slide rail



STEP 6





X3


NOTICE:
The installation for all the three cabinet drawers is base on the 1-6 steps above.

STEP 7

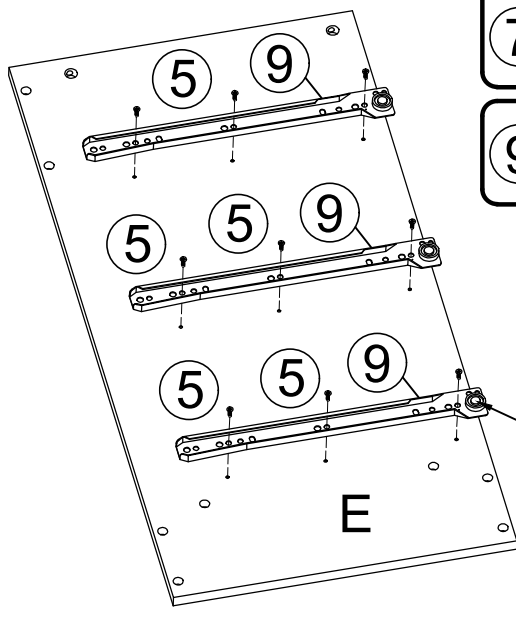
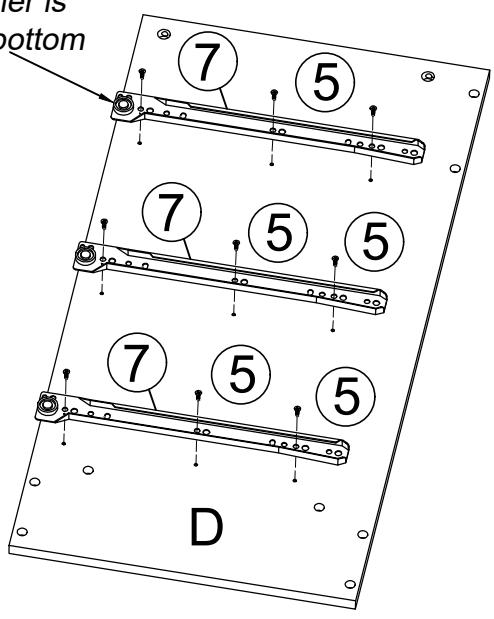
Note the direction of the rollers on the slide rail

5  x18

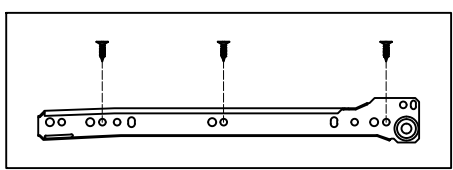
7  x3

9  x3


Roller is at bottom

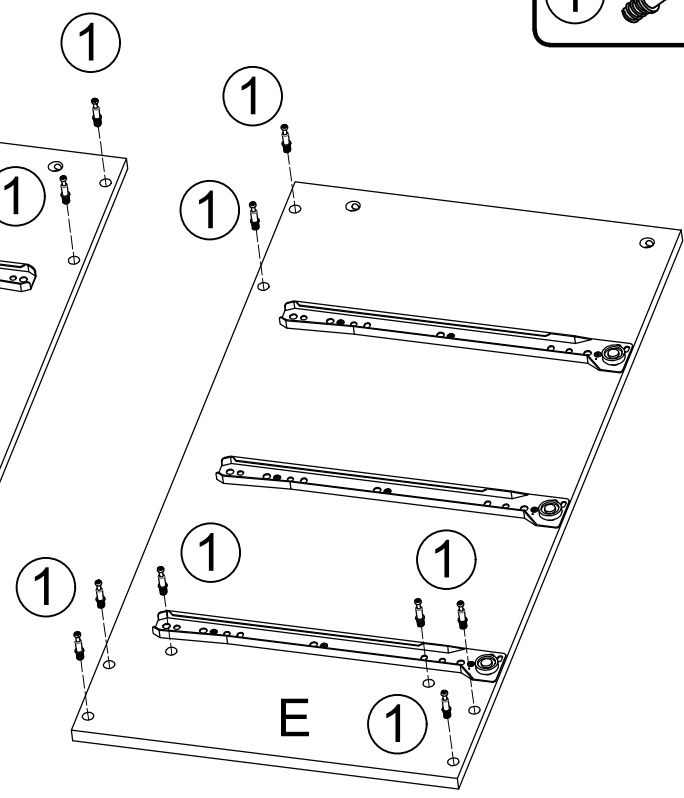
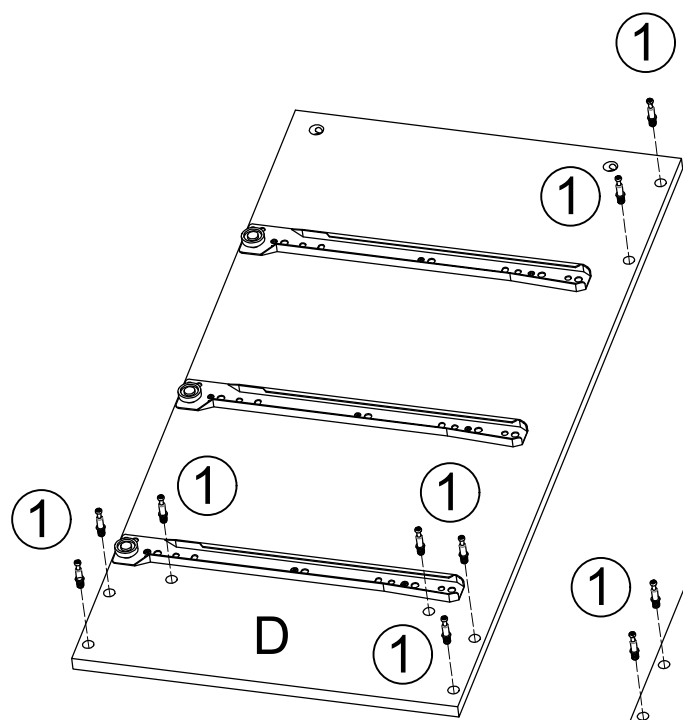


Roller is at bottom




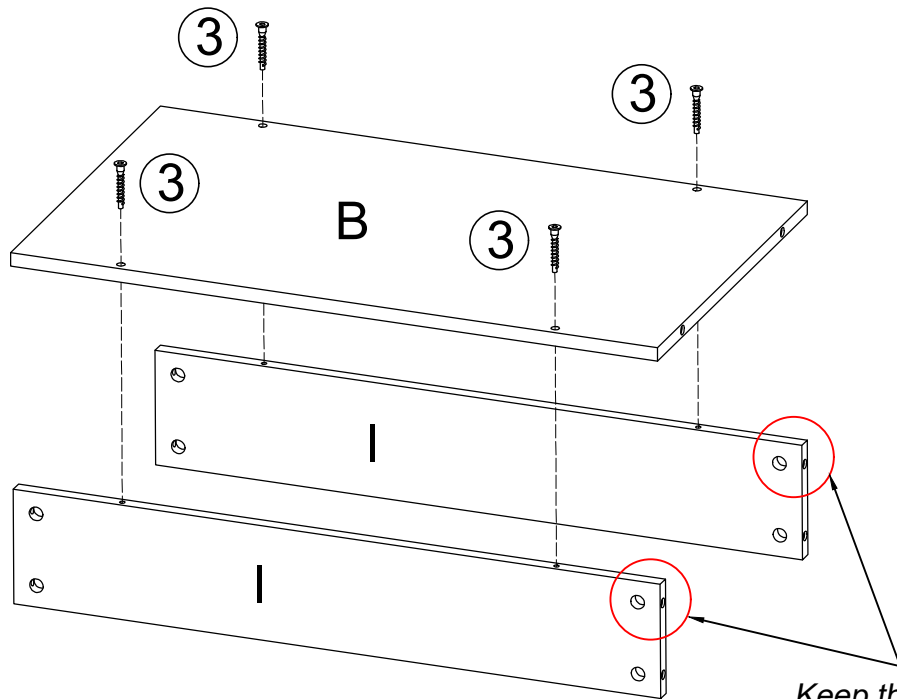
STEP 8

1  x16




STEP 9

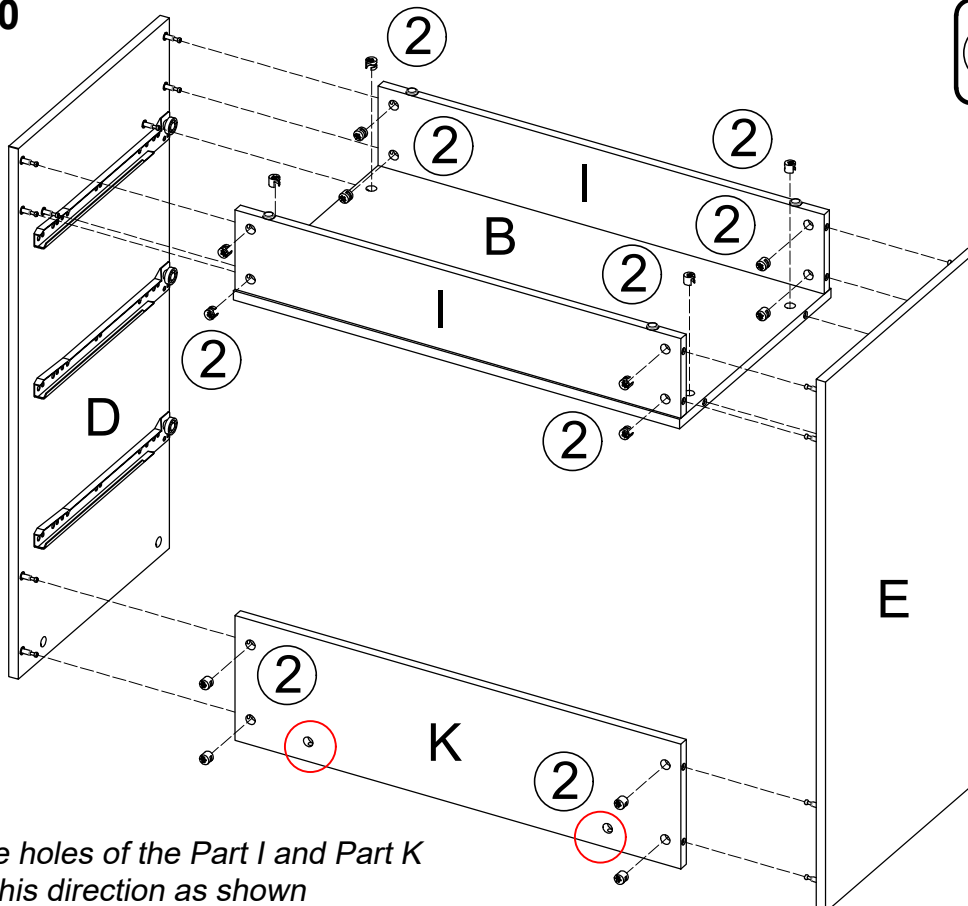
3  x4



Keep the holes of the Part I as shown

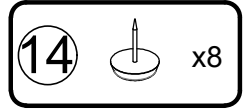
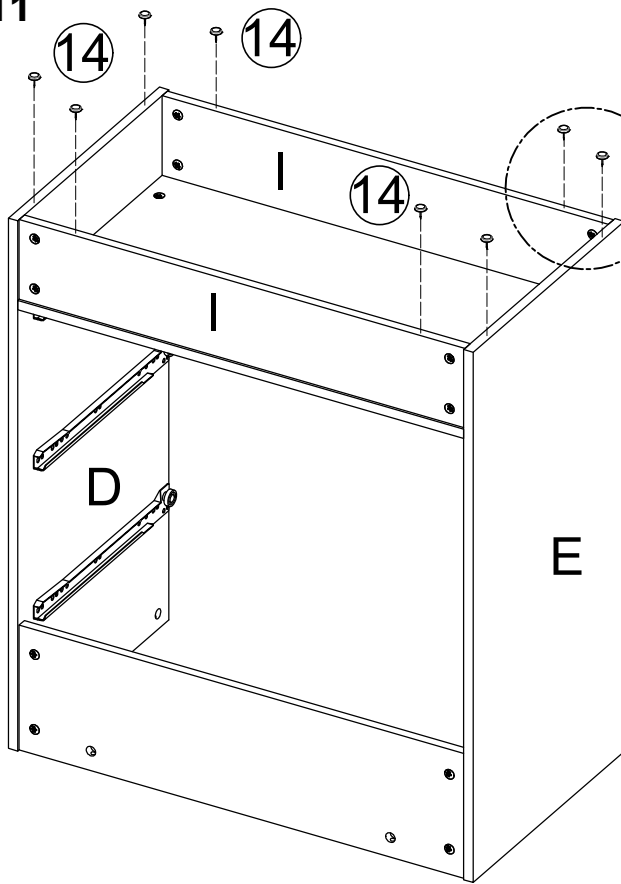
STEP 10

2  x16



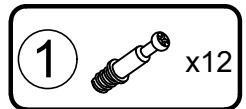
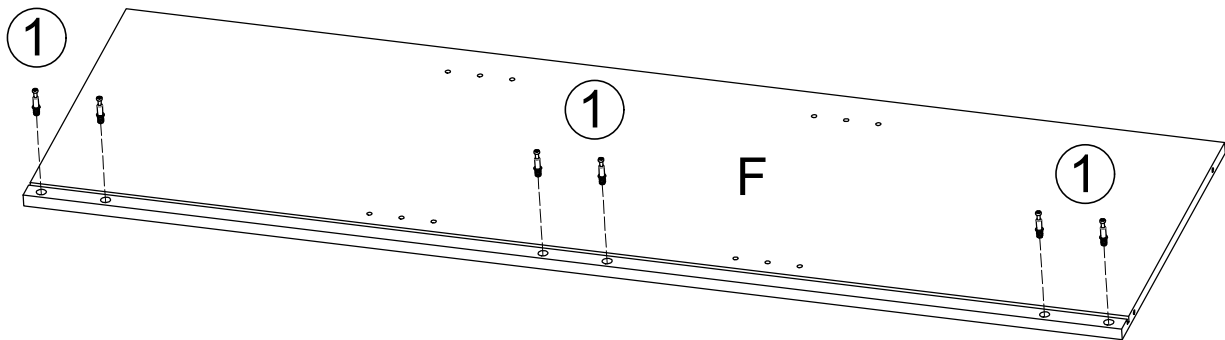
Keep the holes of the Part I and Part K toward this direction as shown

STEP 11




Gently tap the Floor Protectors (14) at the bottom of side panels avoiding crack or damage of side panel.

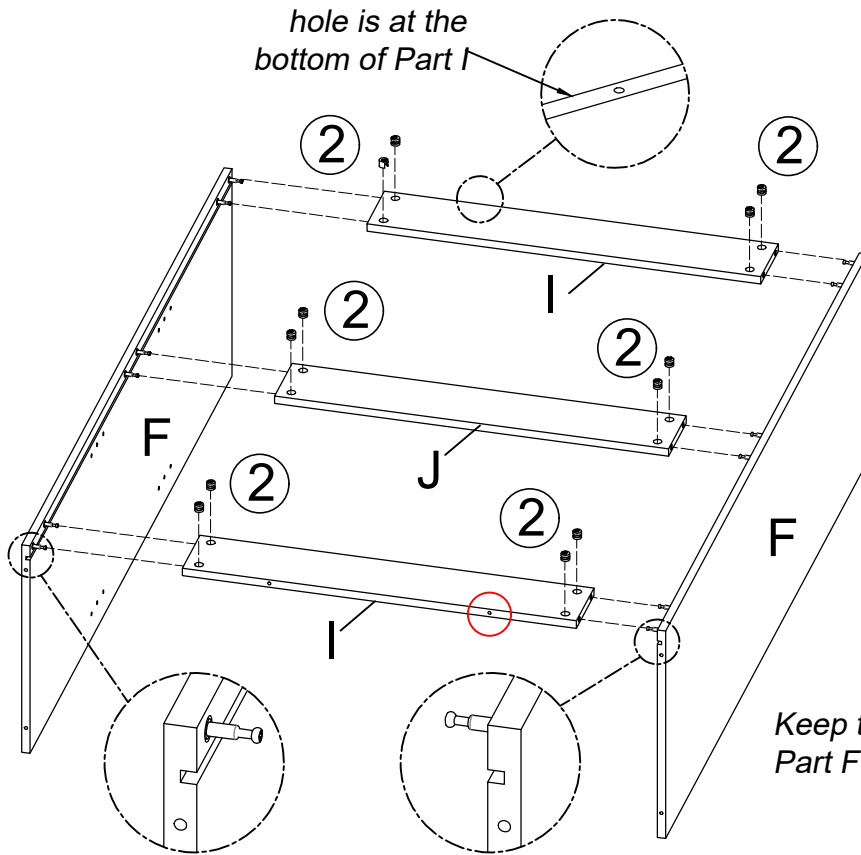
STEP 12




X2

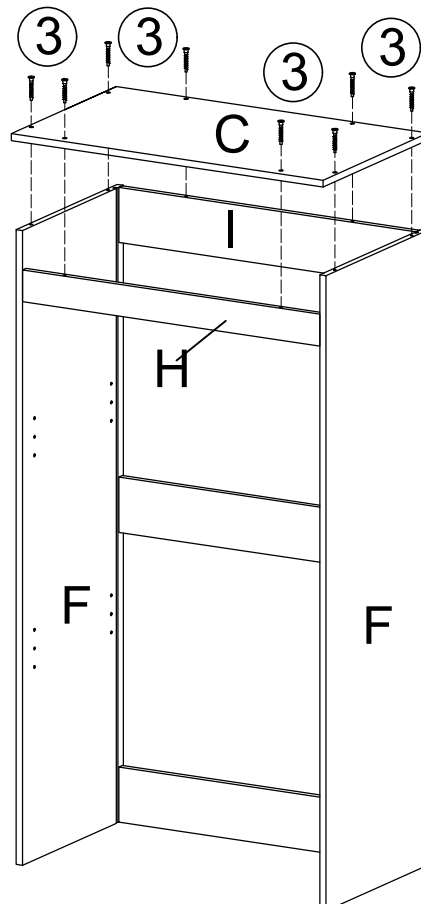
STEP 13

②  x12

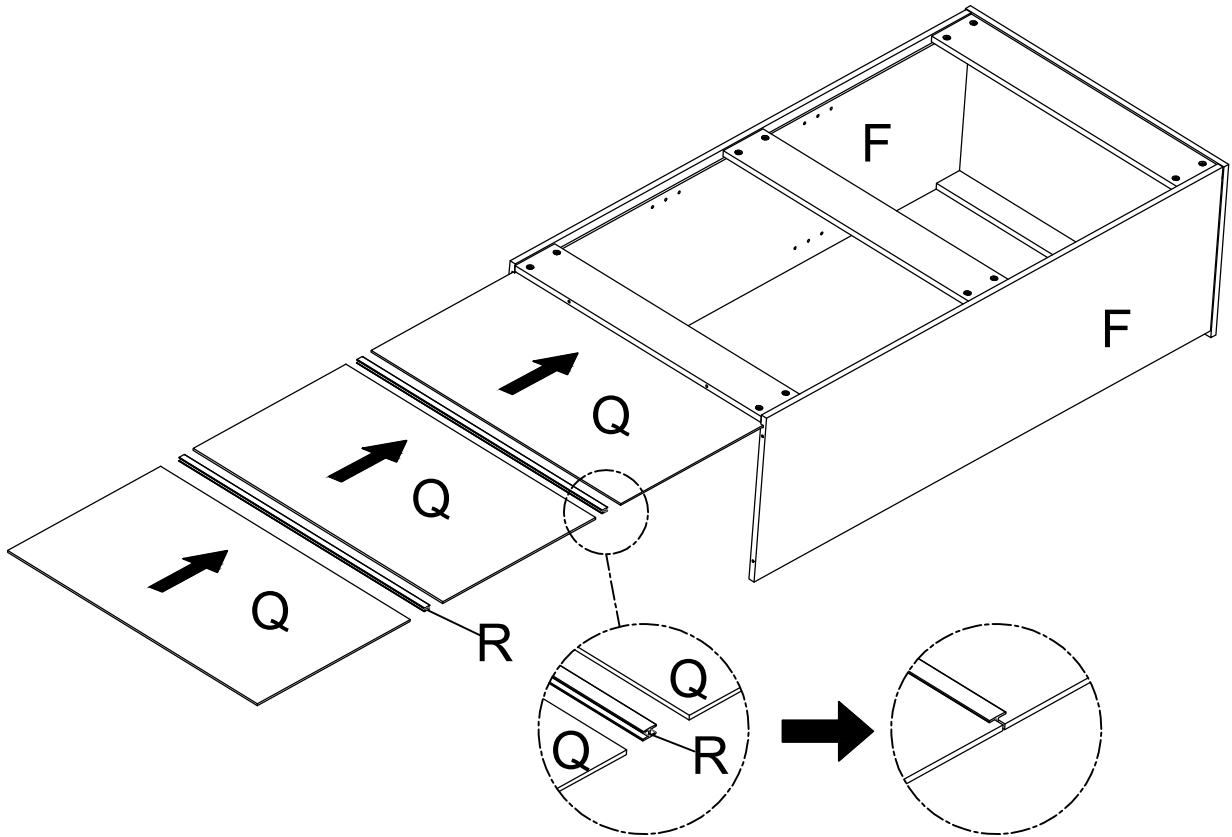


STEP 14

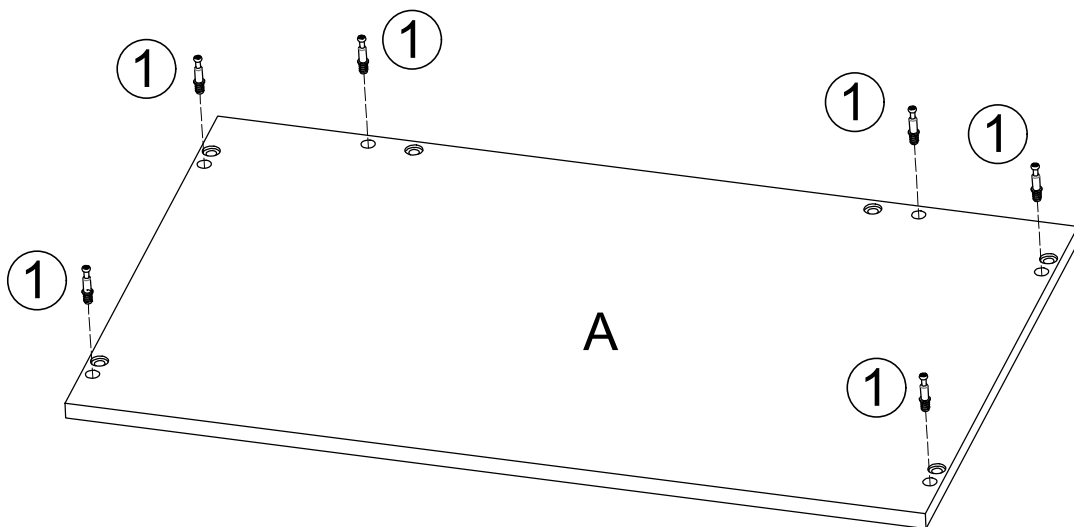
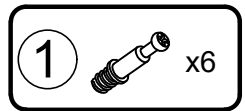
③  x8



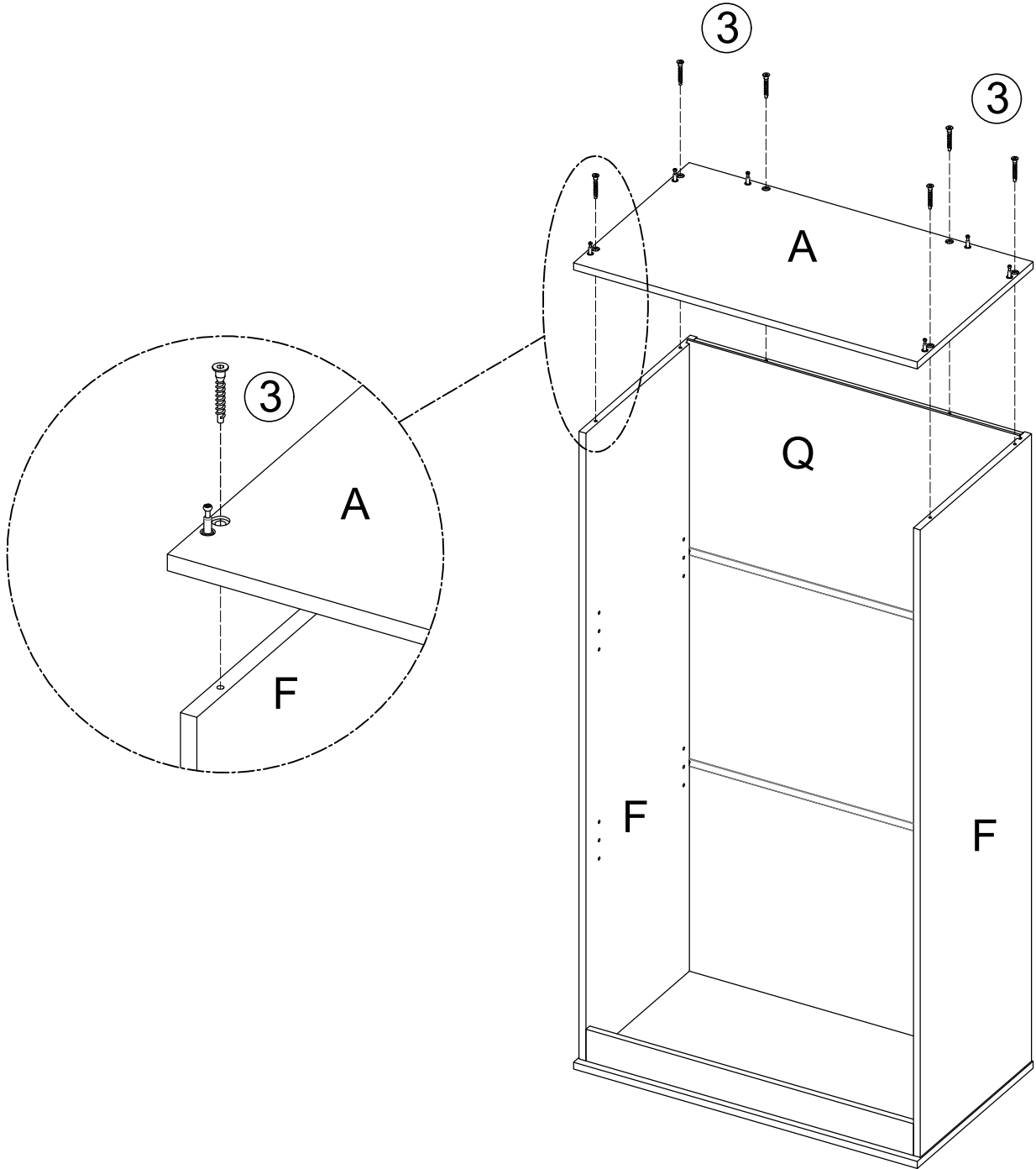
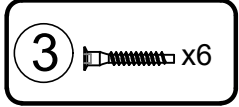
STEP 15




STEP 16

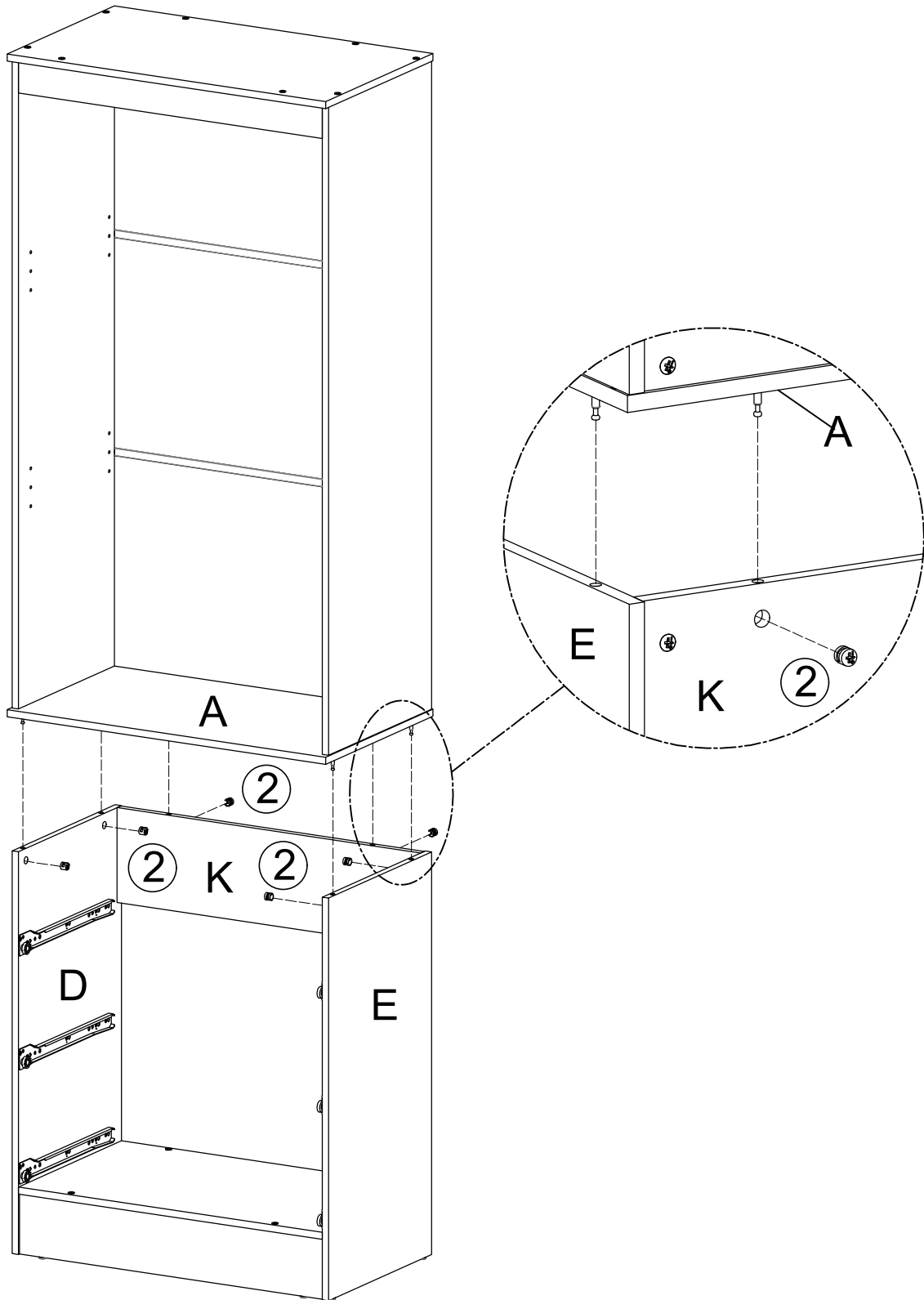


STEP 17

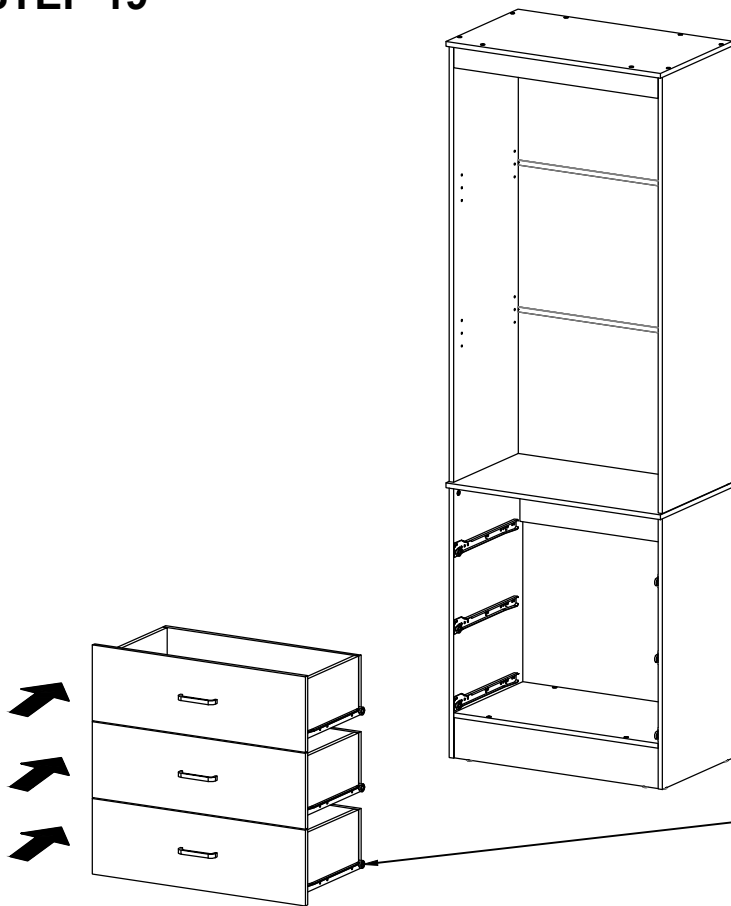


STEP 18

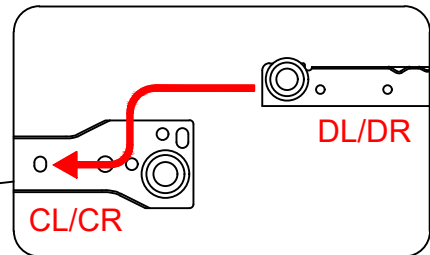
2  x6



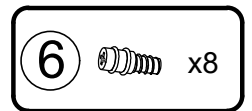
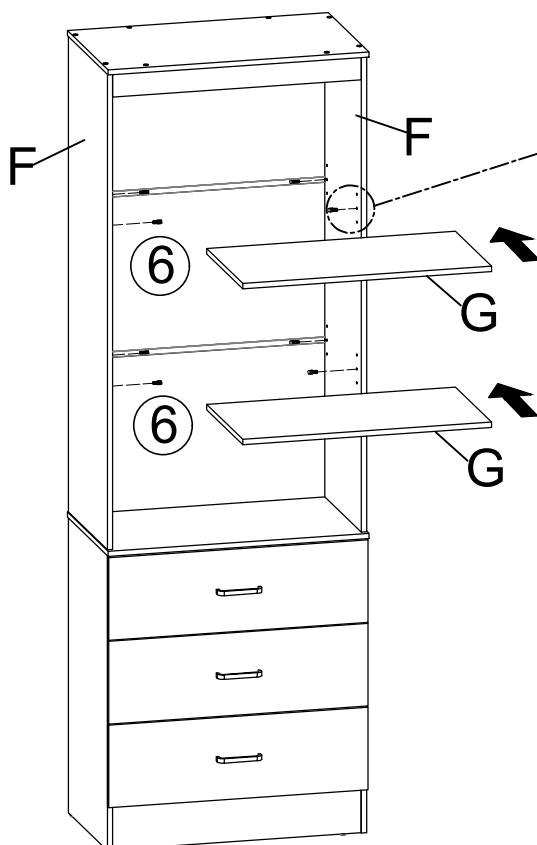
STEP 19



Please put the wheels align with the slots as the instruction shows, then slide into them

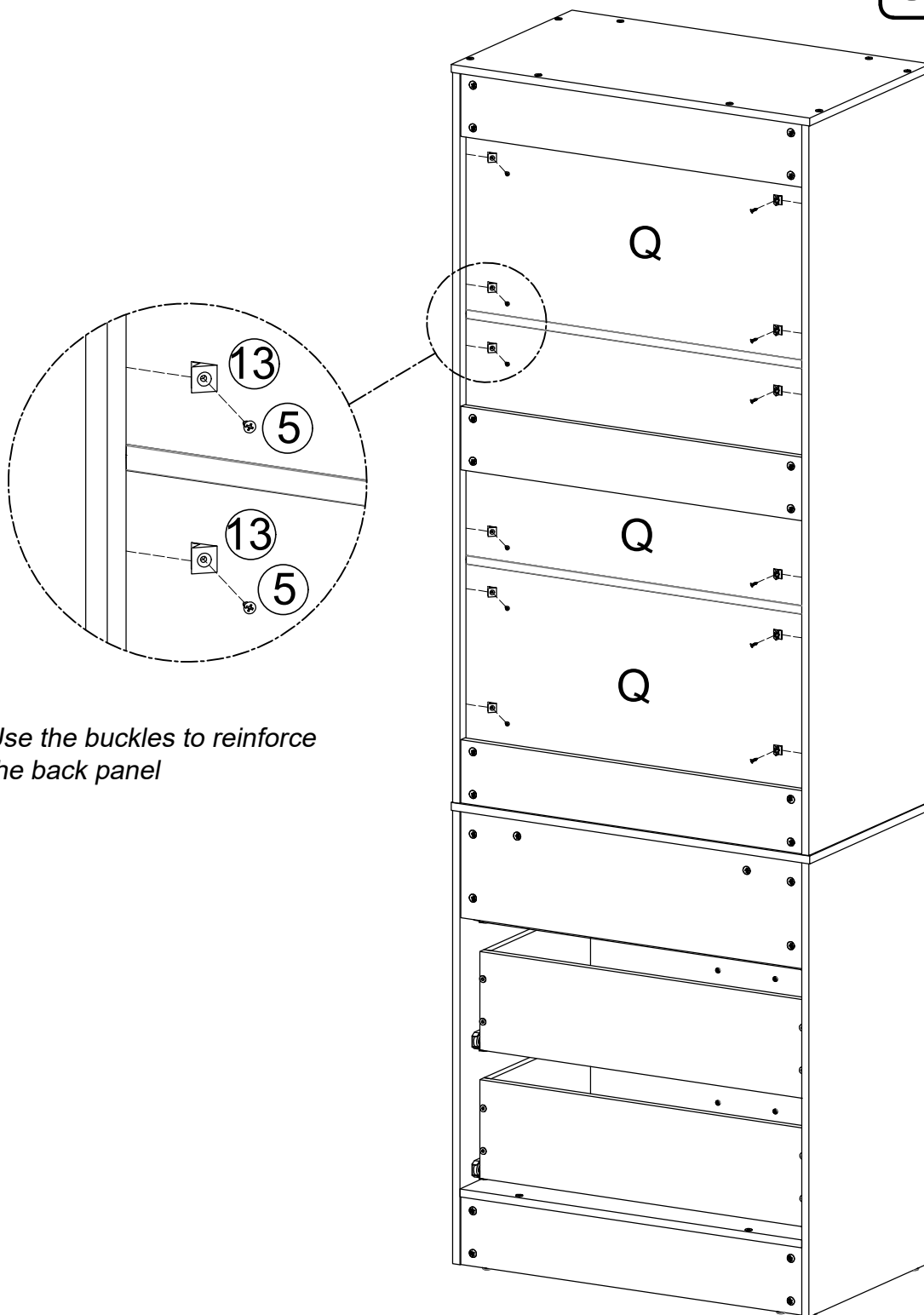
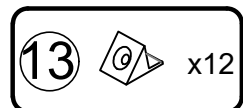
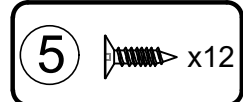


STEP 20



There are 3 heights for the shelf to be adjusted as you need.

STEP 21



Use the buckles to reinforce the back panel

STEP 22



TIPPING RESTRAINT HARDWARE

Note: We have included two Tipping Restraint Hardware set for this Unit. When properly installed, this restraint can provide protection against the unexpected tipping of the Unit due to small tremors, bumps or climbing. We strongly recommend mounting this hardware to a wall stud and your Unit.

Note: You must install the Tipping Restraint Hardware with the unit in use to prevent any accidents or damage to the unit.

