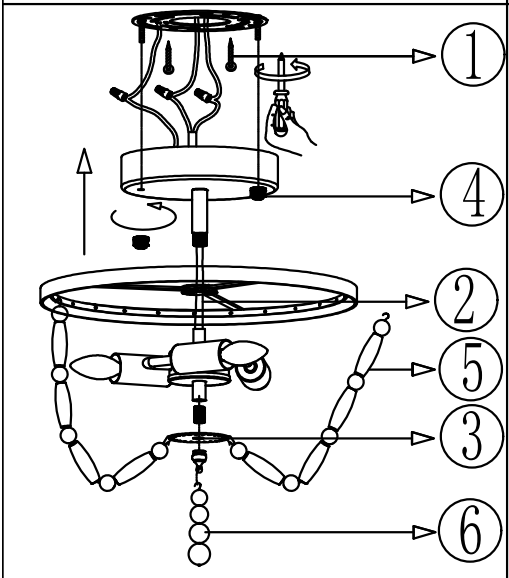


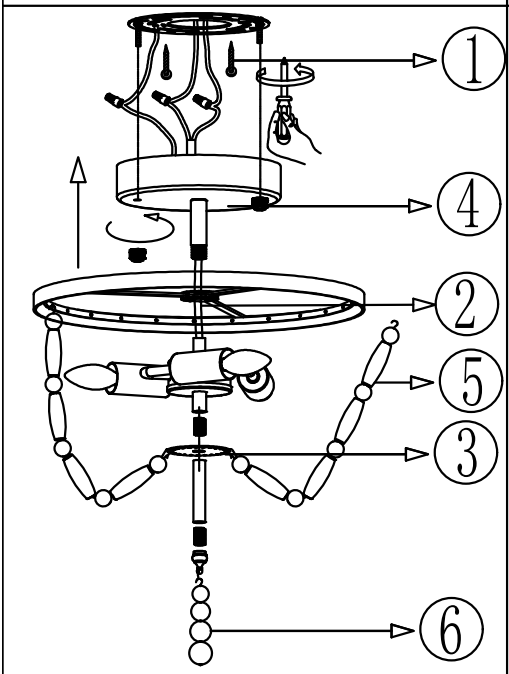
STYLE 1 INSTALLATION:

1. Fixing the hanging board (provided on part B.) ;
2. Put the main wire of part C though part A. and part B. fix tight;
3. Install the long white tube in part E. to step 2 fixture;
4. Take out the white tube tail , put on part D. and fix tight;
5. Hanging the light fixture to the ceiling;
6. Hanging the wood beaded strips to the holes of part A. one by one.
7. Add the beaded tail and finish.



STYLE 2 INSTALLATION:

1. Fixing the hanging board (provided on part B.) ;
2. Put the main wire of part C though part A. and part B. fix tight;
3. Take out the white tube tail (remove the long tube), put on part D. and fix tight;
4. Hanging the light fixture to the ceiling;
5. Hanging the wood beaded strips to the holes of part A. one by one.
6. Add the beaded tail and finish.



STYLE 3 INSTALLATION:

1. Fixing the hanging board (provided on part B.) ;
2. Put the main wire of part C though part A. and part B. fix tight;
3. Take out the white tube tail , put on part D. and fix tight;
4. Hanging the light fixture to the ceiling;
5. Hanging the wood beaded strips to the holes of part A. one by one.
6. Add the beaded tail and finish.