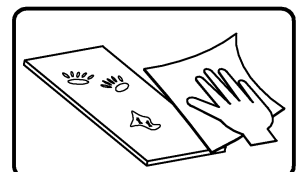
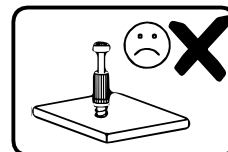
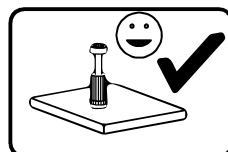
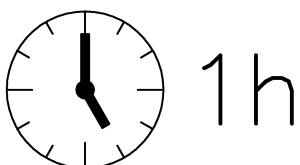
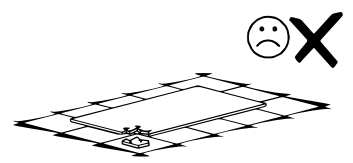
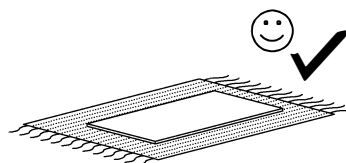
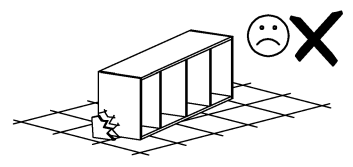
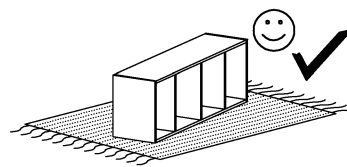
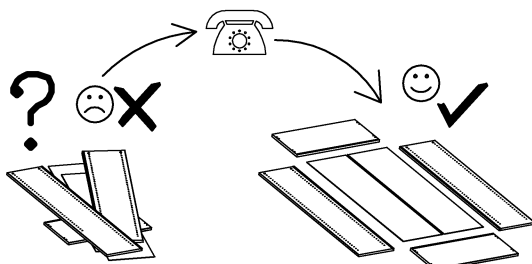
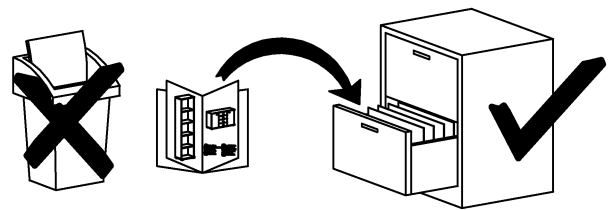
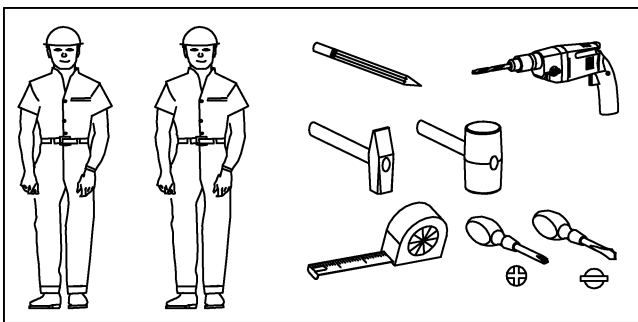
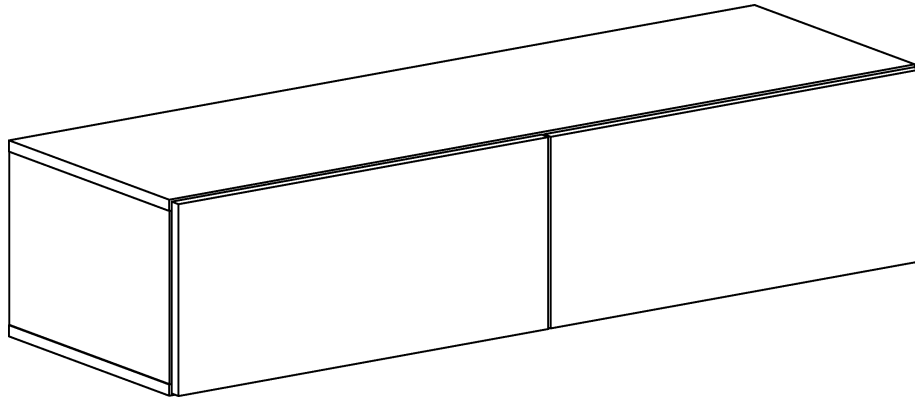
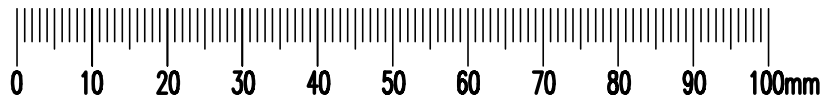
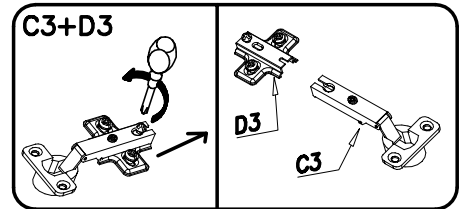
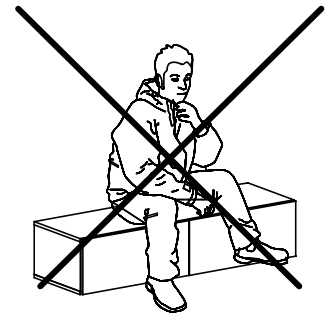
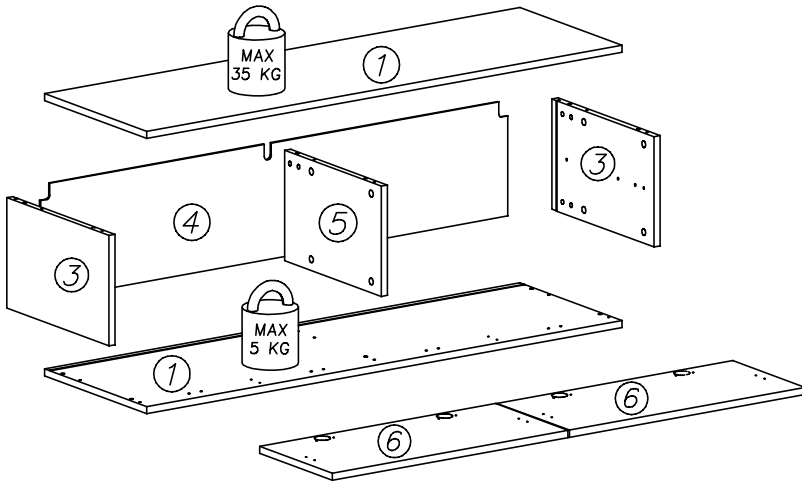
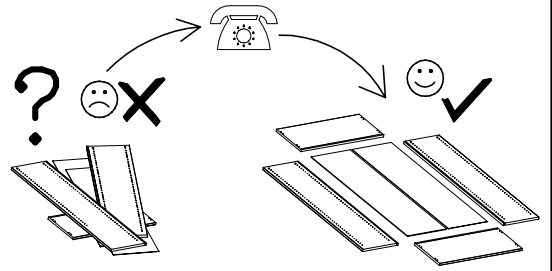
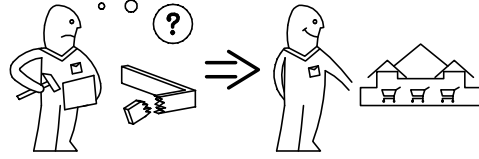
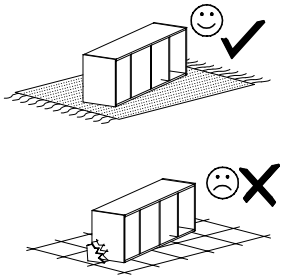
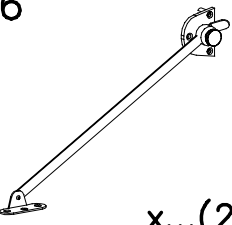
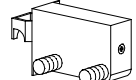
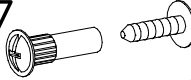
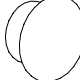
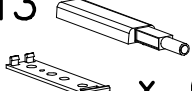
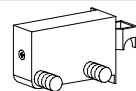
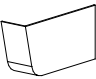
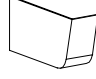
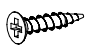

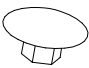
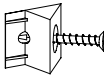
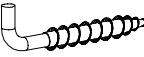
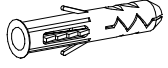
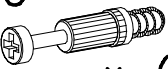

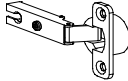
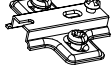

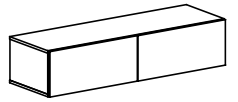


Installation & Assembly

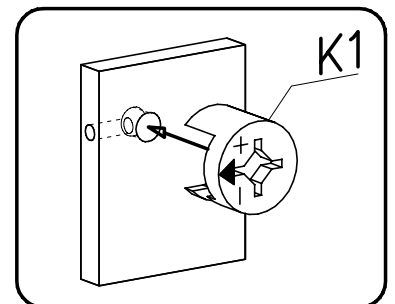
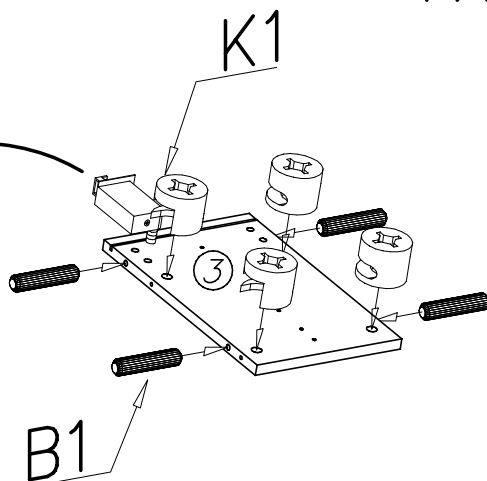
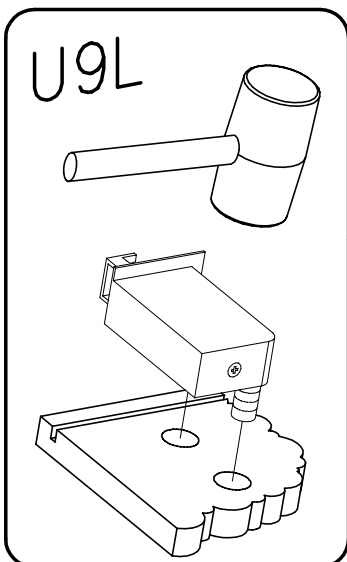
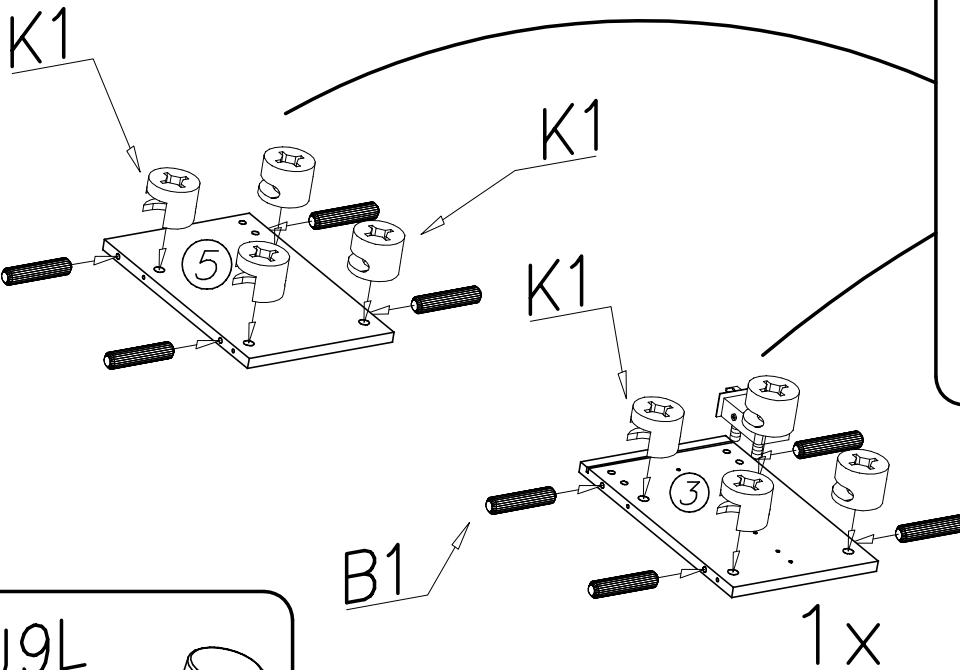
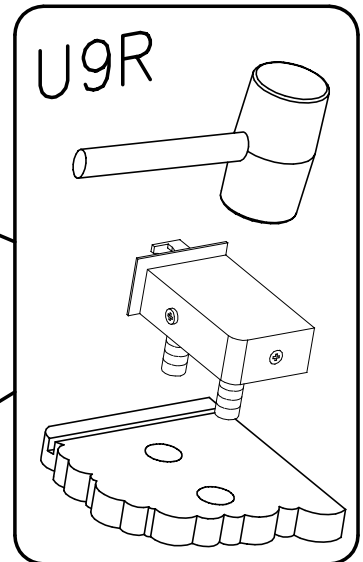
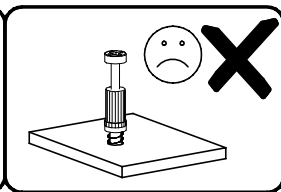
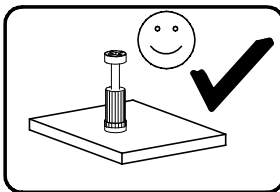
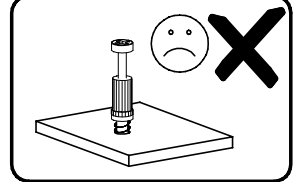
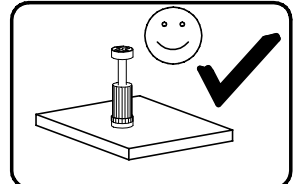
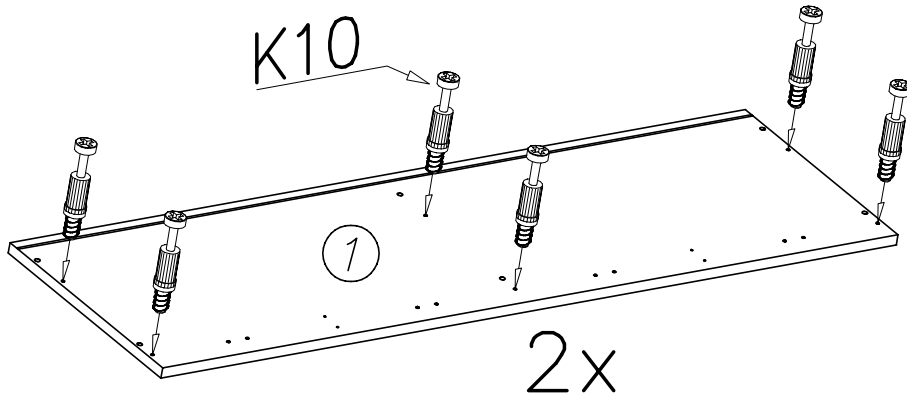


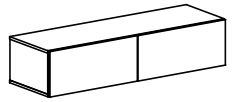


L6  x...(2)	U9L  x...(1)	N7  M4x15 x...(2)	I10  Ø10 x...(4)	L13  x...(2)
	U9R  x...(2)	U10L  x...(1)	U10R  x...(2)	G57  3,5x16 x...(4)
K1  Ø15x12 x...(12)	I7  x...(12)	I1  x...(6)	U7  x...(3)	U8  Ø10x60 x...(3)
K10  x...(12)	B1  Ø8x35 x...(12)	C3  Z35PR x...(4)	D3  PZ35PR x...(4)	G34  3,5x16 x...(23)

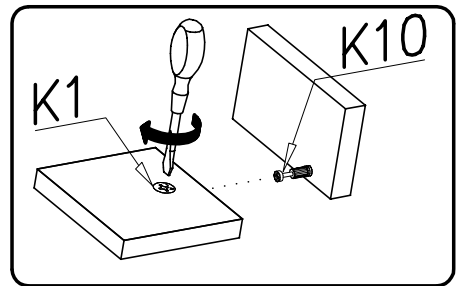
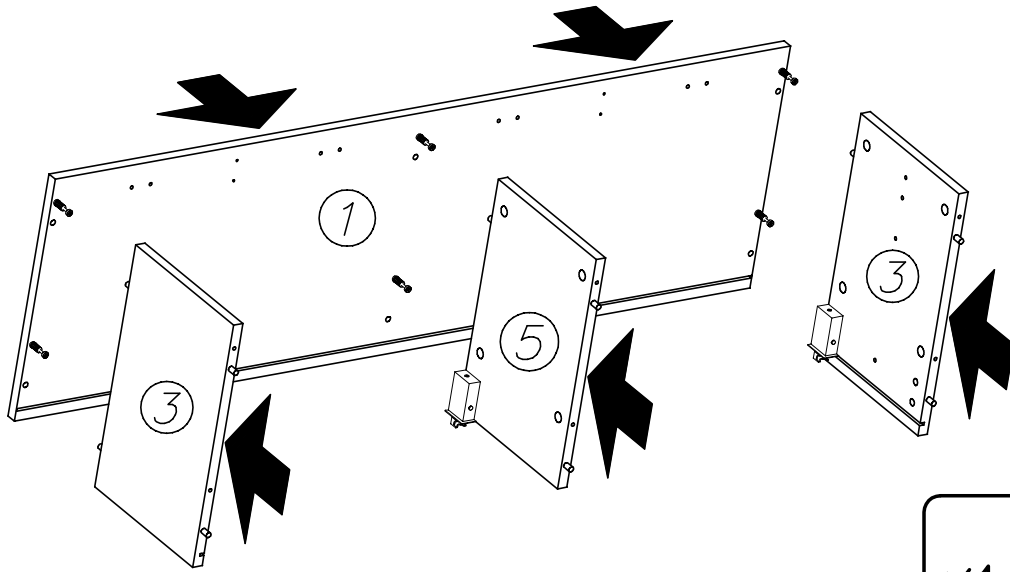


I

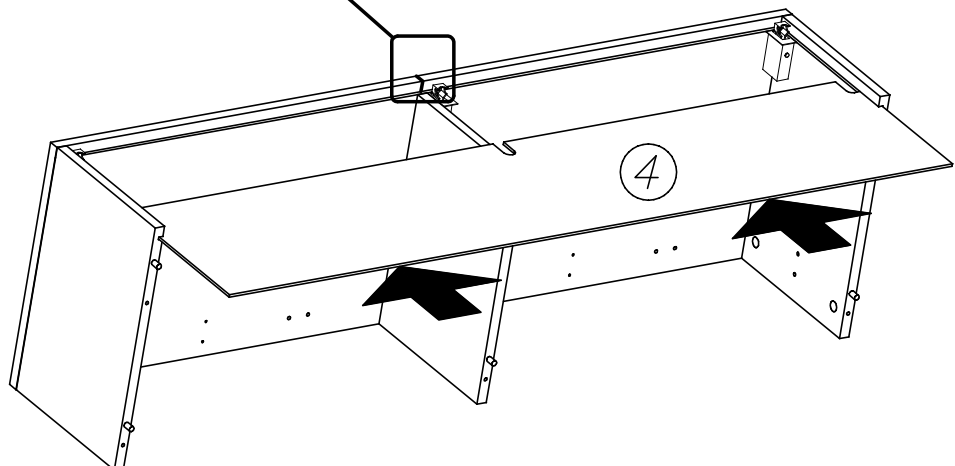
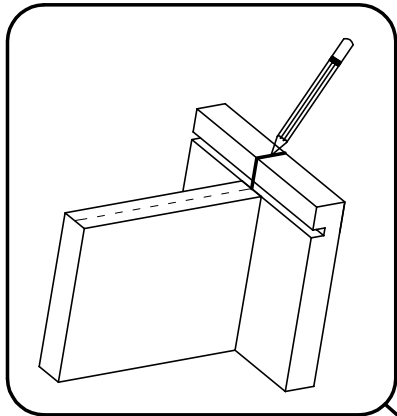


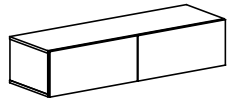


II

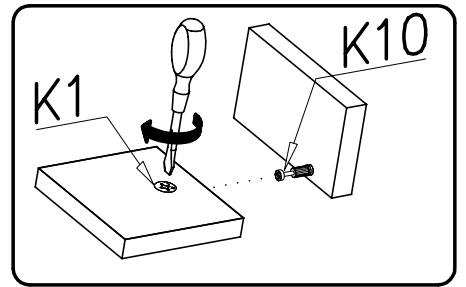
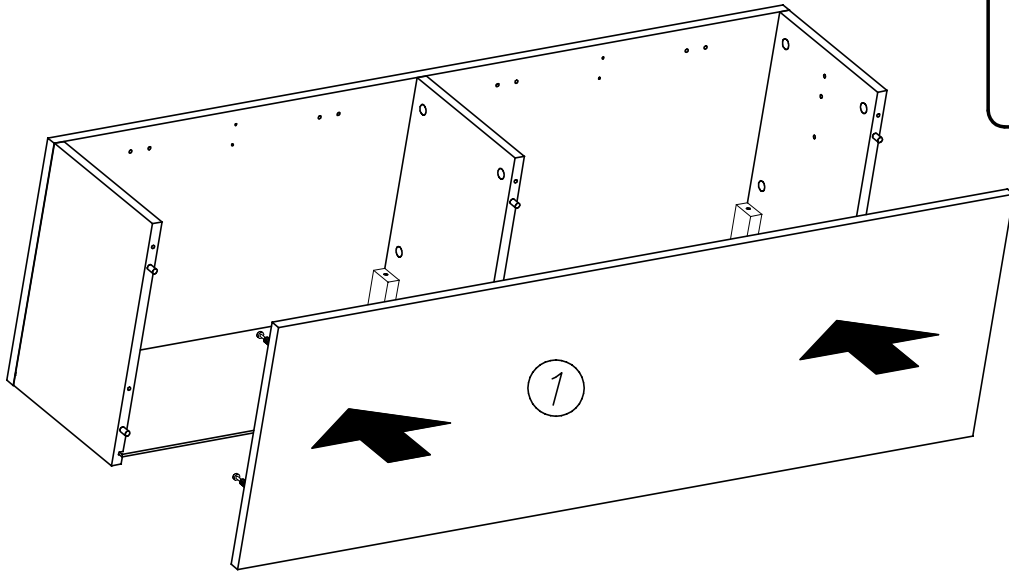


III





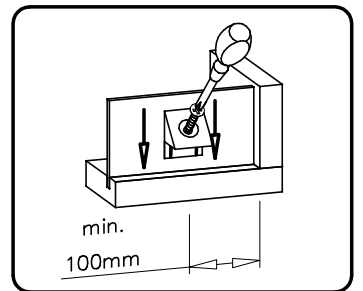
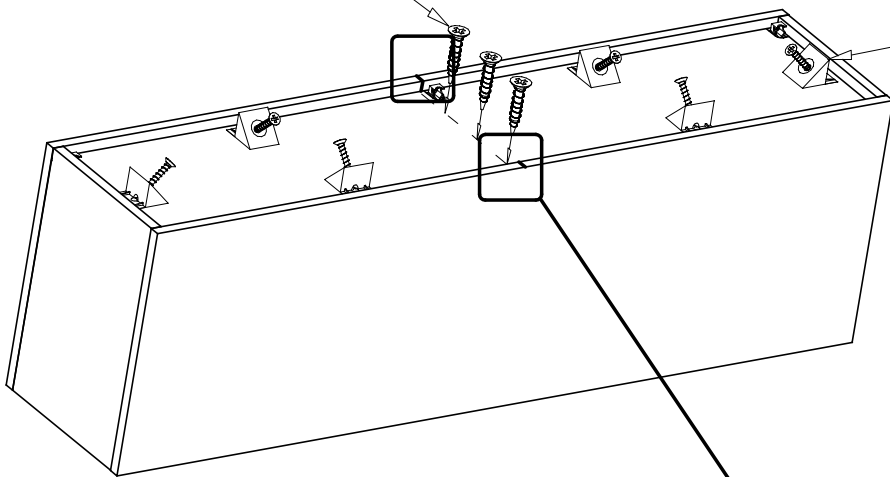
IV



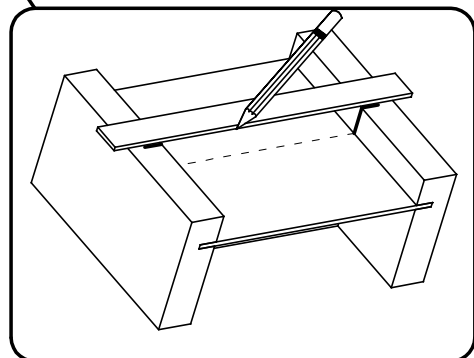
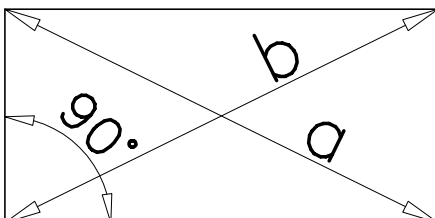
V

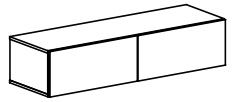
G34

I1

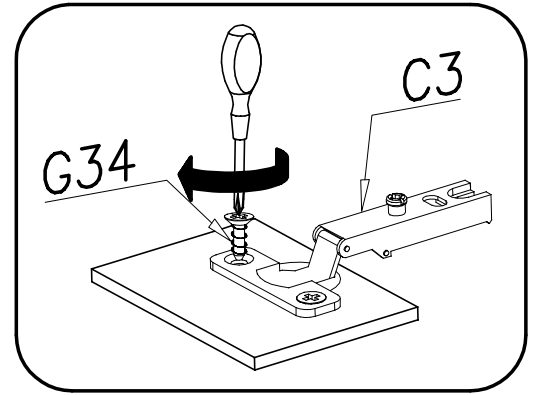
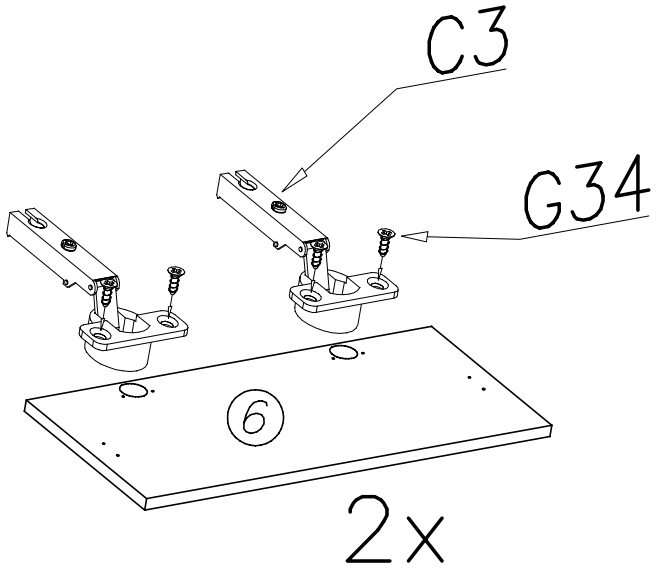


$a = b$

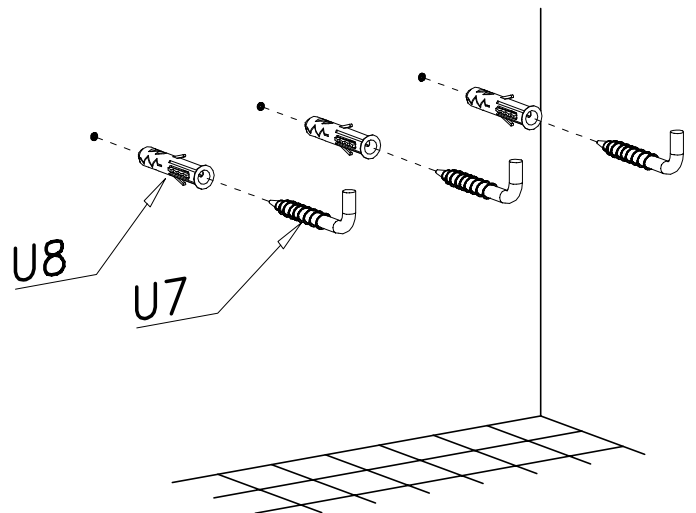
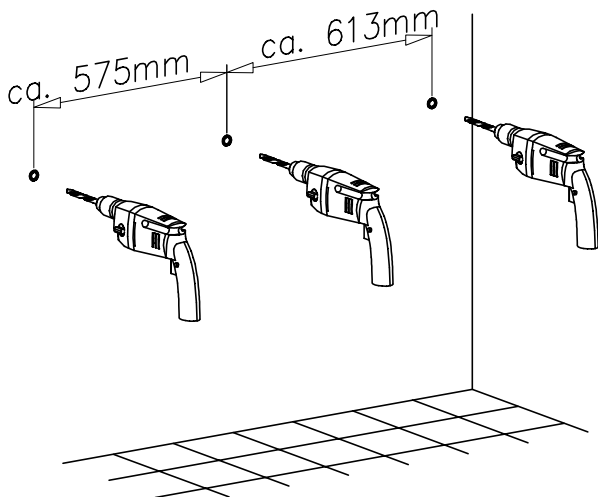
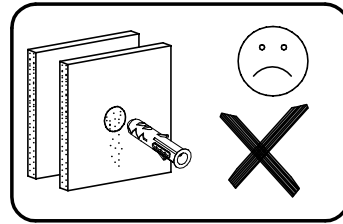
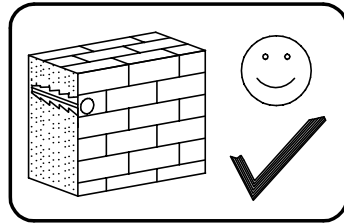


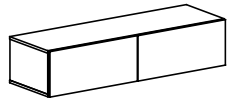


VI

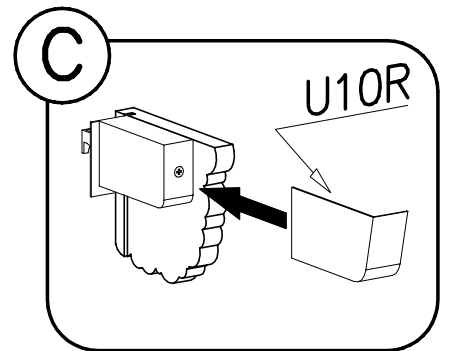
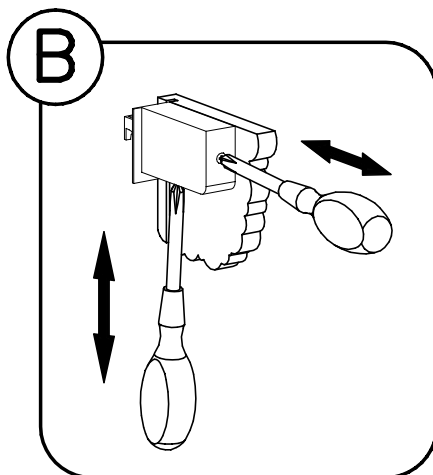
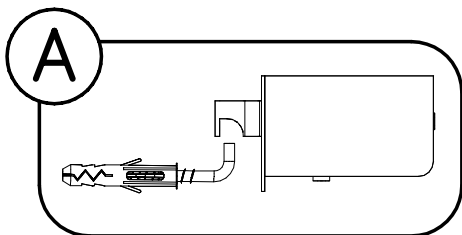
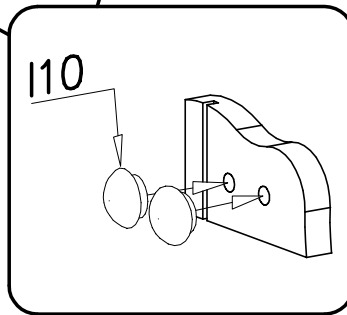
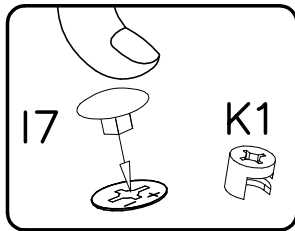
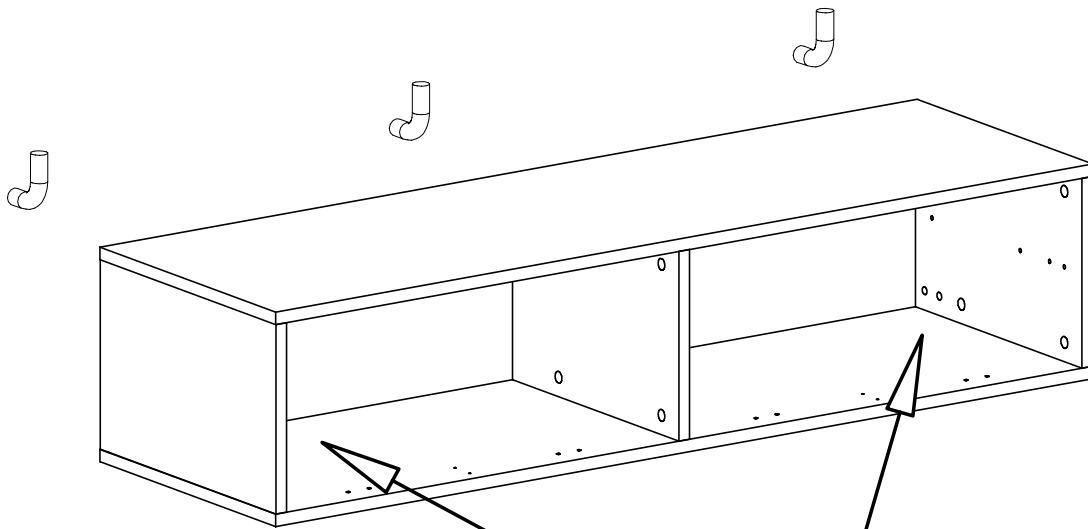


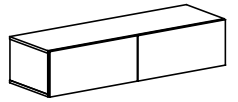
VII



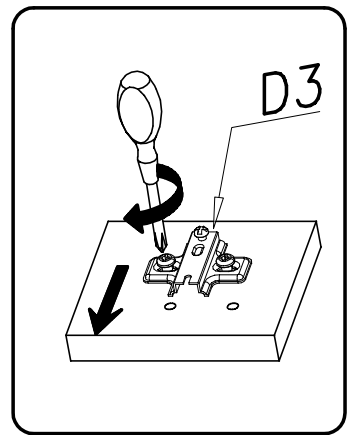
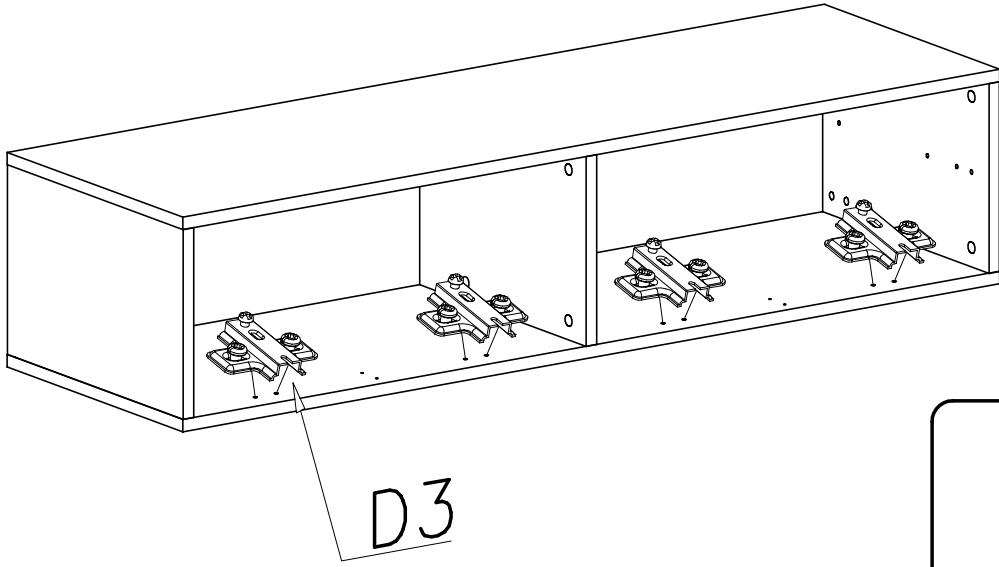


VIII

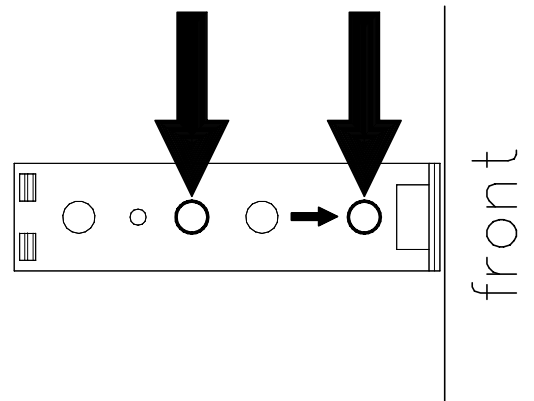
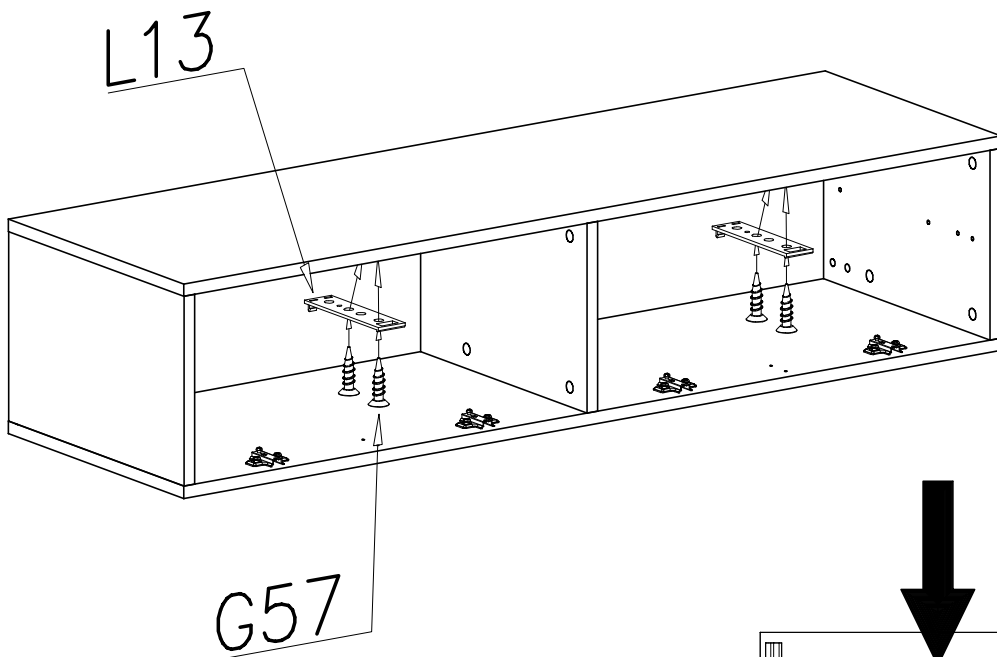


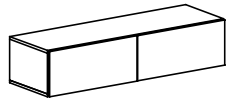


IX

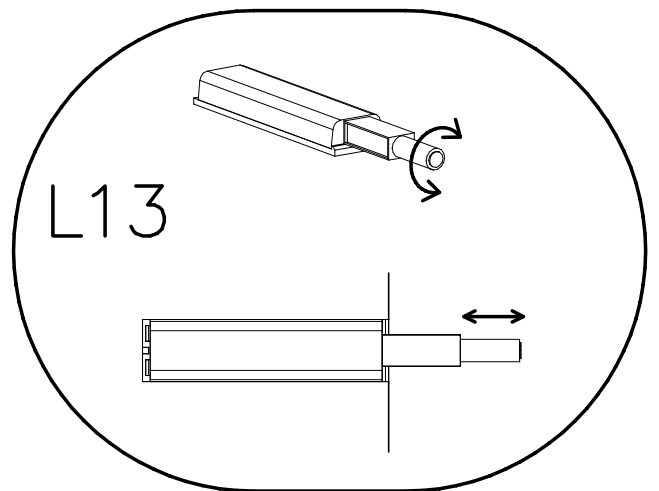
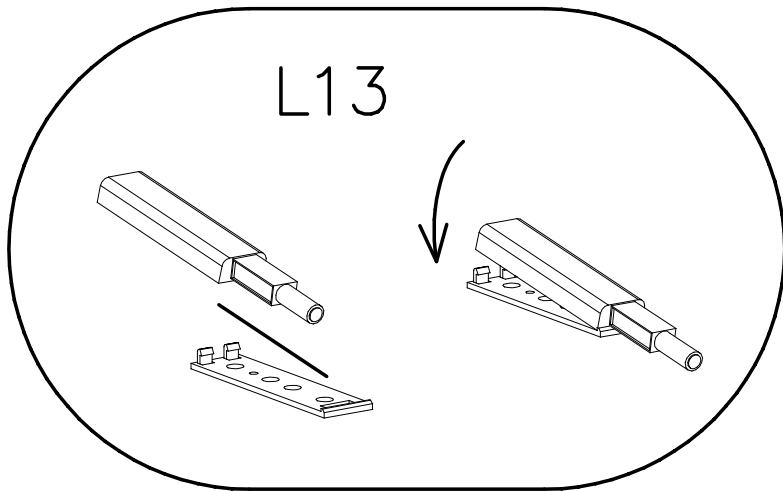
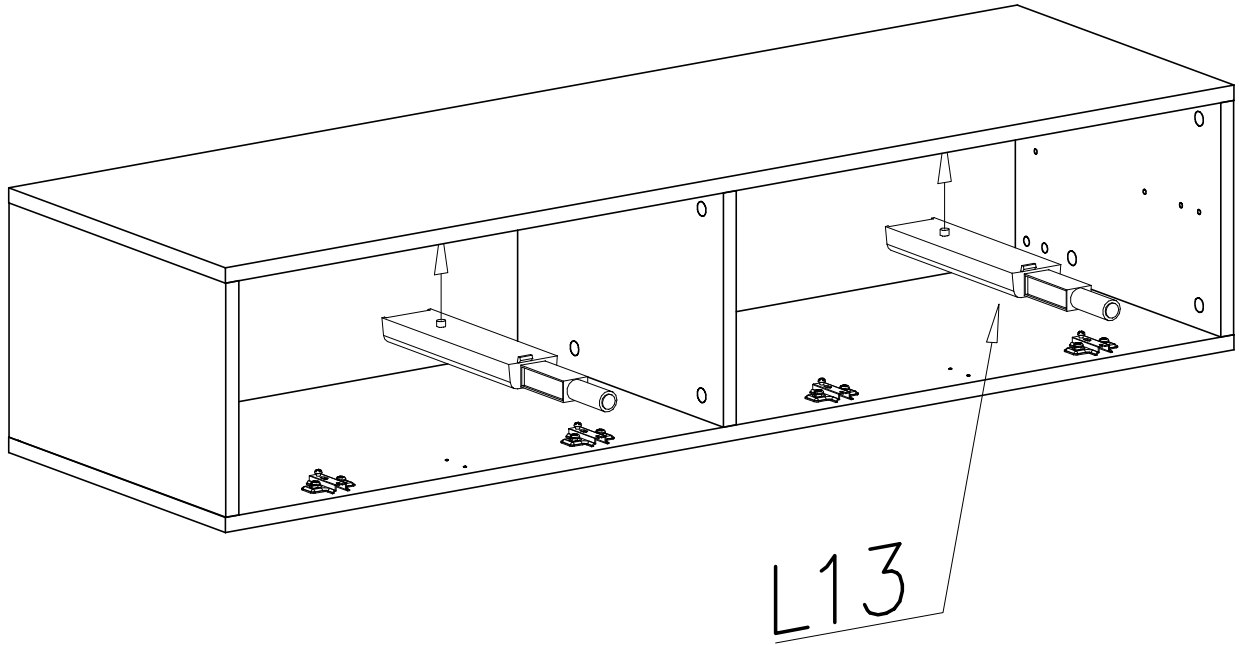


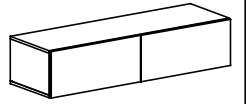
X



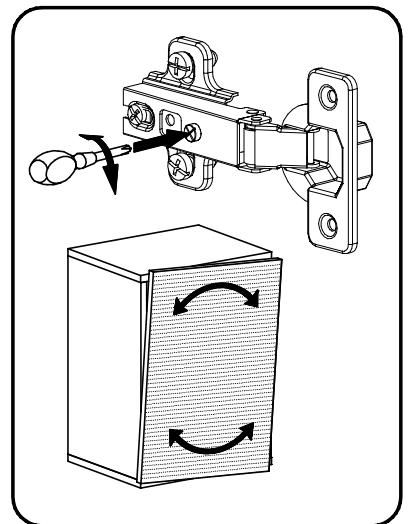
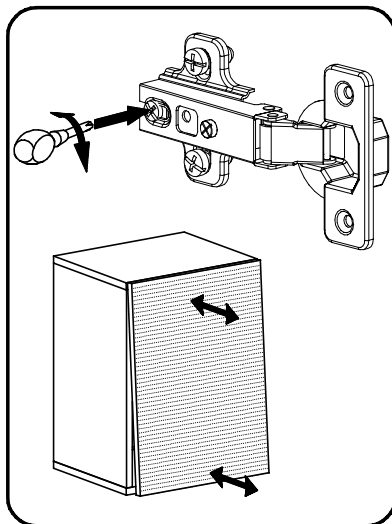
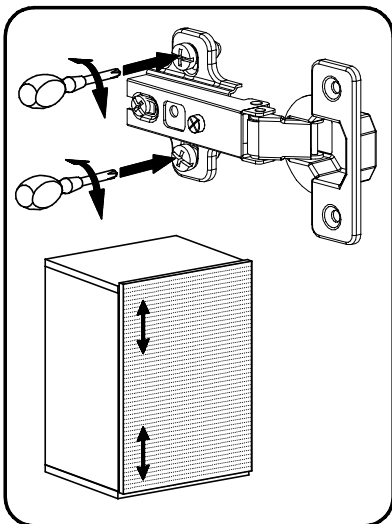
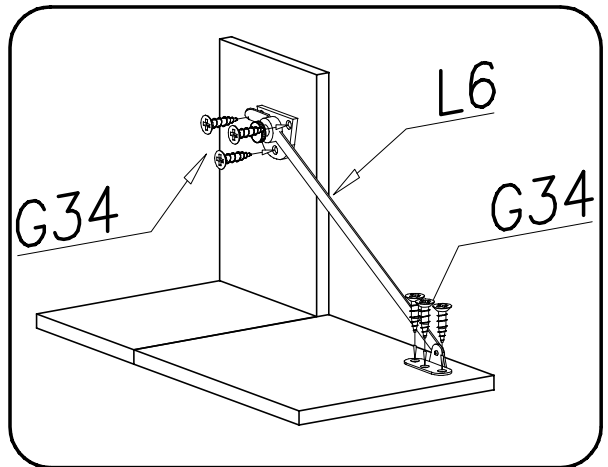
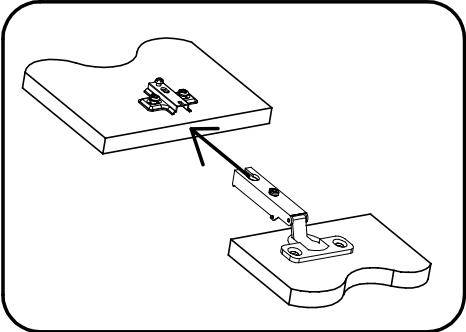
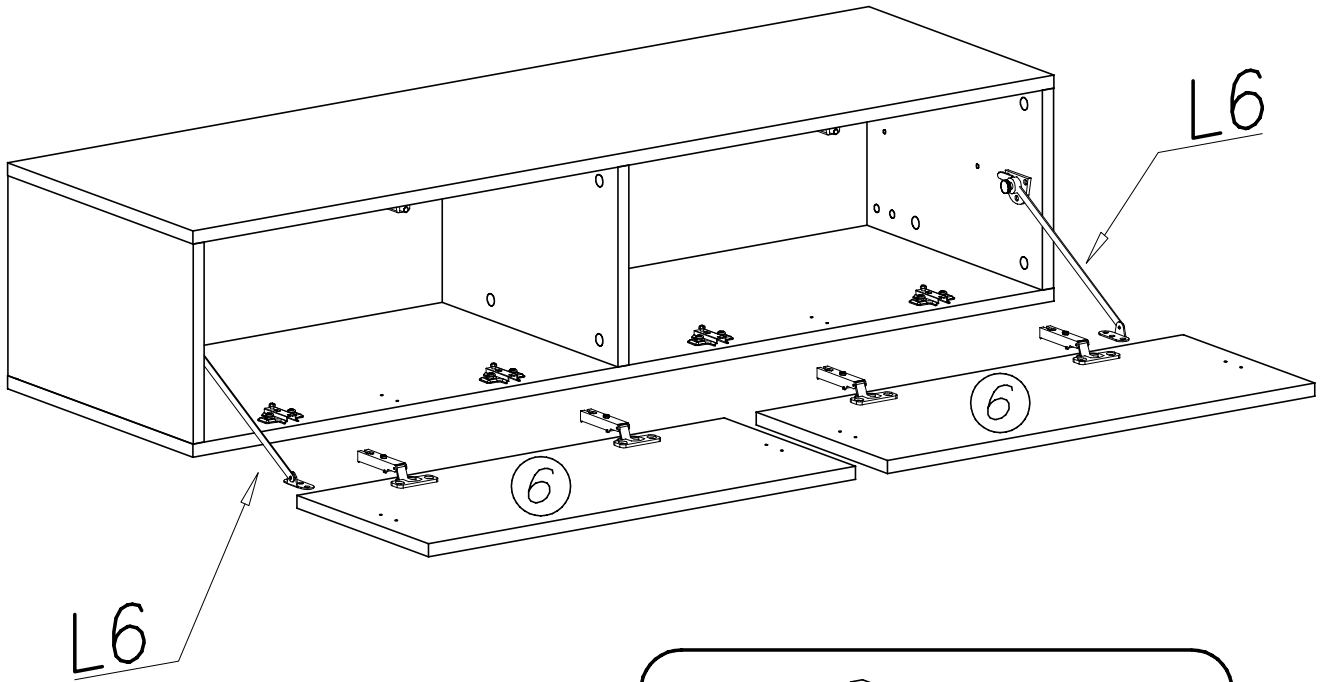


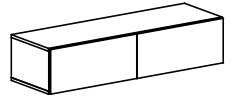
XI



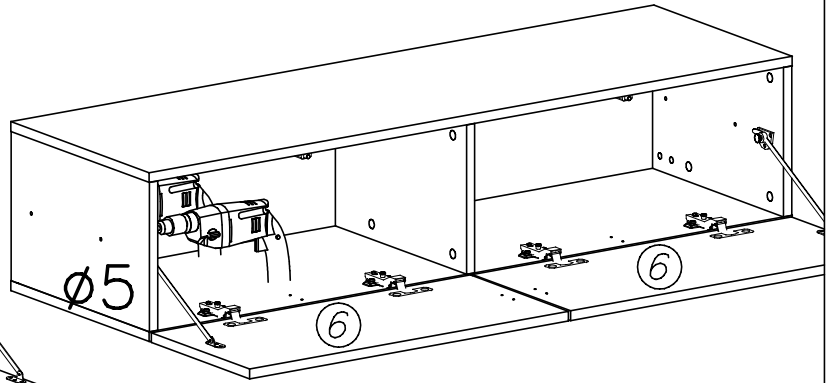
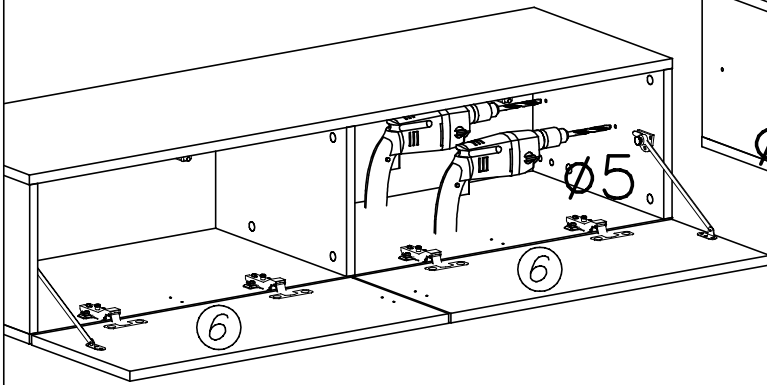
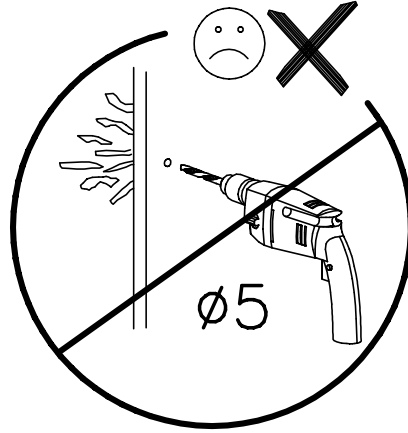
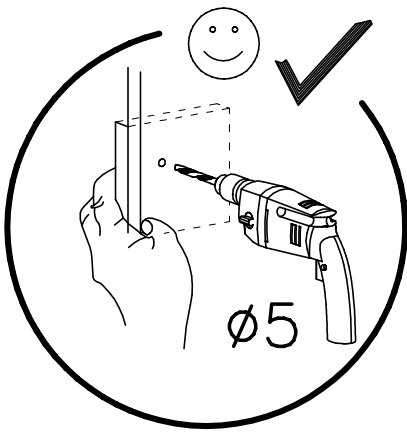


XII

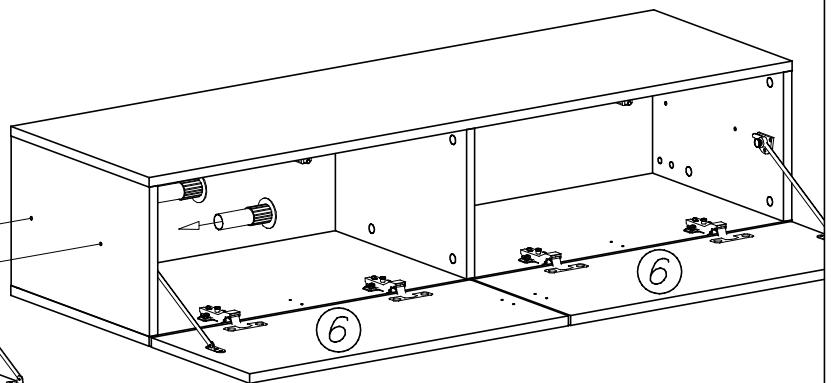
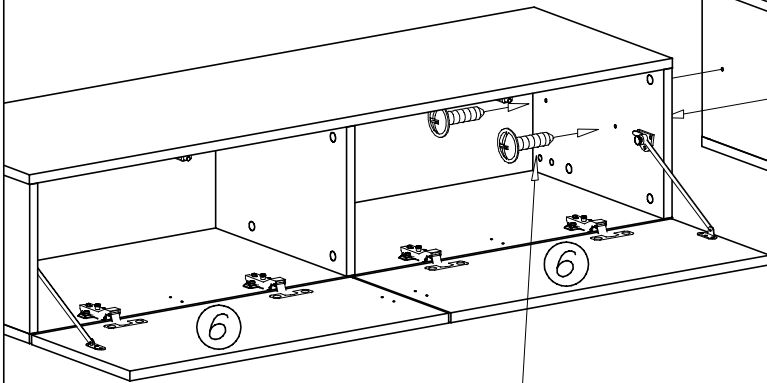




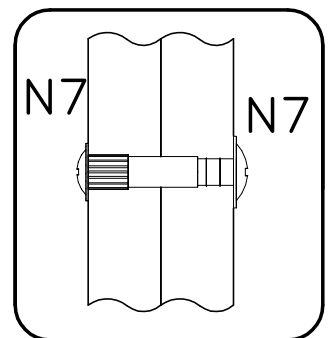
XIII



XIV



N7





Uwaga • Upozornění • Achtung • Attention • Caution • Figyelem
 Attenzione • Opgelet • Внимание • Atenție • Upozornenie • Dikkat

