

Caution: Please read instructions thoroughly before unpacking assembly parts. Sharp, exposed staple tips can cause injury, therefore, for your protection, please remove any exposed staple used in packing.  
 1. We recommend that you should assemble this product with the assistance of another person; this will make assembly easier, and will help to eliminate damage to the product or injury to persons during assembly.  
 2. Be sure to check all packing materials carefully for small parts that may have come loose inside the carton during shipment.  
 3. please do not over tighten screws or bolts.  
 4. Please put all parts on a non-abrasive floor before assembly, and follow the assembly steps to assemble your newly purchased product correctly and efficiently.

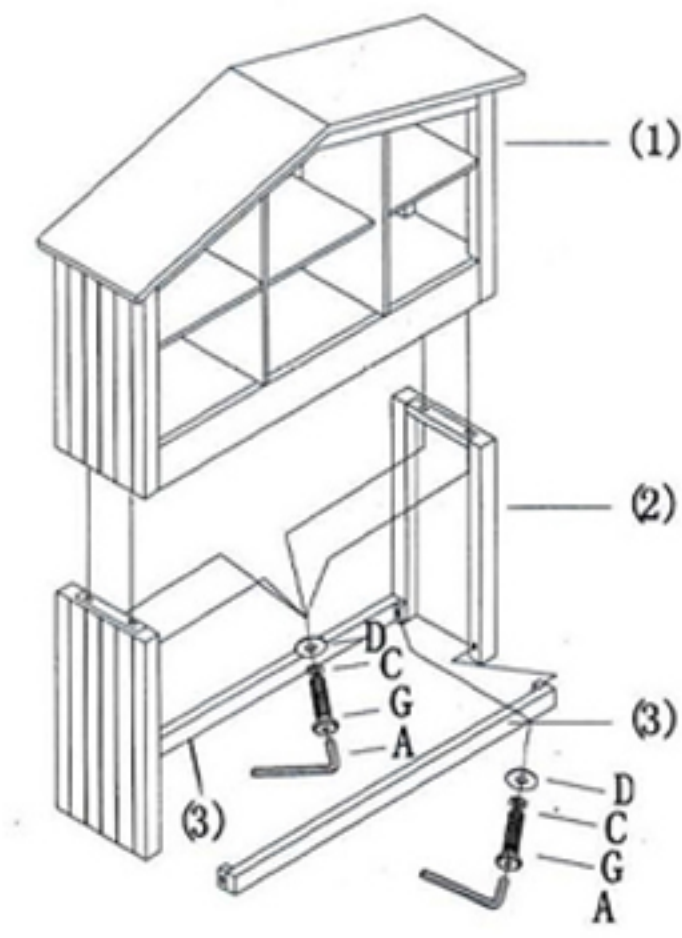
HARDWARE LIST

PARTS	DESCRIPTION	SKETCH	Q'TY	PARTS	DESCRIPTION	SKETCH	Q'TY
A	ALLEN KEY		1PC	G	JCRC BOLT #1/4" x 1-1/2"		8PCS
B	JCRC BOLT #1/4"x1-1/4"		8PCS	H	JCRC BOLT #1/4" x 1-3/4"		4PCS
C	SPRING WASHER #1/4"		20PCS				
D	PLAT WASHER #1/4"		20PCS				
E	WASHER #1/4"		12PCS				
F	Screw #8x1-1/4"L		63PCS				

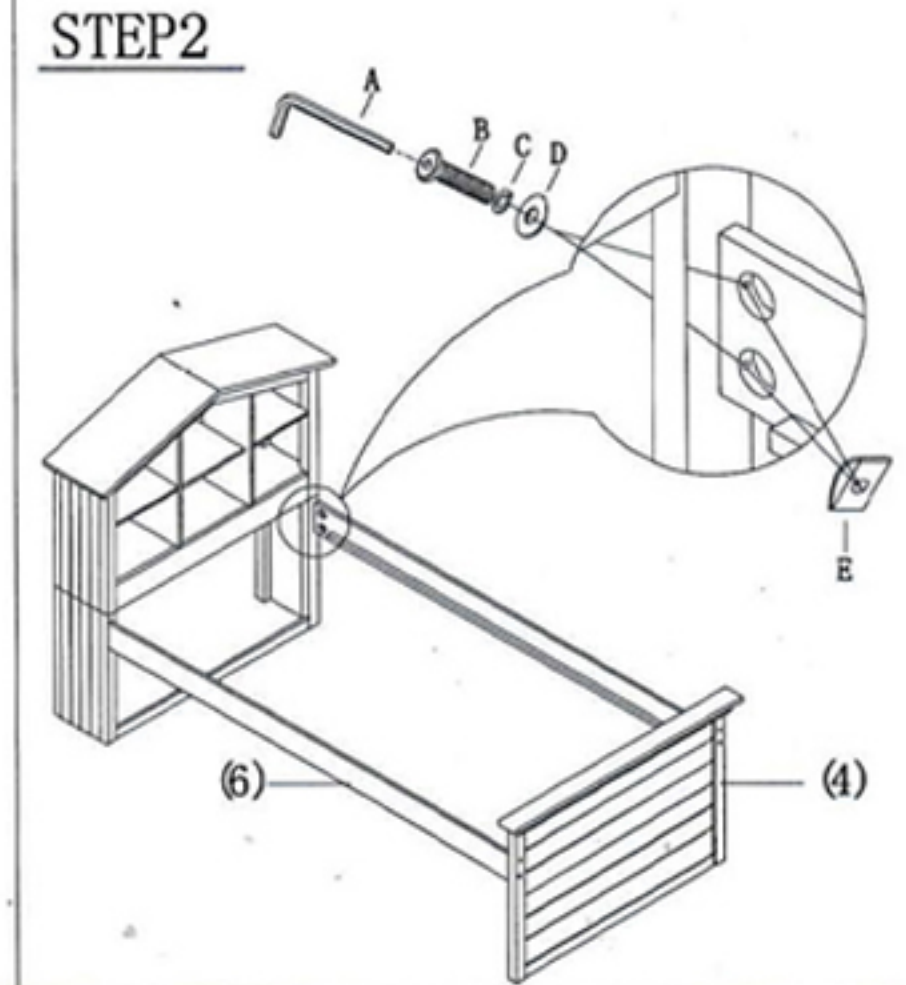
PART LIST

PARTS	DESCRIPTION	SKETCH	Q'TY	PARTS	DESCRIPTION	SKETCH	Q'TY
(1)	HEADBOARD PANEL		1PC	(7)	FRENCH FRONT PANEL		1PC
(2)	BOTTOM FRAME OF HEADBOARD		2PCS	(8)	FRENCH SIDE PANEL		2PCS
(3)	LOWER BAR		2PCS	(9)	DRAWER BACK PANEL		1PC
(4)	FOOTBOARD PANEL		1PC	(10)	DRAWER		3PCS
(5)	12 SLATS		2PCS	(11)	DRAWER SINGLE BAR		1PC
(6)	SIDE RAIL		2PCS	(12)	DRAWER VERTICAL BAR		3PCS

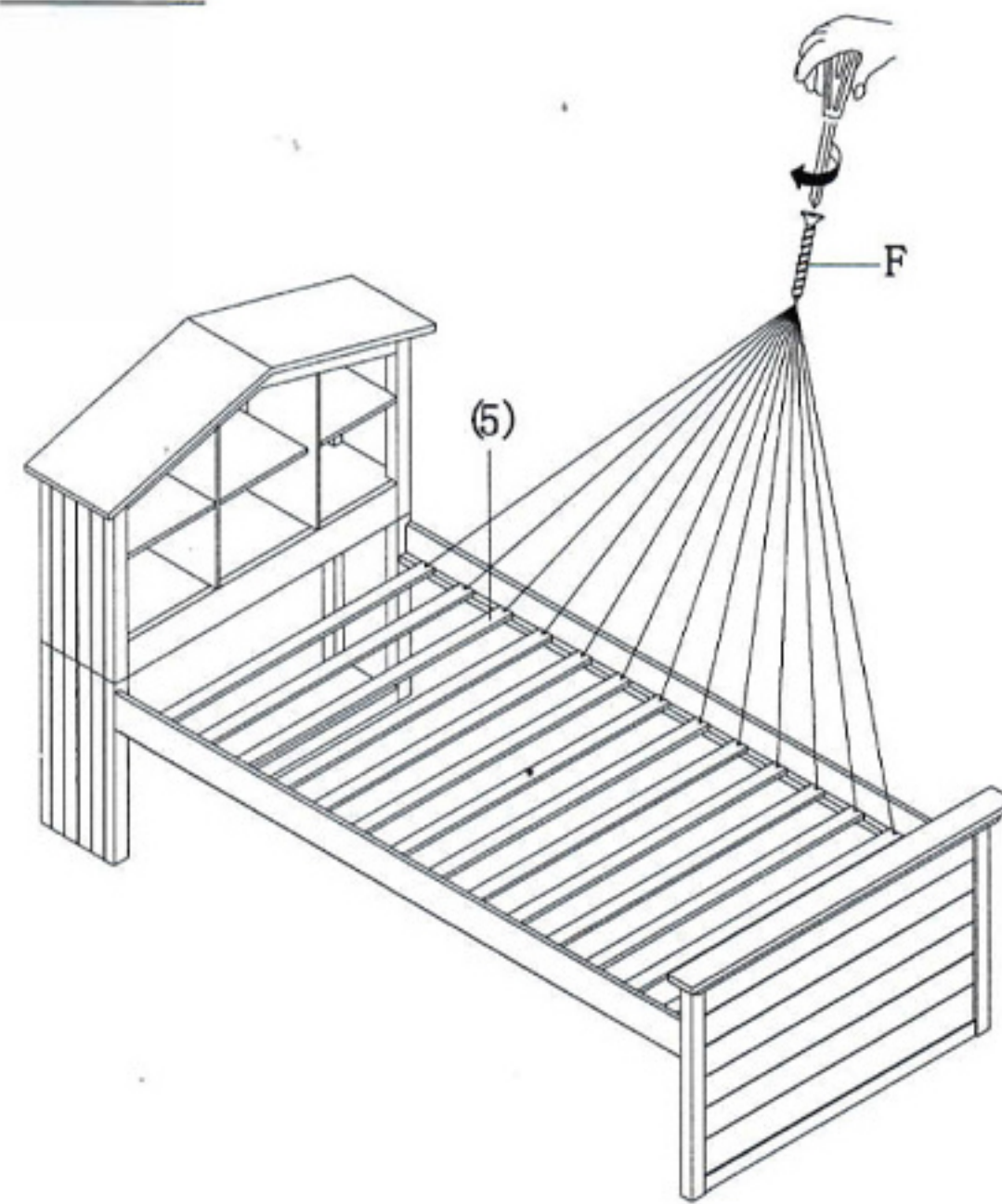
STEP1



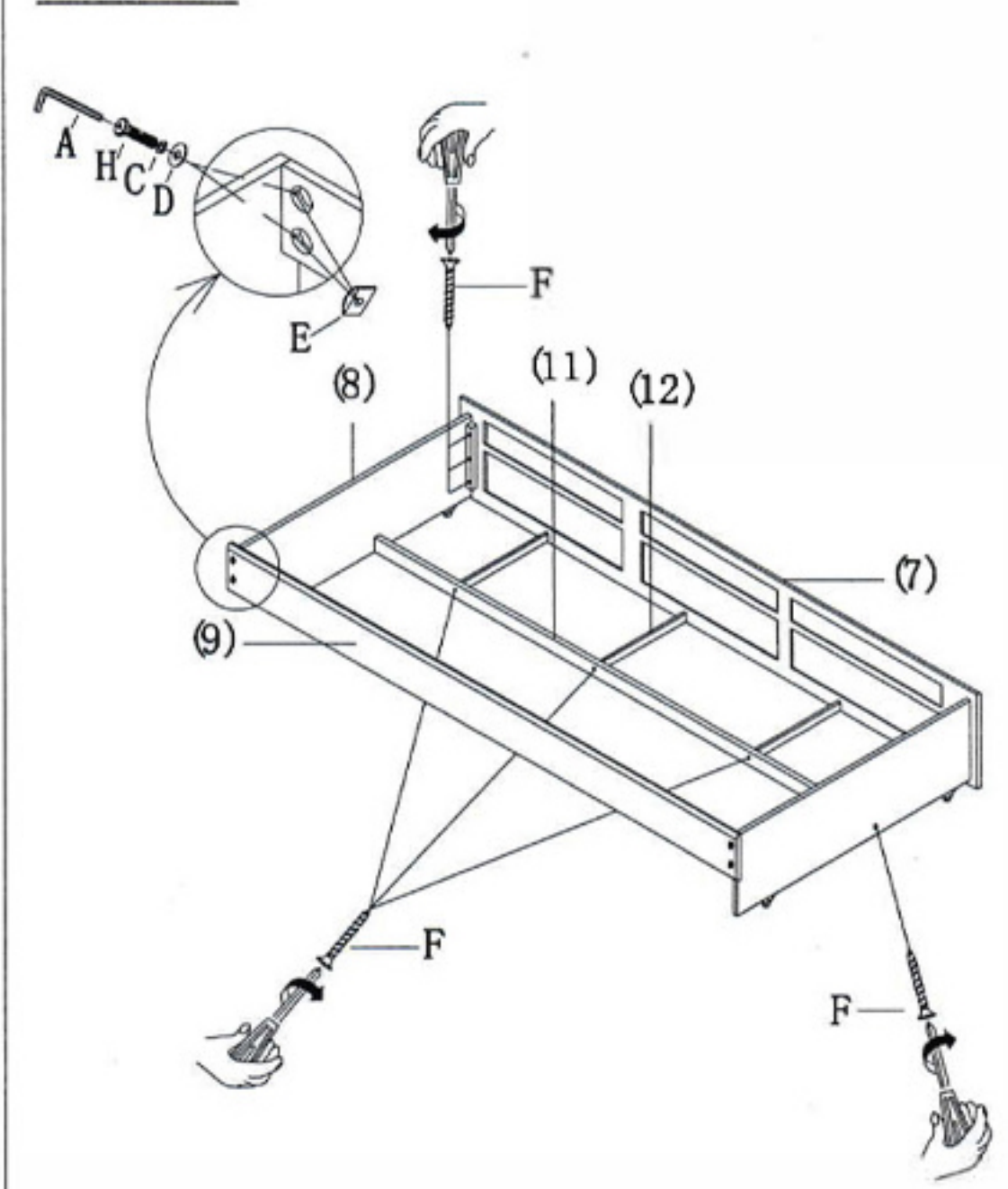
STEP2



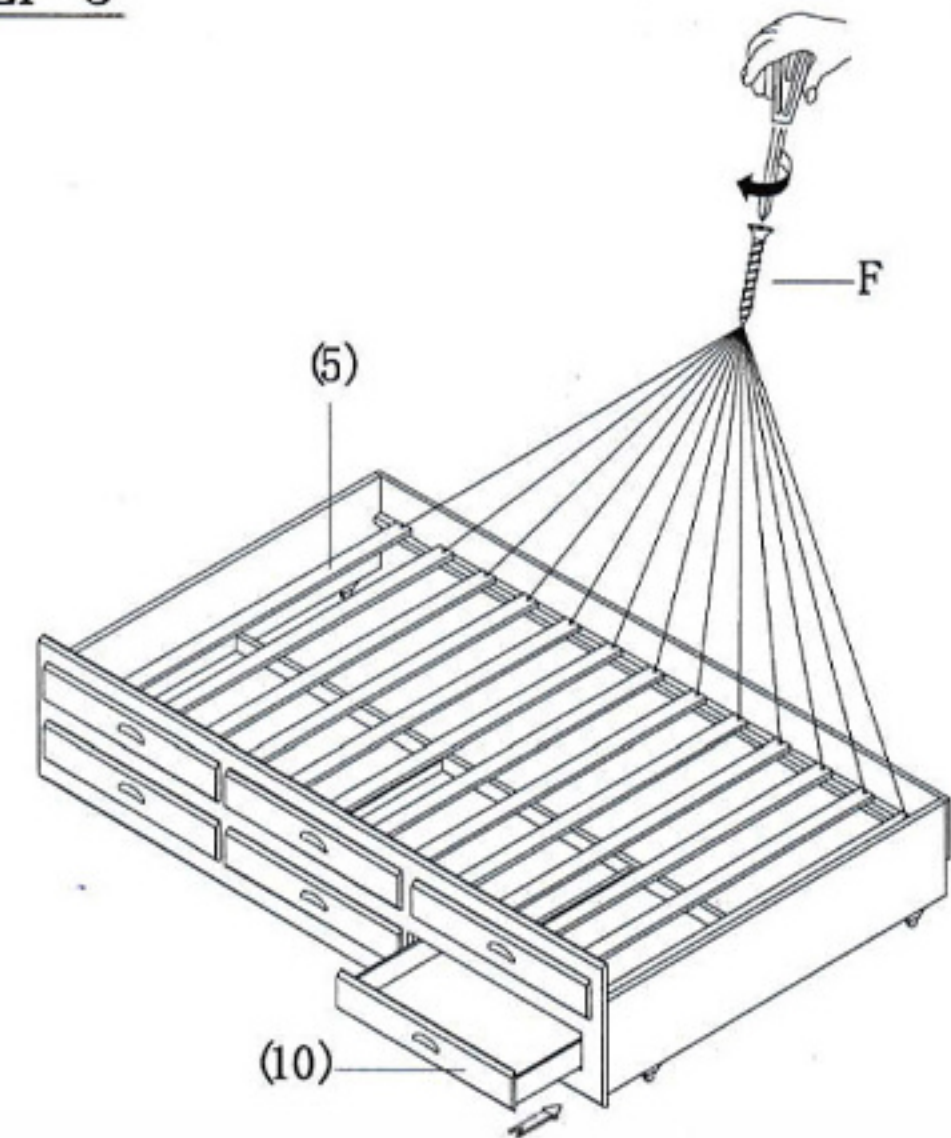
STEP3



STEP4



STEP 5



STEP 6

