

# Installation & Assembly

## 9 Drawer Storage



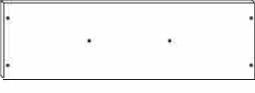
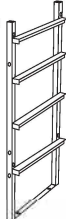
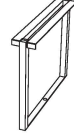
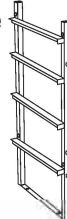
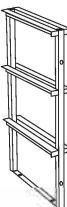








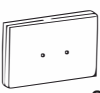
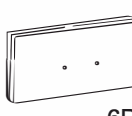

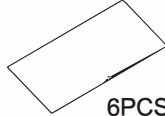


Made in China

# 9 Drawer Storage

## Assembly Instructions

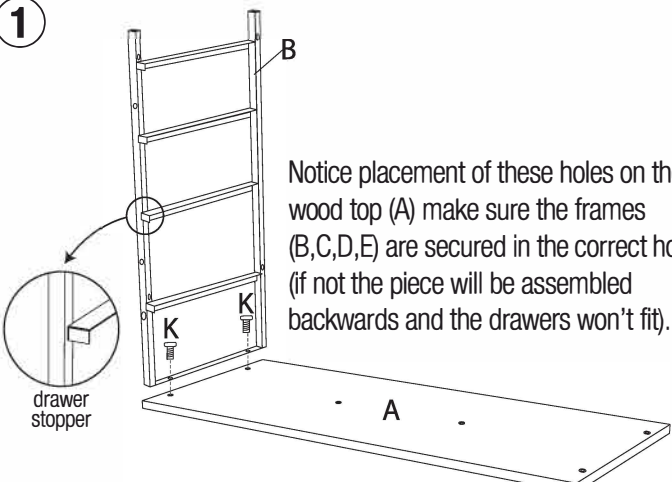
Thank you for your purchase. Please reference assembly instructions before use. Make sure all parts are present and place them side by side for easy identification.

Package Contents:

<b>A</b> Wood Top  1PC	<b>B</b> Frame  1PC	<b>C</b> Frame  2PCS	<b>D</b> Frame  1PC	<b>E</b> Frame  1PC	<b>F</b> Frame Pole  2PCS	<b>G</b> Pole  2PCS	
<b>H</b> Rear Bars  4PCS	<b>I</b> Hex Key a  1PC b  1PC	<b>J</b> Hex Cap  8PCS	<b>K</b> Screw  8PCS	<b>N</b> Hex Wrench  1PC	<b>O</b> Drawer  3PCS  6PCS	<b>P</b> Drawer Insert  3PCS  6PCS	<b>Q</b> Handle  9PCS <b>R</b> Handle Screw  18PCS

### FOR EACH STEP MAKE SURE THE FRAMES ARE FACING THE CORRECT DIRECTION!

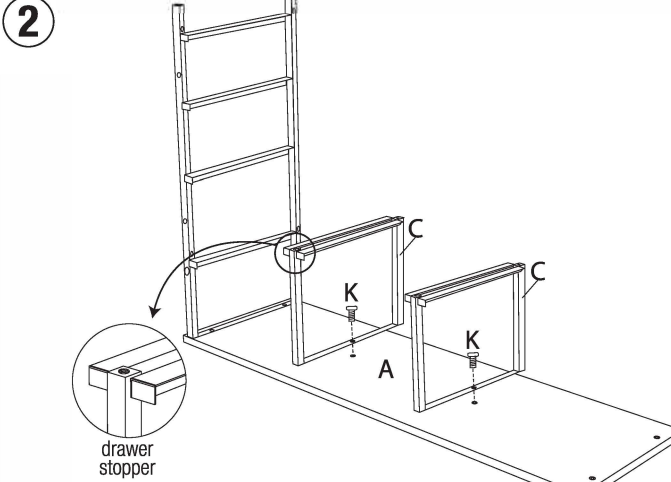
**1**



Notice placement of these holes on the wood top (A) make sure the frames (B,C,D,E) are secured in the correct holes (if not the piece will be assembled backwards and the drawers won't fit).

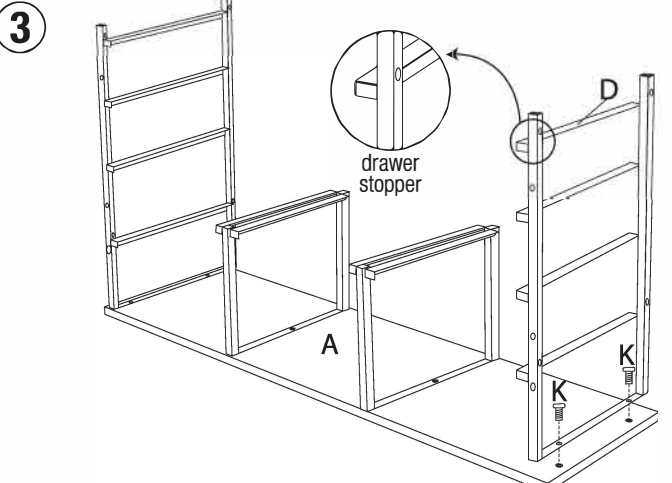
**Step 1:** Secure frame (B) to wood top (A) as shown above with screws (K) then tighten with hex key (Ia). The drawer stopper should be facing the back.

**2**



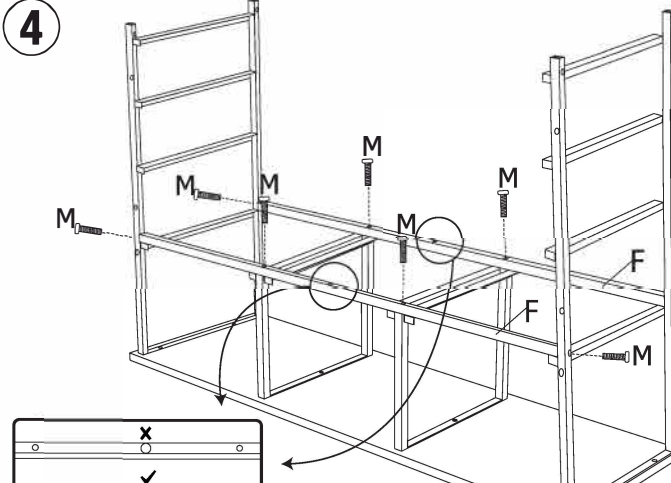
**Step 2:** Secure frames (C) to wood top (A) as shown above with screws (K) then tighten with hex key (Ia). Make sure the holes of the drawer top and the frame match the picture above. The drawer stopper should be facing the back.

**3**



**Step 3:** Secure frame (D) to wood top (A) as shown above with screws (K) then secure with hex key (Ia). Please make sure the holes of the drawer top and the frame match the picture above. The drawer stopper should be facing the back.

**4**

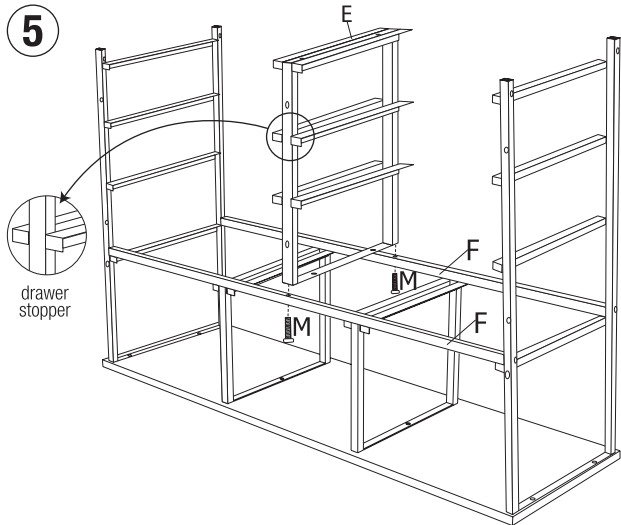


**Step 4:** Follow guide above. Make sure the small middle hole is facing up. (If not the screws won't fit in.) Position the frame poles (F) into place and secure with screws (M) and hex key (Ia) as shown.

# 9 Drawer Storage

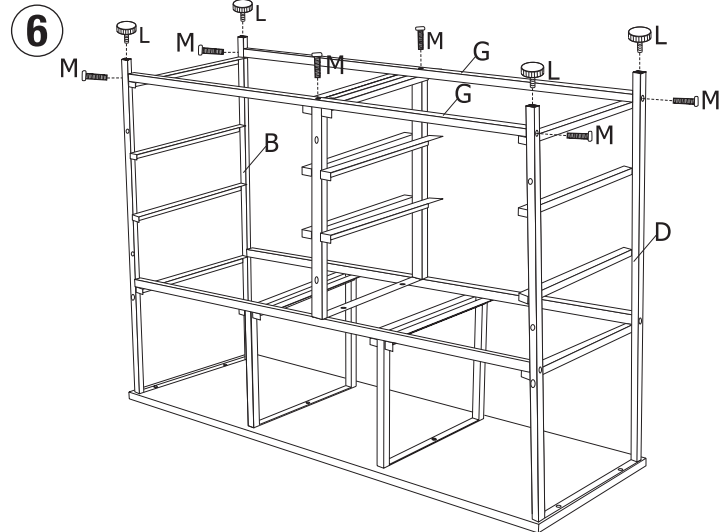
## Assembly Instructions

Thank you for your purchase. Please reference assembly instructions before use. Make sure all parts are present and place them side by side for easy identification.



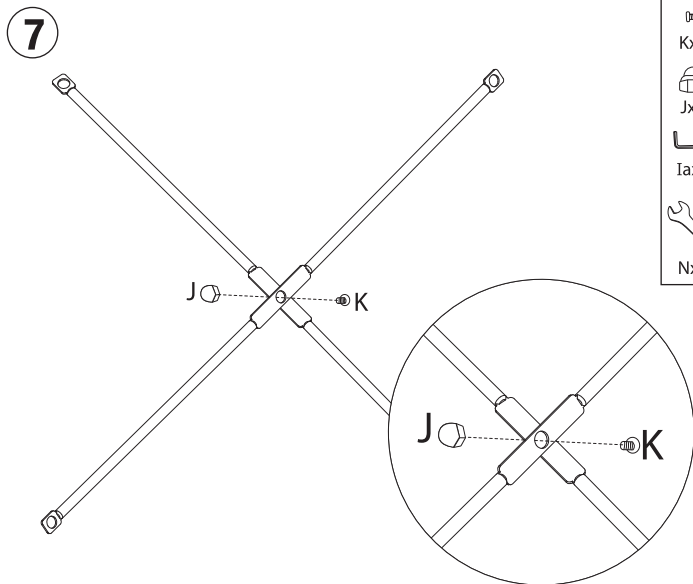
- Mx2
- Iax1

**Step 5:** Position frame (E) into place and secure to pole (F) with screws (M) using hex key (Ia). The drawer stopper should be facing the back.



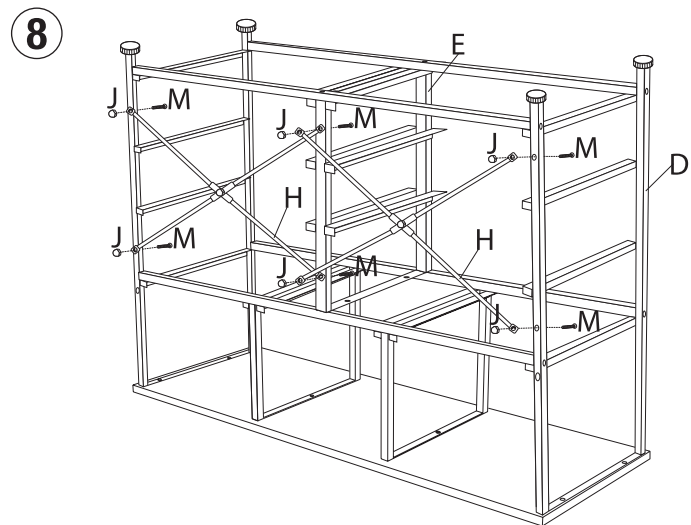
- Mx6
- Lx4
- Iax1

**Step 6:** Secure poles (G) with screws (M) using hex key (Ia). Insert frame screws (L) into the legs of frames (B, D), twist until tight.



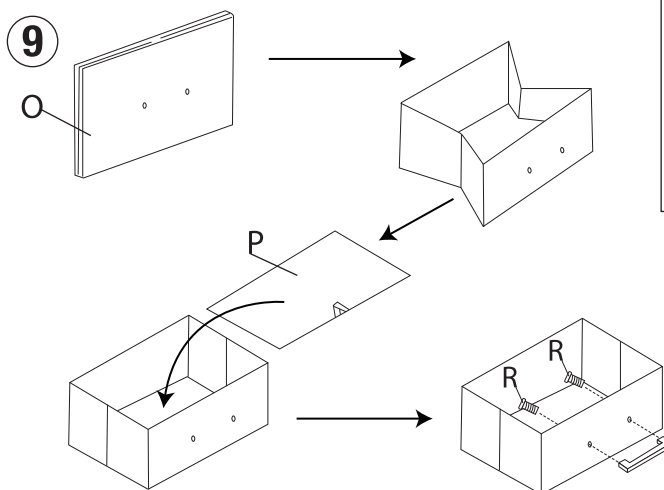
- Kx2
- Jx2
- Iax1
- Nx1

**Step 7:** Align and secure both sets of rear bars (H) together using a hex cap (J) and screw (K). Tighten with hex key (Ia) hex wrench (N).



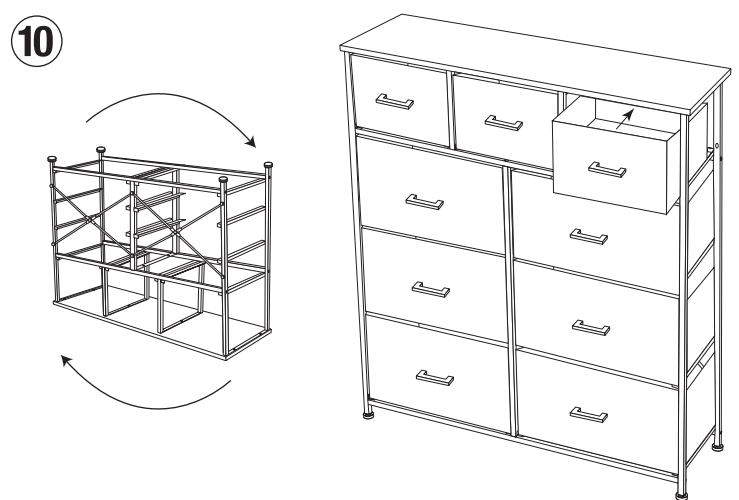
- Mx6
- Jx6
- Iax1
- Nx1

**Step 8:** Secure rear bars (H) to frame (D) using hex caps (J) and screws (M) as shown. Tighten with hex key (Ia) and hex wrench (N). Secure remaining holes of both rear bars (H) to frame (E) using hex caps (J) and screws (M) as shown.



- Ib x1
- Rx18
- Qx9

**Step 9:** Unfold drawers (O) then place drawer insert (P) inside. Secure handle (Q) and handle screws (R) to the drawers (O) using the hex key (Ib).



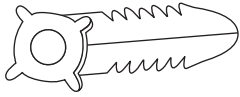
**Step 10:** Turn over shelf frame. Insert drawers (O) into assembled storage dresser. Make sure everything is tightened & secure before use. Enjoy!

## 9 Drawer Storage

Assembly Instructions

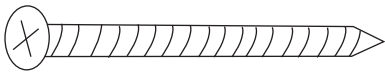
For your safety, please secure the unit to the wall with the following steps

### A Wall Anchor



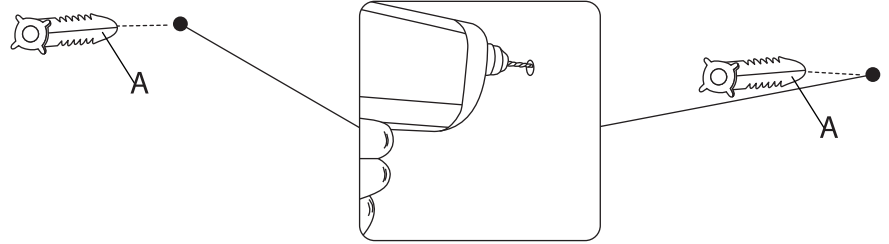
2PCS

### B Wall Mount Screw



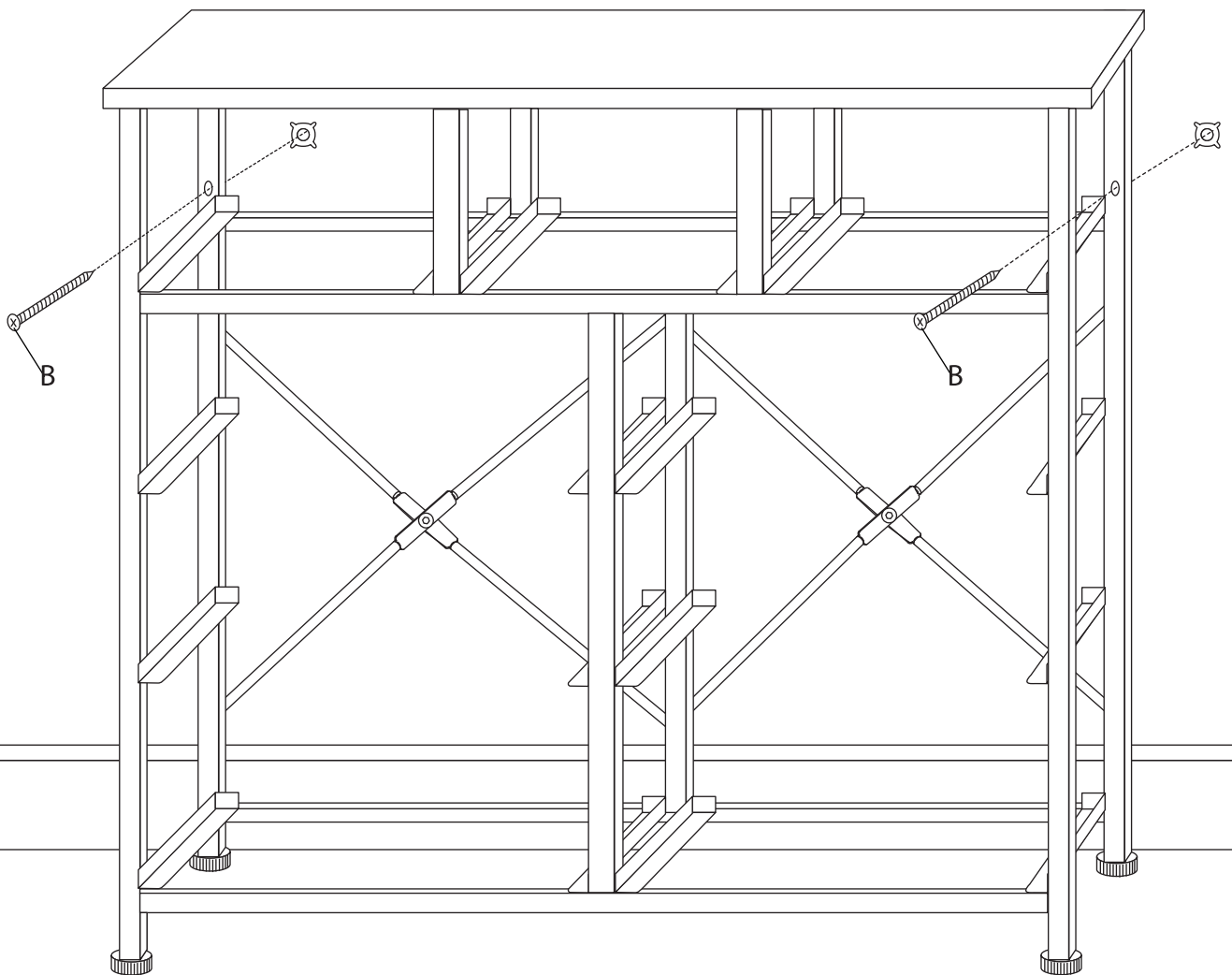
2PCS

1



**Step 1:** Drill a hole into the wall using a 6mm bit and gently insert the wall anchor (A) with the help of a hammer.

2



**Step 2:** Place the shelf against the wall, and insert the wall mount screws (B). After making sure everything is secure, feel free to use. Enjoy!