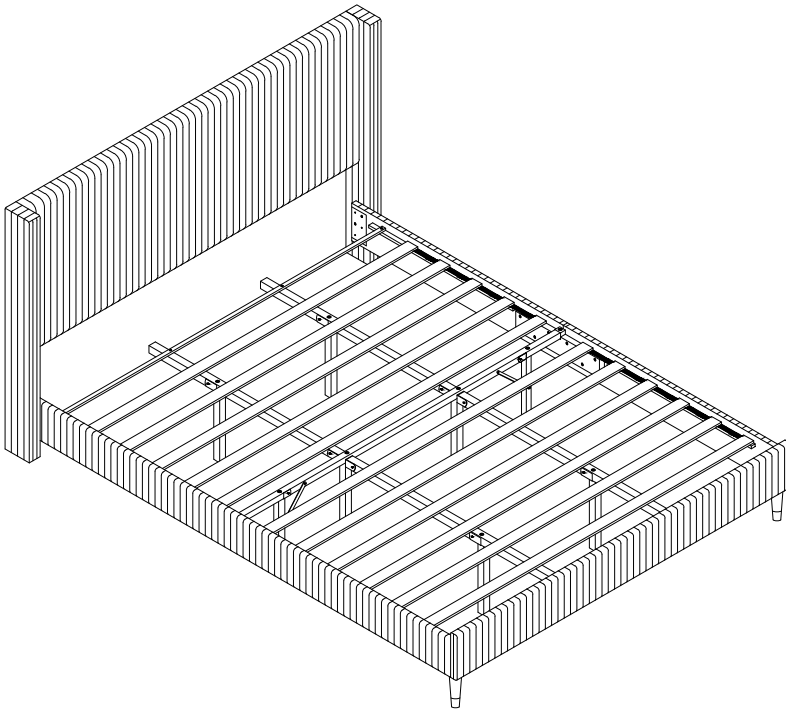


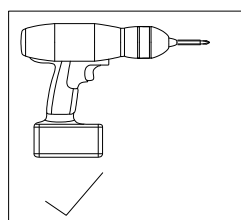
ASSEMBLY INSTRUCTION



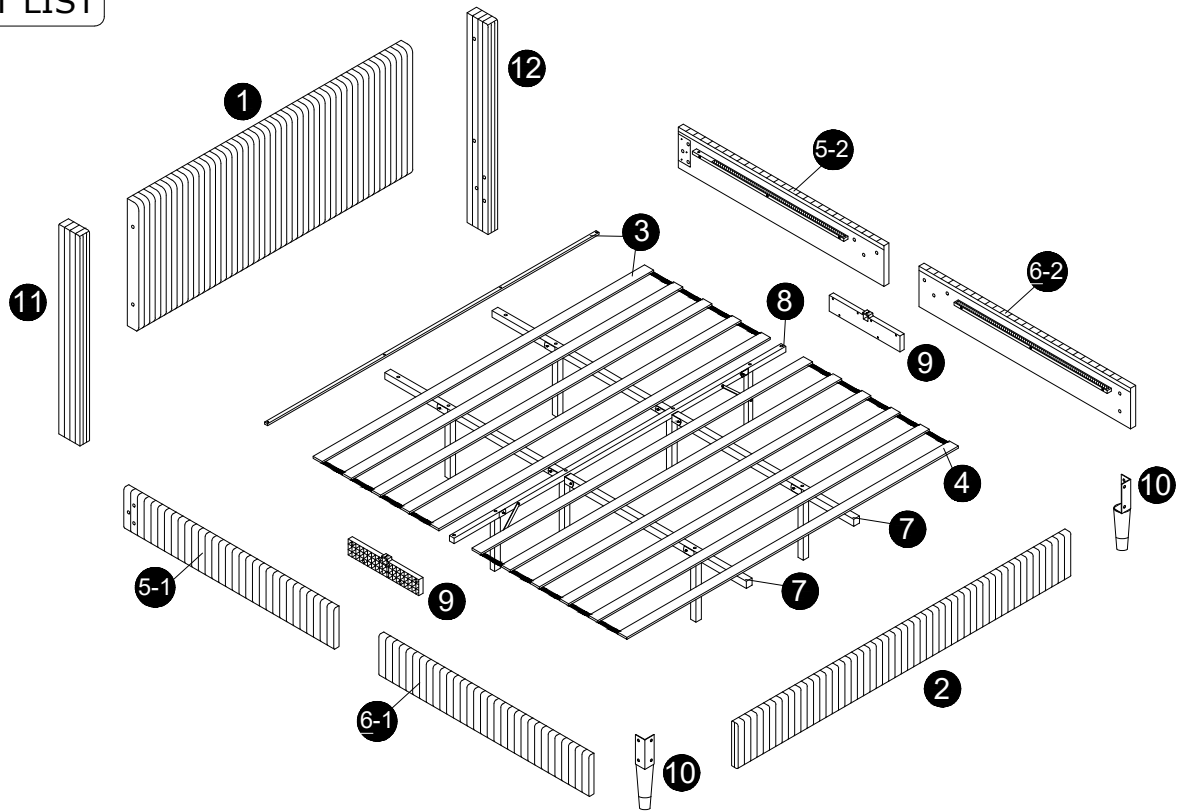
Please **TEAR OFF** this shrink film from side!
DO NOT USE CUTTER!

IMPORTANT NOTE

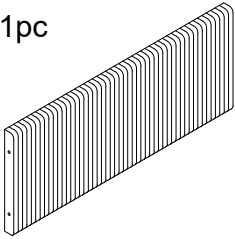
1. FOR THE PROTECTION OF YOUR FURNITURE, PLACE ALL PARTS ON A CLEAN AND SMOOTH SURFACE TO PREVENT ANY DAMAGE.
2. KEEP FITTINGS OUT OF CHILDREN'S REACH AND KEEP CHILDREN WELL AWAY FROM CONSTRUCTION AREA.
3. WHEN MOVING YOUR ASSEMBLED BED. IT IS BEST TO LIFT THE BED AND NEVER TO DRAG IT.
4. NOT USE THIS PRODUCT IF PARTS ARE MISSING, DAMAGED OR WORN.
5. THIS PRODUCT SHOULD ONLY BY USED ON FIRM, LEVEL GROUND.
6. PLEASE PERIODICALLY CHECK ALL FITTINGS AND RE-TIGHTEN AS NECESSARY.
7. DO NOT USE THE BED UNLESS ALL BOLTS AND SCREWS ARE FIRMLY SECURED.



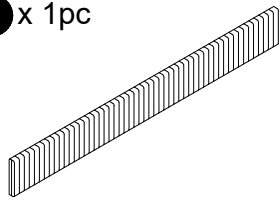
PART LIST



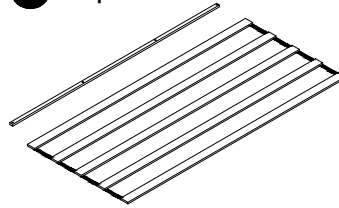
1 x 1pc



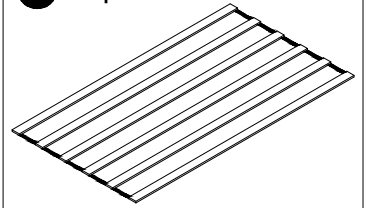
2 x 1pc



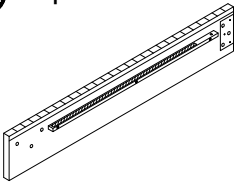
3 x 1pc



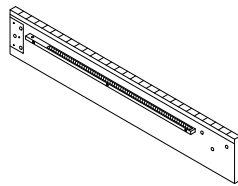
4 x 1pc



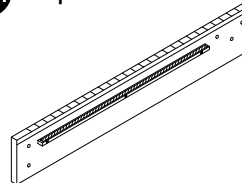
5-1 x 1pc



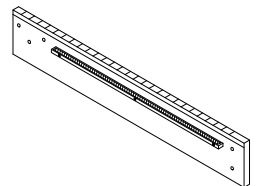
5-2 x 1pc



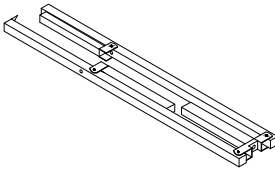
6-1 x 1pc



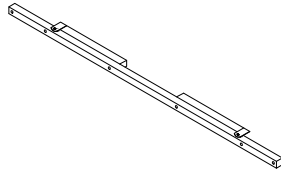
6-2 x 1pc



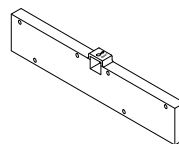
7 x 2pcs



8 x 1pc



9 x 2pcs



10 x 2pcs



11 x 1pc



12 x 1pc



HARDWARE LIST



H1 M5 x 1pc



H2 M8x20mm x 10pcs



H3 M8x60mm x 2pcs



H4 M8x40mm x 32pcs



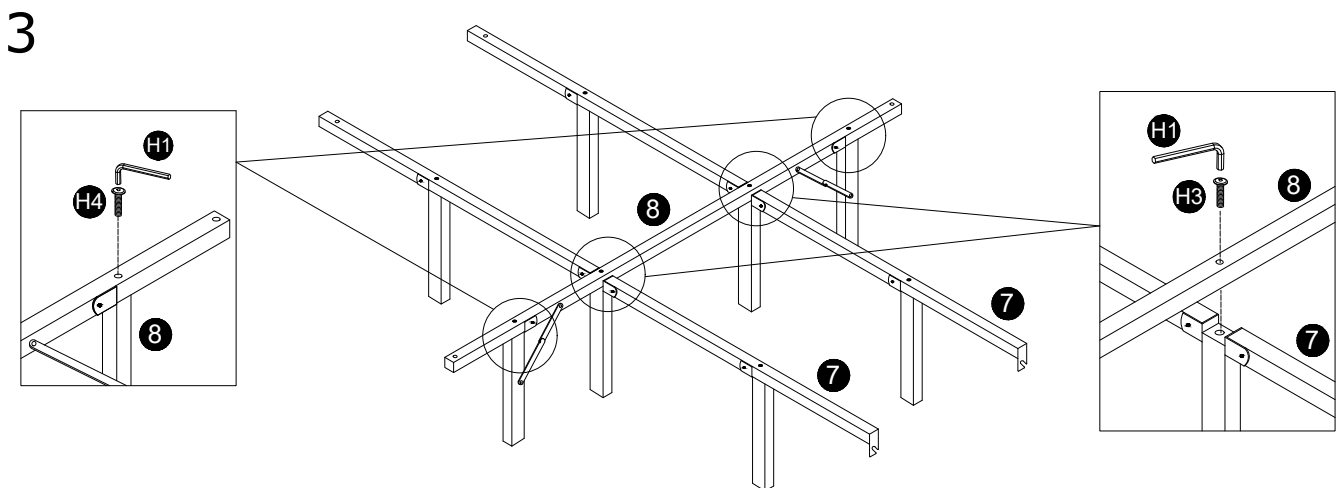
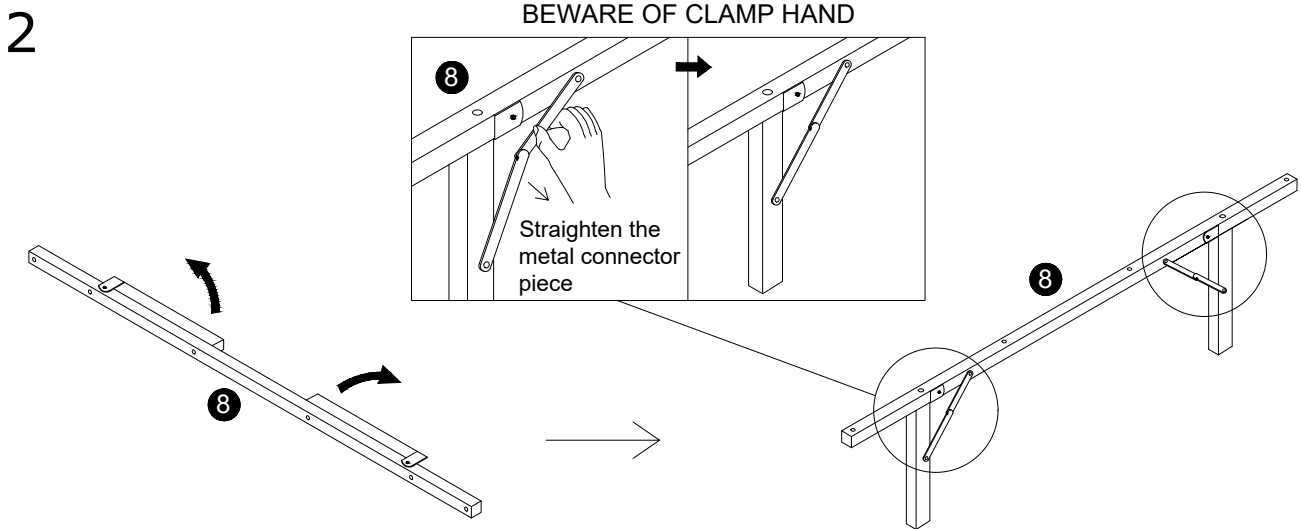
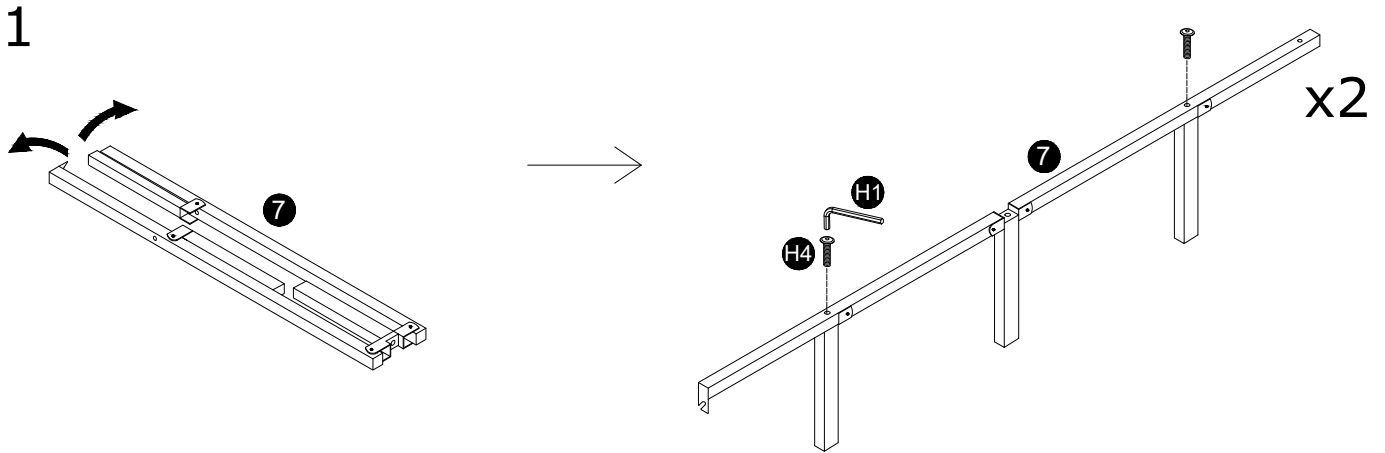
H5 M8 x 10pcs



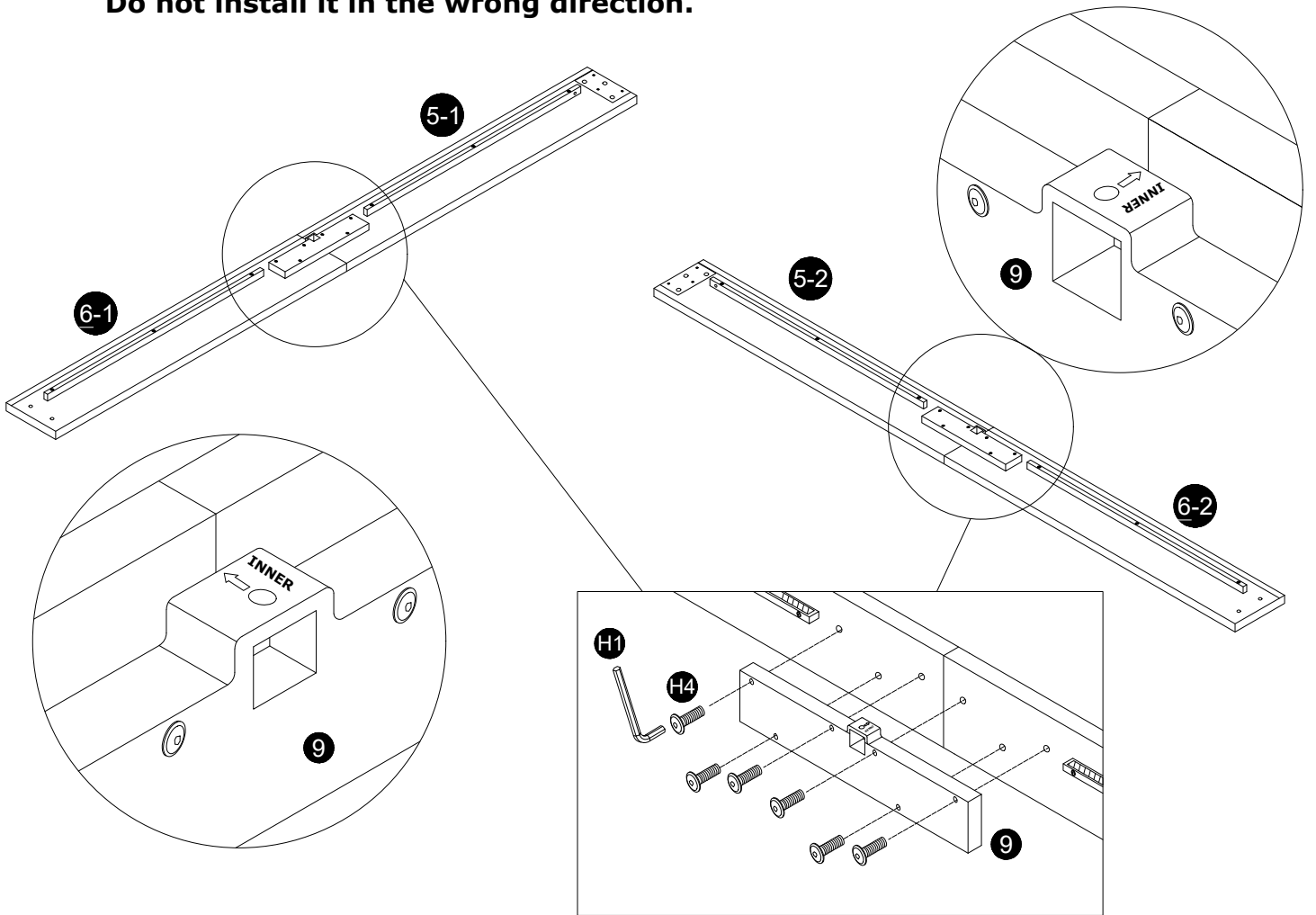
H6 M8x50mm x 2pcs



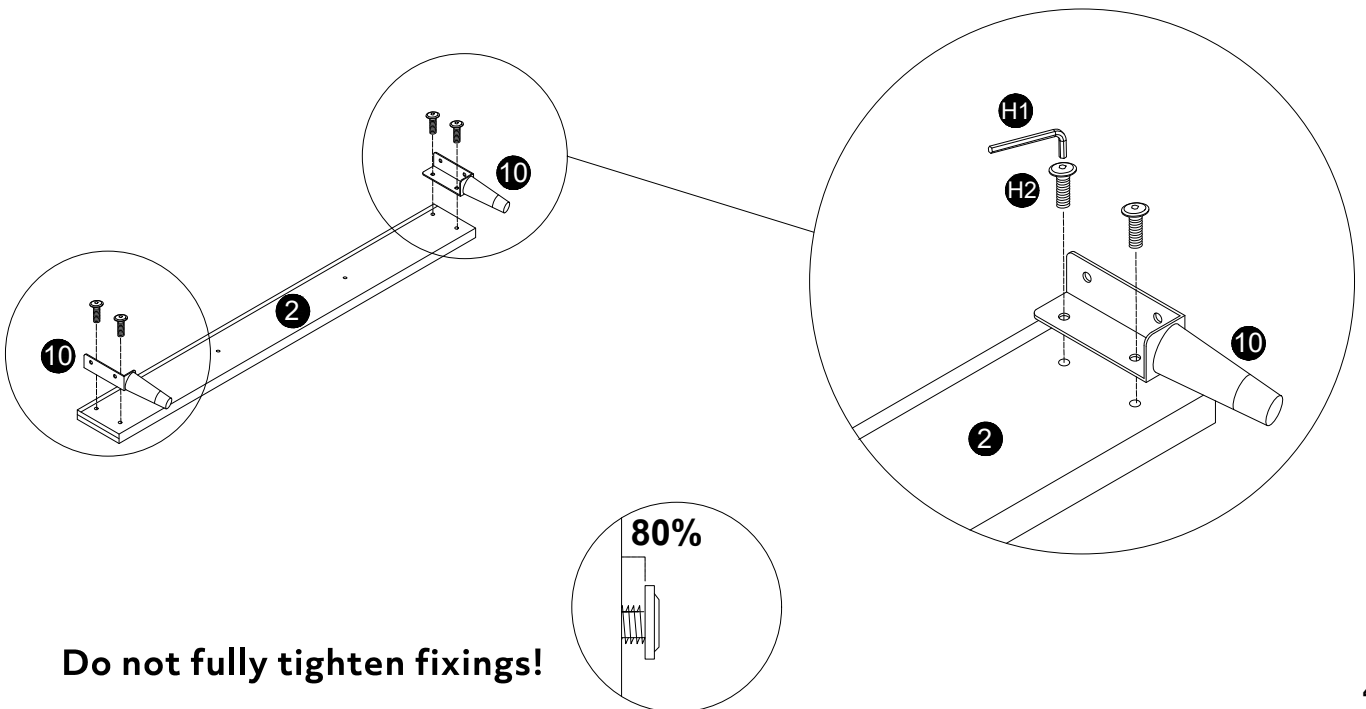
H7 M8x22mm x 10pcs



4 Important: Please pay attention to the installation direction of part 9. The arrow on top of part 9 should point towards the side rail. Do not install it in the wrong direction.

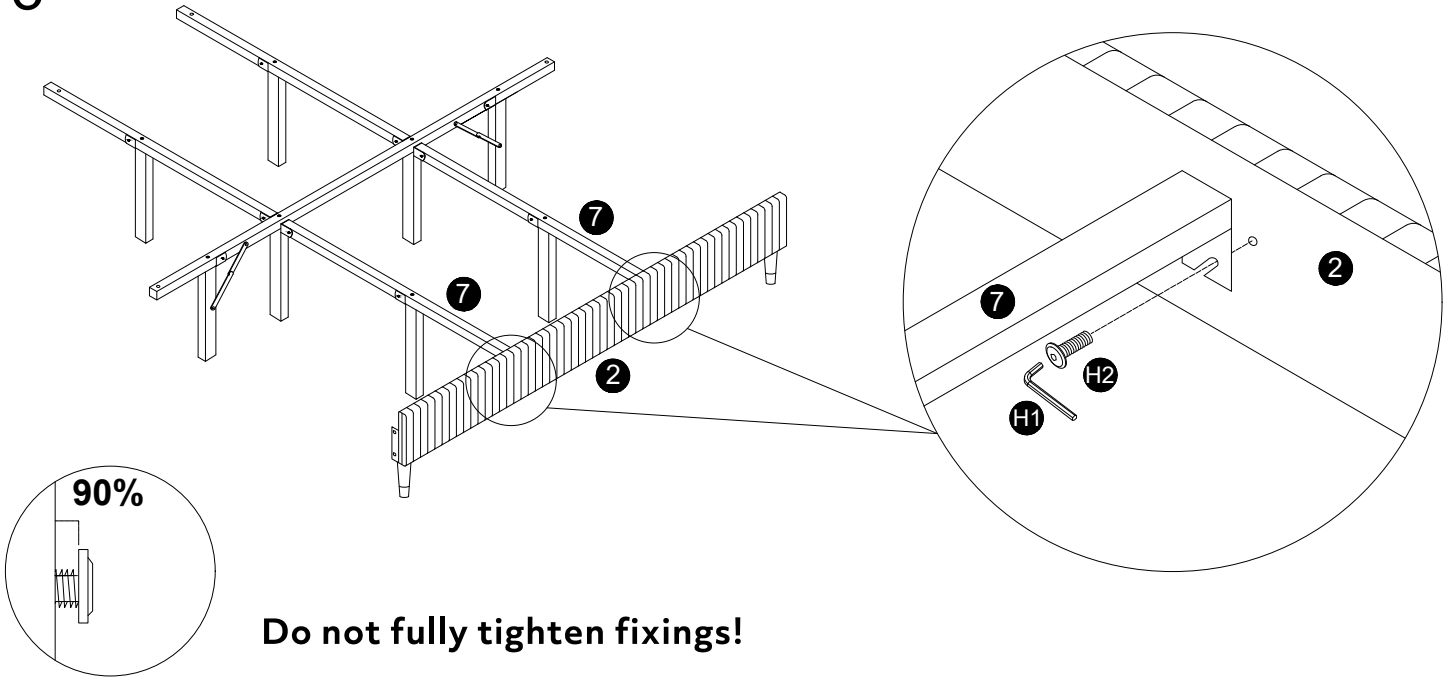


5

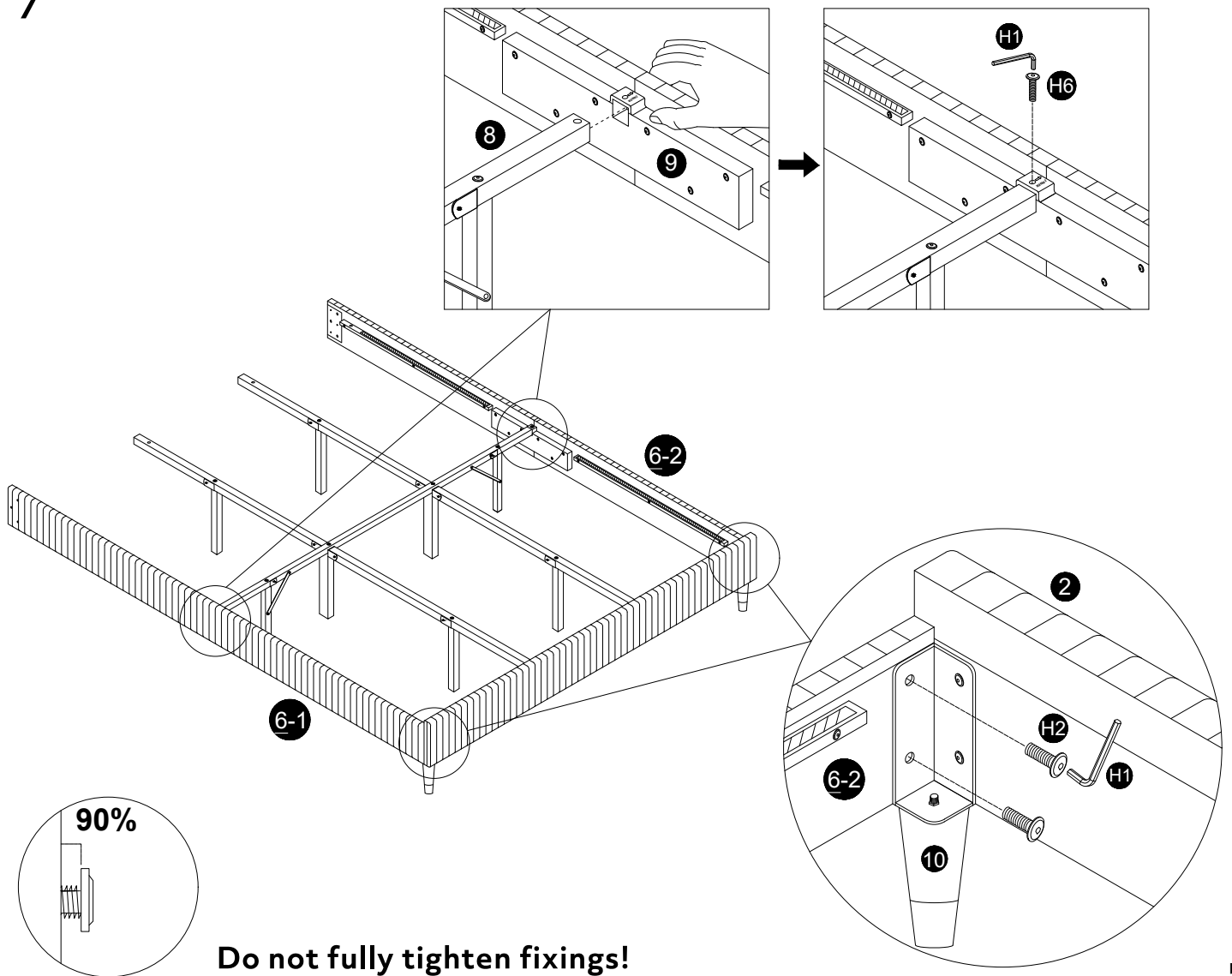


Do not fully tighten fixings!

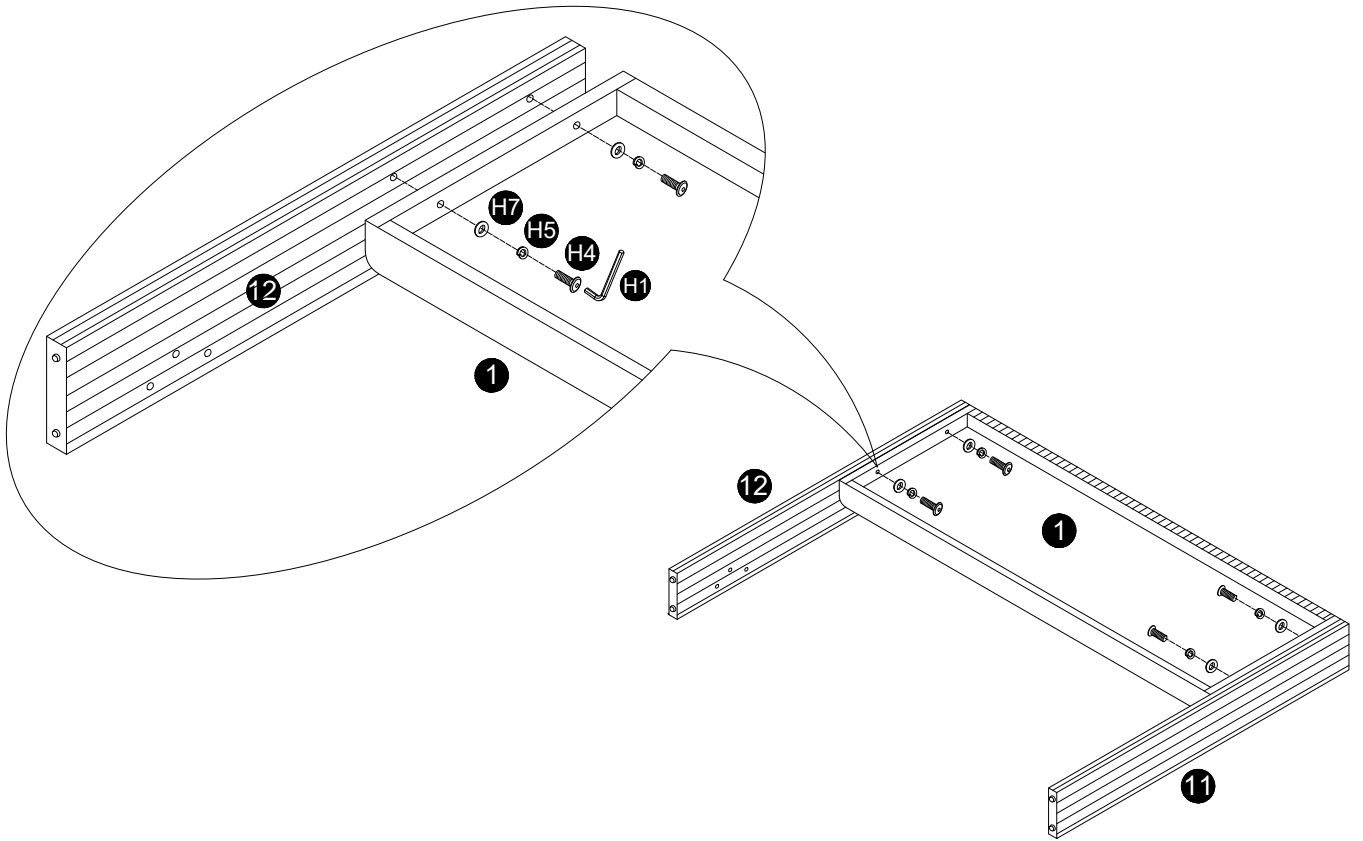
6



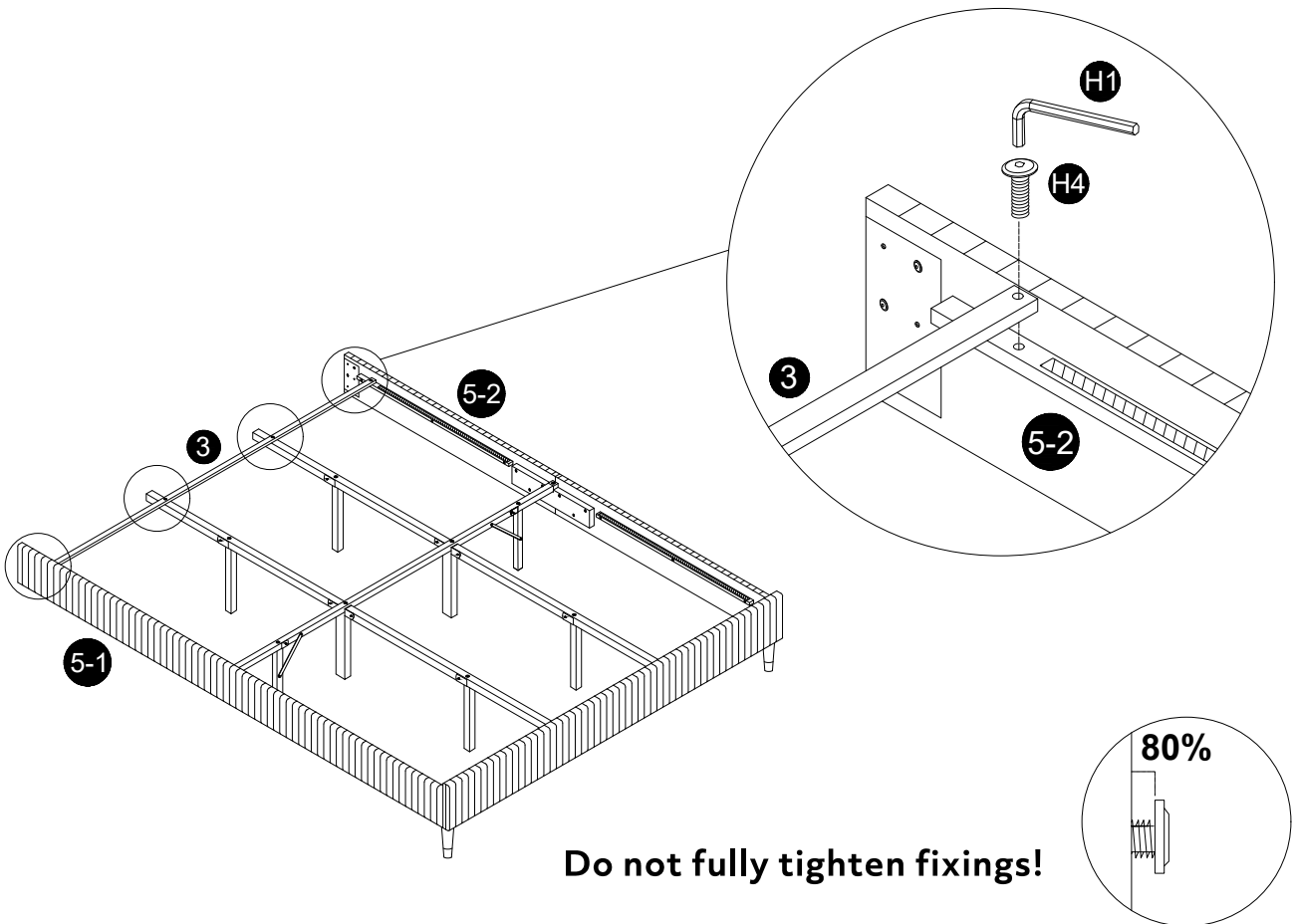
7



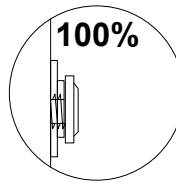
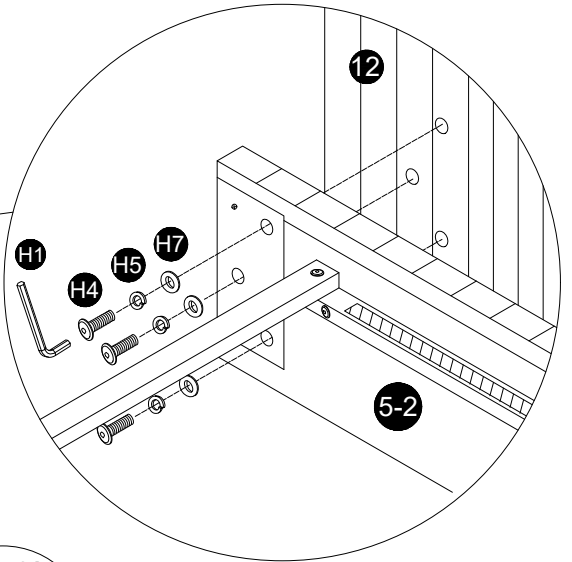
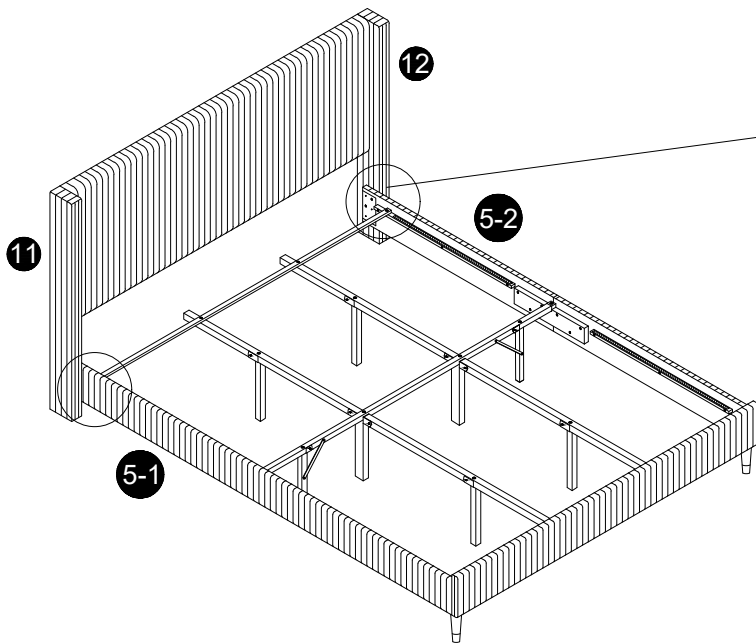
8



9

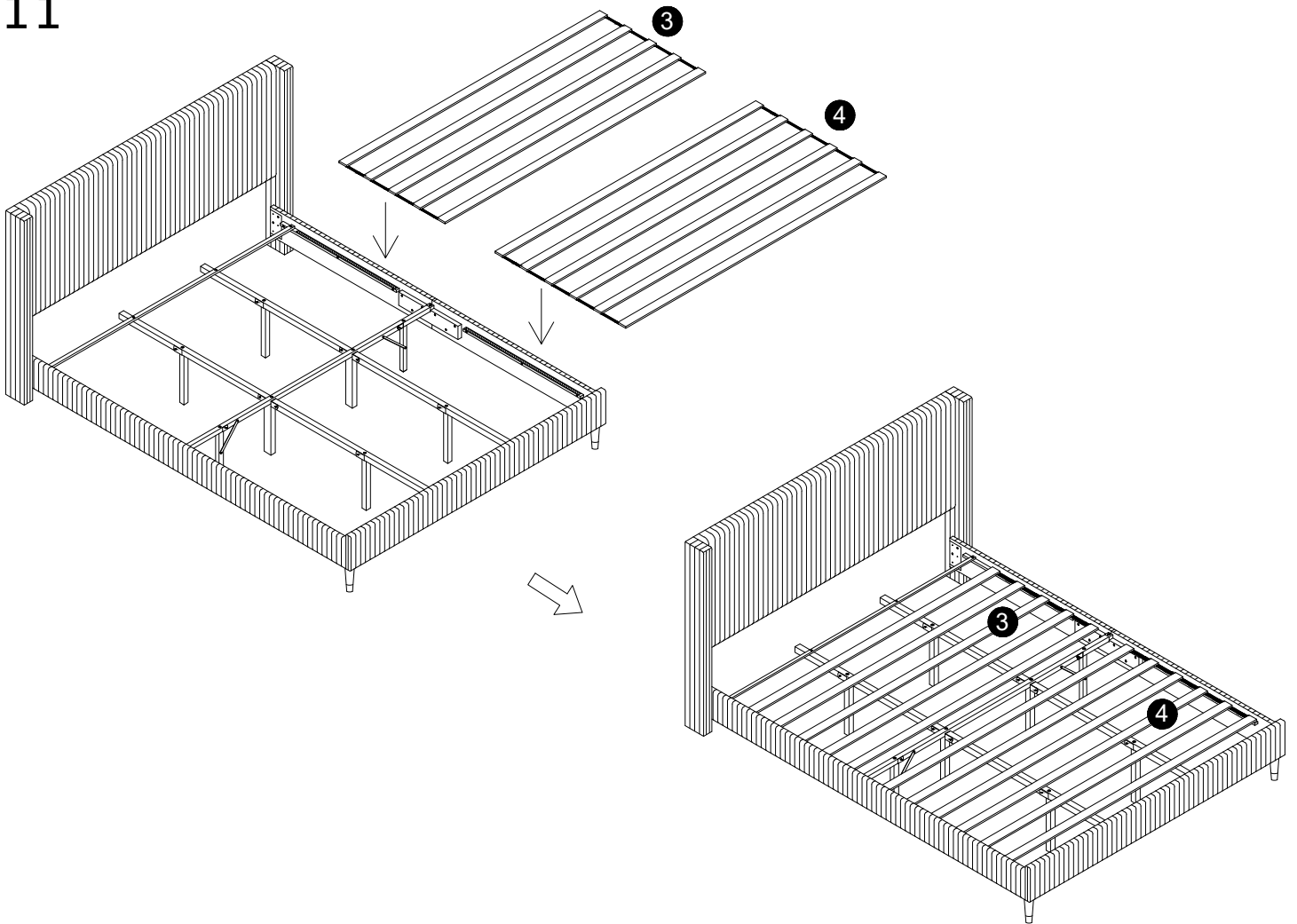


10



After installing the headboard, tighten ALL the screws from Step 5 to Step 9 to ensure the bed frame is stable.

11



Job Complete !

In the interest of our environment please dispose of all packaging thoughtfully.