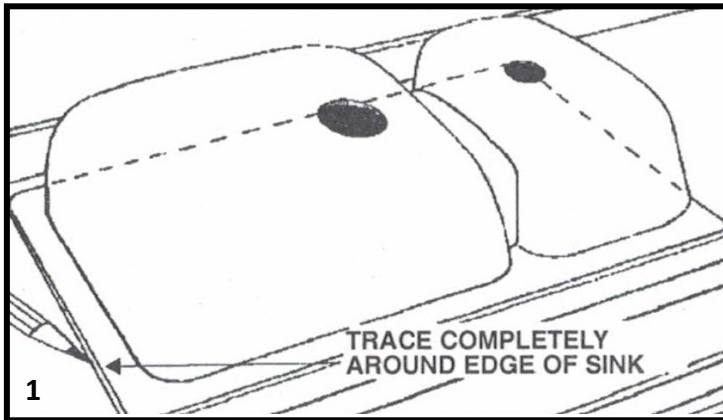
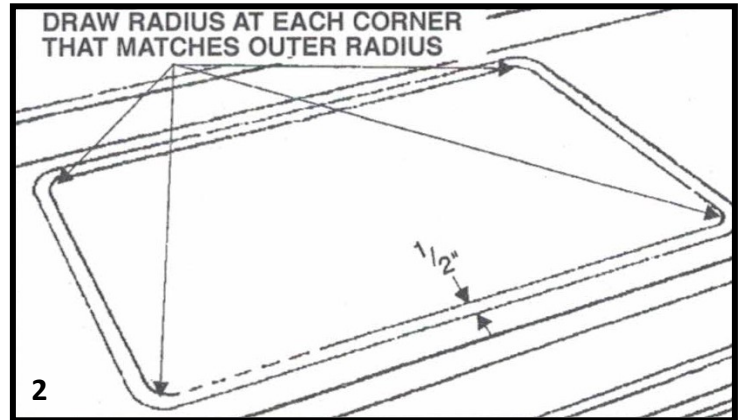


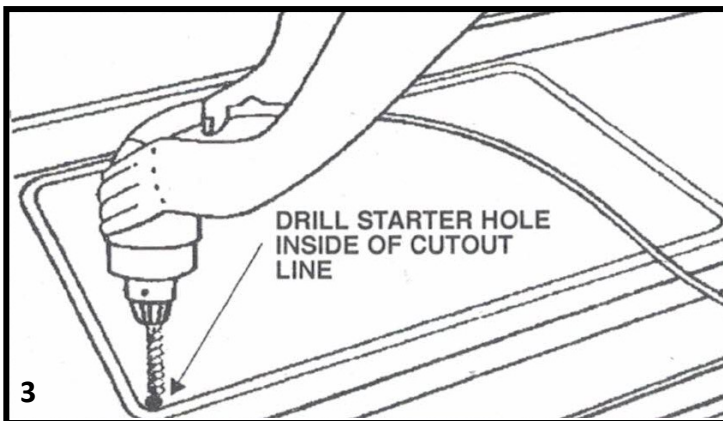
- Read these instructions thoroughly before you begin.
- Always inspect sink closely for damage prior to installing. Do not install a damaged sink.
- Take care when handling stainless steel sinks as they may have sharp edges.
- Take care when handling quartz sinks as they are heavy.
- Adhere to all local building and plumbing codes.



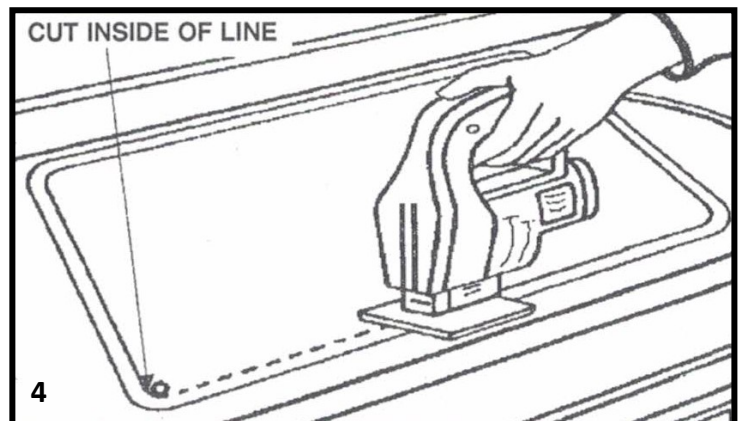
If a paper template has been provided, follow the instructions on the template. If no template is available, use the sink as your template. Place sink upside down in the position where sink is to be installed. Pay attention to backsplash and sink cabinet constraints such as tip-out trays. Trace around the sink.



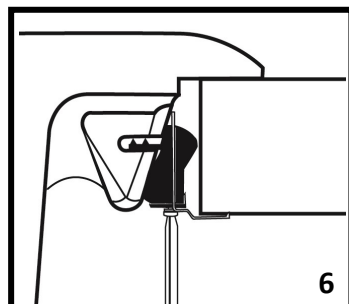
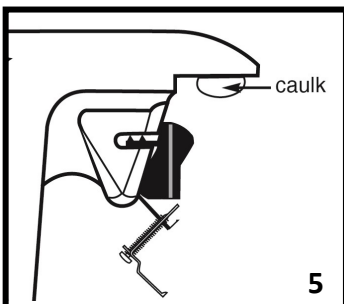
Draw a second line 1/2" inside of the outside perimeter line. This will be your cut line.



Drill a starter hole just inside of the cut line.



Use a jigsaw to make the cutout. If you are using a countertop material other than laminate, you will need to use the appropriate router and hard surface template to accomplish the cutout.



Attach supplied clips to the anchor points on the underside of the sink rim. Styles of clips may vary by sink type. Place a bead of a good quality silicone on the underside rim of the sink. Locate the sink correctly in the cutout in the countertop and tighten the sink clips. Wipe up excess silicone with a damp rag.

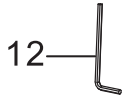
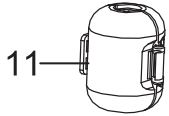
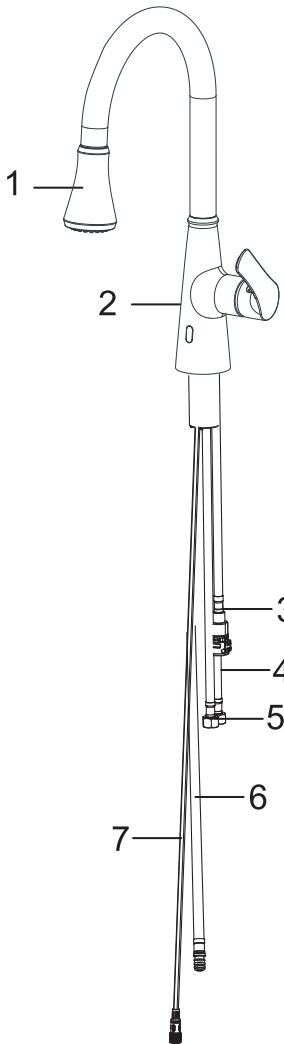
Karran[®]

INSTALLATION GUIDE

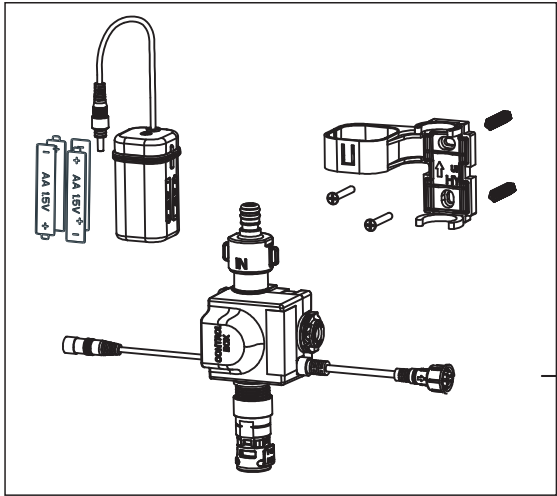
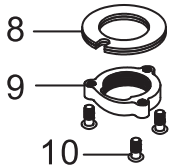


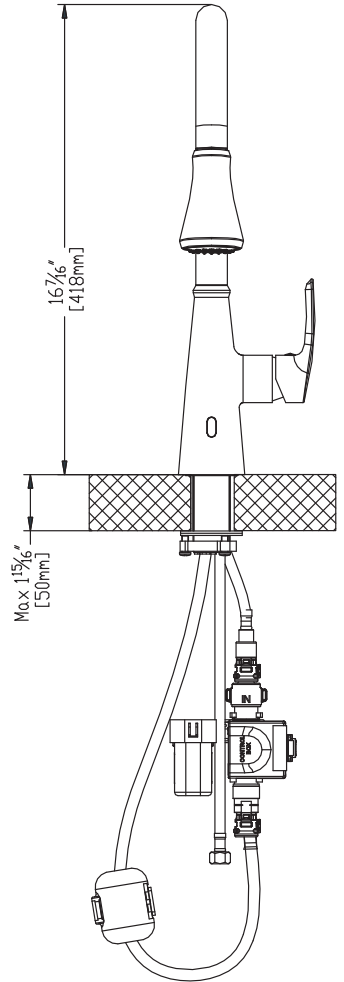
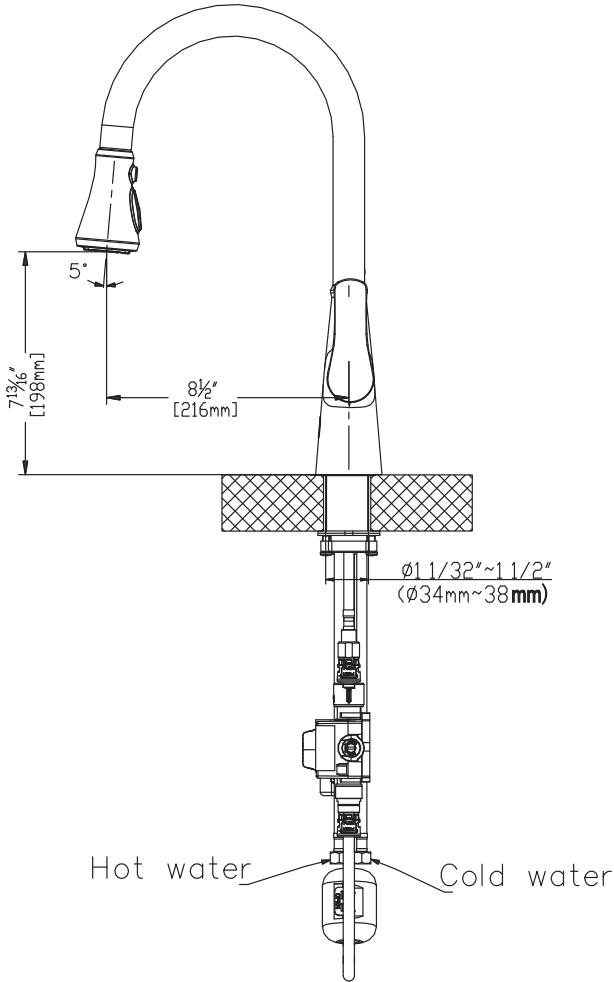
Kadoma

Models: KKF340SS KKF340MB
KKF340GG



1	Spray Head
2	Faucet Body
3	Quick Connector
4	Hot Water Line
5	Cold Water Line
6	Spray Hose
7	Sensor Line
8	Rubber & Metal Washer
9	Mounting Nut
10	Mounting Screws
11	Weight
12	Hex Wrench
13	Control Box

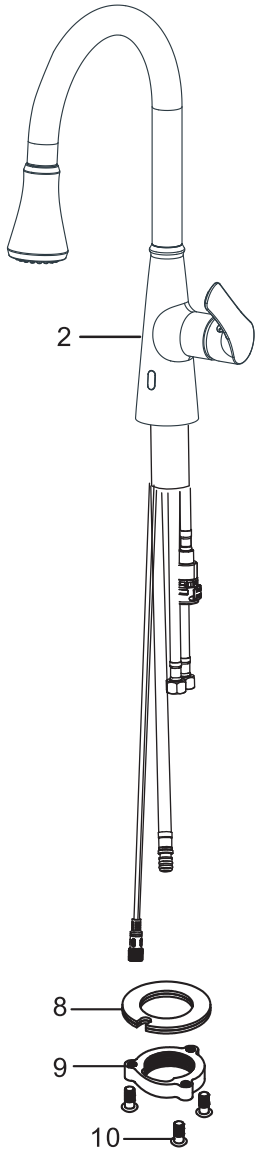




INSTALLATION GUIDE

STEP 1

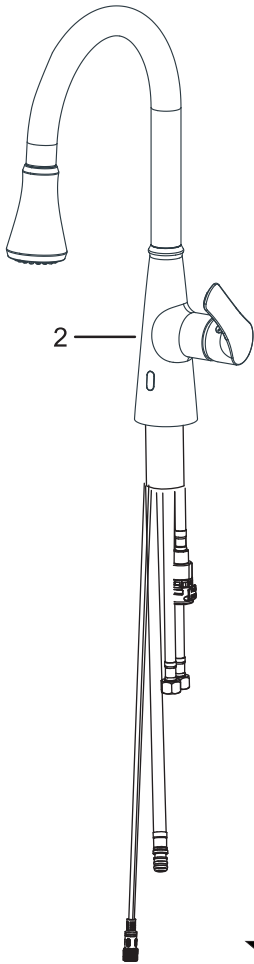
1. Remove the mounting nut (#9), rubber&metal washer (#8) from the faucet body (#2).



INSTALLATION GUIDE

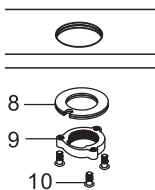
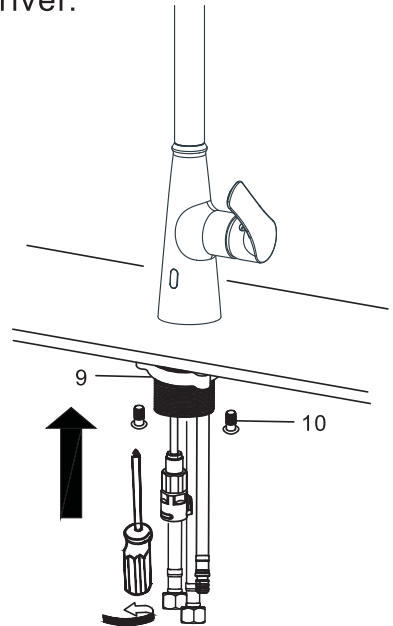
STEP 2

2. Insert the main body into the hole, refix the rubber&metal washer (#8) and mounting nut (#9) and mounting nut (#9).

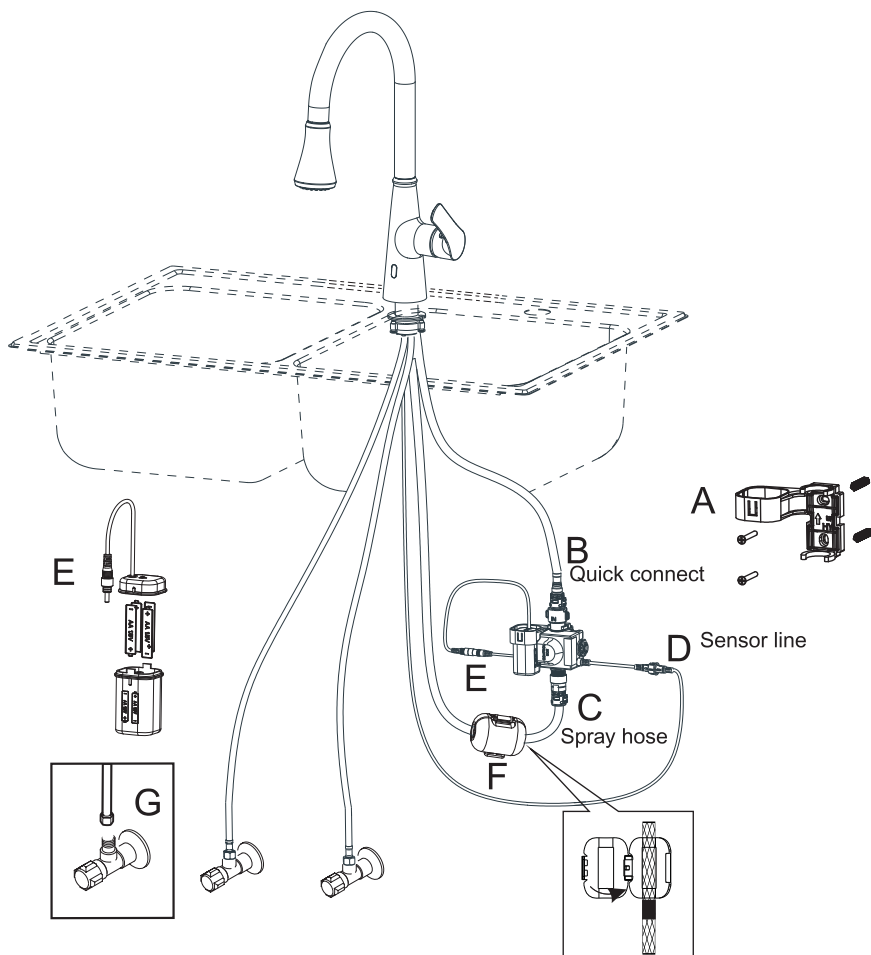


STEP 3

3. After adjusting the direction of the main body, tighten the mounting nut (#9) with hands and tighten the mounting screws (#10) with a Philips screwdriver.

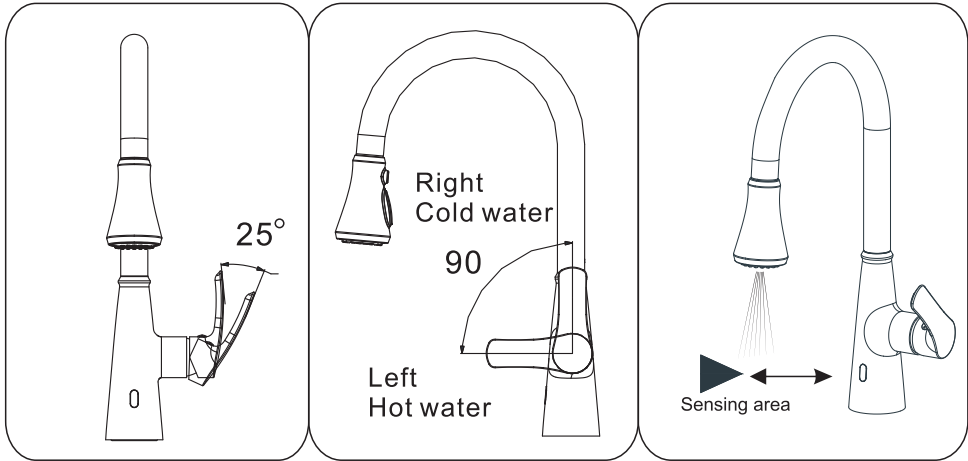


INSTALLATION GUIDE



- A. Fix the control box holder to the wall with the screws provided (part A in the picture). Then attached the control box to the holder.
- B. Insert the quick-connect to the control box (part B in the picture).
- C. Connect the spray hose to control box (part C in the picture).
- D. Connect the sensor line to control box (part D in the picture).
- E. Attach the weight to the pull-out hose (part F in the picture).
- F. Put the baterries purchased from store into the battery holder correctly. Insert the battery pack into the holder on the wall. Then connect the batteries line to the control box (Part E in the picture).
- G. Connect the water lines to water supplies (Part G in the picture).

How to operate the handle:

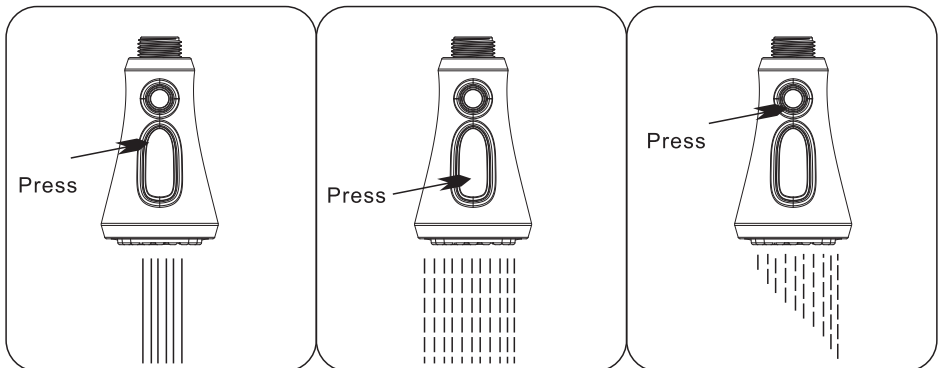


1. Open the handle lever to turn water on. Push to turn off.
2. Turn the handle lever to the left to increase hot water flow with higher water temperature. Lower the water temperature by operating reversely.
3. Flush out any debris and check for leaks.

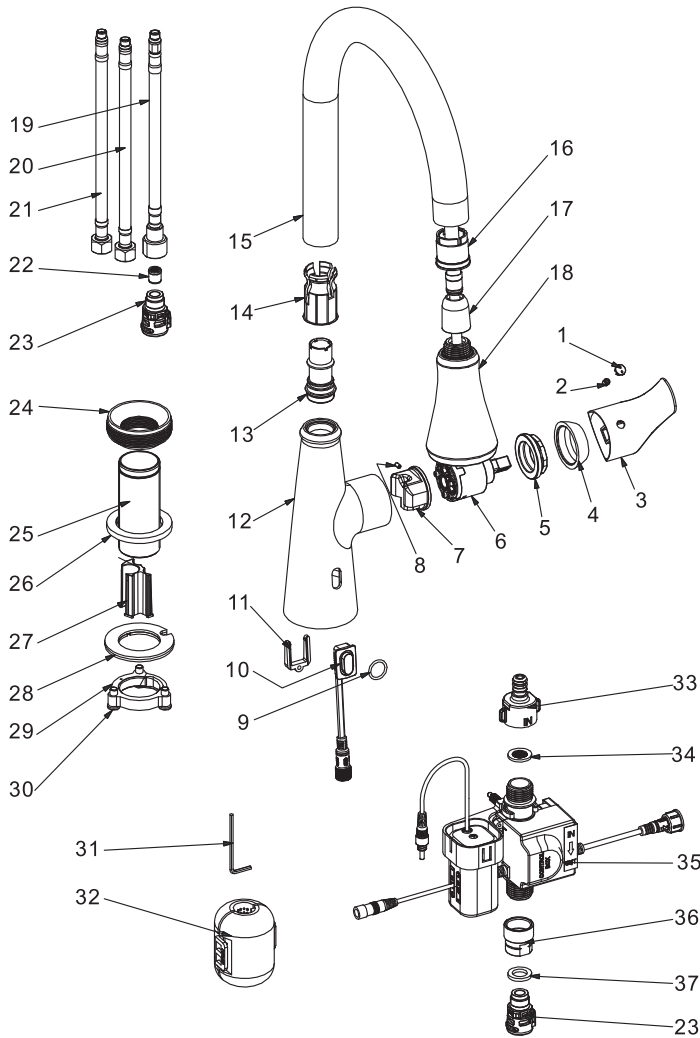
Spray

The operation of the spray diverter:

1. Press the middle button and water flows out of the nozzle.
2. Press button back, water comes from nozzles.
3. Press the button above and water will flow out of the nozzle.



REPLACEMENT PARTS



No.	Description	Finish/Color	Item No.
1	Index		80N81051
2	Set Screw		8EM5X5
3	Handle	SS,MB,GG	80P35WWH2
4	Trim Cap	SS,MB,GG	5ZG16463
5	Lock Nut		8YG16045
6	Cartridge		J10350WH13
7	Cartridge Hosing		81T569167DQ
8	Body		8EM3X6
9	Screw		8J168X18A
10	Induction Joint		7G1569X88
11	Snap Ring		5SJ569X88
12	Body	SS,MB,GG	50T569X88
13	Connector		5YJ569110
14	Protector		5SJ569110A
15	Spout	SS,MB,GG	50G569180
16	Pull-out Protector		4SJ569168
17	Spray Hose		H569167
18	Spray	SS,MB,GG	F3503
19	Hose		G15603SR00
20	Hot Water Line		G69703SR04
21	Cold Water Line		G69703SR05
22	Check Valve		J92031SQ0
23	Quick Connector		J156226
24	Connector		5JT569188
25	Threaded Sleeve		84T16303
26	Washer		5XJ569188
27	Pull-out Protector		7HT569149
28	Rubber Washer Metal Washer		N56U26
29	Mounting Nut		8NM56Z55
30	Mounting Screw		8RM6X15
31	Allen Key		8BS25
32	Weight		5QQ569167
33	Connector		A1569X88
34	Washer		8XJ1A200D
35	Control Box		DSA569X50
36	Connector		7JT569X54DQ
37	Washer		8J19X12X25A

*Denotes faucet component color options:
 SS - Stainless Steel
 MB - Matte Black
 GG - Gunmetal Grey