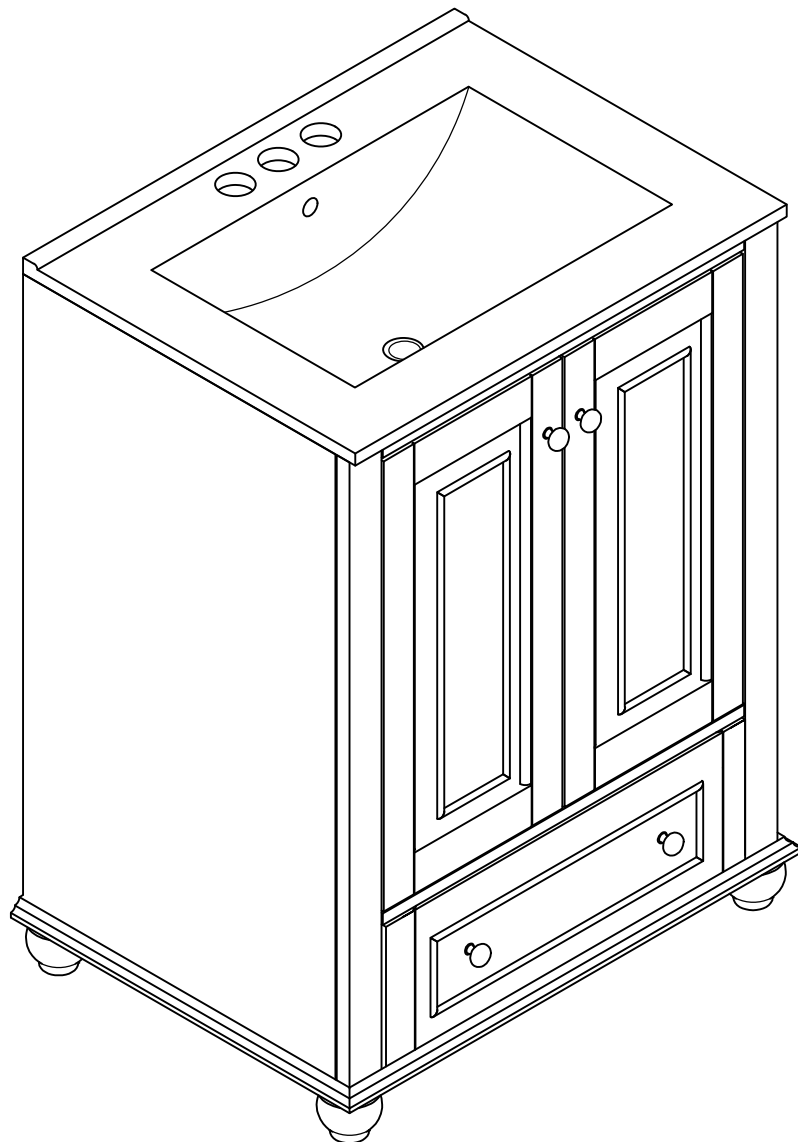


# ***Tribesigns***

DESIGNED FOR LIFE

## **Assembly Instructions**



**Bathroom Vanity**

Model No.  
**HOGA-ZF0009-YN**



[www.tribesigns.com](http://www.tribesigns.com)



# Contact Us

## We're here to help you.




Your satisfaction is our top priority. If you encounter any issues with this product, such as missing or damaged parts, we're here to help. Please retain the original packaging and take photos of the packaging and the product, then contact us as soon as possible.

### Warm Tips

1. Carefully read these instructions and keep them for future reference.
2. Check the parts list and confirm everything's there before starting assembly.
3. When assembling, put all parts on a soft, smooth surface like a carpet to avoid scratches.
4. Don't fully tighten screws until all parts are confirmed in place to avoid misalignment.

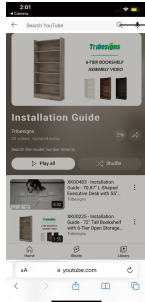
### How to Get the Assembly Video

**Step 1** Scan the QR code.



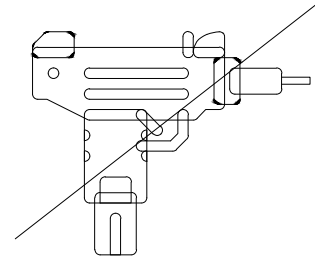
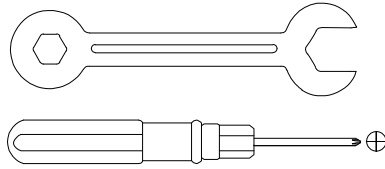
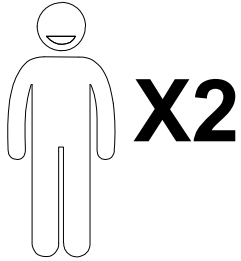
Installation Video

**Step 2** Search with the Model No.  
(on the bottom left corner of the title page)



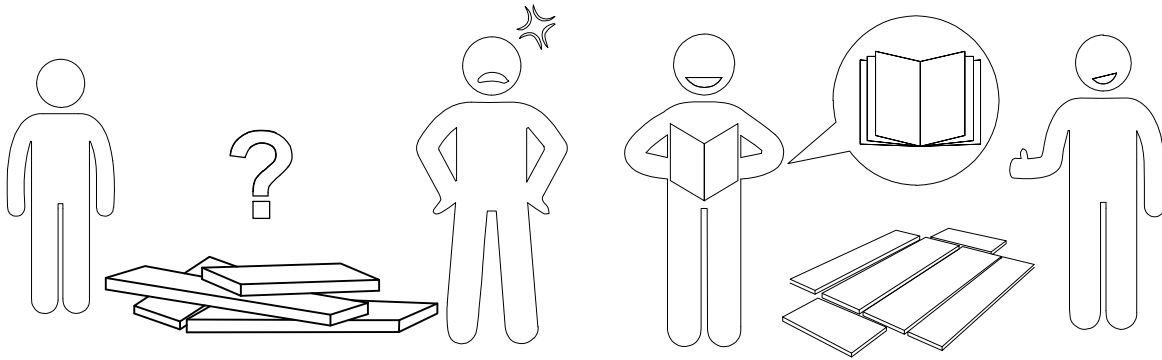
HOGA-ZF0009-YN

Note: If you can't find the assembly video, please contact us.



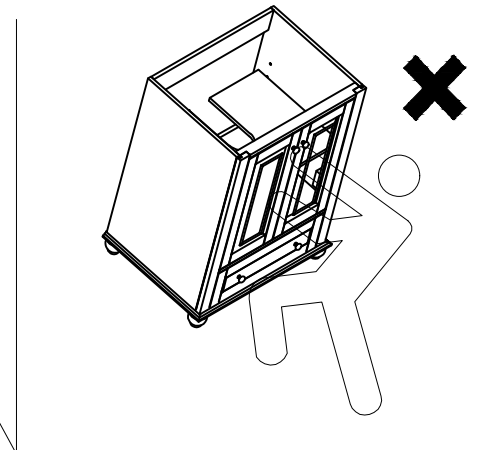
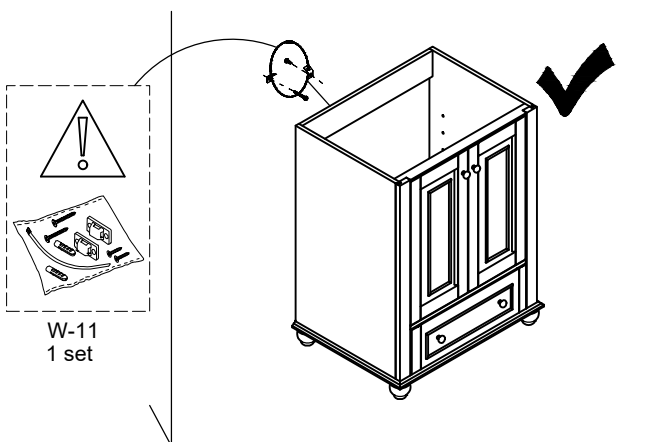
We recommend using hand tools for assembly.

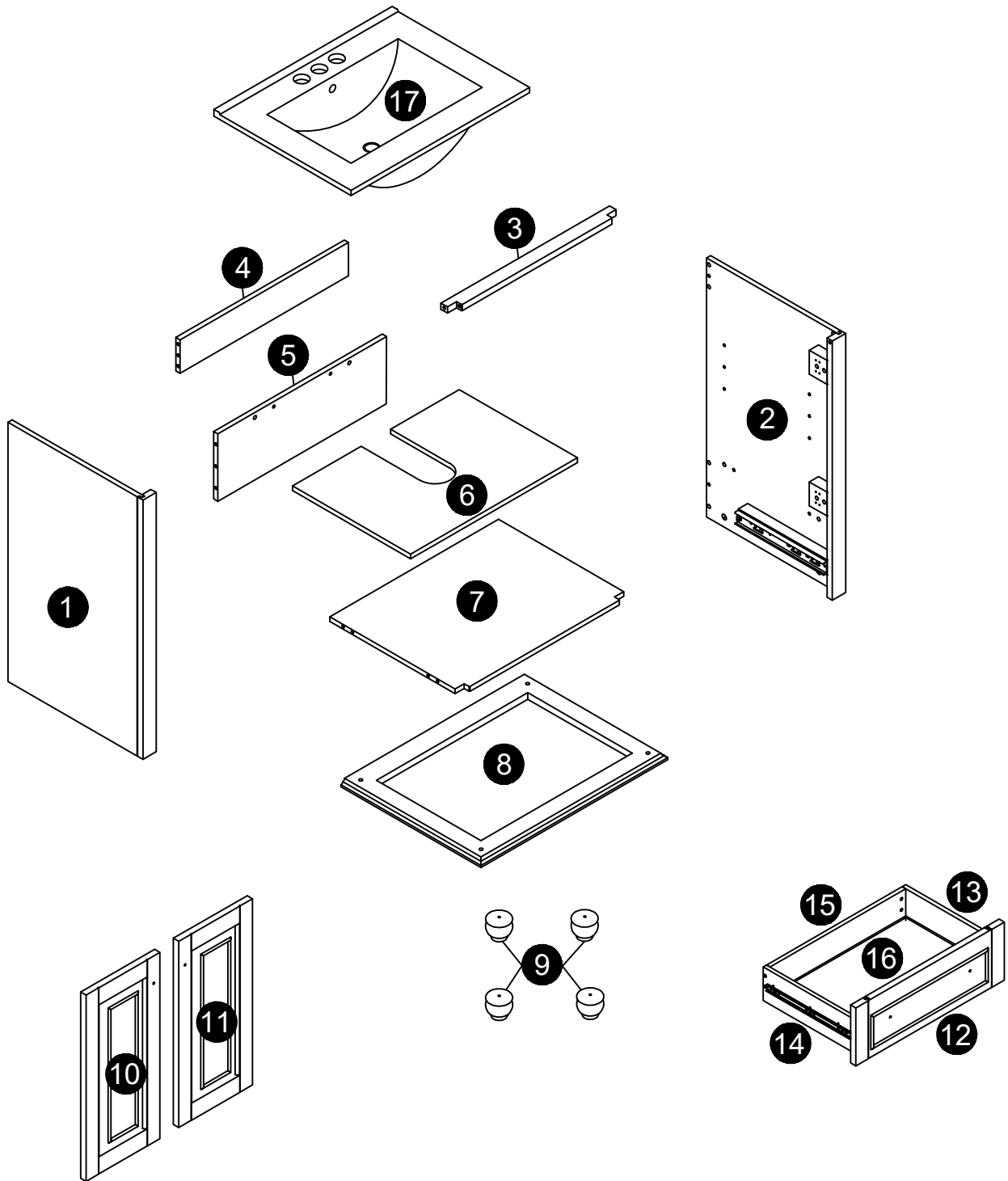
If an electric screwdriver is used, reduce power and torque to avoid damage to the product.



### Install the Anti-Tip Straps

Using the anti-tip straps can reduce the risk of tipping over, but can not eliminate it.



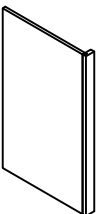
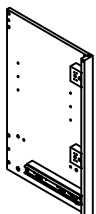
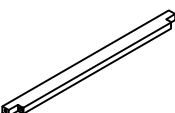
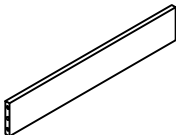
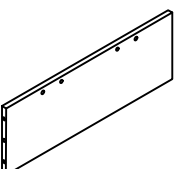
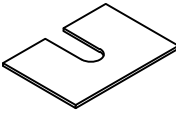
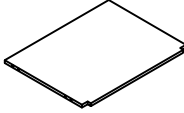
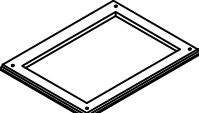
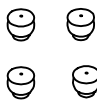


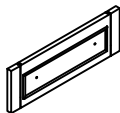
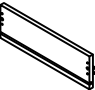
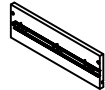
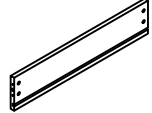
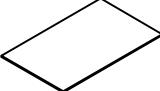
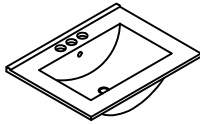


**⚠ Caution**

Make sure all parts are included. Most board parts are labeled or stamped on the raw edge. Contact us for a free replacement if you encounter any damaged or missing parts.

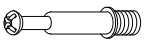

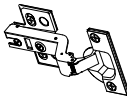
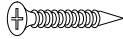

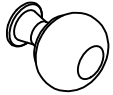


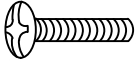



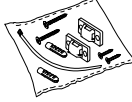

# Parts List

<b>1</b>  1 pc	<b>2</b>  1 pc	<b>3</b>  1 pc	<b>4</b>  1 pc	<b>5</b>  1 pc
<b>6</b>  1 pc	<b>7</b>  1 pc	<b>8</b>  1 pc	<b>9</b>  4 pcs	<b>10</b>  1 pc
<b>11</b>  1 pc	<b>12</b>  1 pc	<b>13</b>  1 pc	<b>14</b>  1 pc	<b>15</b>  1 pc
<b>16</b>  1 pc	<b>17</b>  1 pc			



## Hardware List

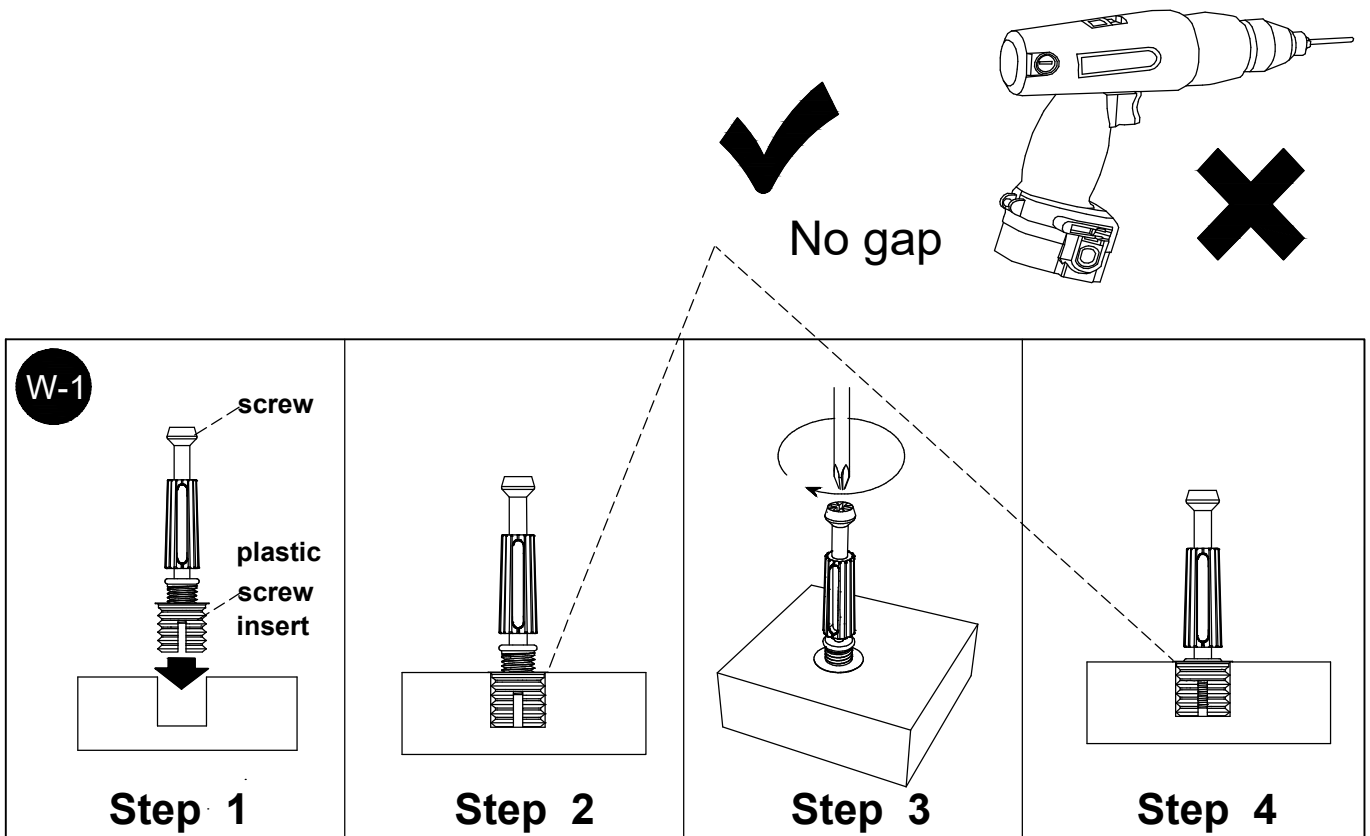
W-1	W-2	W-3	W-4	W-5	W-6
					
Ø6x35mm	Ø14.5x12mm		Ø7xØ3.5x12mm	Ø8x30mm	Ø23*20mm
22 pcs	22 pcs	4 pcs	24 pcs	18 pcs	4 pcs

W-7	W-8	W-9	W-10	W-11	W-12
					
Ø5/32"x25mm	Ø5/32"x28mm	Ø8xØ4x32mm	Ø6.2x31x19x16mm		Ø6x30mm
2 pcs	2 pcs	8 pcs	4 pcs	1 set	4 pcs

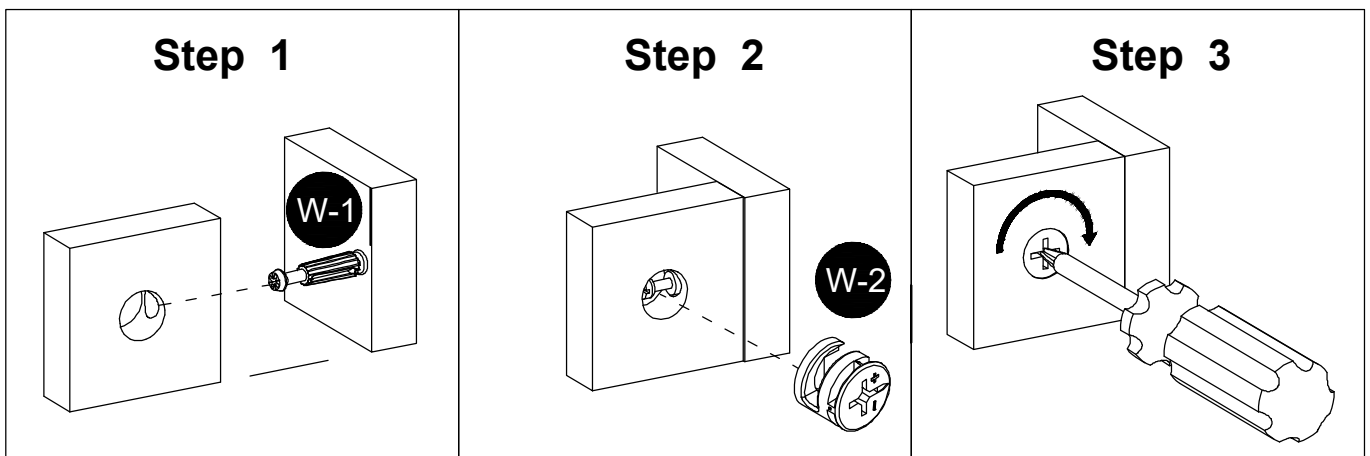


## Installation of Cams and Pins

Step 1-2: Align the plastic part with the mounting hole and press it in. If you can't press it in, loosen the screw counter clockwise or completely remove the screw from the plastic part and try again.  
Step 3-4: After pressing the plastic part into place, use a screwdriver to tighten the screw clockwise.




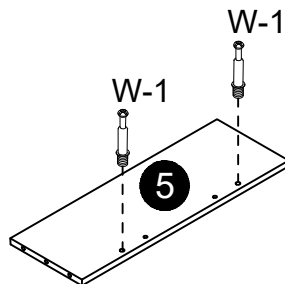
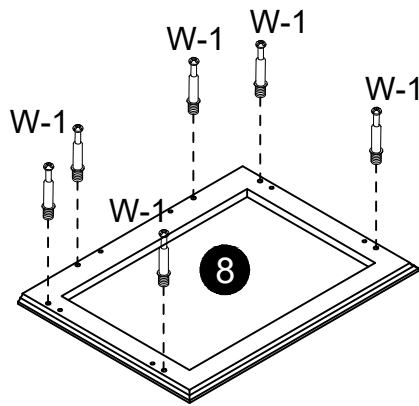
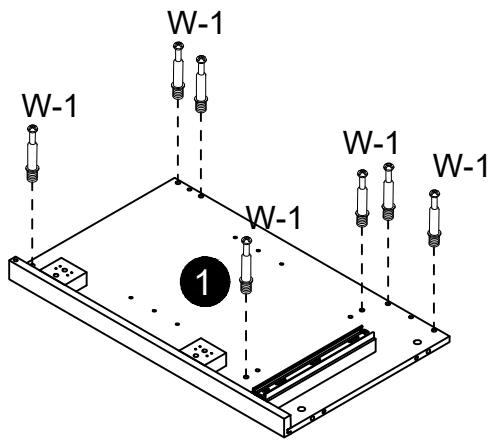
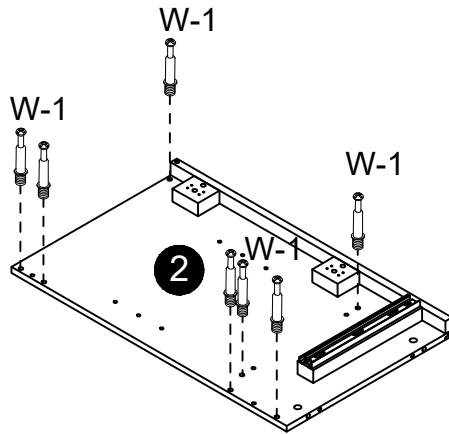
Screw the pin into the hole. Set the cams correctly by aligning the head of the cams with the lock pins. Lock the cam by turning the cam head with a screwdriver until it is tightened. Please do not use an electric screwdriver to assemble the unit.





1

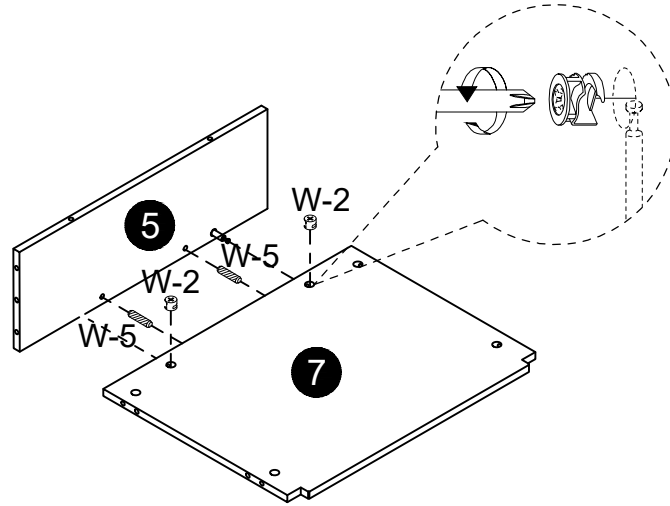
W-1

Ø6x35mm
22PCS





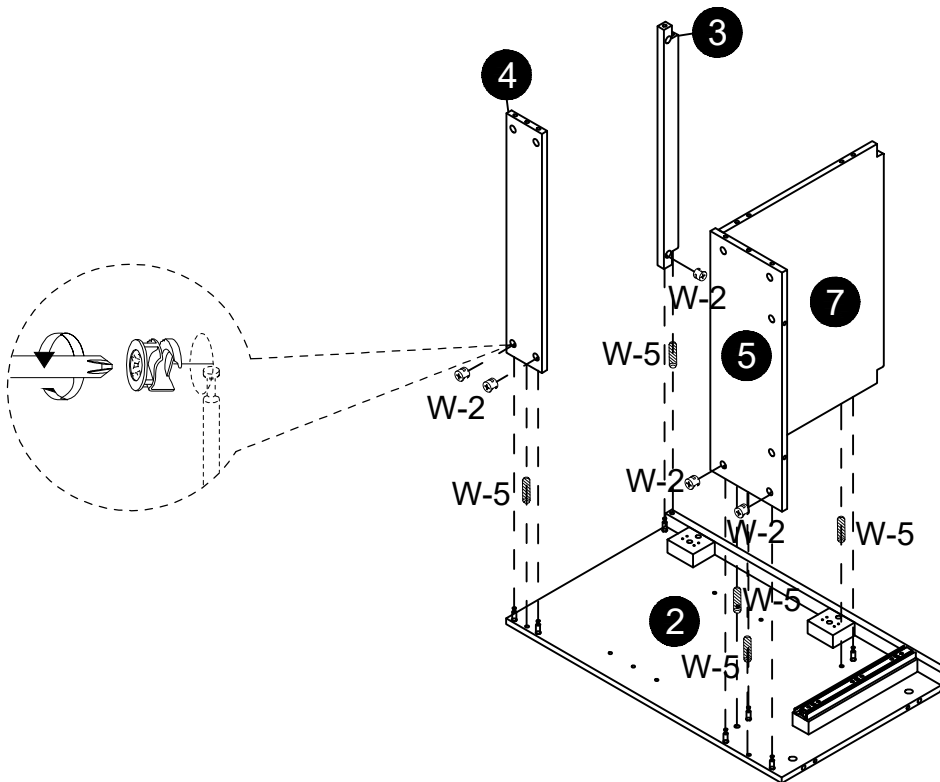
2

W-2	W-5
Ø14.5x12mm	Ø8x30mm
<b>2PCS</b>	<b>2PCS</b>



3

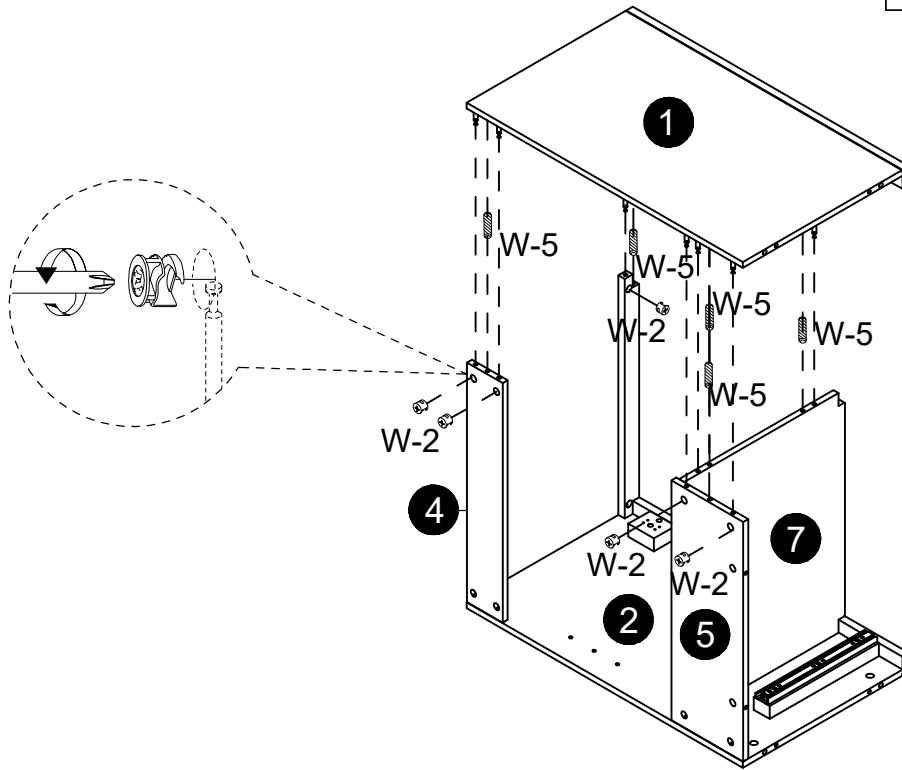
W-2	W-5
Ø14.5x12mm	Ø8x30mm
<b>5PCS</b>	<b>5PCS</b>





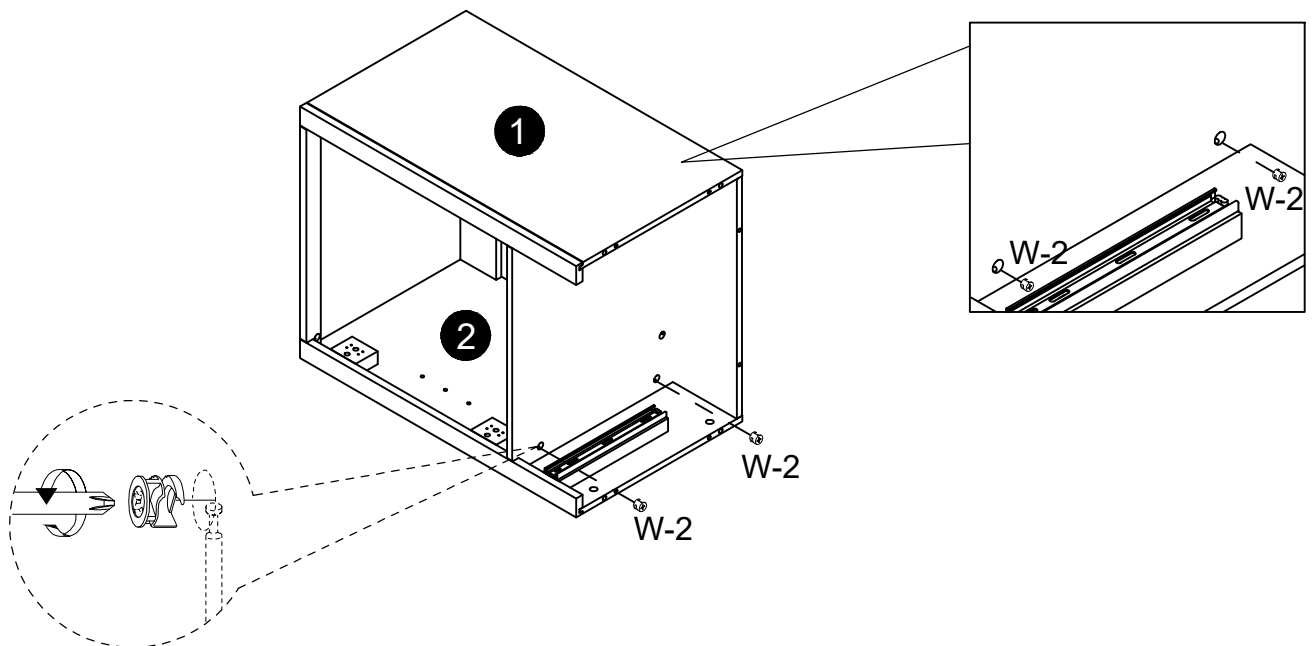
4

W-2	W-5
Ø14.5x12mm	Ø8x30mm
5PCS	5PCS



5

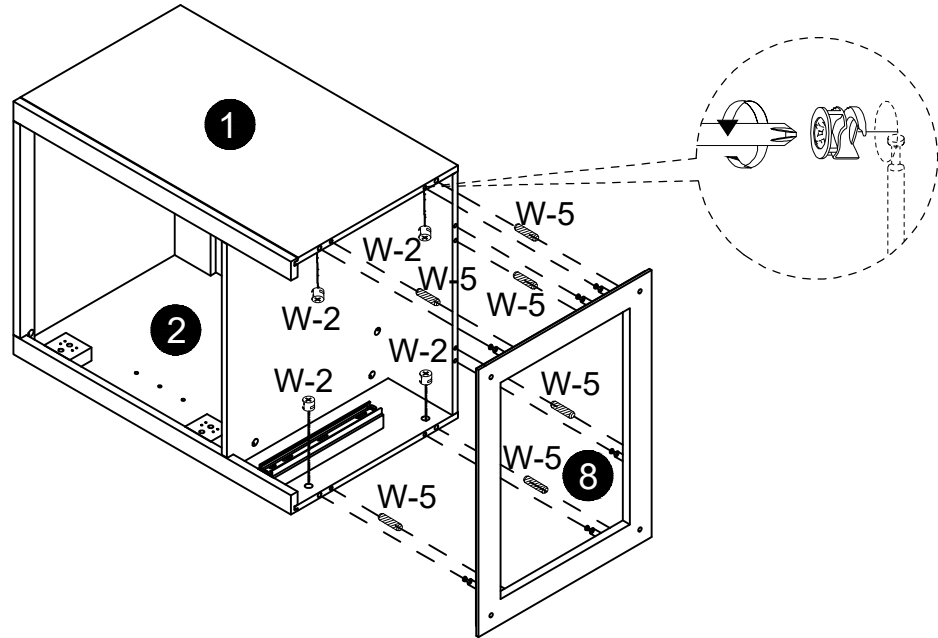
W-2
Ø14.5x12mm
4PCS





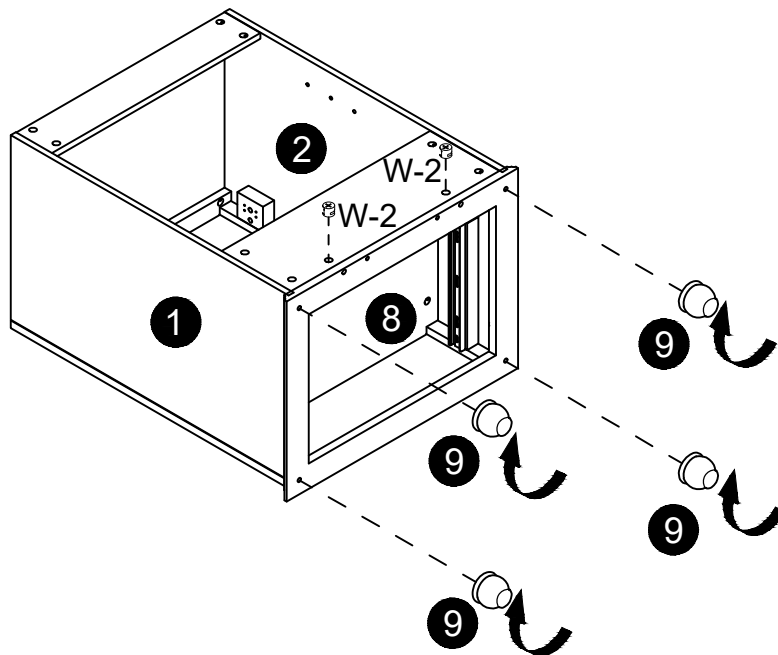
6

W-2	W-5
Ø14.5x12mm	Ø8x30mm
4PCS	6PCS



7

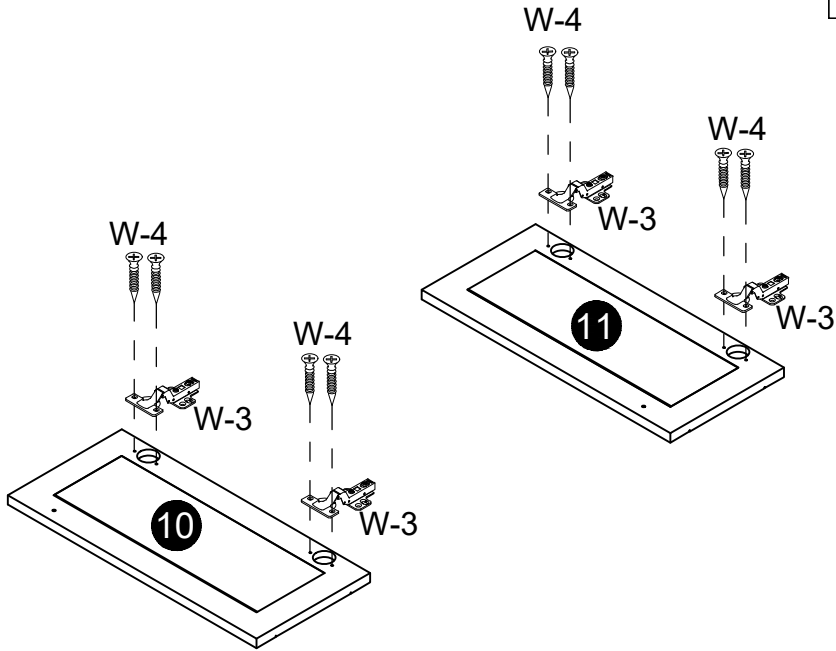
W-2
Ø14.5x12mm
2PCS





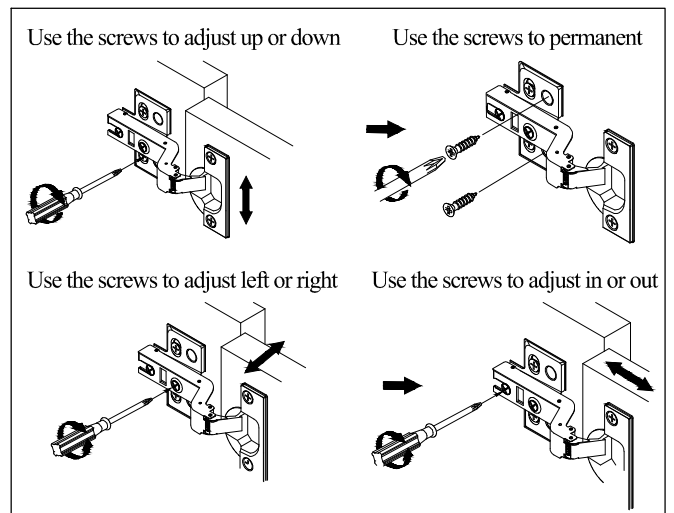
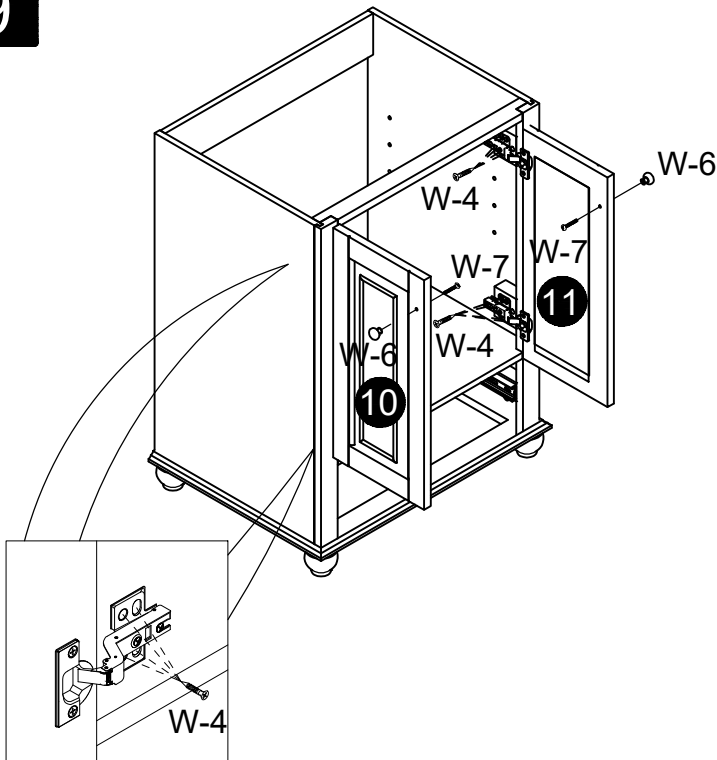
**8**

W-3	W-4
	 Ø7xØ3.5x12mm
<b>4PCS</b>	<b>4PCS</b>






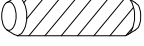
**9**

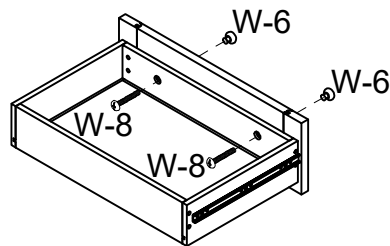
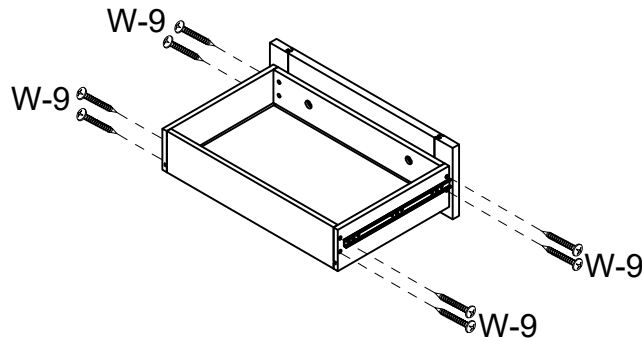
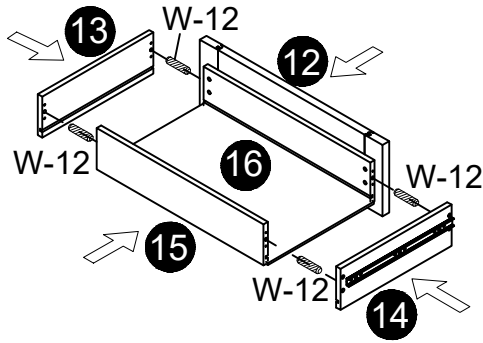
W-4	W-6	W-7
 Ø7xØ3.5x12mm	 Ø23*20mm	 Ø5/32"x25mm
<b>16PCS</b>	<b>2PCS</b>	<b>2PCS</b>





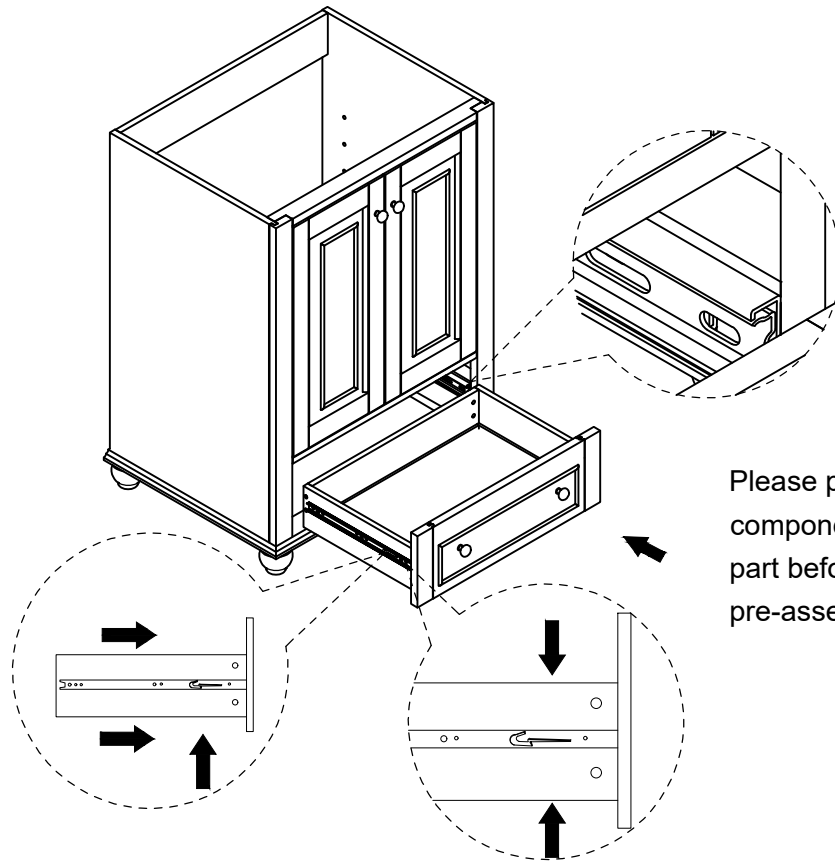
10

W-6	W-8	W-9	W-12
 Ø23*20mm	 Ø5/32"x28mm	 Ø8xØ4x32mm	 Ø6x30mm
2PCS	2PCS	8PCS	4PCS





**11**



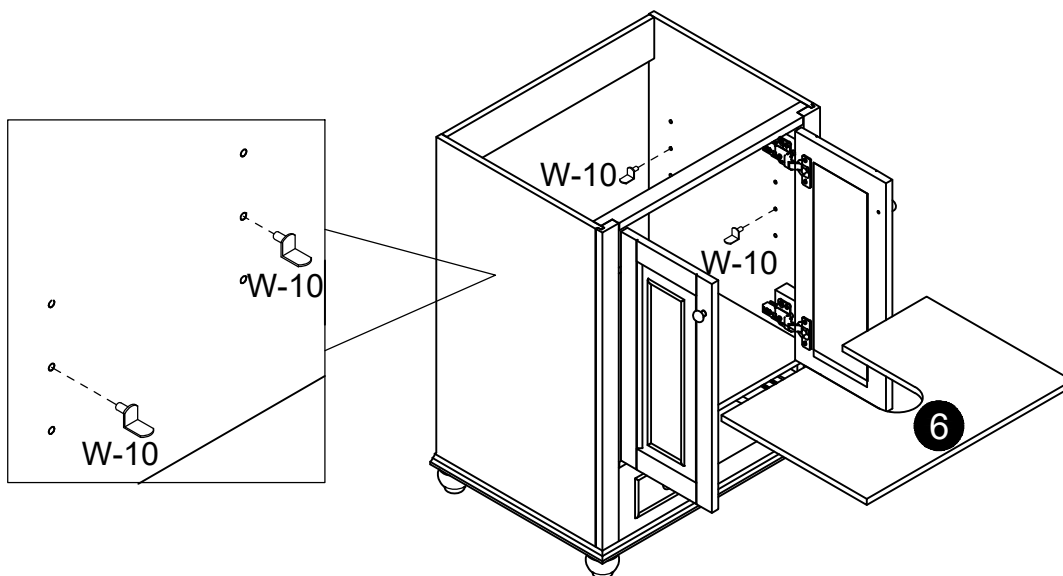
Please pull the movable silver component to the outermost part before inserting the pre-assembled drawer.

To pull out the drawer, find the hook-shaped latch, press down (on both sides of the drawer) and pull the drawer out.

If the drawer doesn't fit perfectly, loosen the slide screws, adjust the slide's position slightly, then tighten it again.

**12**

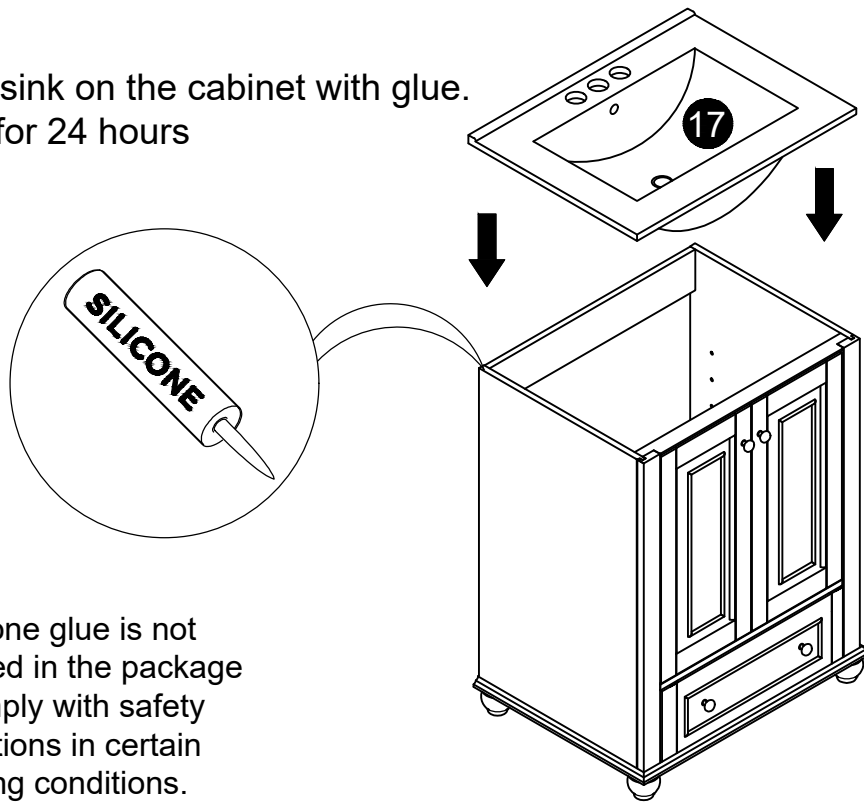
W-10
Ø6.2x31x19x16mm
<b>4PCS</b>





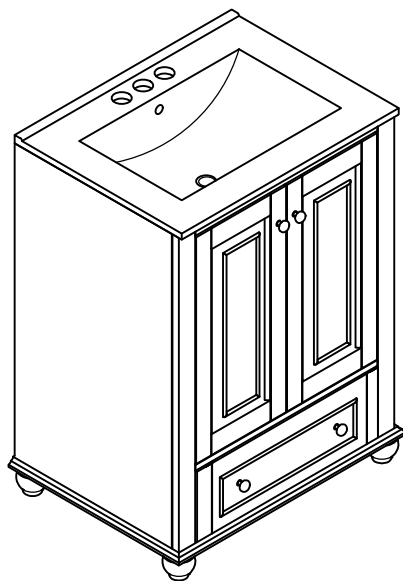
13

Install the sink on the cabinet with glue.  
Let stand for 24 hours



\*Silicone glue is not included in the package to comply with safety regulations in certain shipping conditions.

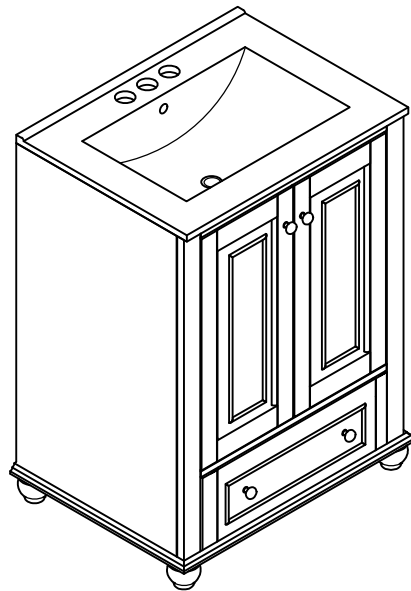
14





DESIGNED FOR LIFE

**Thank you for your support!**



### Contact our customer service team



support@tribesigns.com  
www.tribesigns.com



1-424-220-6888  
7 AM to 8 PM EST,  
Monday to Friday

### Follow Tribesigns



Facebook



Instagram



Pinterest



Twitter



YouTube



TikTok



WhatsApp