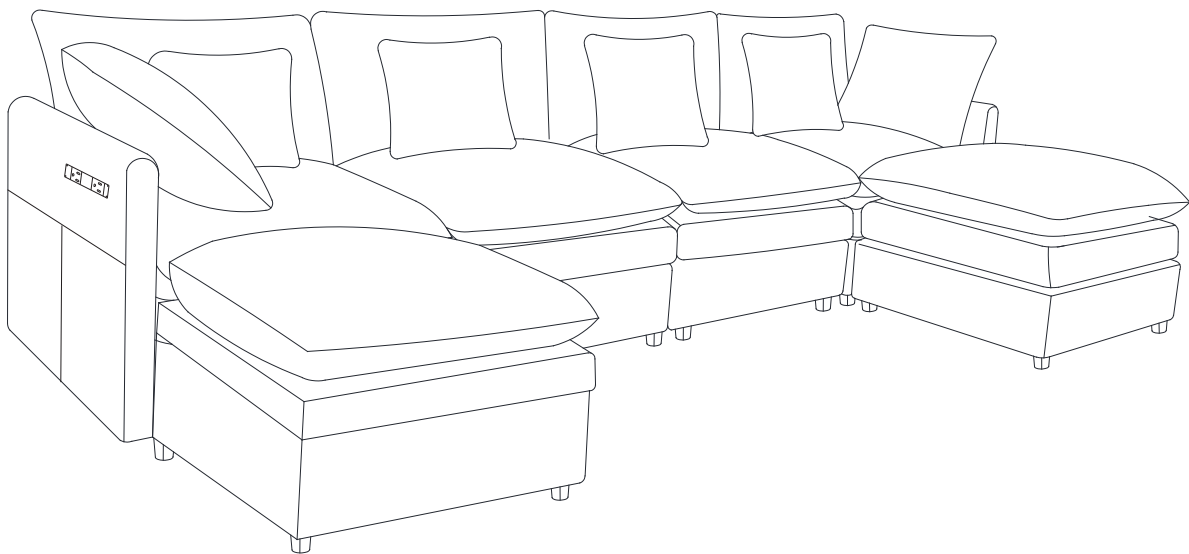
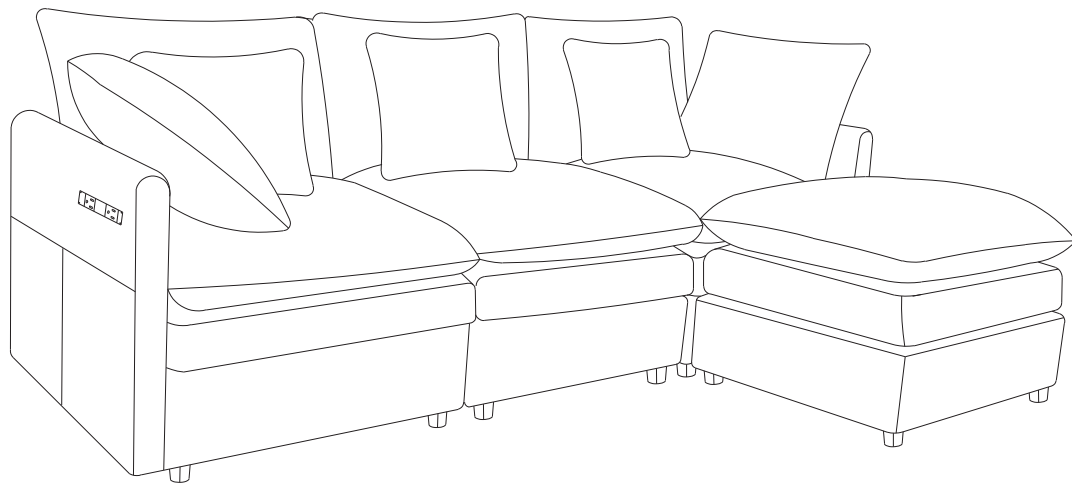
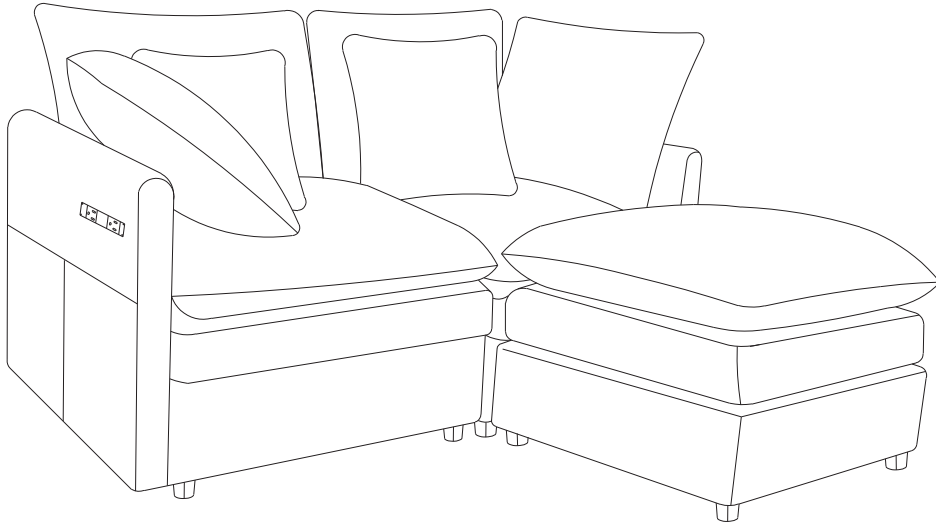
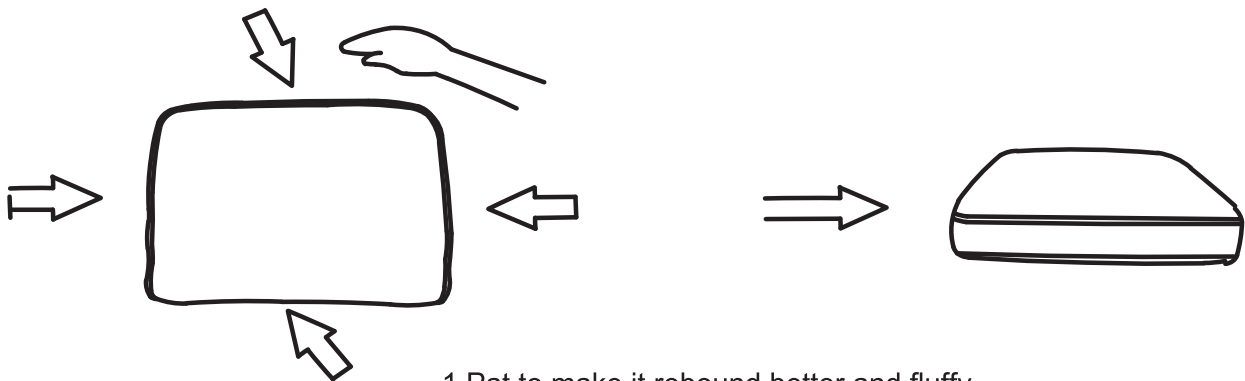


ASSEMBLY INSTRUCTIONS

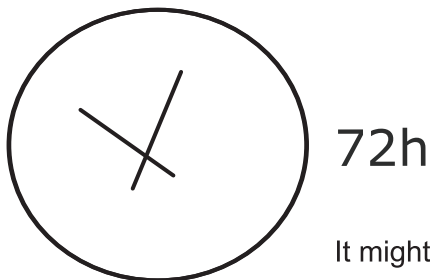


TIPS:

1. The sectional sofa comes in 2 separate boxes, might be delivered at different times. Please wait several days patiently.
2. Due to differences of light effects, the actual color of the materials might be slightly different from the pictures.
3. No Assembly Required. This sofa can free of your stereotyped nightmare of furniture assembly.
4. Due to package compression for better shipment, the fabric may have wrinkles.
5. Please take all packages out and pat every part to make it rebound better and fluffy.
6. Please keep children away from the plastic bags.



1. Pat to make it rebound better and fluffy.
2. Knead your cushion like giving your cushion a massage while allowing the air to flow through the foam.



It might takes up to 72 hours.

WARNING:



Correct Way to Use ✓



Incorrect Way to Use ✗

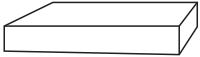
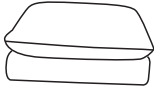
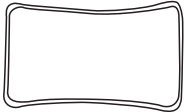
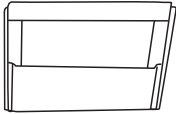
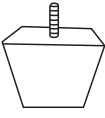
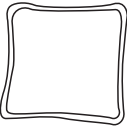
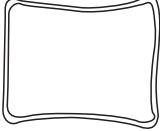
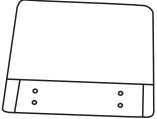
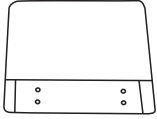



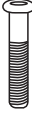




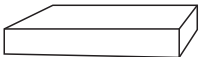
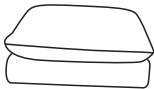
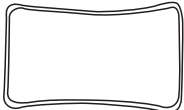

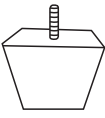
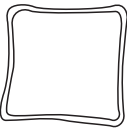
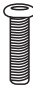





Incorrect Way to Use ✗

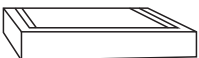

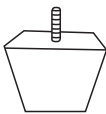
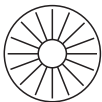


Incorrect Way to Use ✗

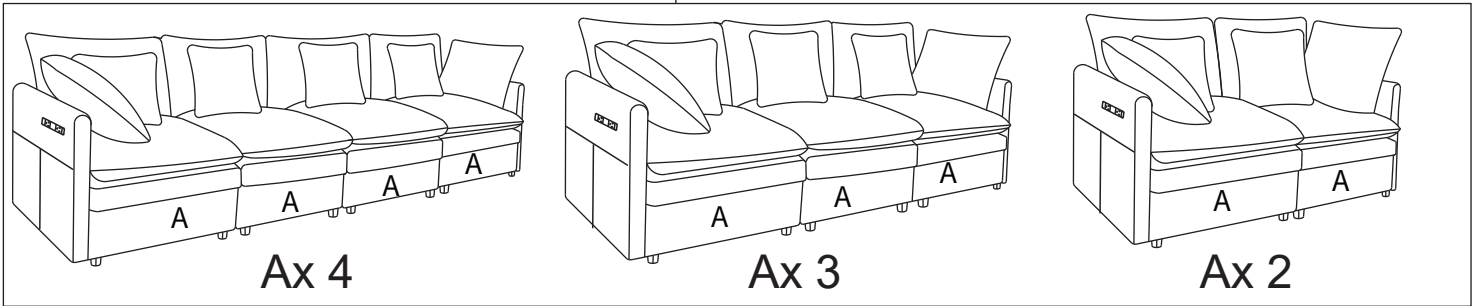
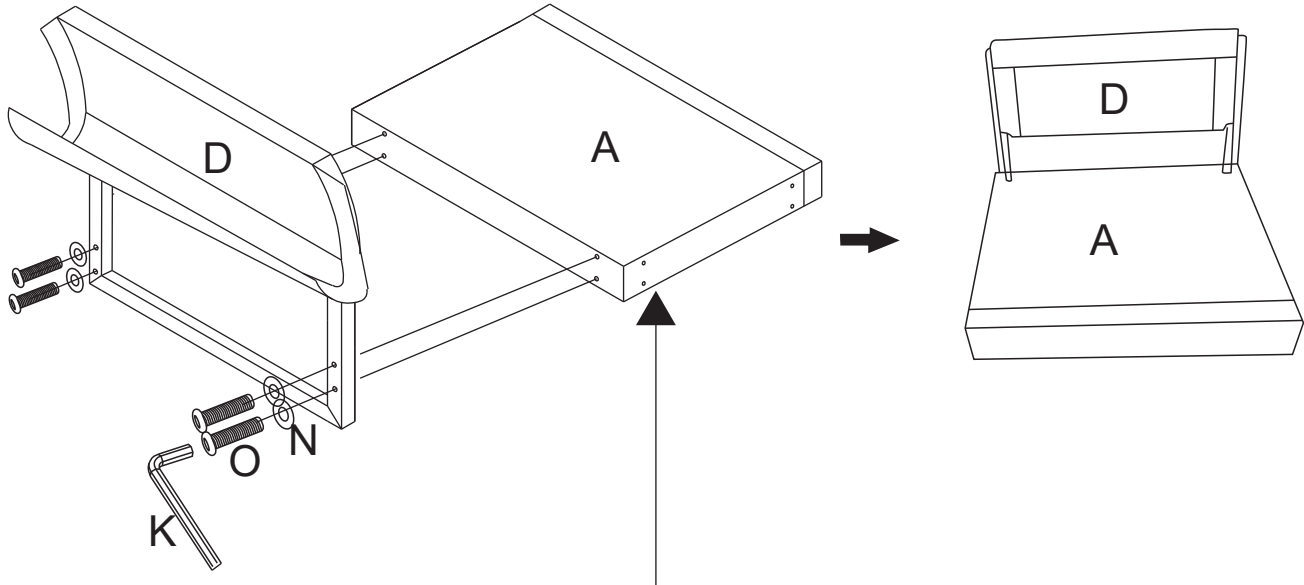
PART LIST:

<p>A Seat frame</p>  <p>2PCS</p>	<p>B Seat cushion</p>  <p>2PCS</p>	<p>C Back Cushion</p>  <p>2PCS</p>	<p>D Backrest</p>  <p>2PCS</p>	<p>E Leg</p>  <p>8 PCS</p>
<p>F Pillow</p>  <p>2PCS</p>	<p>G Arm Pillow</p>  <p>2PCS</p>	<p>H Left armrest</p>  <p>1PC</p>	<p>I Right armrest</p>  <p>1PC</p>	<p>O M8x60mm Bolt</p>  <p>16PCS</p>
<p>N Washer</p>  <p>24PCS</p>	<p>R Gasket</p>  <p>8PCS</p>	<p>L M8x85mm Bolt</p>  <p>4PCS</p>	<p>P</p>  <p>4PCS</p>	<p>K Alley Key</p>  <p>1PC</p>

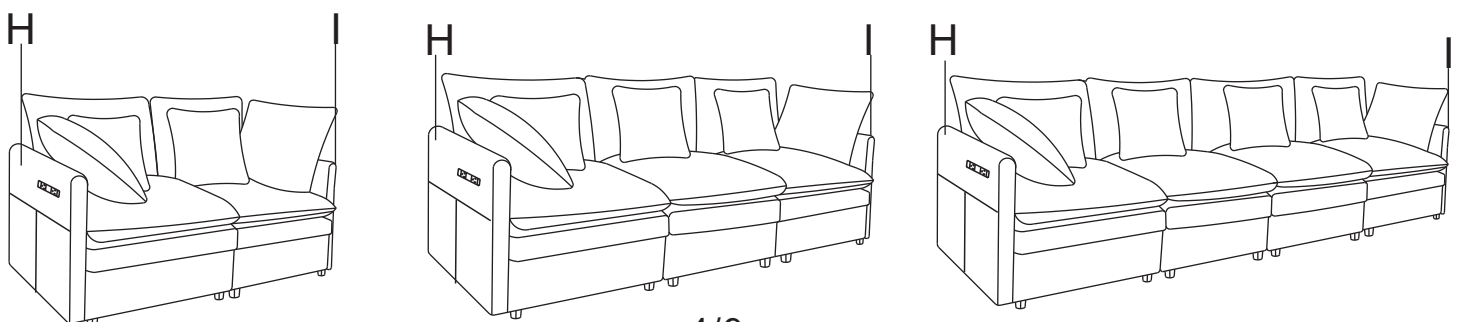
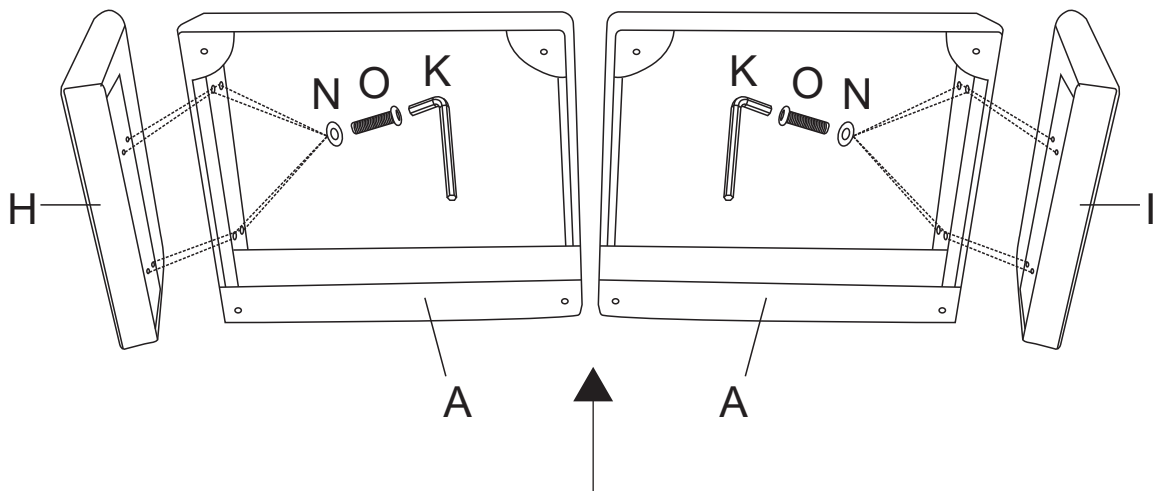
<p>A Seat frame</p>  <p>1PC</p>	<p>B Seat cushion</p>  <p>1PC</p>	<p>C Back Cushion</p>  <p>1PC</p>	<p>D Backrest</p>  <p>1PC</p>	<p>E Leg</p>  <p>4 PCS</p>
<p>F Pillow</p>  <p>1PCS</p>	<p>O M8x60mm Bolt</p>  <p>4PCS</p>	<p>N Washer</p>  <p>12 PCS</p>	<p>R Gasket</p>  <p>4PCS</p>	<p>K Alley Key</p>  <p>1PC</p>
<p>L M8x85mm Bolt</p>  <p>4PCS</p>	<p>P</p>  <p>4PCS</p>			

<p>M Ottoman frame</p>  <p>1PC</p>	<p>S Ottoman cushion</p>  <p>1PC</p>	<p>E Leg</p>  <p>4 PCS</p>	<p>R Gasket</p>  <p>4PCS</p>
--	--	--	--

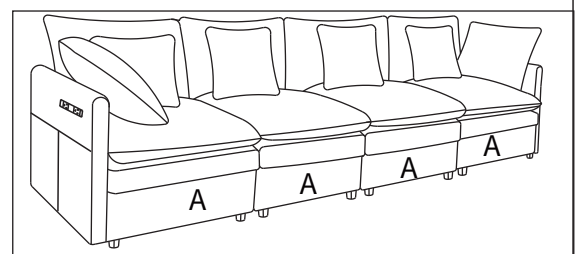
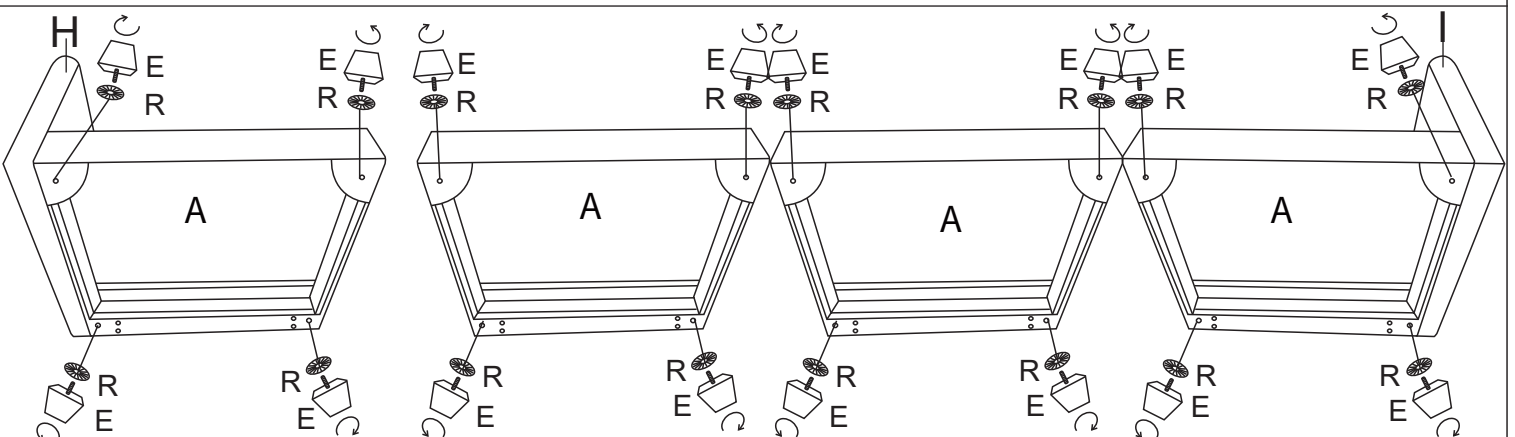
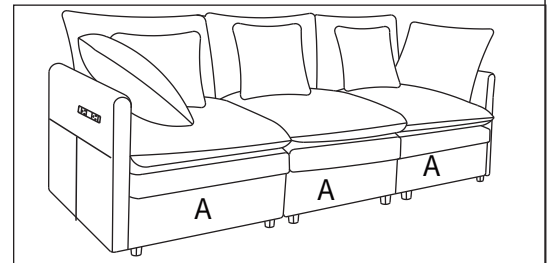
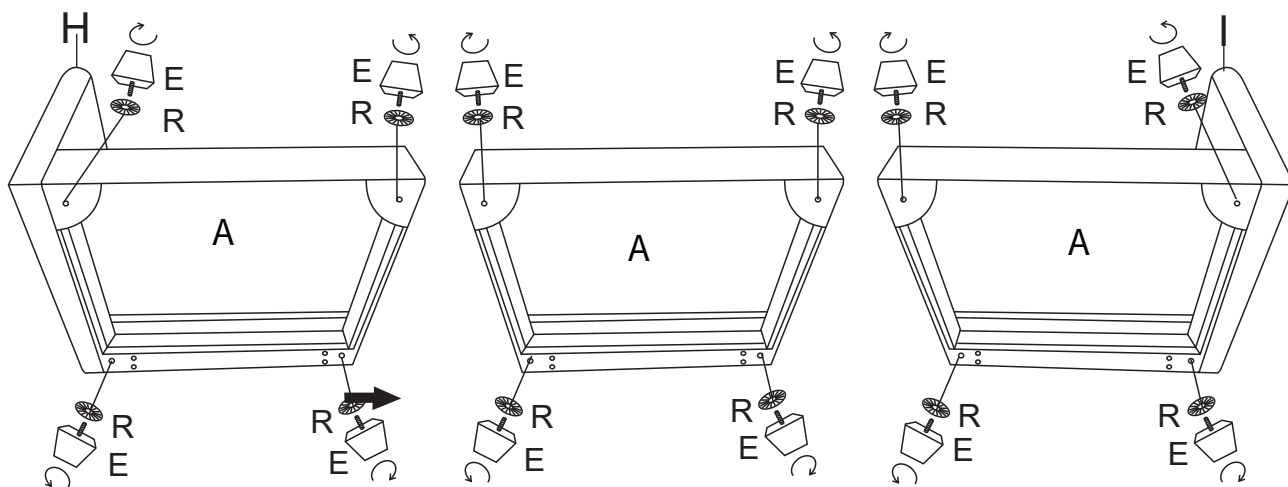
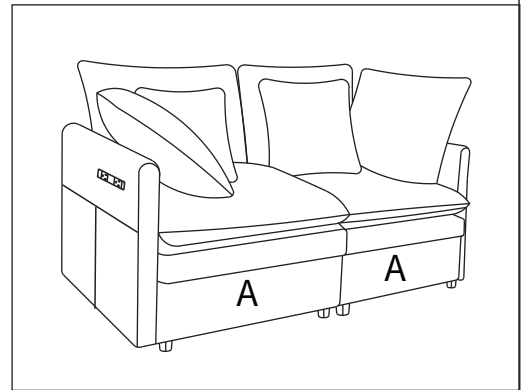
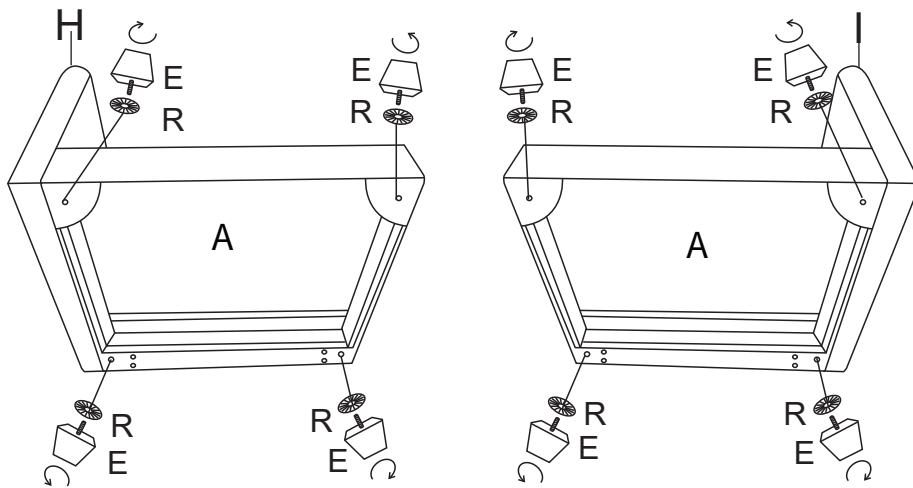
STEP 1: Insert the Backrest (D) into the designated holes, use Washers(N) and Bolts (O) to 70% tightness, and then tighten the all Bolts on the seat.



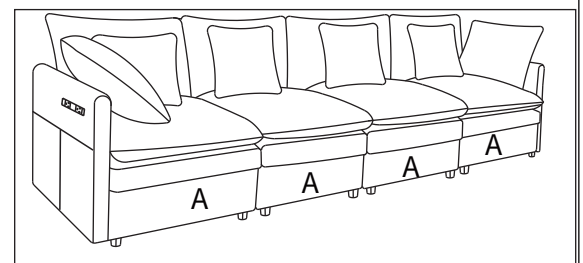
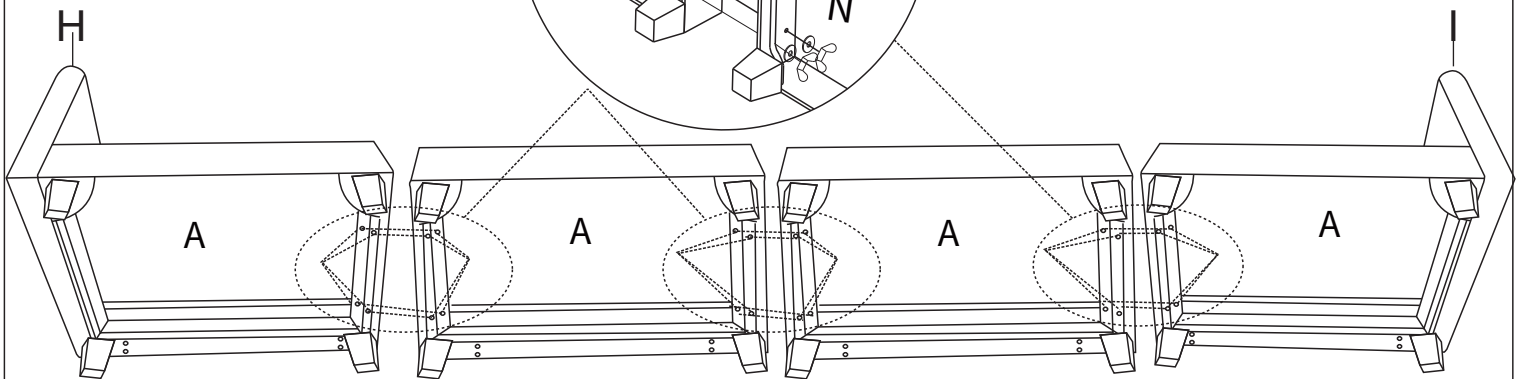
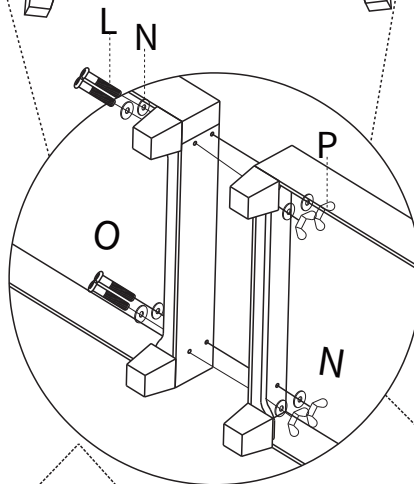
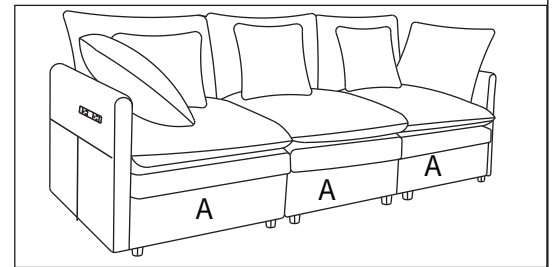
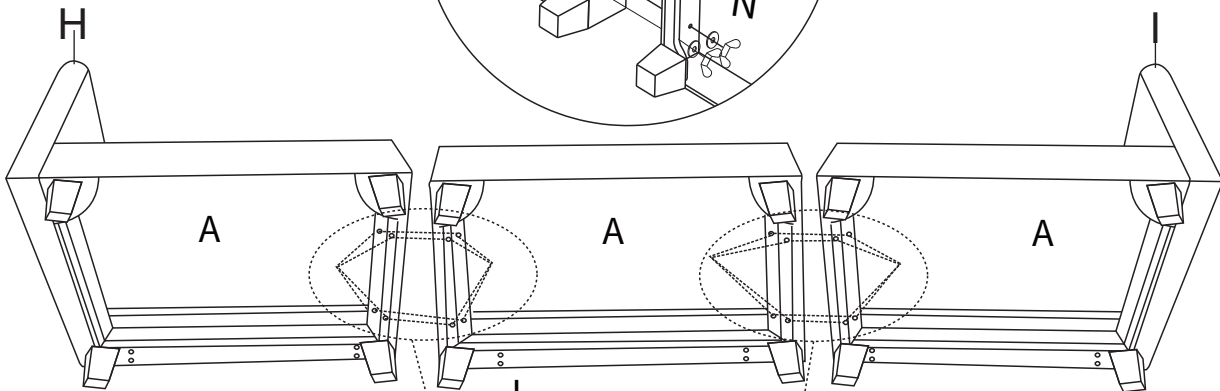
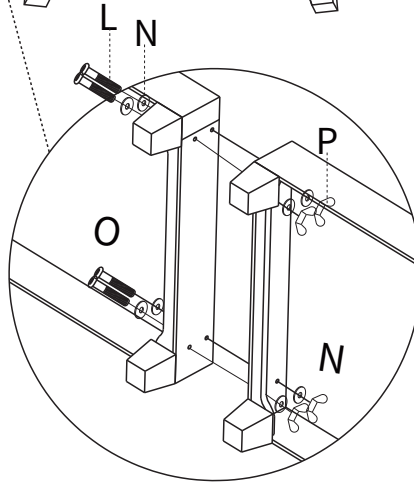
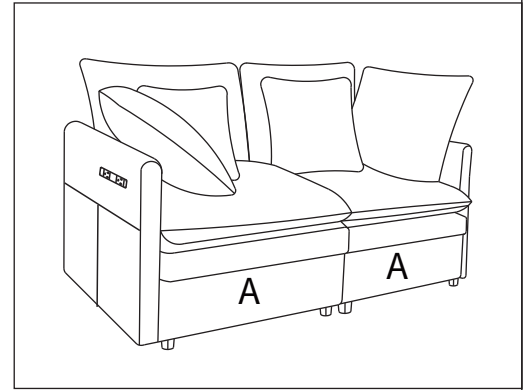
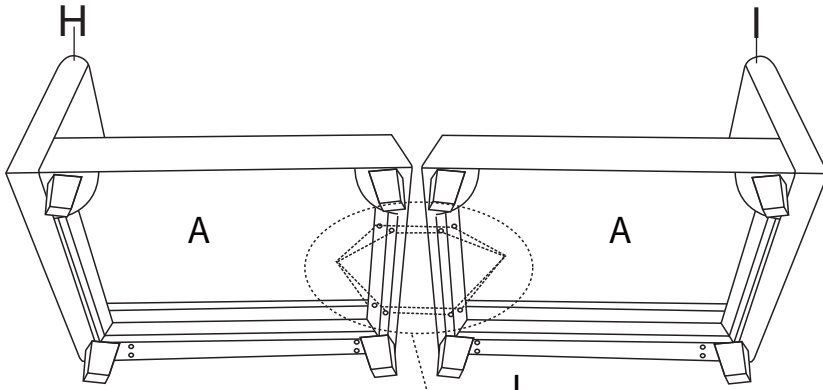
STEP 2: Assemble the Left armrest (H) and the Right armrest (I) to the Seat frame (A) with Washers (N) and Bolts (O)



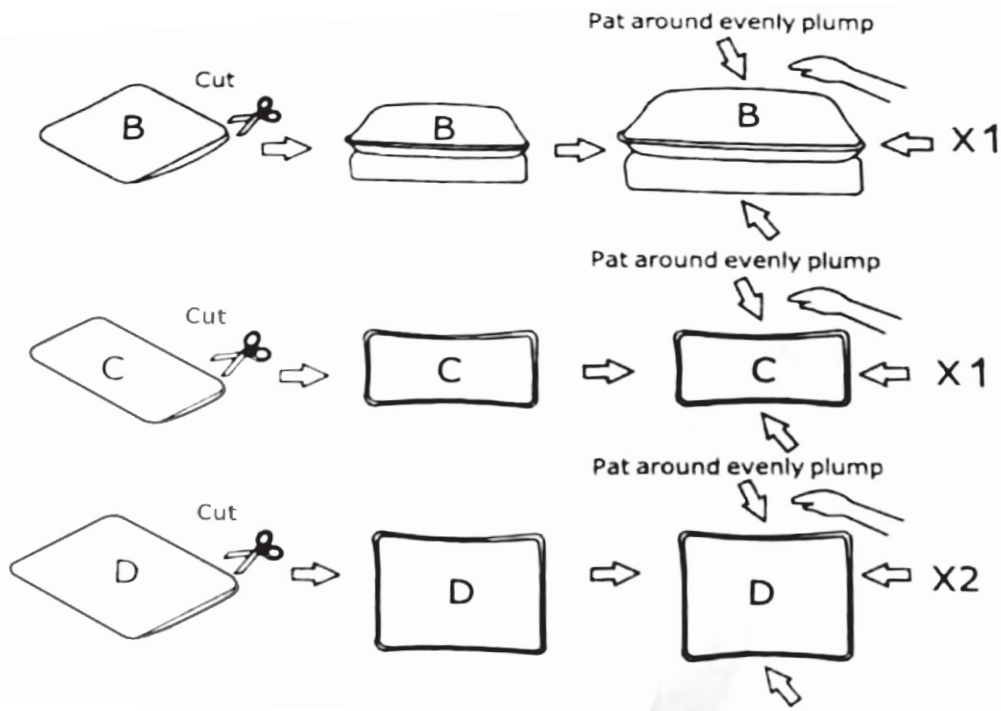
STEP 3: Assemble the Legs(E) on the sofa with Gaskets (R)



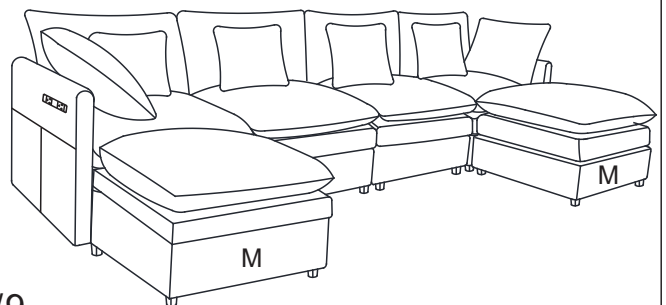
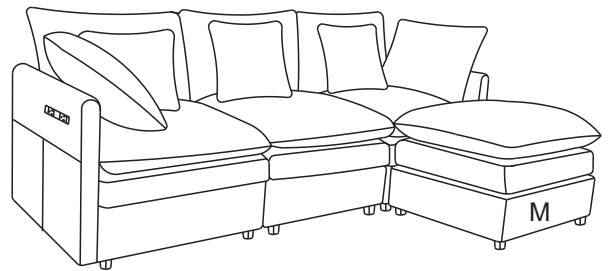
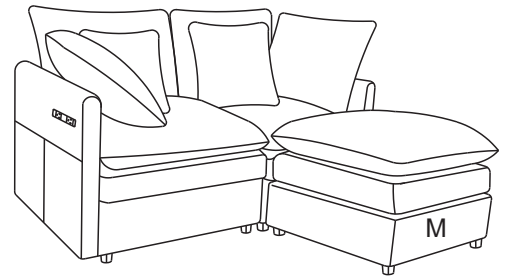
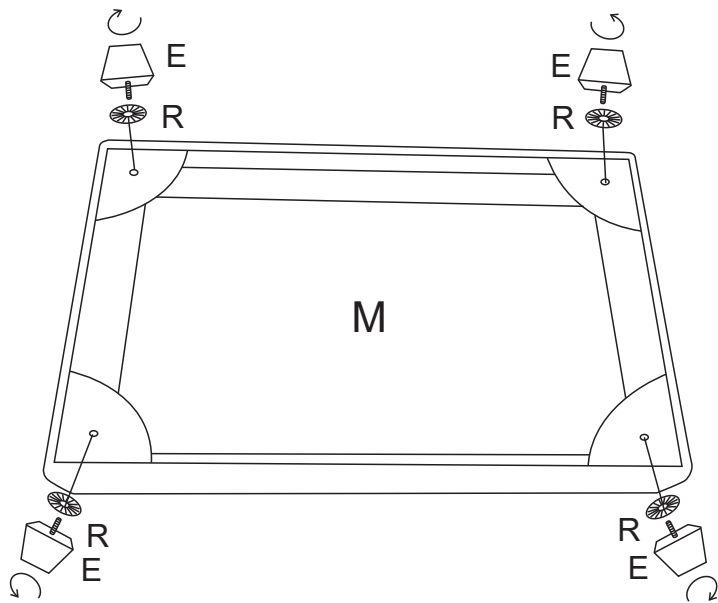
STEP 4: Connect 3 sofa seats with screw (L) and nut (P)



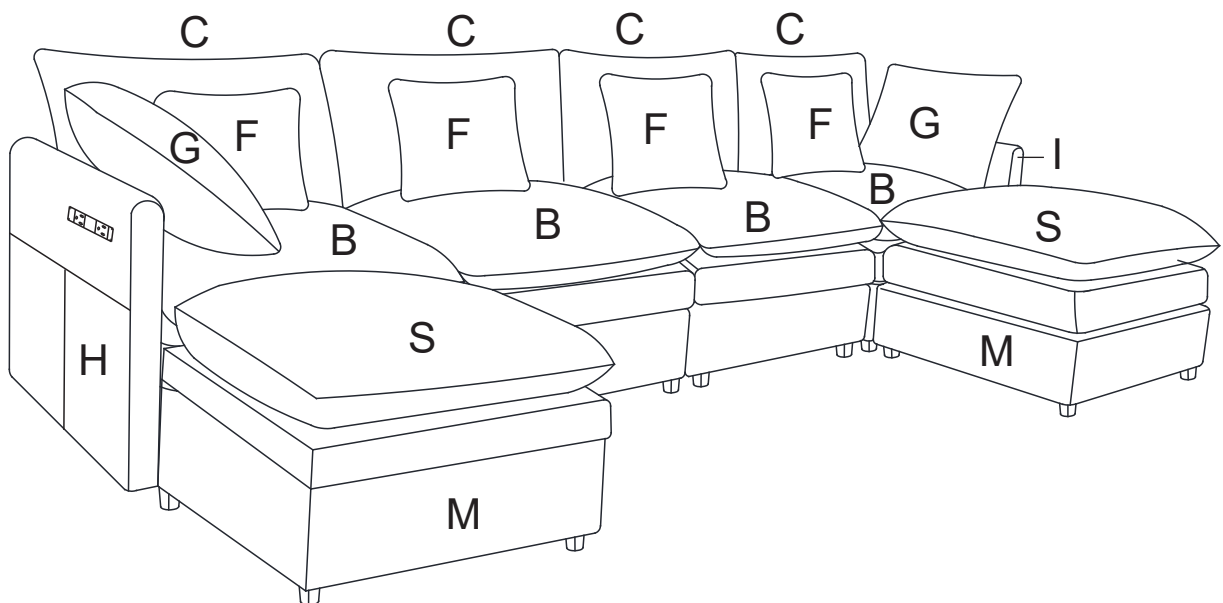
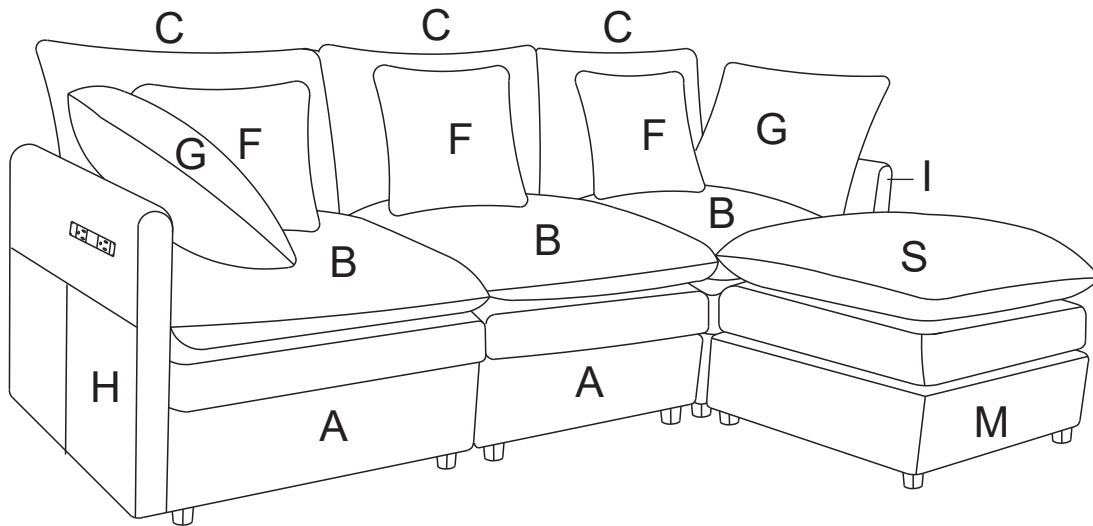
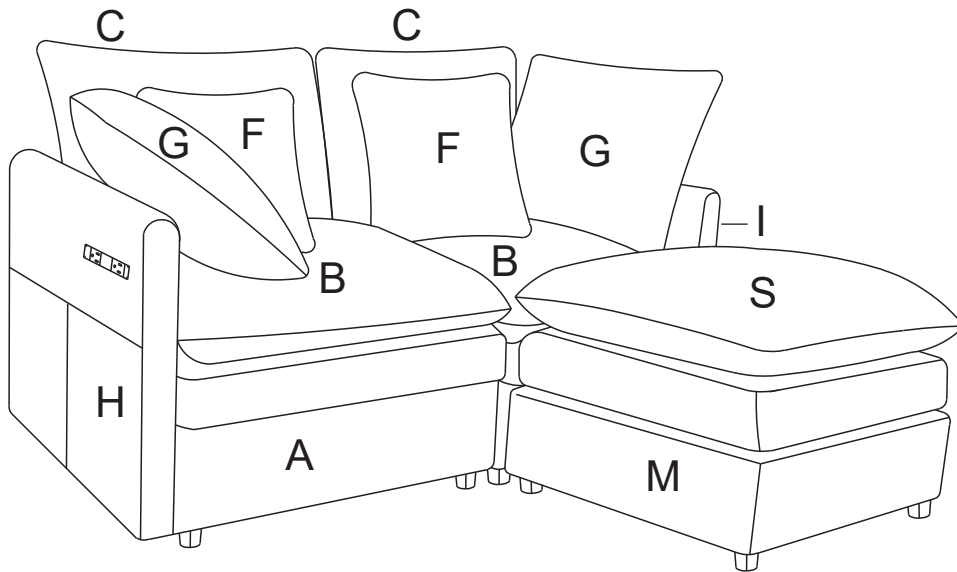
STEP 5: The cushion is packaged by vacuum compression. Slowly rebound within 10 days after cutting, and if the fabric has wrinkles, they will gradually disappear Pat around evenly plump



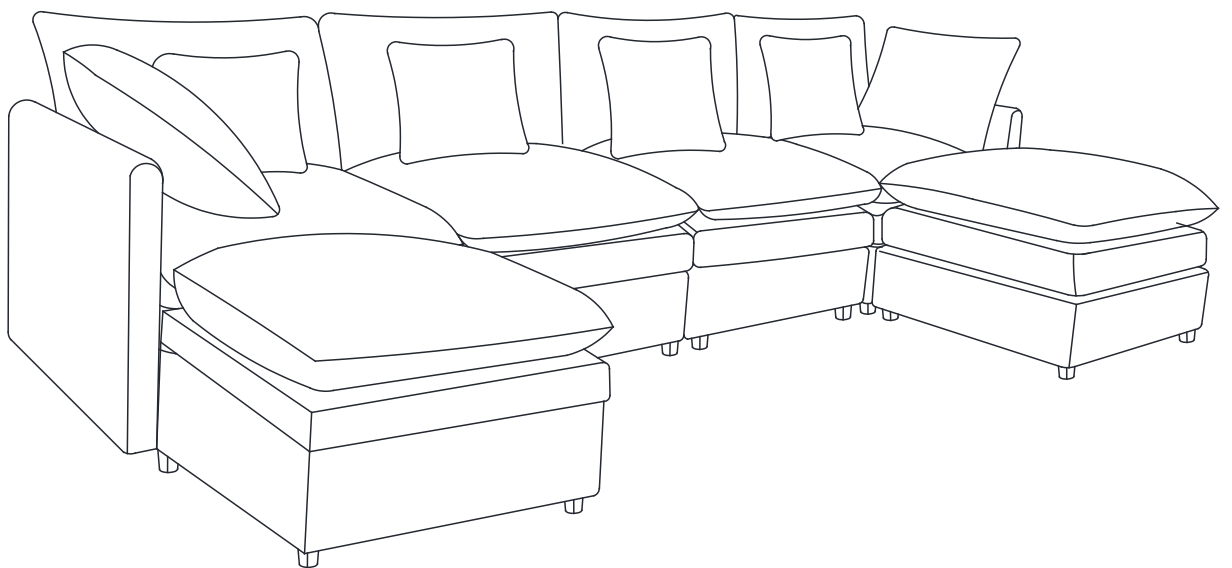
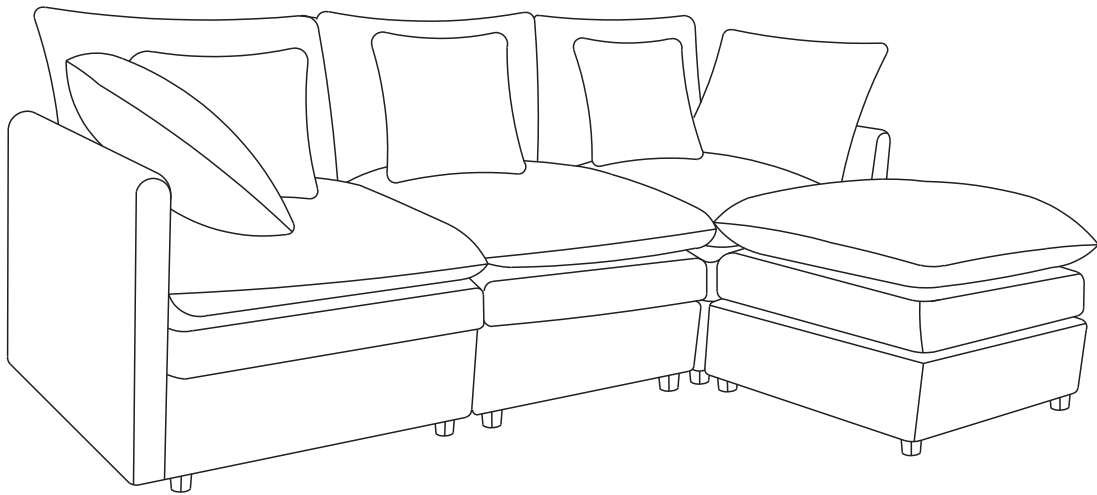
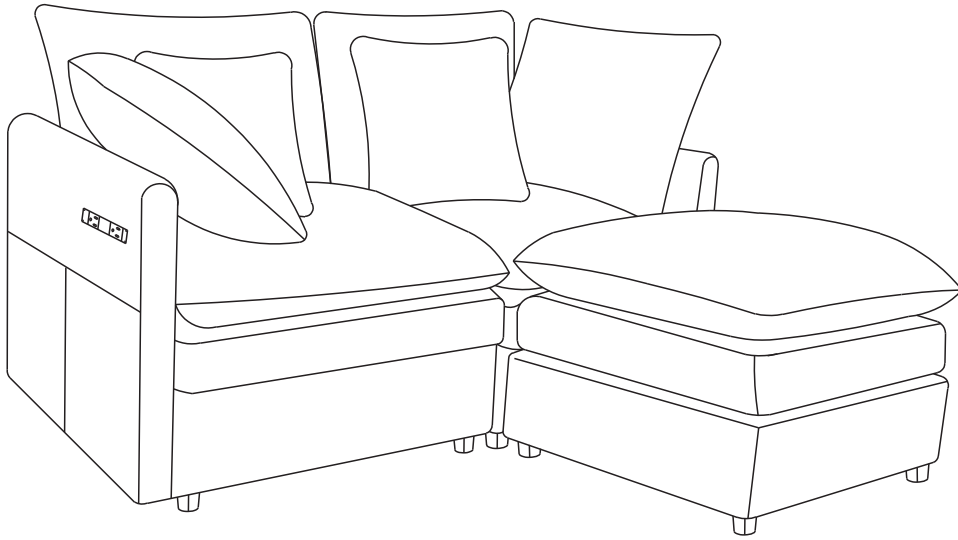
STEP 6: Assemble the Legs (E) on the ottoman frame with Gaskets(R).



STEP 7: Place Seat cushion (B) and back cushion (C), and pillow on sofa and make sure it's will fitted.



STEP 8: If the fabric has wrinkles, it will basically diappear after standing for 10 days. Well done!!You can enjoy your leisure time on the sofa now.



Thank you for purchasing our product.

**If you have any problems during installation and use,
please feel free to contact our Customer service email.**

We will provide you with a three-year free warranty service.