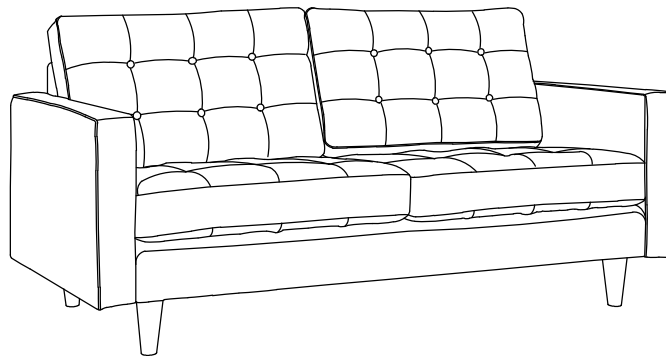


LOVESEAT

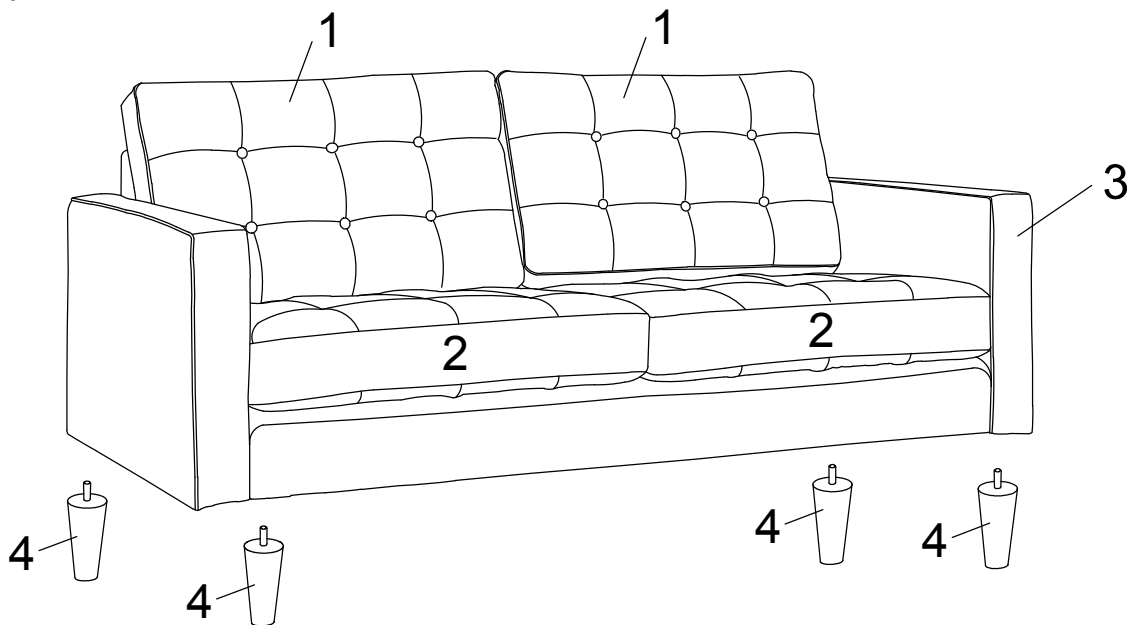
Thank you for purchasing the **LOVESEAT** !

Before you start, here is some helpful advice:

1. We suggest you spend a short time reading through this leaflet and then follow the simple step by step instructions.
 2. Owing to the size and weight of the loveseat, we recommend that it is assembled by two adults, on a carpeted or padded area, in the room that it is intended for. Approximate assembly time: 15 minutes.
 3. Please do not use any tools other than those provided or recommended in these instructions.
 4. Please do not throw away any of the packaging or instructions until you have checked all the components and hardware and the furniture is fully assembled.
 5. Assemble all components loosely until advised to tighten. Depending on use, it may be necessary to tighten the components from time to time, so please save the tools that have been provided.
 6. Please keep all pieces out of reach of small children.
-



Component:



1 Back Cushion x2

2 Seat Cushion x2

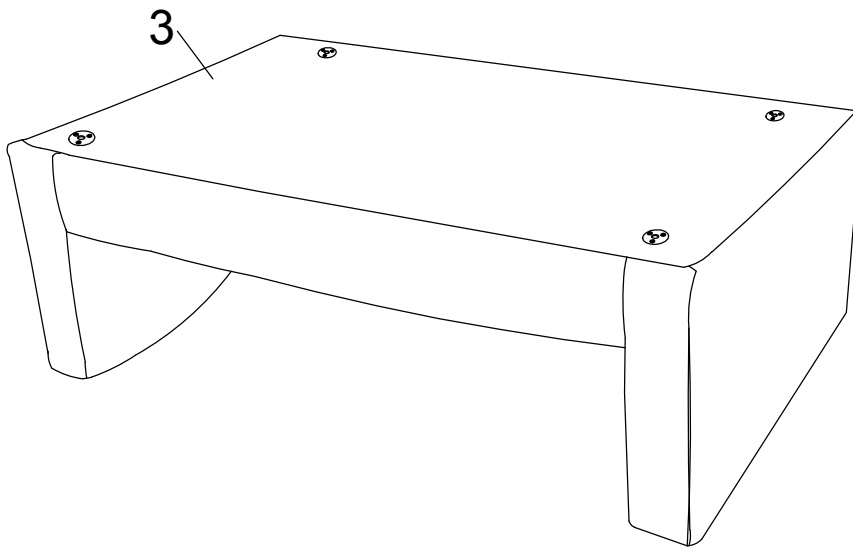
3 Loveseat Body x1

4 Loveseat Leg x4

LOVESEAT

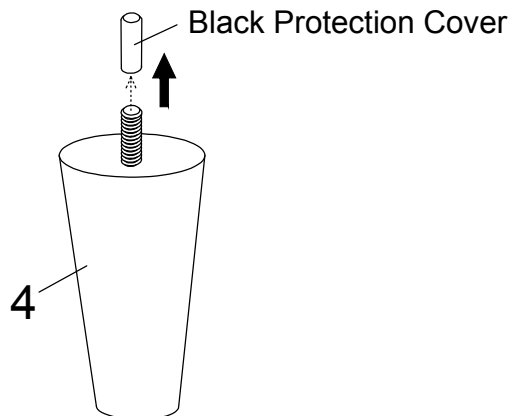
Step 1:

Please find the 4x Loveseat Leg(4) pieces in the package on top of the seat. Please put the Loveseat Body(3) without Back Cushion(1) and Seat Cushion(2) upside down on a carpeted or padded area by two adults to make fully visible the round metal plate on each corner.



Step 2:

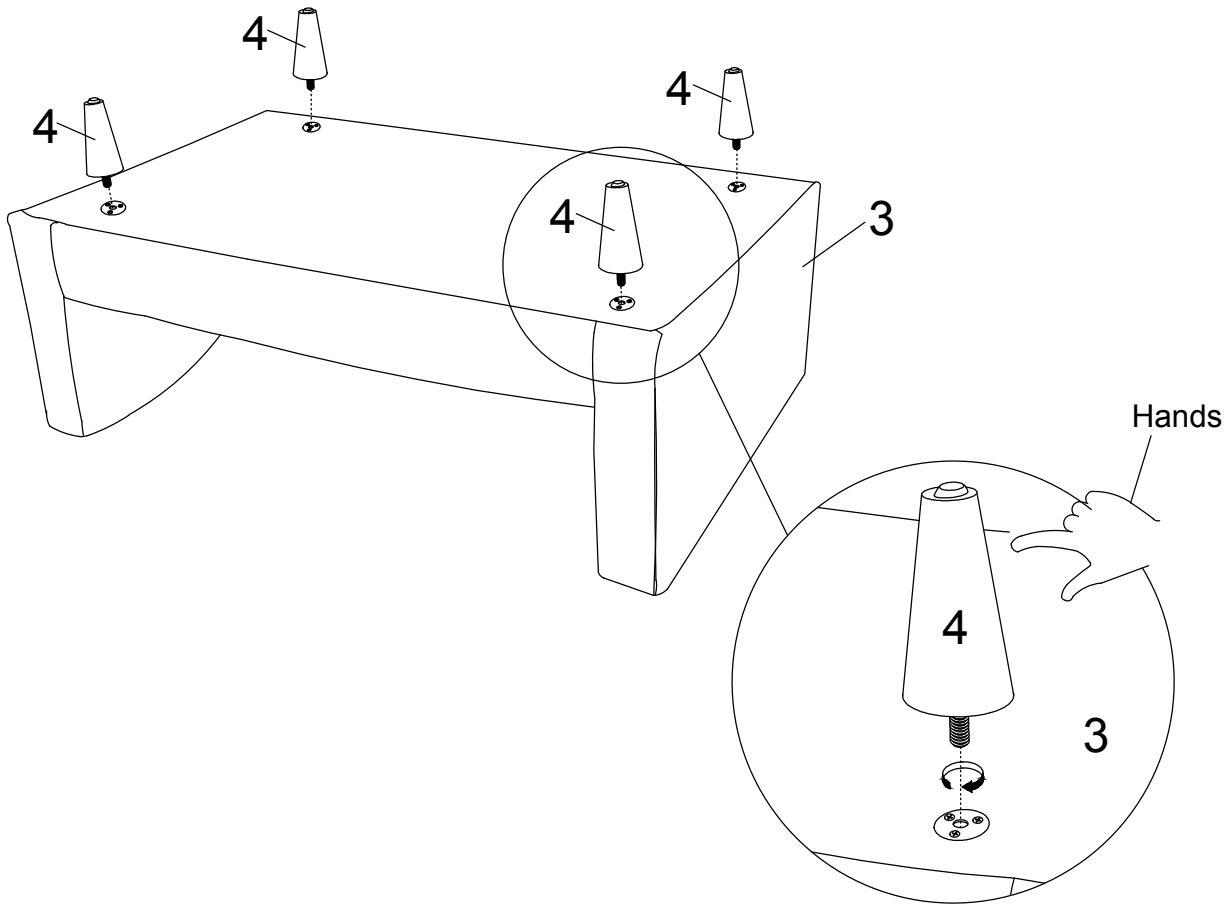
Please take off the Black Protection Cover on the Loveseat Leg(4).



LOVESEAT

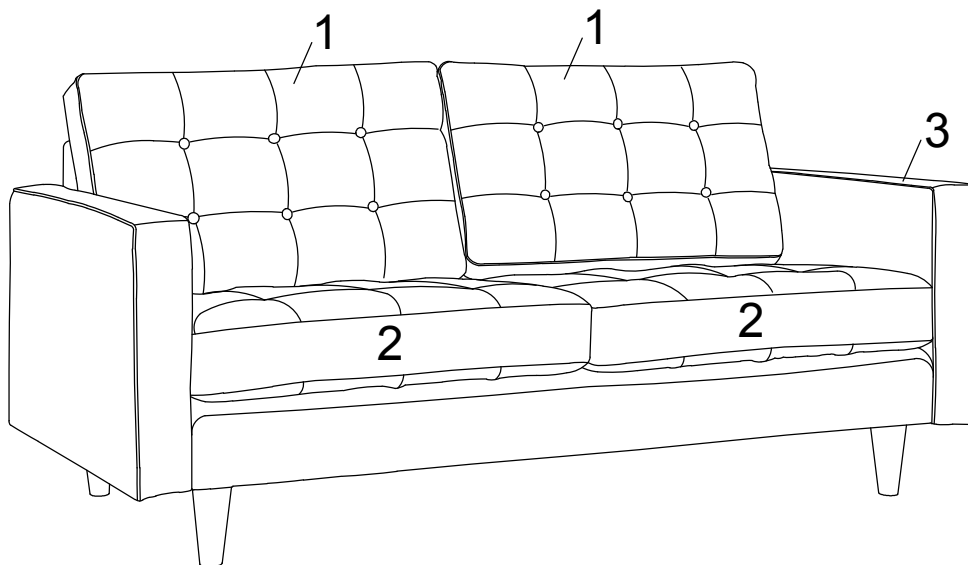
Step 3:

Please insert the Loveseat Leg(4) into the hole on the round metal plate. Use hands to tighten the Loveseat Leg (4) clockwise until secure. Repeat the process for all 4pcs Loveseat Leg (4).



Step 4:

Carefully turn over the chair and put on the Back Cushion(1) and Seat Cushion(2).



Assembly is completed. The Loveseat is ready to enjoy now !
