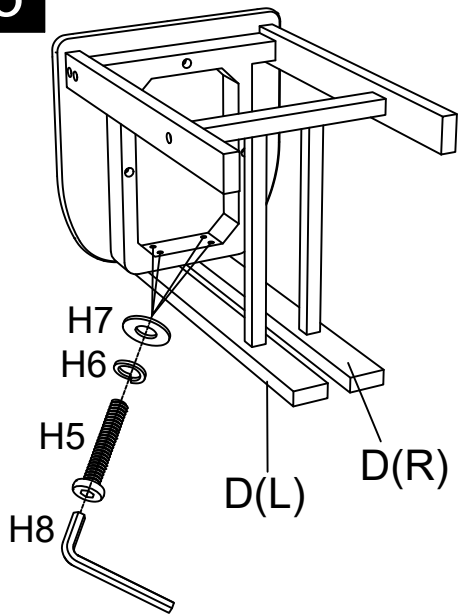
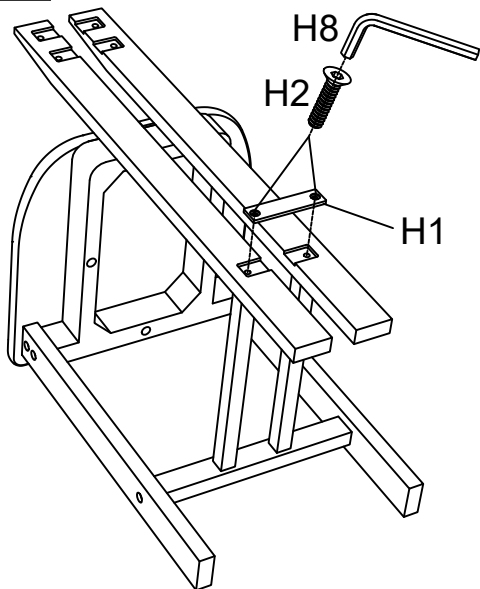


5



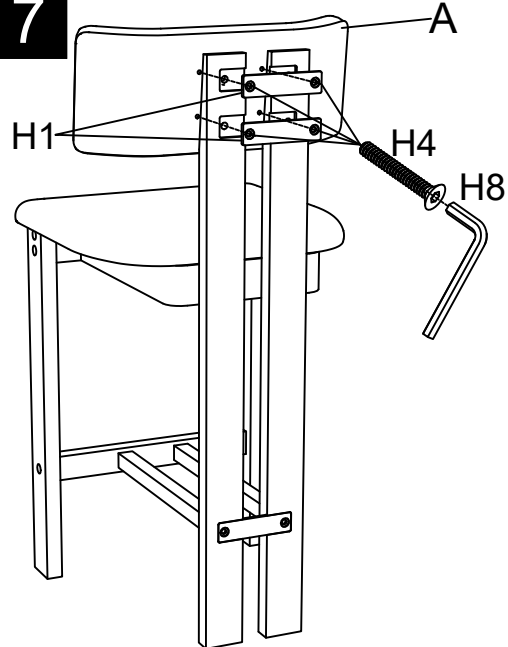
Tighten the bolts to 80% tightness.

6



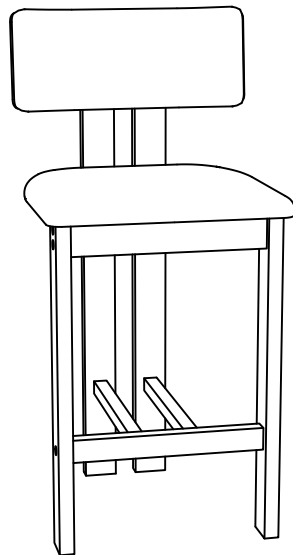
Tighten the bolts to 80% tightness.

7



Tighten the bolts to 80% tightness.

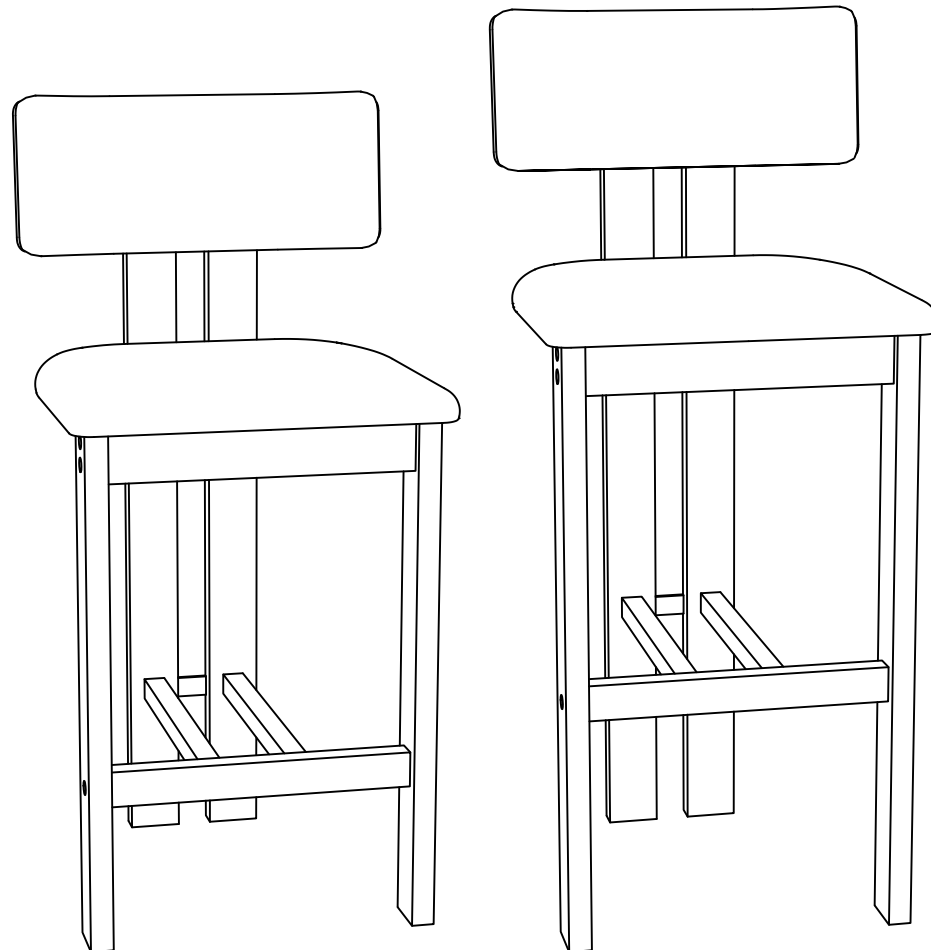
8



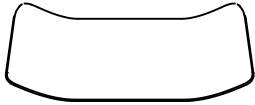
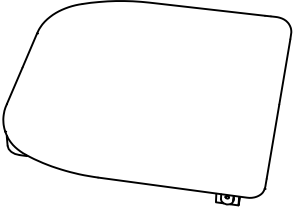
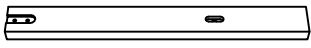
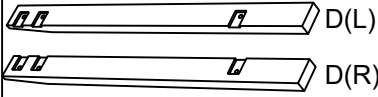
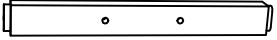
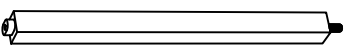
Adjust the chair so that it is leveled, then fully tighten all the bolts.

ASSEMBLY INSTRUCTION

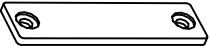







Counter chair & Bar chair
TN-5829L & TN-5829H



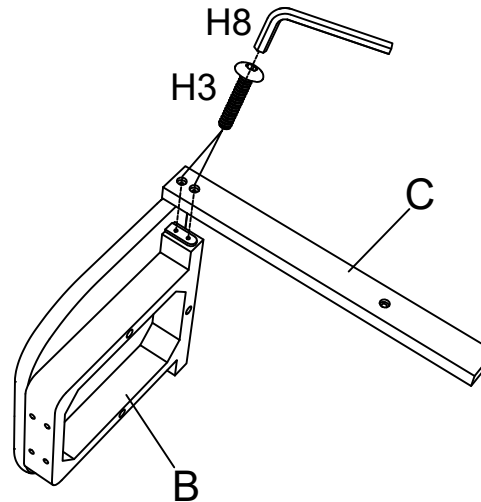
Component List

LABEL		DESCRIPTION	QTY
A		Back	1
B		Seat	1
C		Front leg	2
D		Back leg	2
E		Footrest	1
F		Wood cross	2

Hardware List

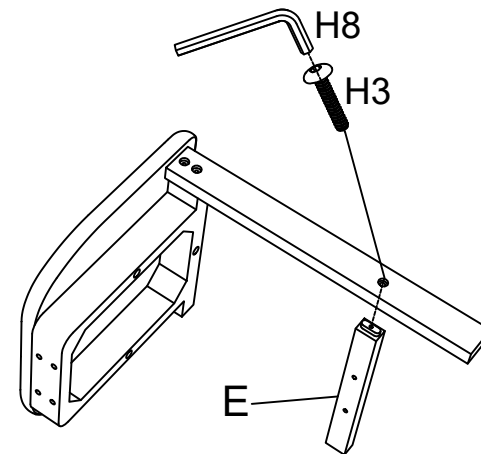
LABEL		DESCRIPTION	QTY
H1		Metal connect	3
H2		Bolts(gold) M6x35mm	2
H3		Bolts M6x35mm	6
H4		Bolts(gold) M6x50mm	4
H5		Bolts M8x50mm	4
H6		Spring washer M8	4
H7		Flat washer M8x22x1.5mm	4
H8		Allen key M6	1

1



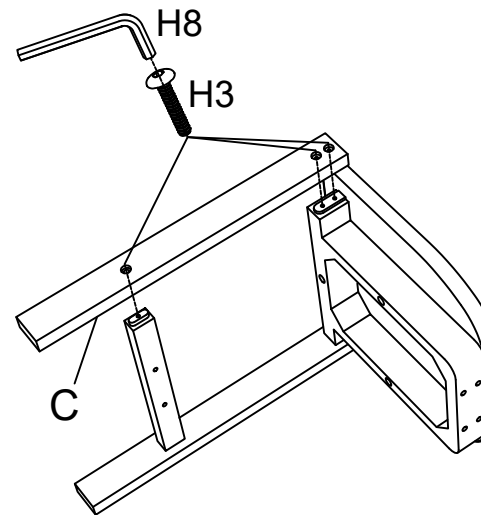
Tighten the bolts to 80% tightness.

2



Tighten the bolts to 80% tightness.

3



Tighten the bolts to 80% tightness.

4

