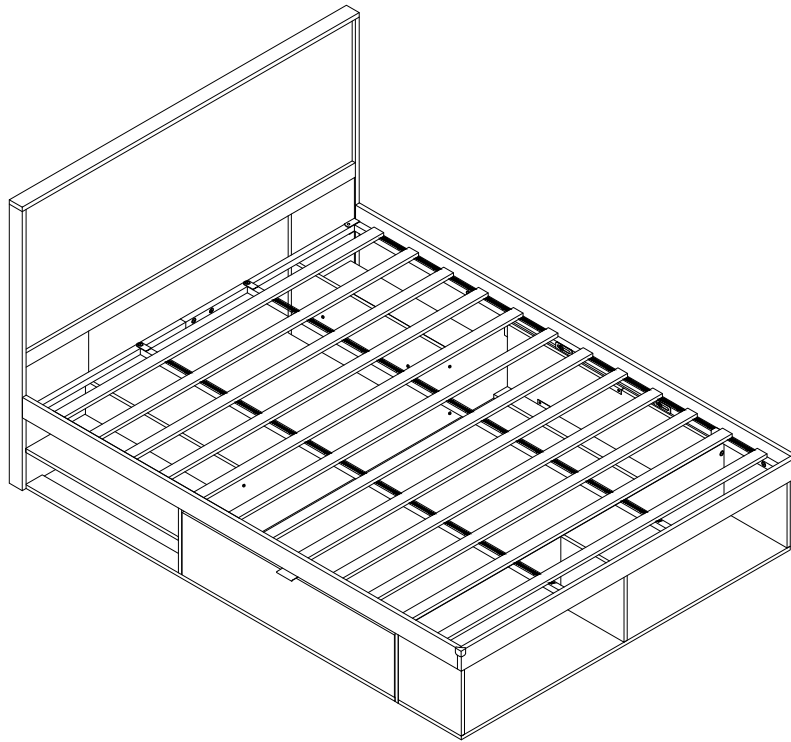
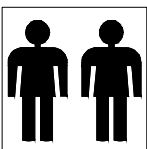


ASSEMBLY INSTRUCTION



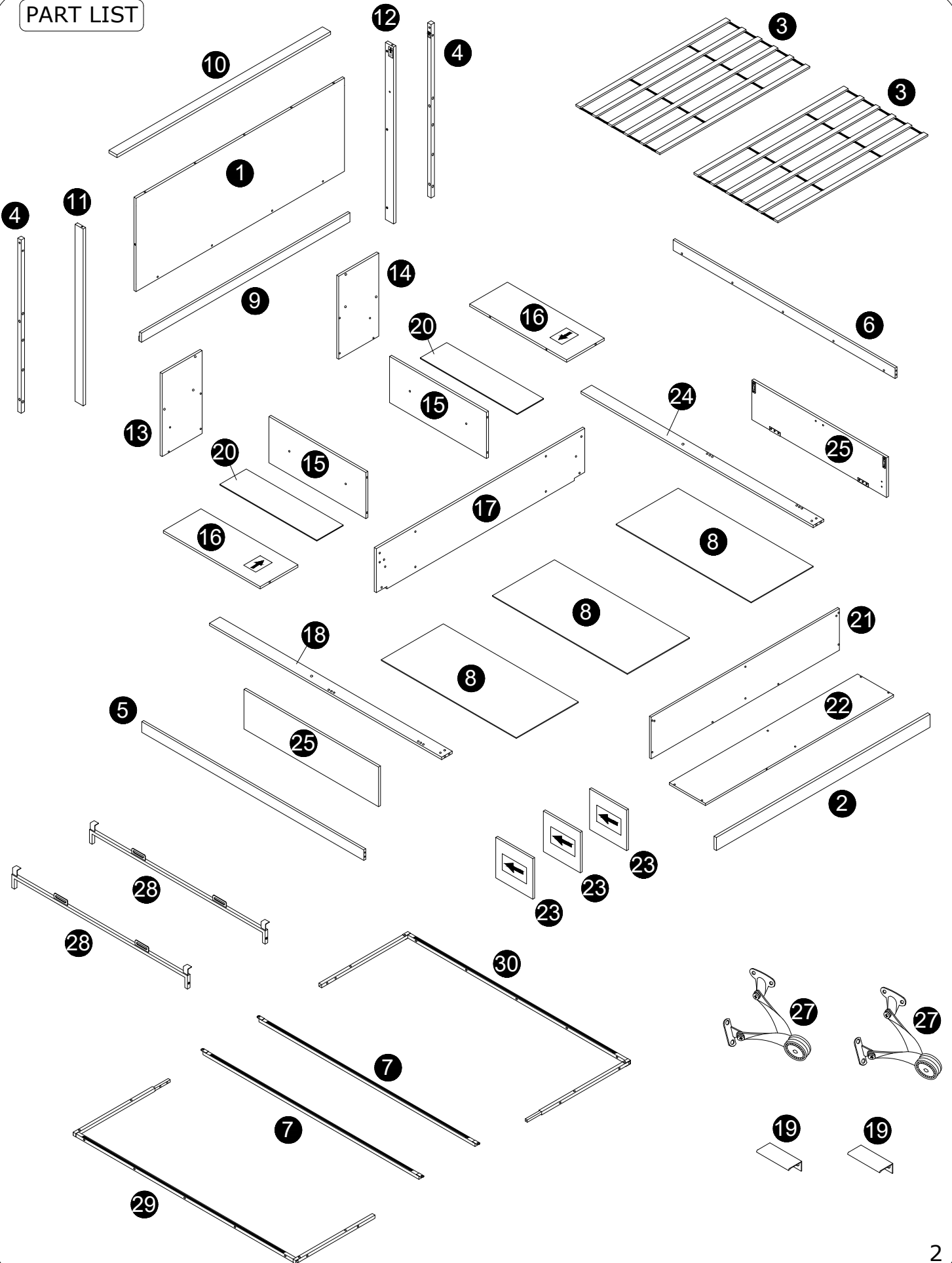
IMPORTANT NOTE

1. For the protection of your furniture, place all parts on a clean and smooth surface to prevent any damage.
2. Keep fittings out of children's reach and keep children well away from construction area.
3. When moving your assembled bed, it is best to lift the bed and never to drag it.
4. Do not use this product if parts are missing, damaged or worn.
5. This product should only be used on firm, level ground.
6. Please periodically check all fittings and re-tighten as necessary.
7. Do not use the bed unless all bolts and screws are firmly secured.
8. For further assistance, please provide a screenshot of your order and contact us

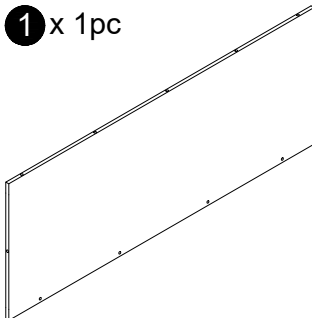
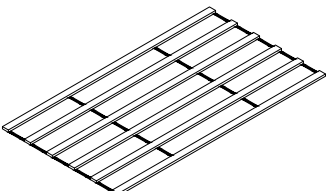
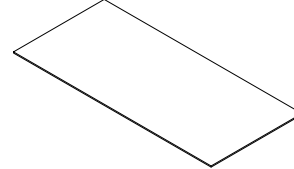
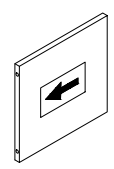


Minimum two
person assembly

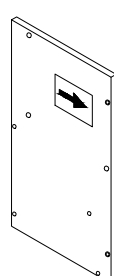
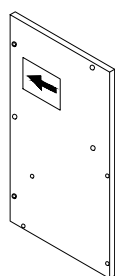
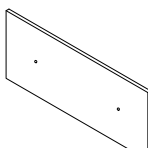
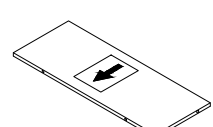
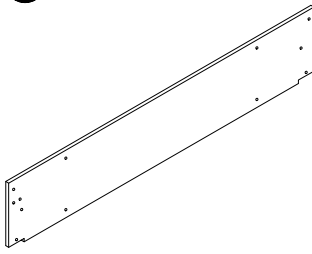
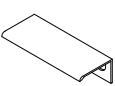
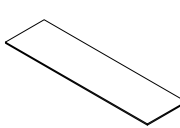
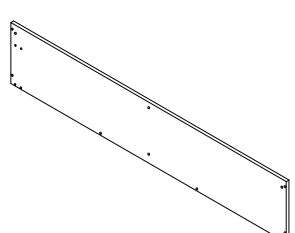
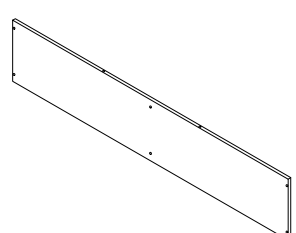
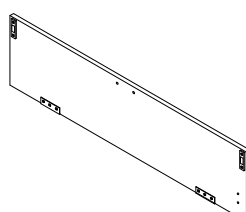
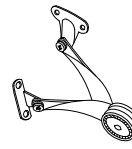
PART LIST



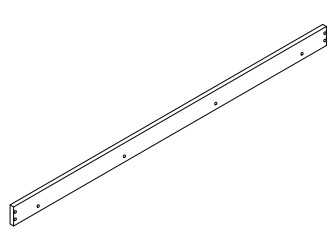

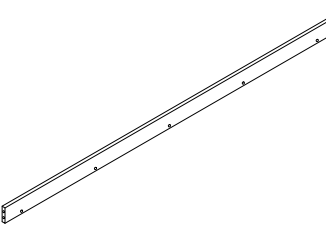
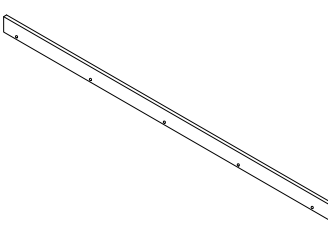
Components of Carton A

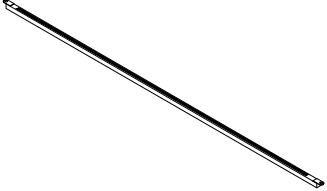
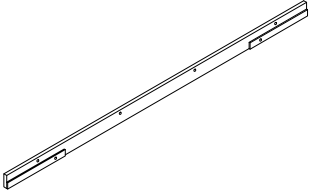
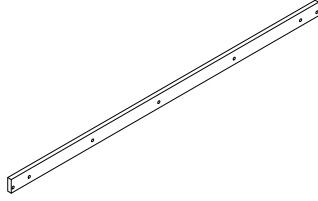


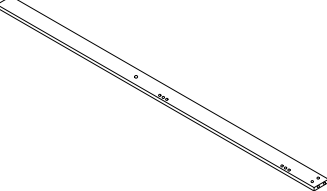
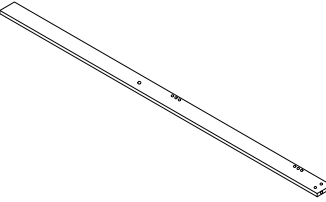
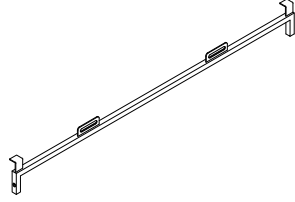
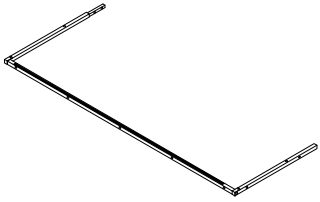
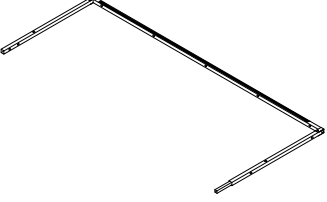
| | | | |
|--|---|--|--|
| <p>1 x 1pc</p>  | <p>3 x 2pcs</p>  | <p>8 x 3pcs</p>  | <p>23 x 3pcs</p>  |
|--|---|--|--|

Components of Carton B

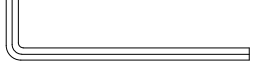
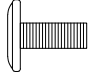
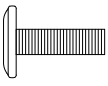
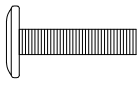
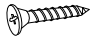
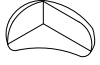
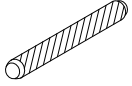


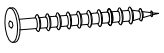

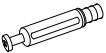


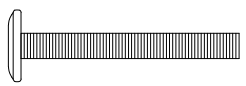
| | | | |
|---|--|---|--|
| <p>13 x 1pc</p>  | <p>14 x 1pc</p>  | <p>15 x 2pcs</p>  | <p>16 x 2pcs</p>  |
| <p>17 x 1pc</p>  | <p>19 x 2pcs</p>  | <p>20 x 2pcs</p>  | <p>21 x 1pc</p>  |
| <p>22 x 1pc</p>  | <p>25 x 2pcs</p>  | <p>27 x 2pcs</p>  | |

Components of Carton C

| | | | |
|--|---|---|--|
| <p>2 x 1pc</p>  | <p>4 x 2pcs</p>  | <p>5 x 1pc</p>  | <p>6 x 1pc</p>  |
|--|---|---|--|

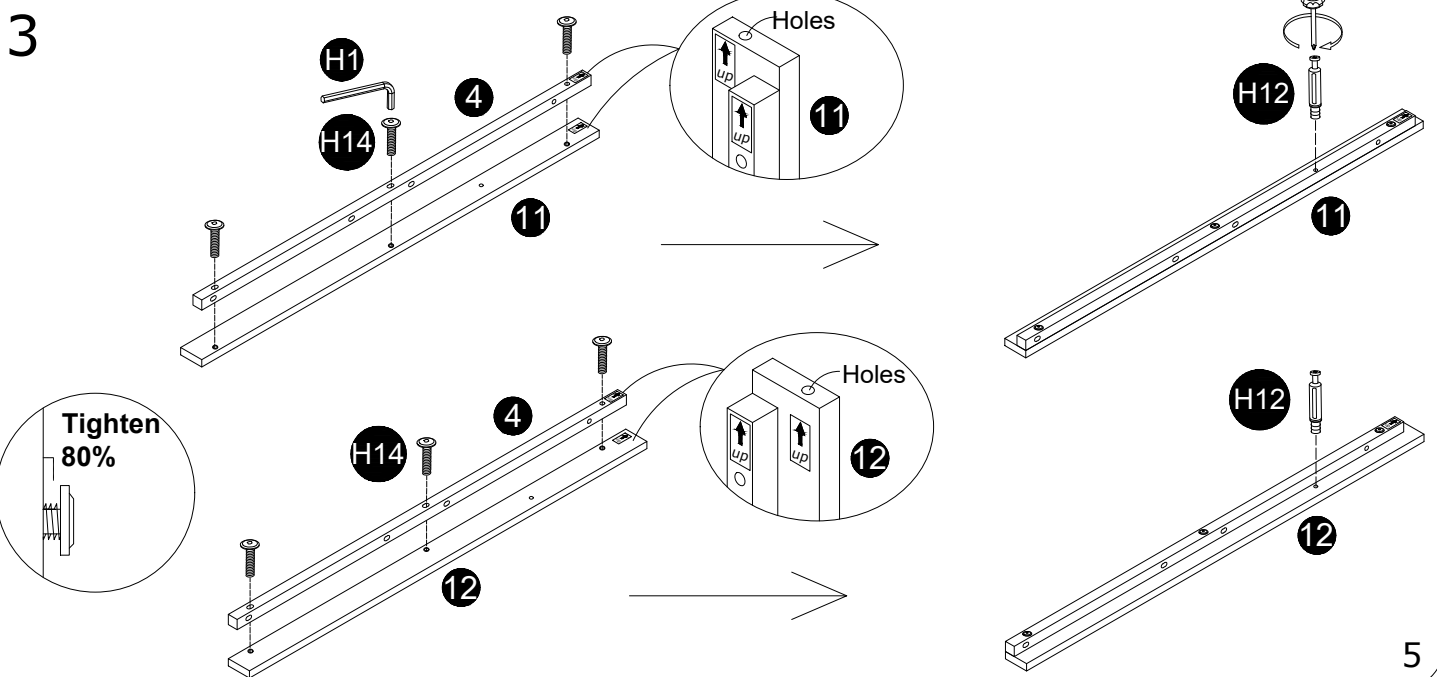
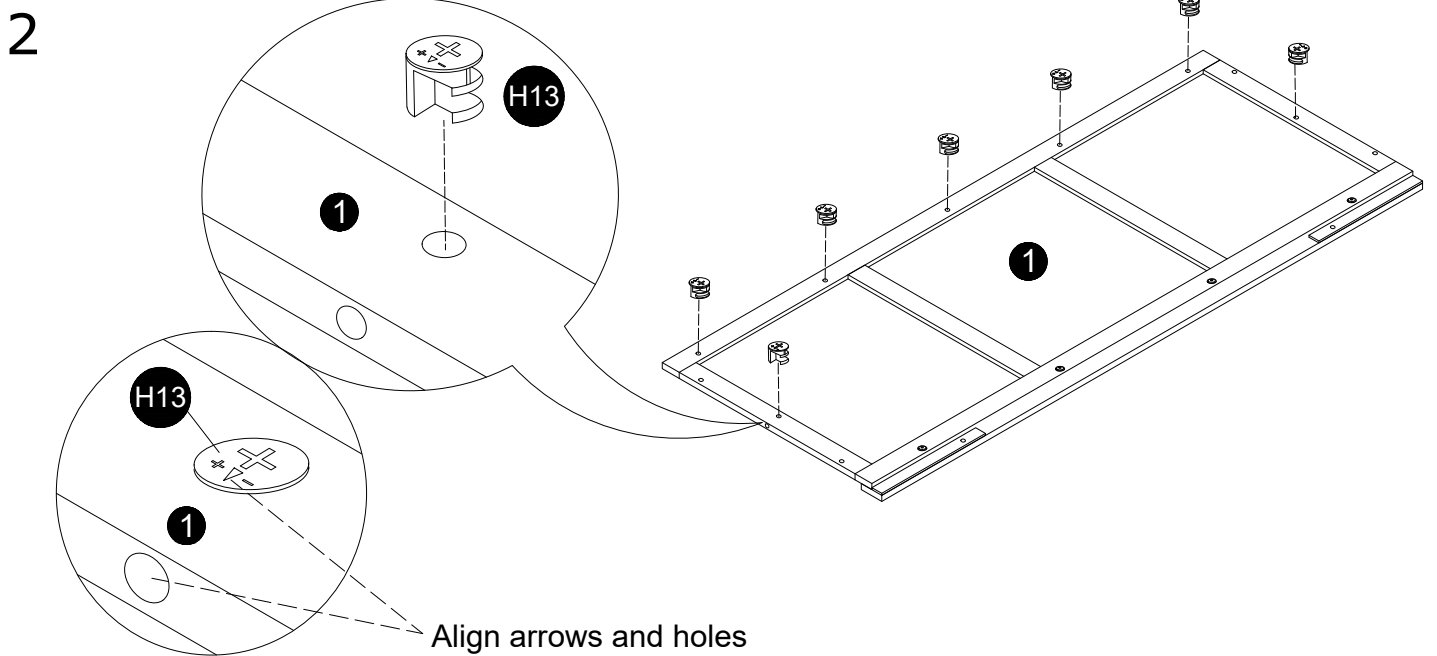
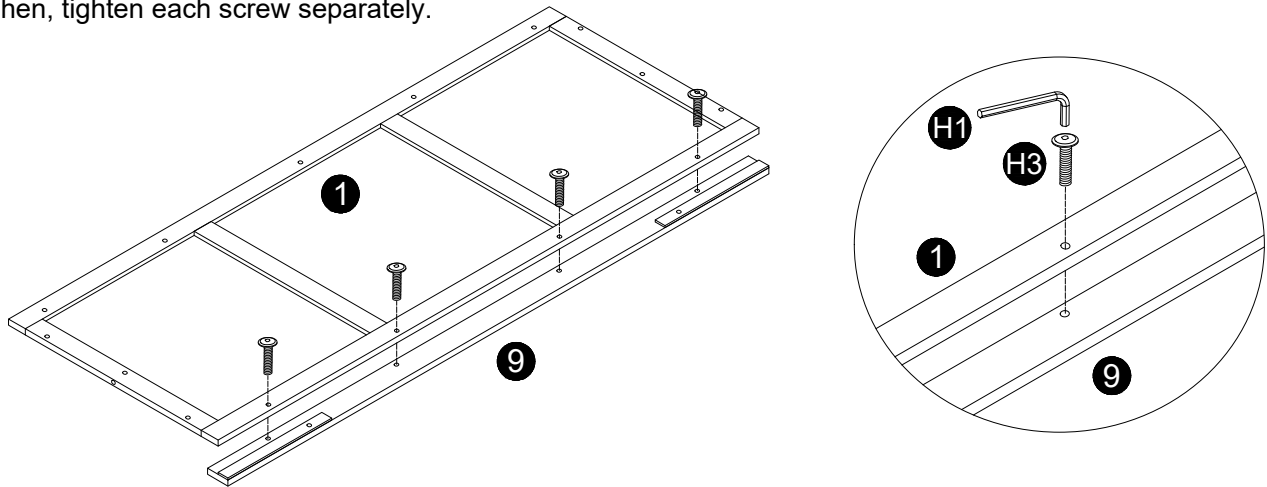
| | | | |
|--|--|---|---|
| 7 x 2pcs  | 9 x 1pc  | 10 x 1pc  | 11 x 1pc  |
| 12 x 1pc  | 18 x 1pc  | 24 x 1pc  | 28 x 2pcs  |
| 29 x 1pc  | 30 x 1pc  | | |

HARDWARE LIST

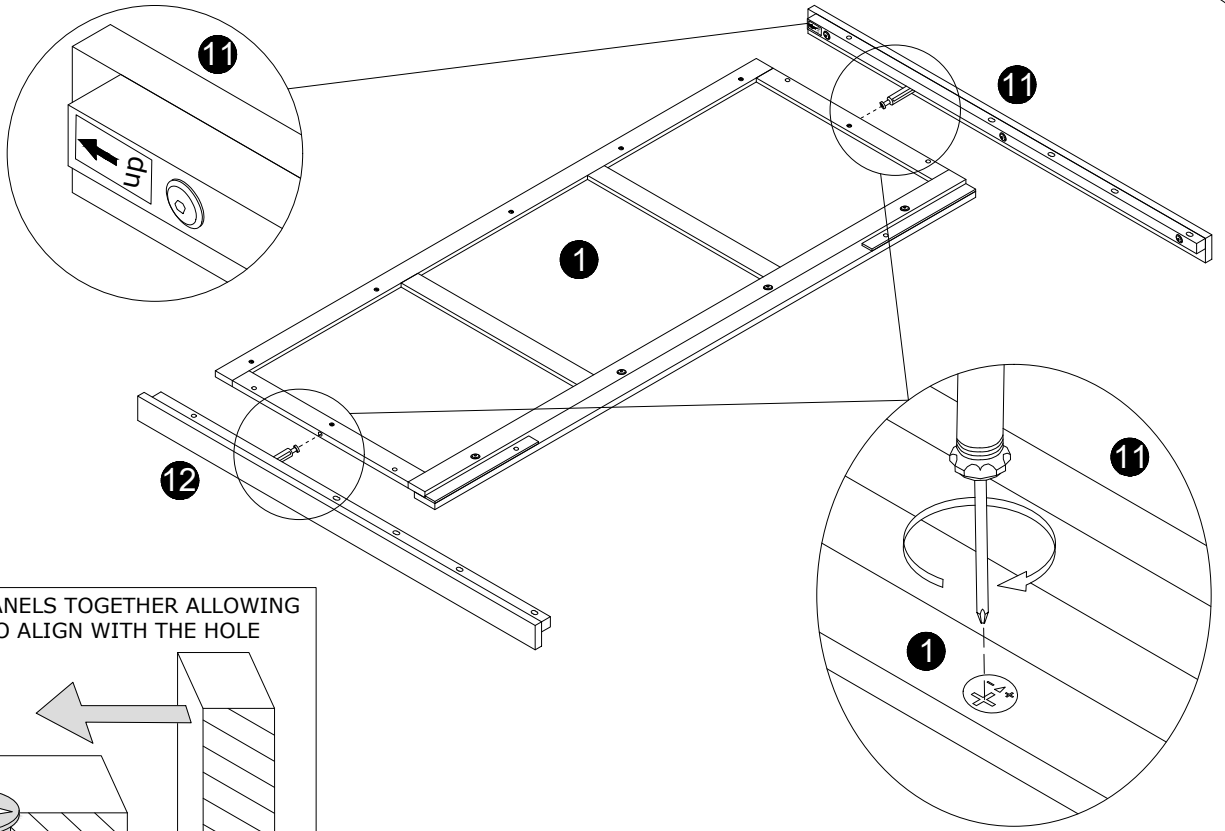
| | | | |
|---|---|--|---|
|  |  |  |  |
| H1 M5 x 1pc | H2 M8x20mm x 8pcs | H3 M8x30mm x 6pcs | H4 M8x38mm x 14pcs |
|  |  |  |  |
| H5 M4x12mm x 24pcs | H6 x 2pcs | H7 M8x40mm x 6pcs | H8 M6x25mm x 4pcs |
|  |  |  |  |
| H9 Ø13mm x 10pcs | H10 M6x45mm x 32pcs | H11 M4 x 1pc | H12 x13pcs |
|  |  |  | |
| H13 x 13pcs | H14 M8x35mm x 16pcs | H15 M8x80mm x 2pcs | |

Please ensure to thoroughly inspect the small inner cardboard box containing the hardware, which are tied with a red string, before disposing of the box.

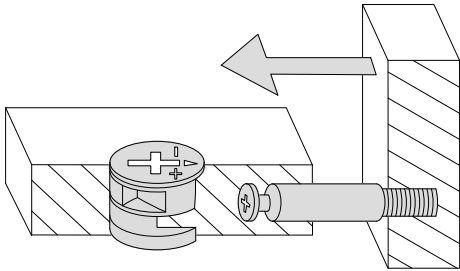
1 As shown in the diagram, align the screws with the corresponding holes and pre-fix them. Then, tighten each screw separately.



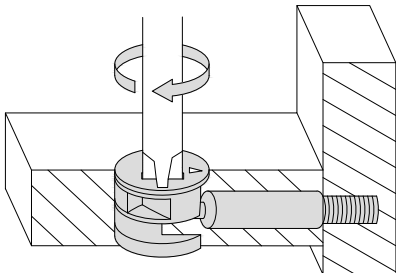
4



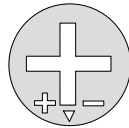
PUSH THE TWO PANELS TOGETHER ALLOWING THE DOWEL TO ALIGN WITH THE HOLE



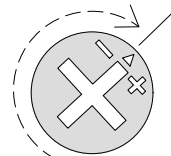
TURN THE CAM IN A CLOCKWISE DIRECTION



DON'T STOP UNTIL THE 2 O'CLOCK LOCK
TURN THE CAM IN A CLOCKWISE DIRECTION UNTIL THE ARROW POINTS IN THE POSITIONS SHOWN IN THE DIAGRAMS BELOW



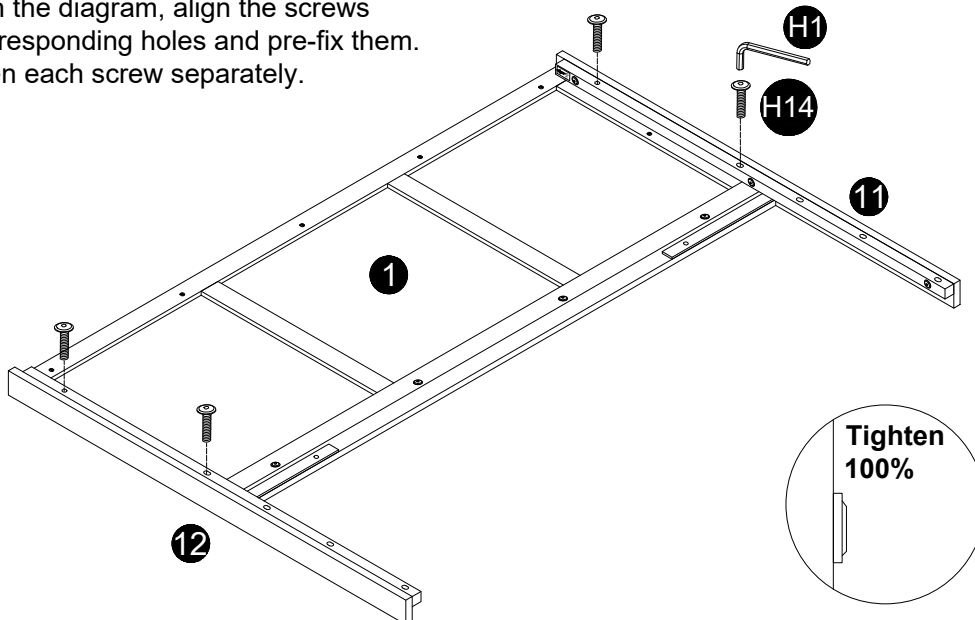
OPEN



LOCKED

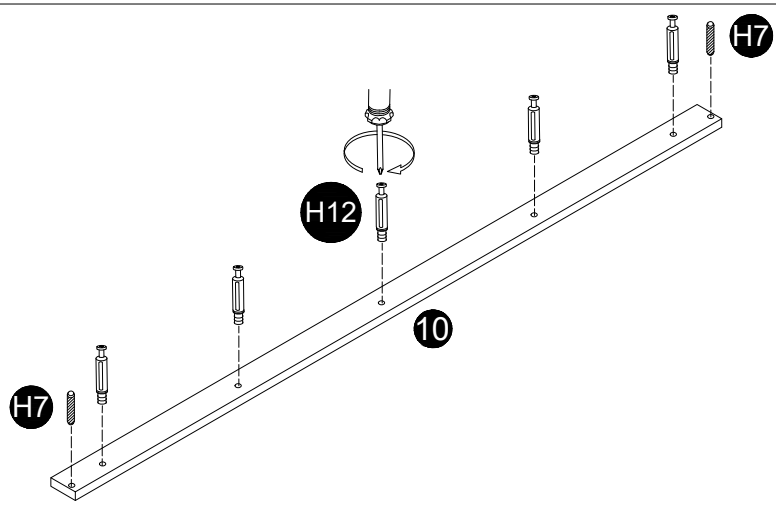
5

As shown in the diagram, align the screws with the corresponding holes and pre-fix them. Then, tighten each screw separately.

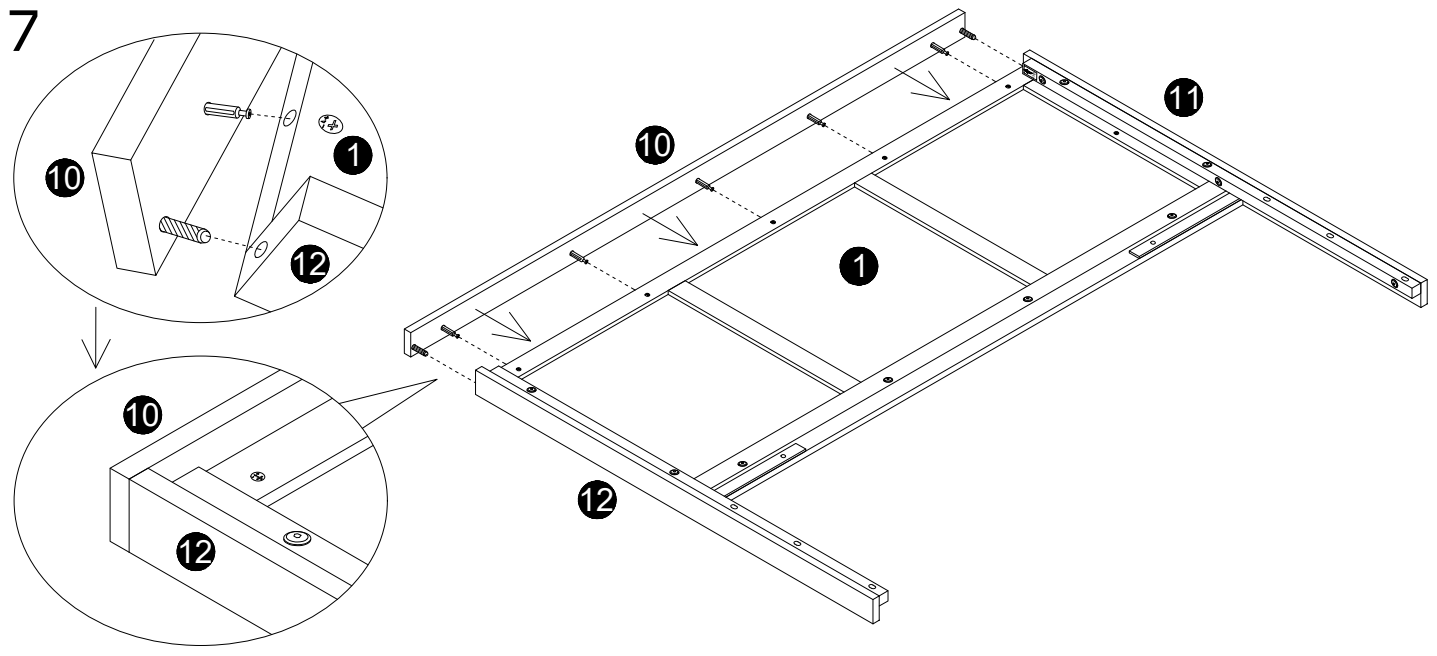


Tighten
100%

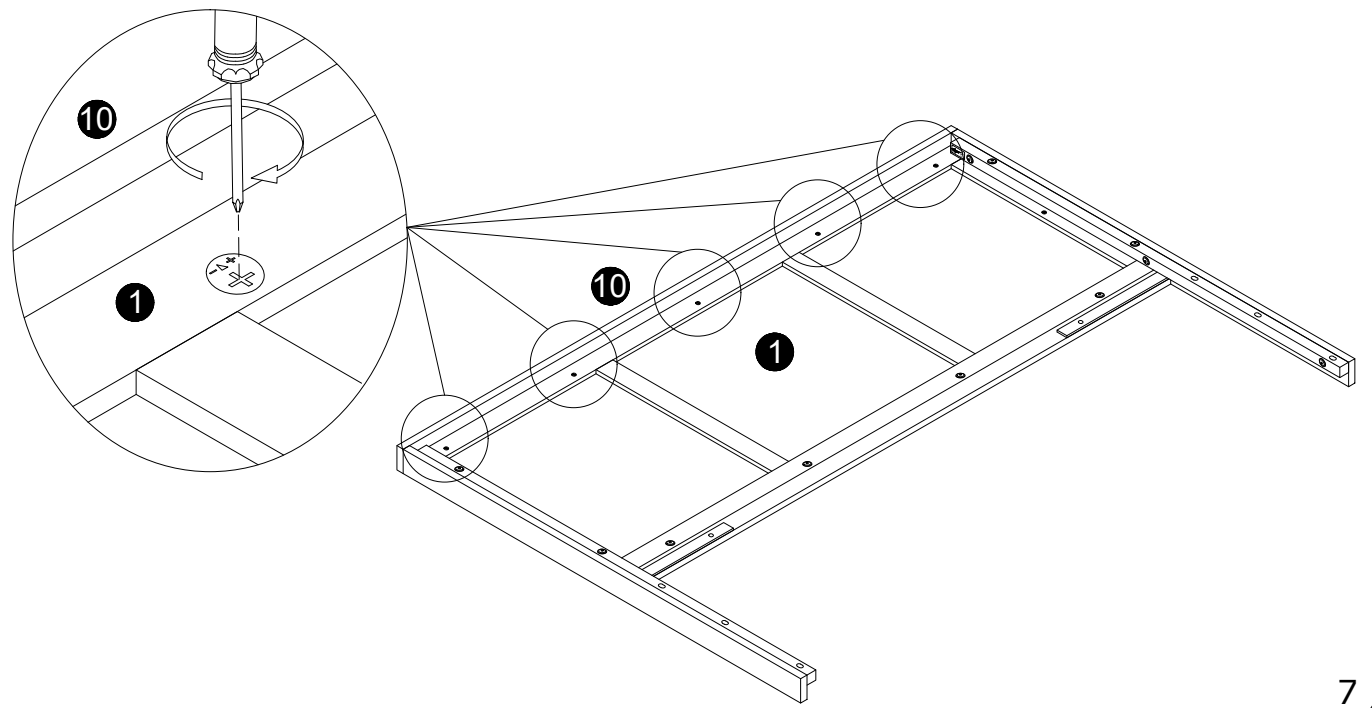
6



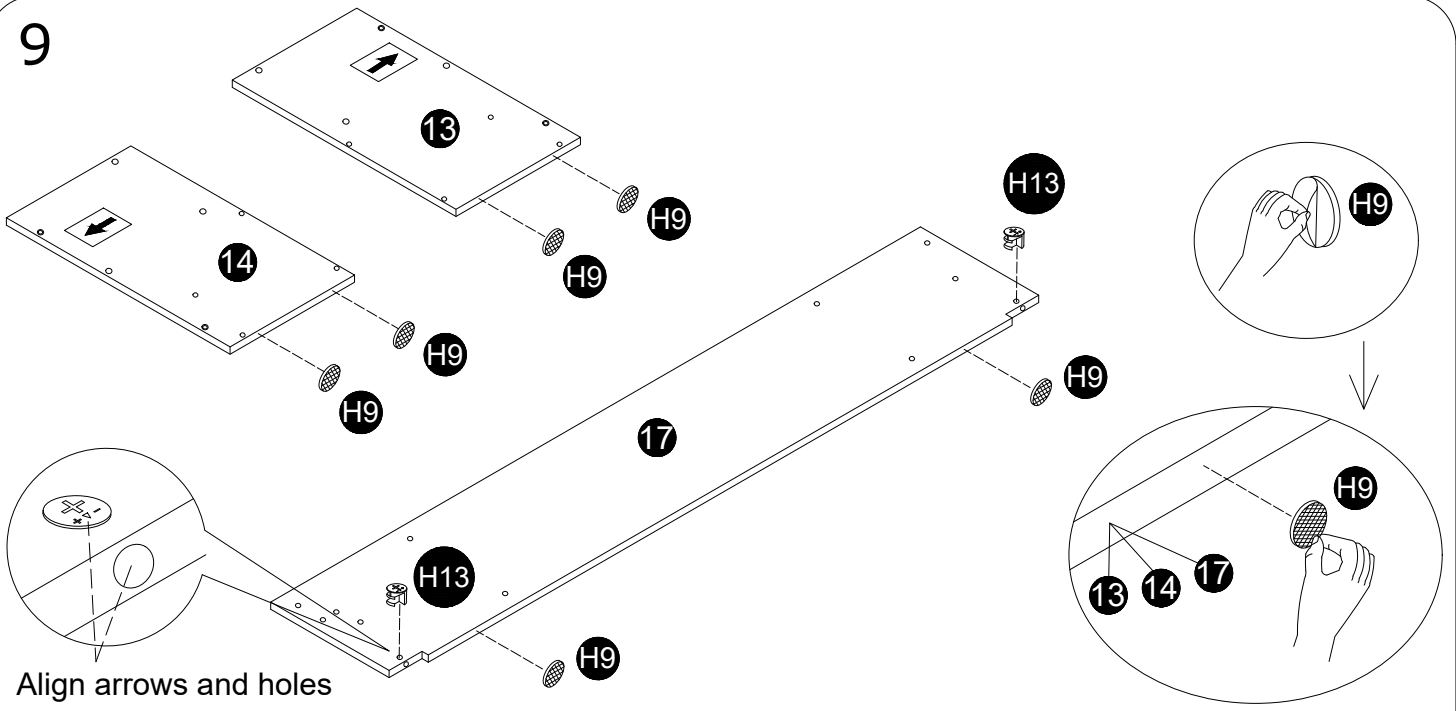
7



8

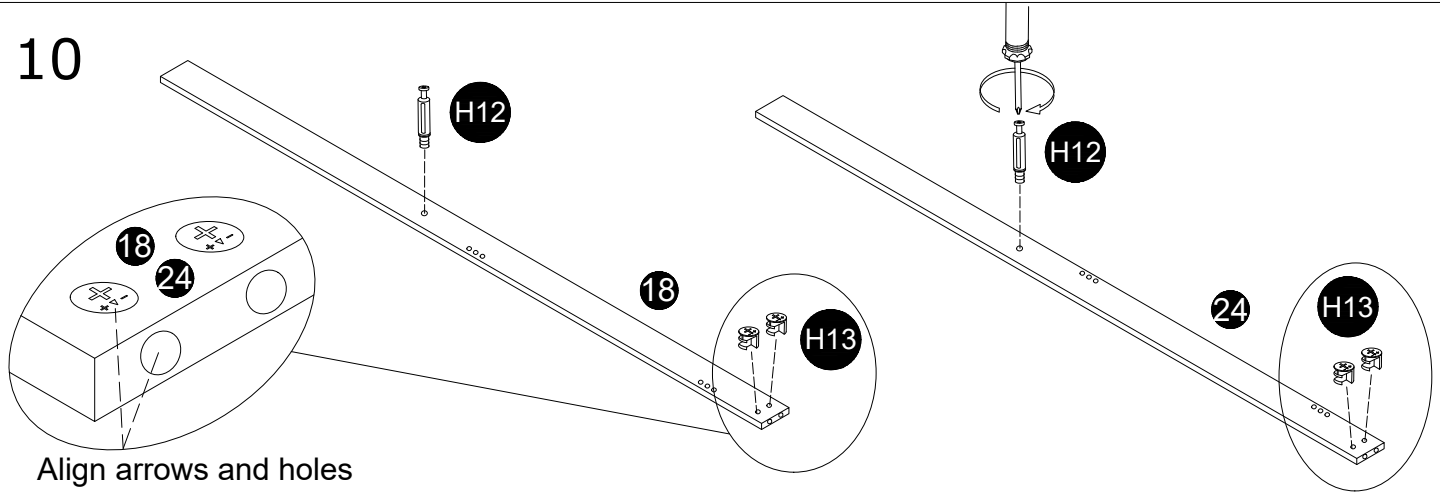


9



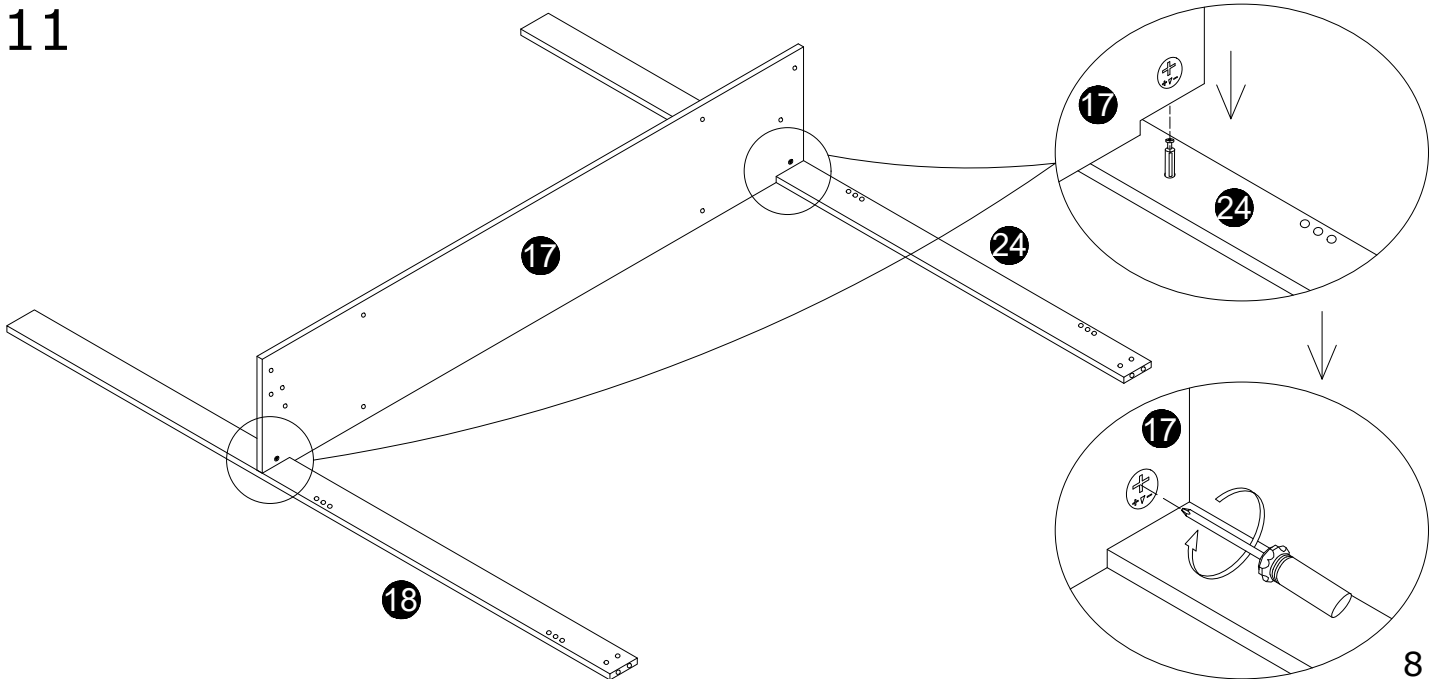
Align arrows and holes

10

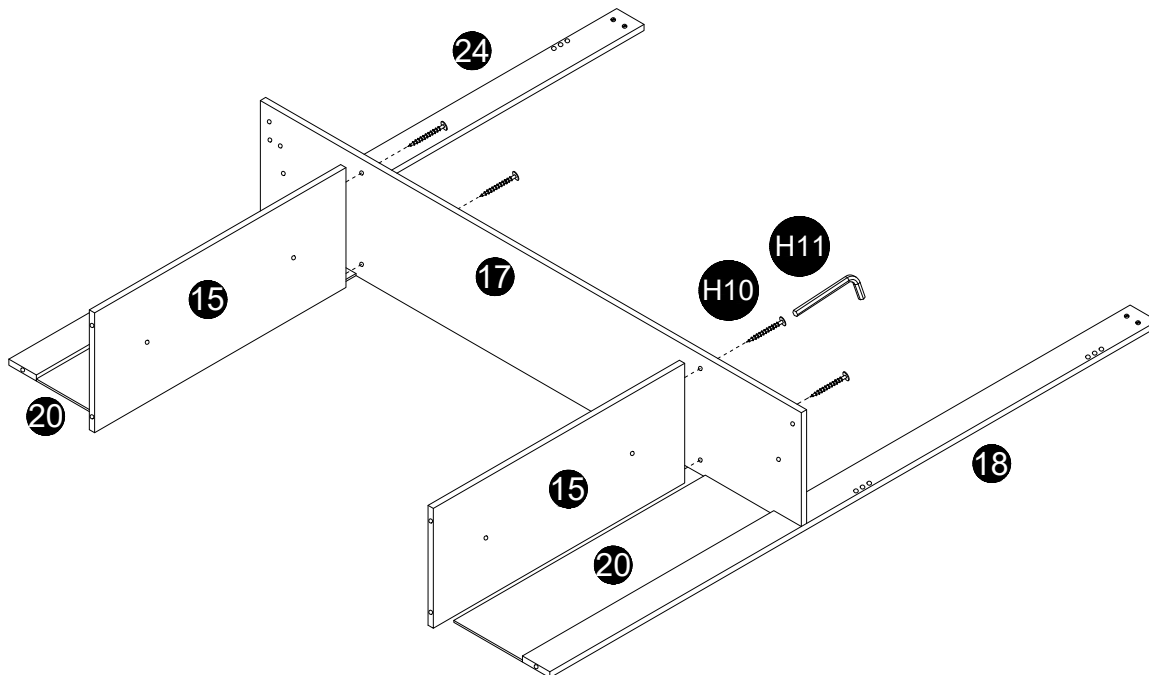


Align arrows and holes

11

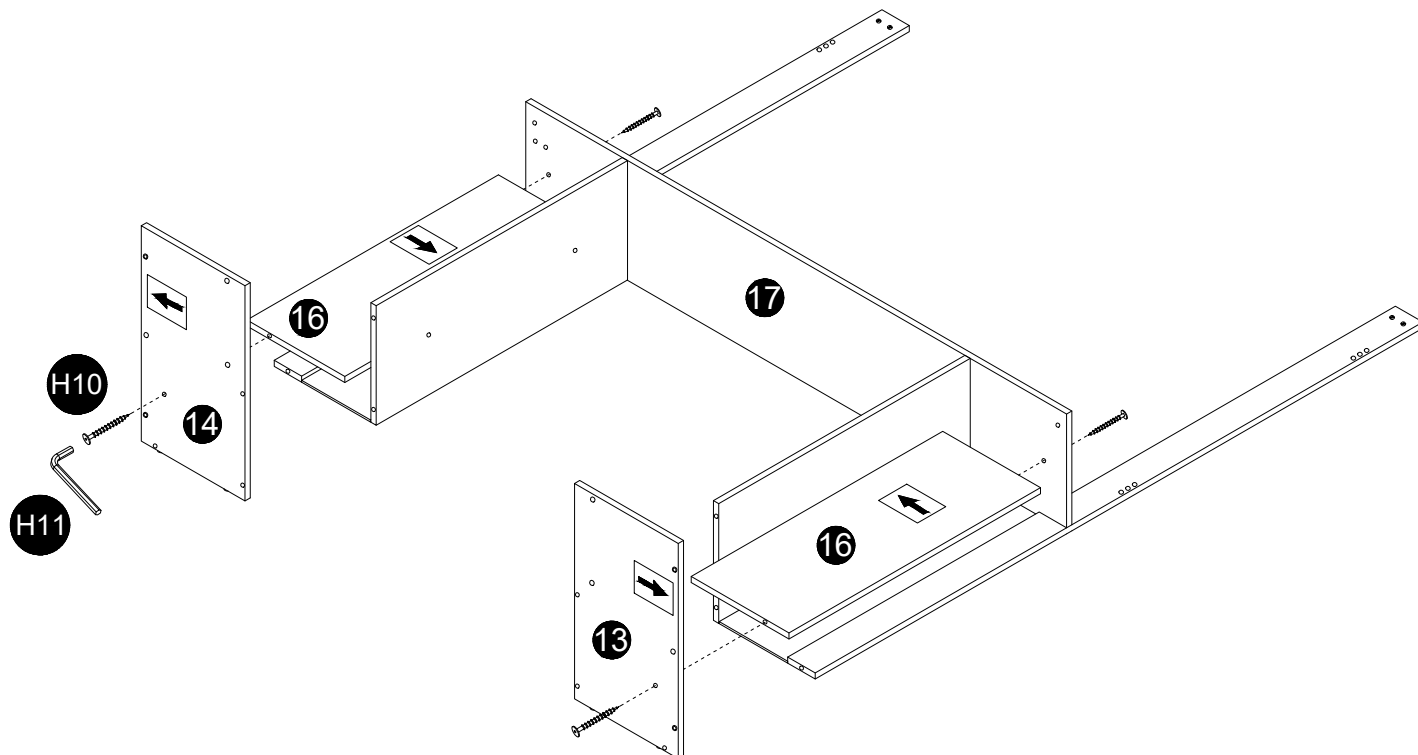


12



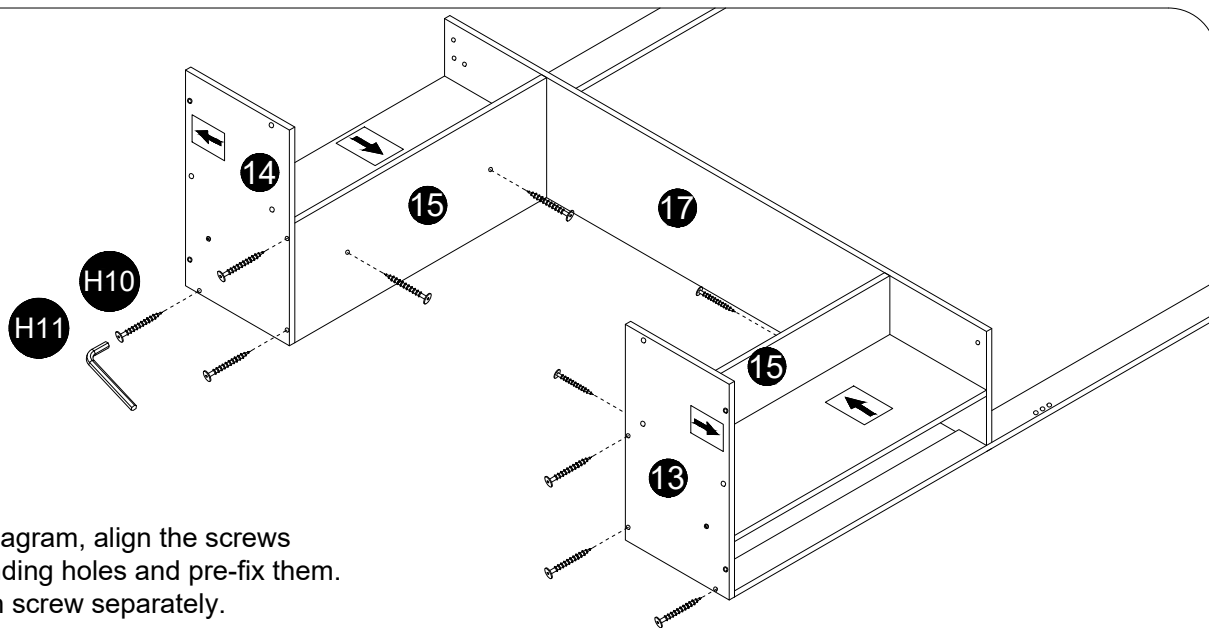
As shown in the diagram, align the screws with the corresponding holes and pre-fix them. Then, tighten each screw separately.

13



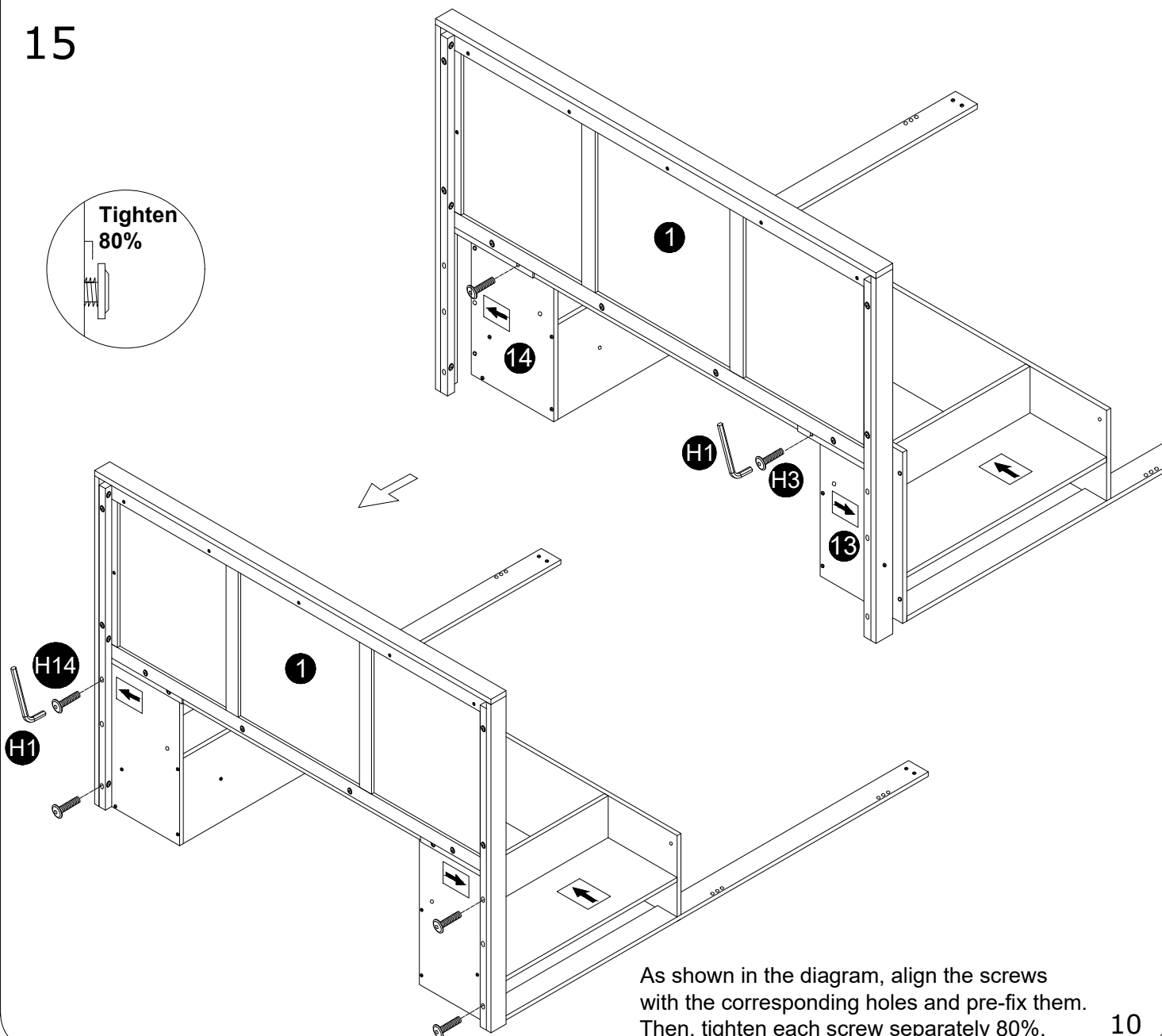
As shown in the diagram, align the screws with the corresponding holes and pre-fix them. Then, tighten each screw separately.

14



As shown in the diagram, align the screws with the corresponding holes and pre-fix them. Then, tighten each screw separately.

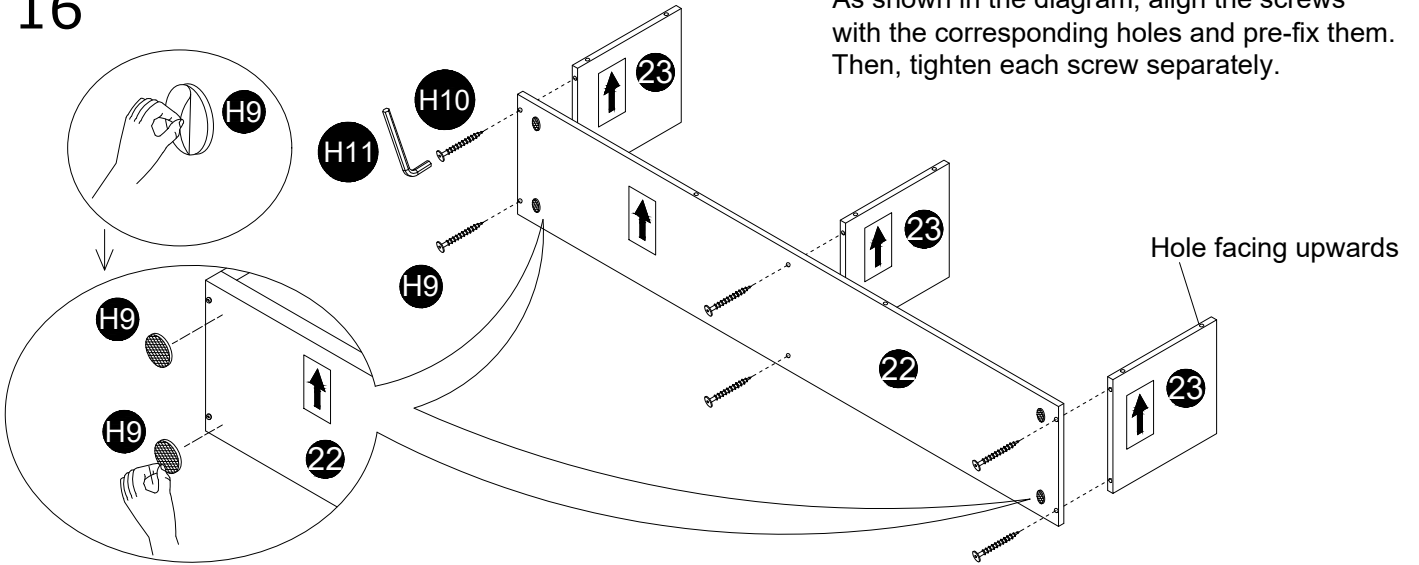
15



As shown in the diagram, align the screws with the corresponding holes and pre-fix them. Then, tighten each screw separately 80%.

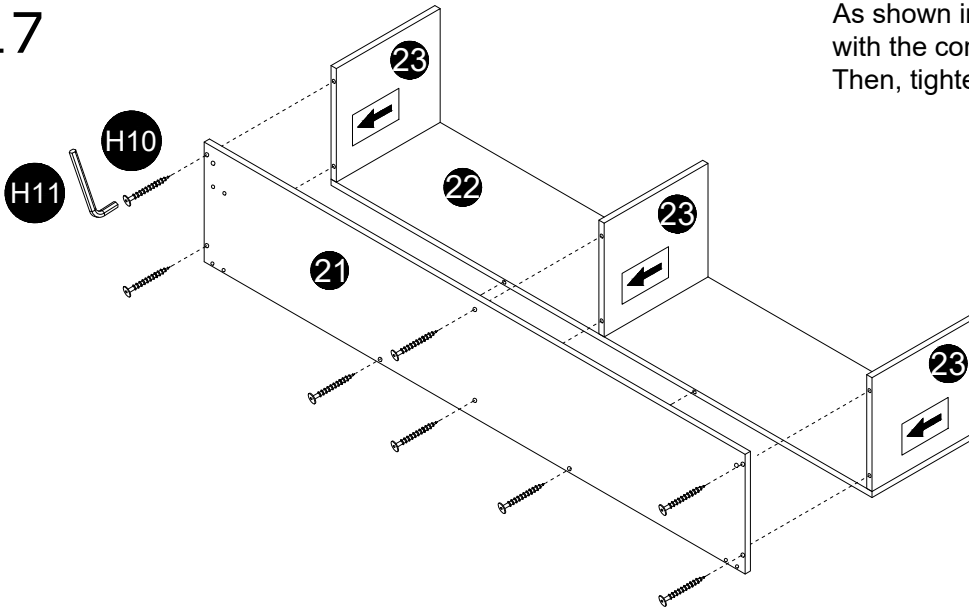
16

As shown in the diagram, align the screws with the corresponding holes and pre-fix them. Then, tighten each screw separately.



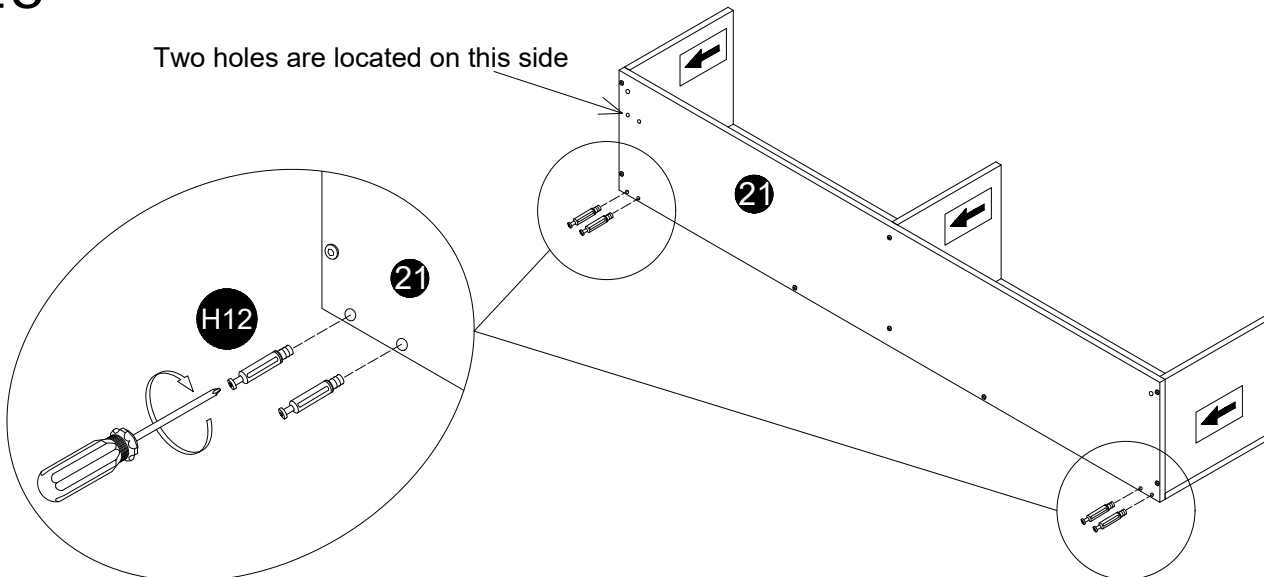
17

As shown in the diagram, align the screws with the corresponding holes and pre-fix them. Then, tighten each screw separately.

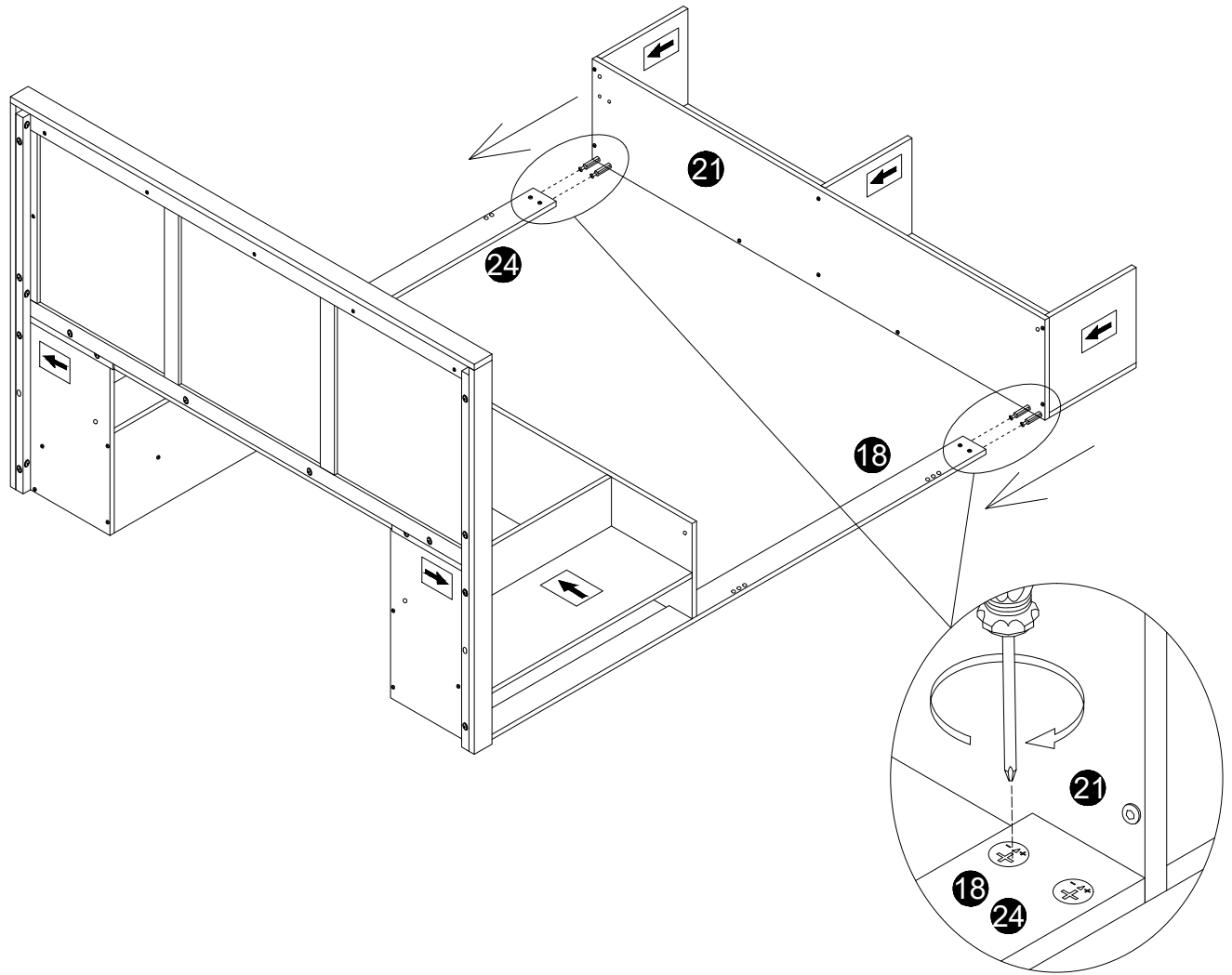


18

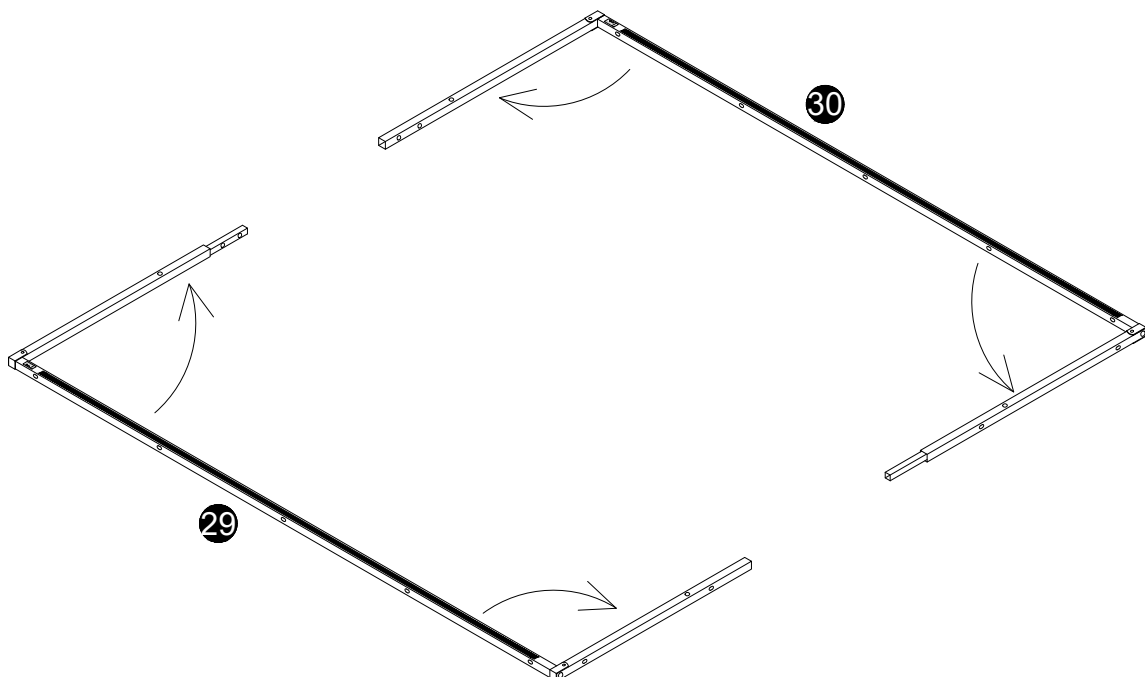
Two holes are located on this side



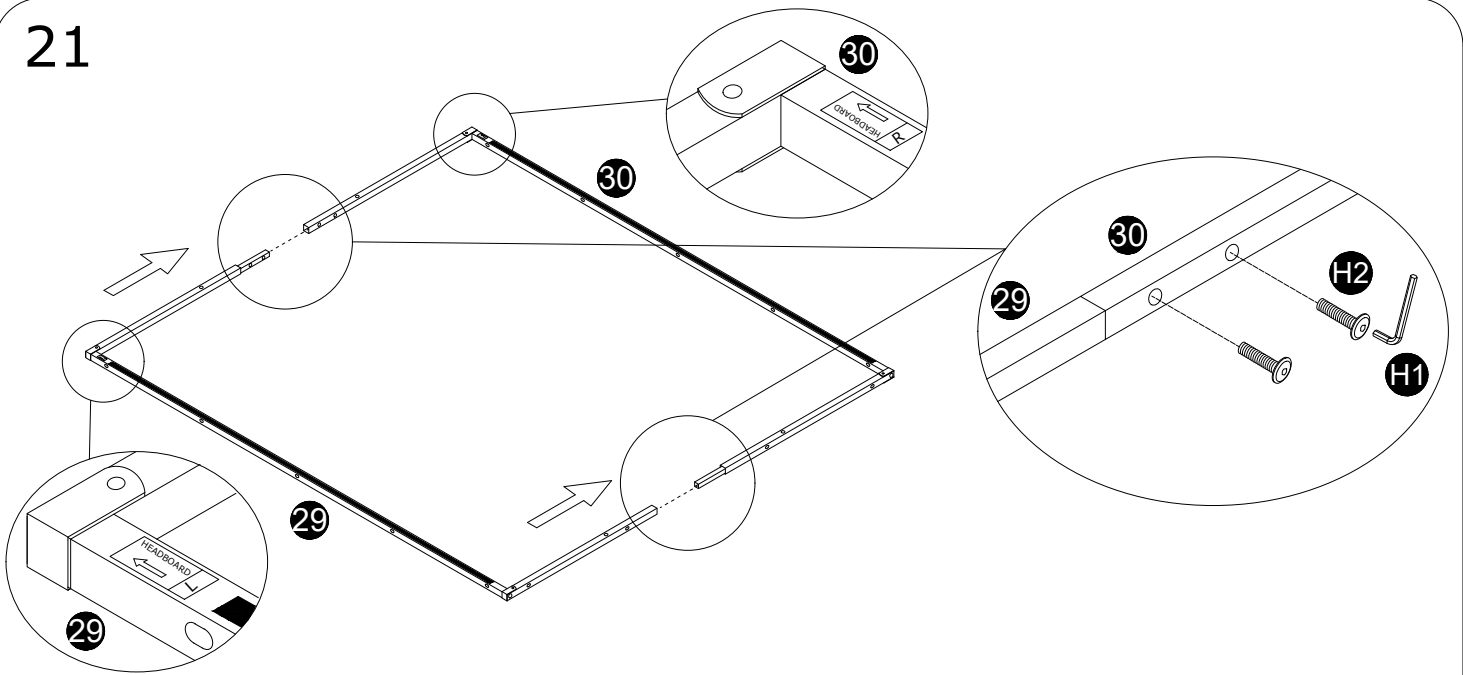
19



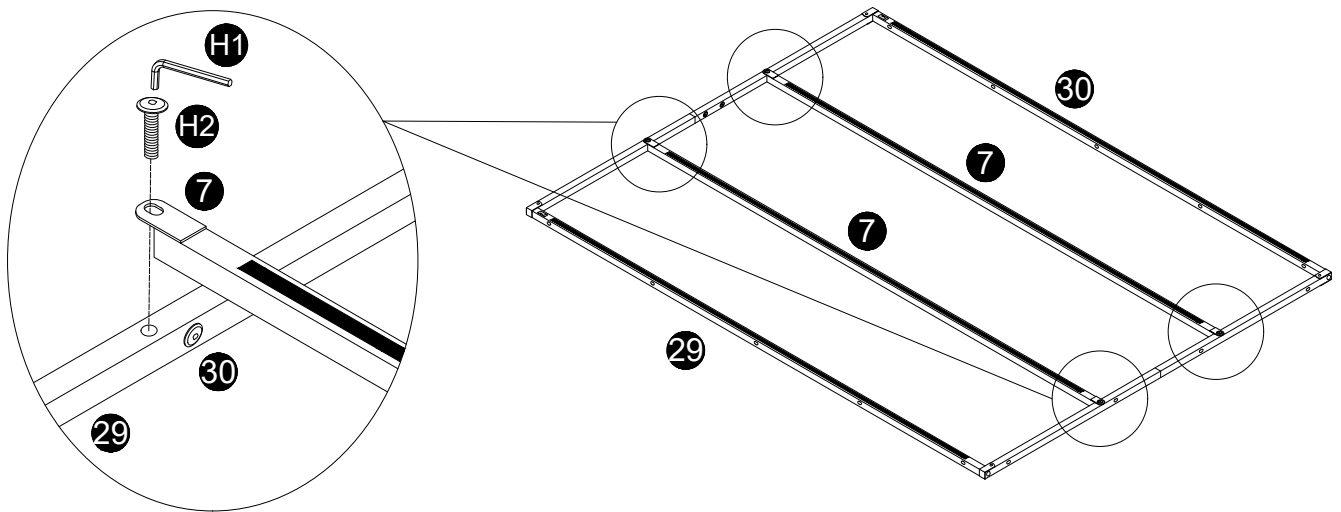
20



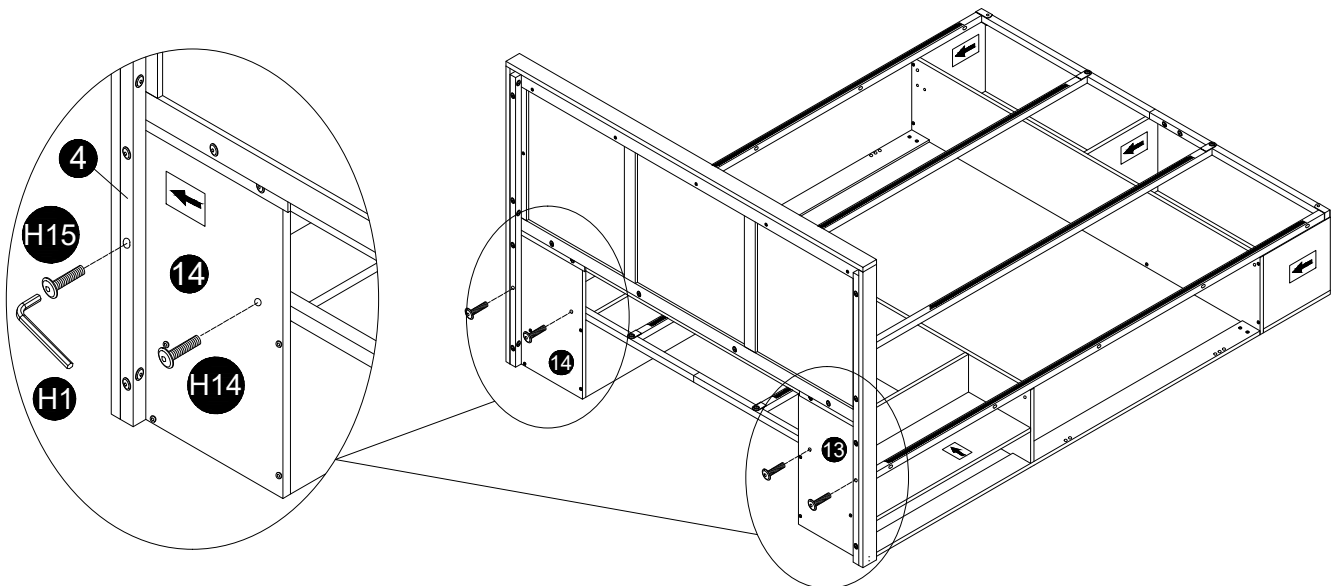
21



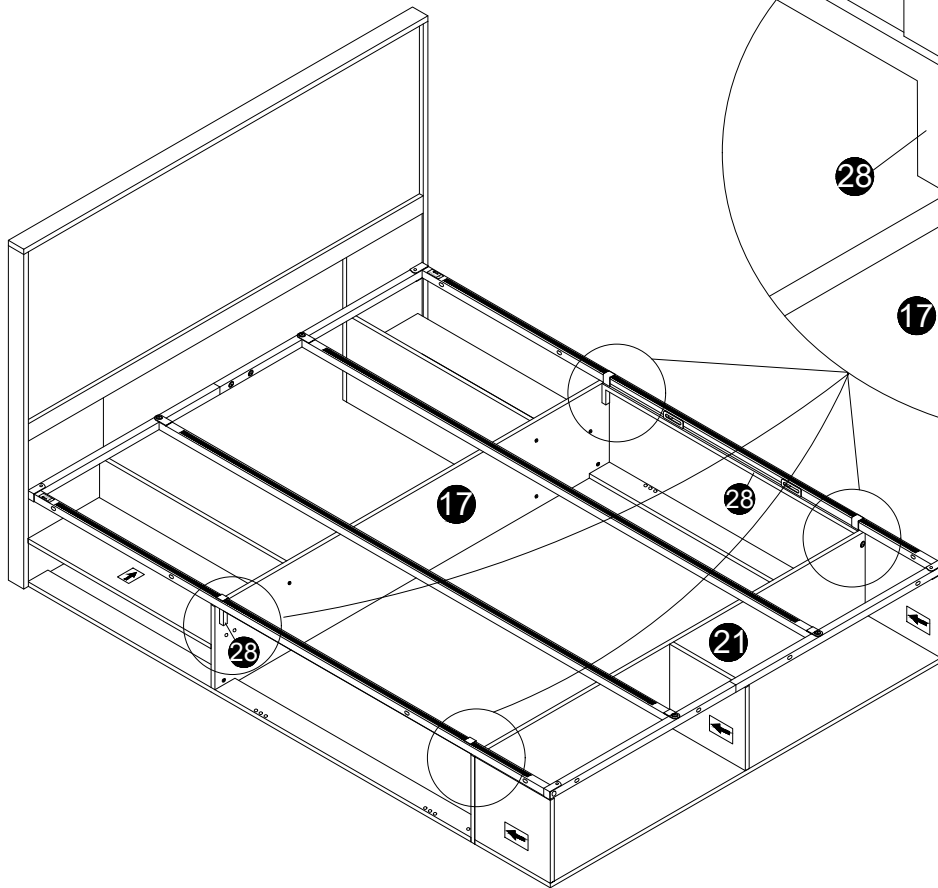
22



23



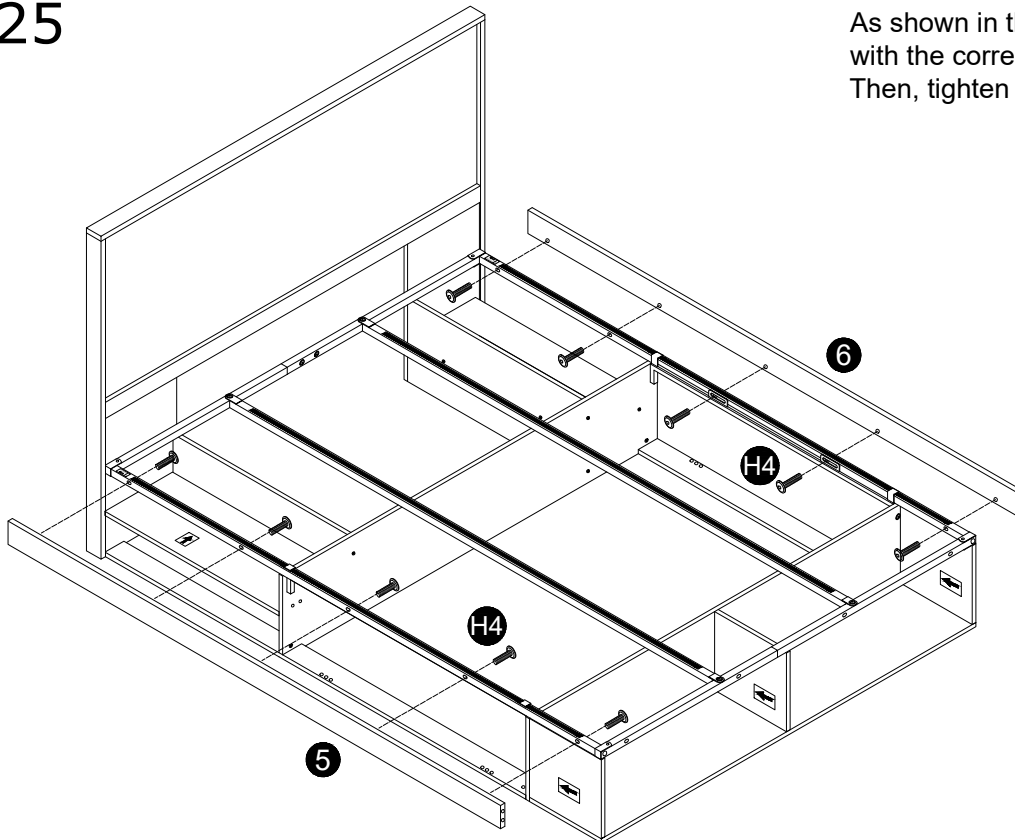
24



Tighten
100%

Tighten the screw in step 15

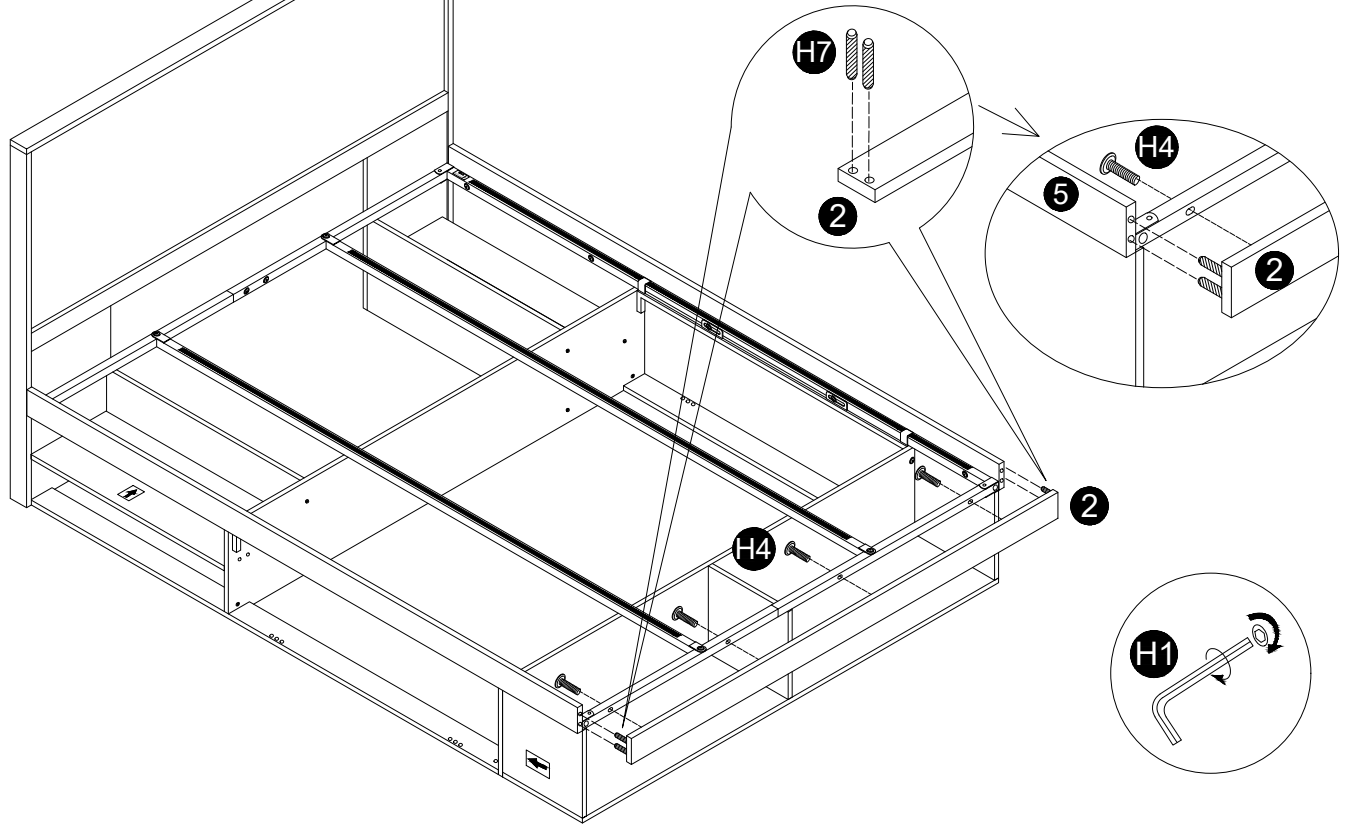
25



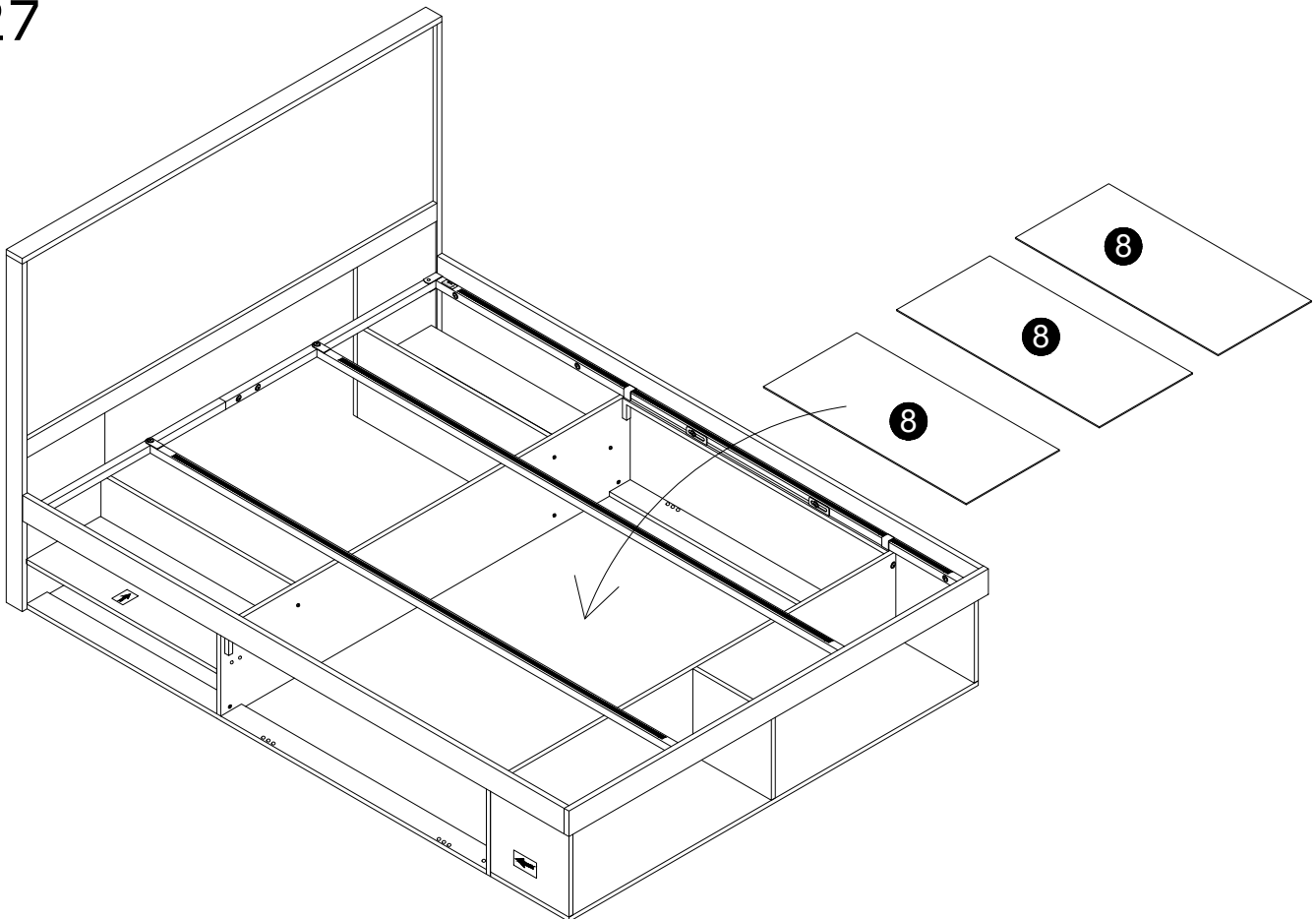
As shown in the diagram, align the screws with the corresponding holes and pre-fix them. Then, tighten each screw separately.

26

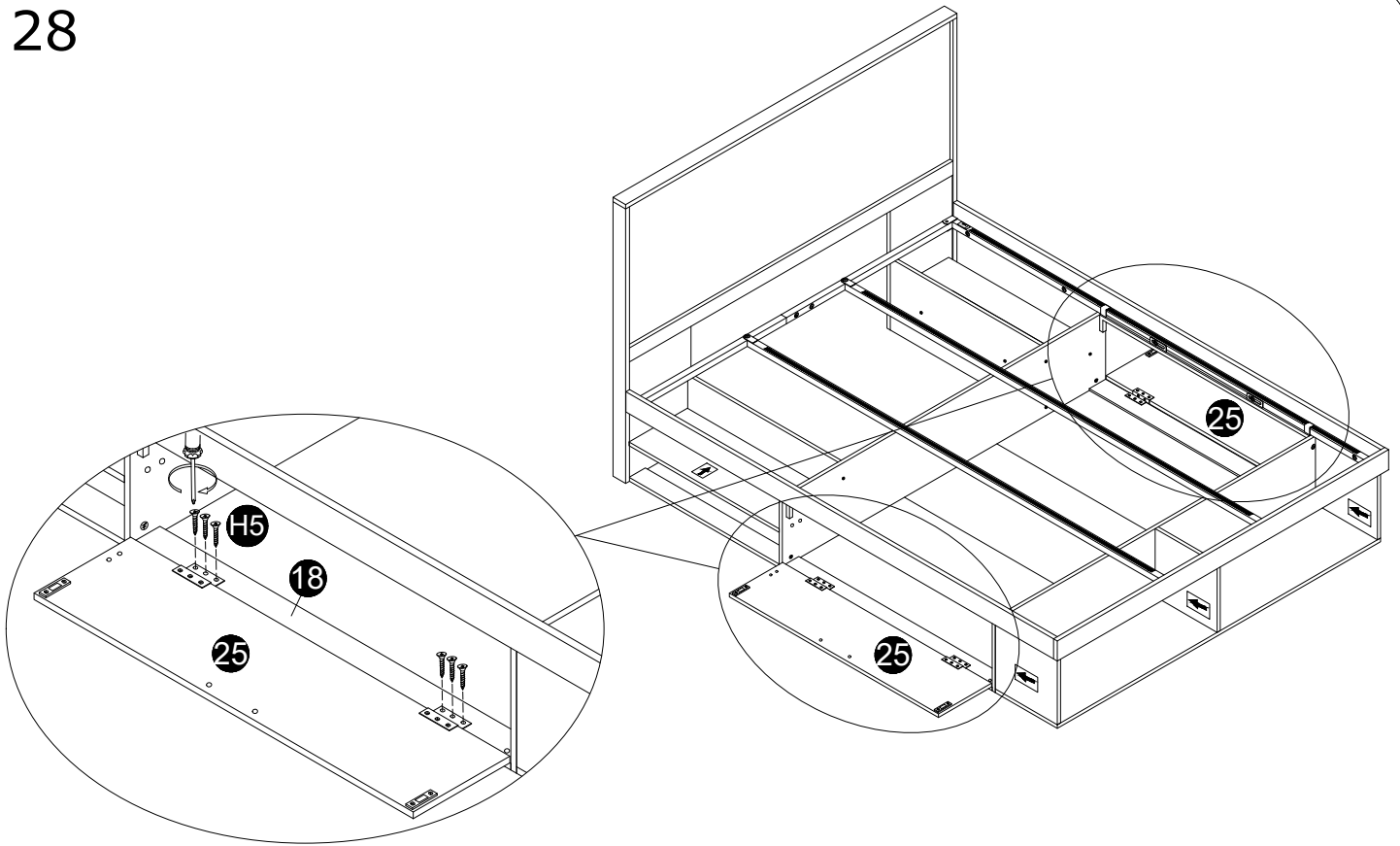
As shown in the diagram, align the screws with the corresponding holes and pre-fix them. Then, tighten each screw separately.



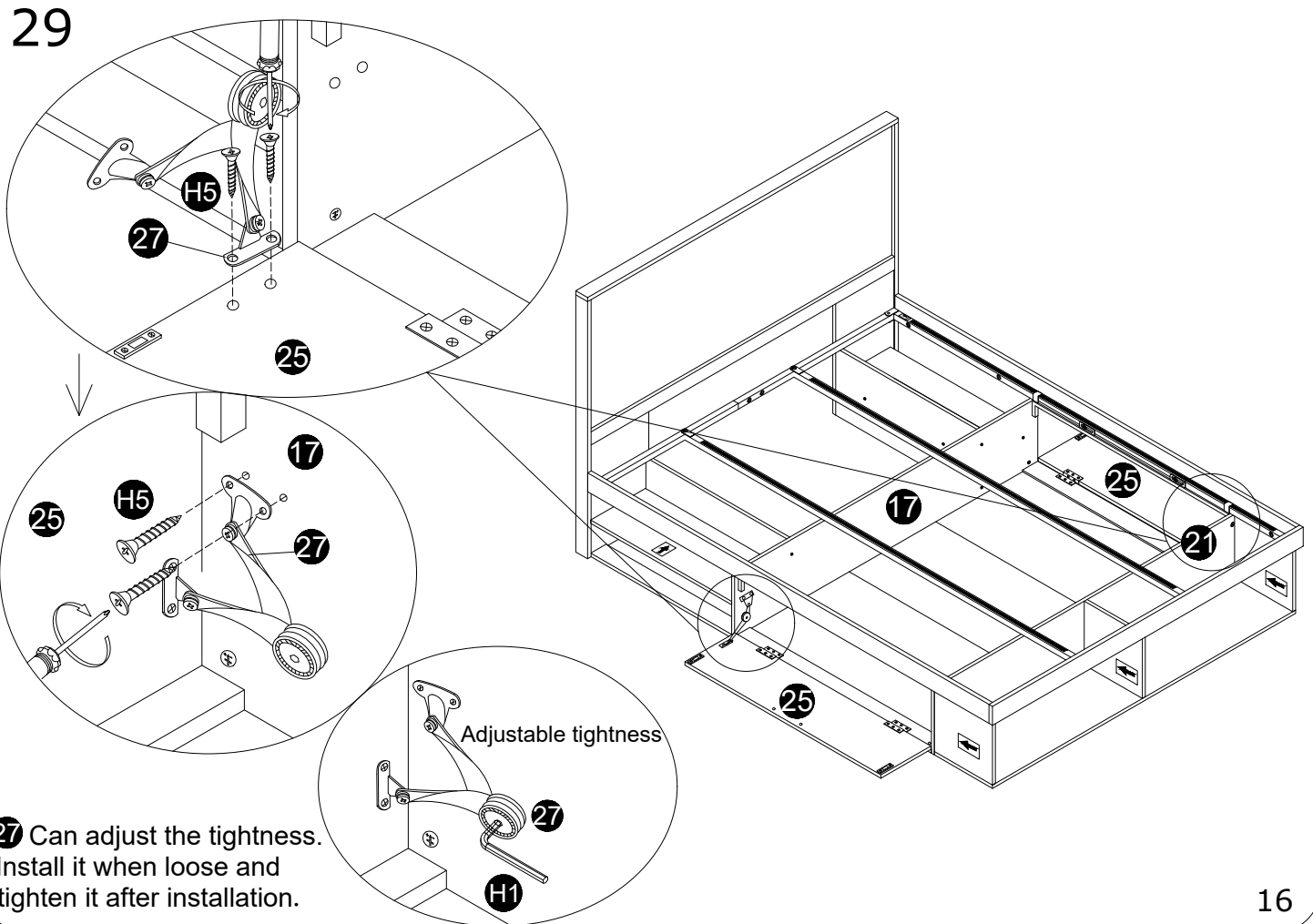
27



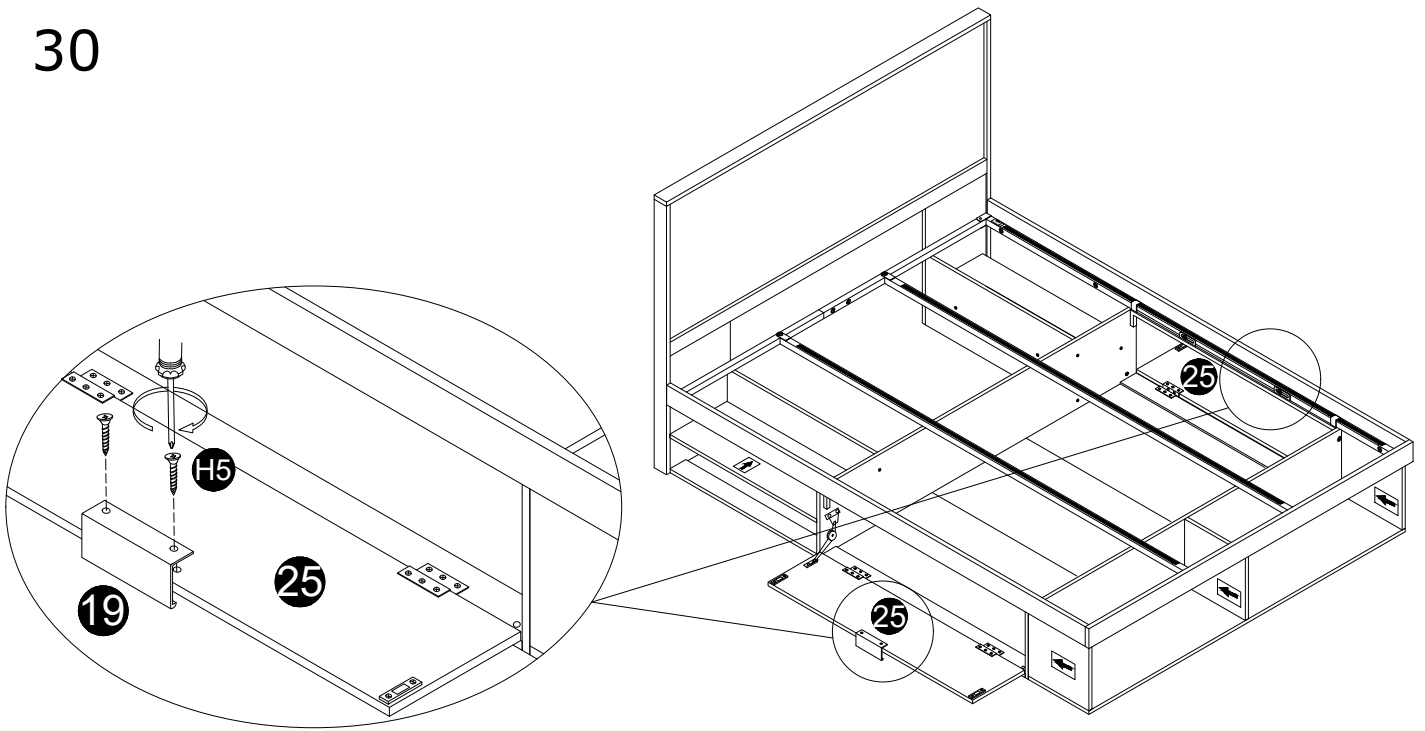
28



29



30



31

