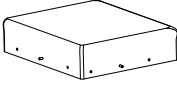
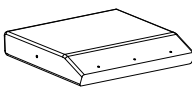
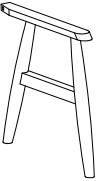
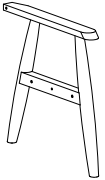


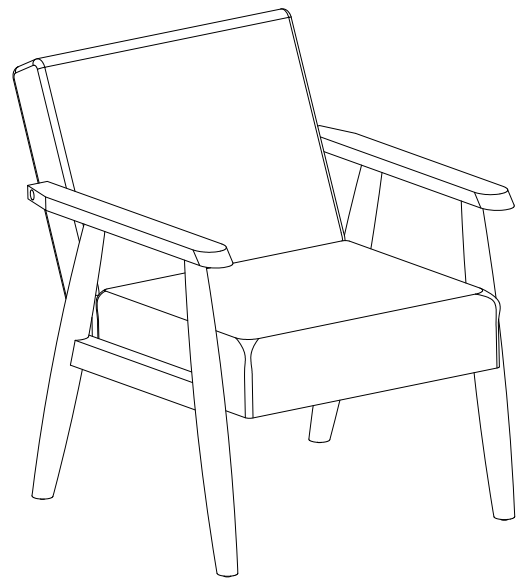


INSPIREDHOME®







# RAC308-03 ASSEMBLY INSTRUCTIONS

## Parts

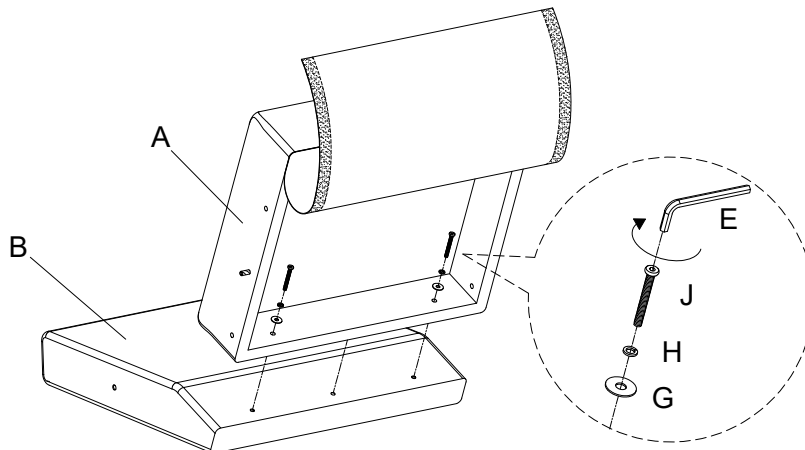
NO.	Picture	Description	Size	QTY
A		Chair Seat	22"x19"x5.5"	1
B		Backrest	22"x23"x4"	1
C		Left Frame	25"x23"x2.5"	1
D		Right Frame	25"x23"x2.5"	1



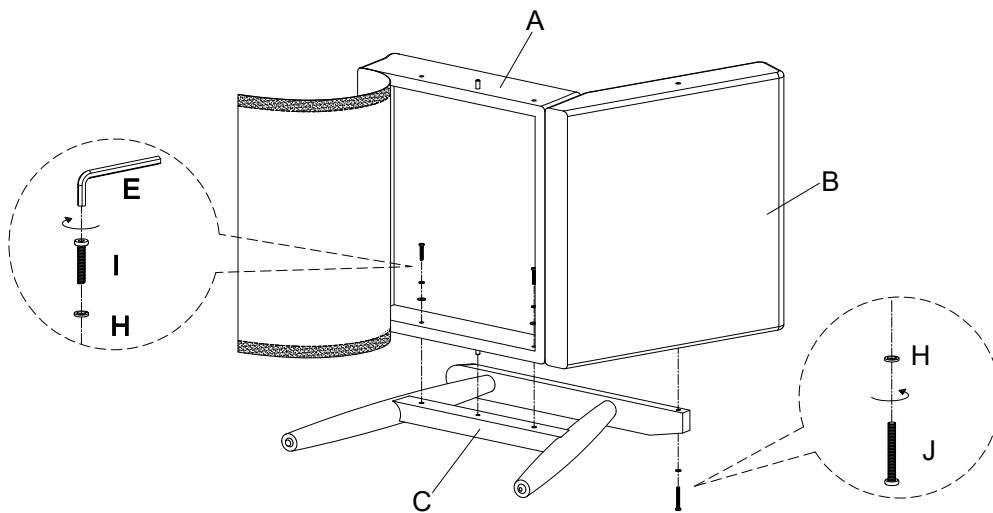
## Hardware

NO.	Picture	Description	Size	QTY
E		Allen Key	5/16"	1
F		Cork	Ø17mm	2
G		Flat Washer	Ø22mm	6
H		Spring Washer	Ø5/16"	8
I		Bolt	5/16"x1-3/4"	4
J		Bolt	5/16"x2-1/4"	4

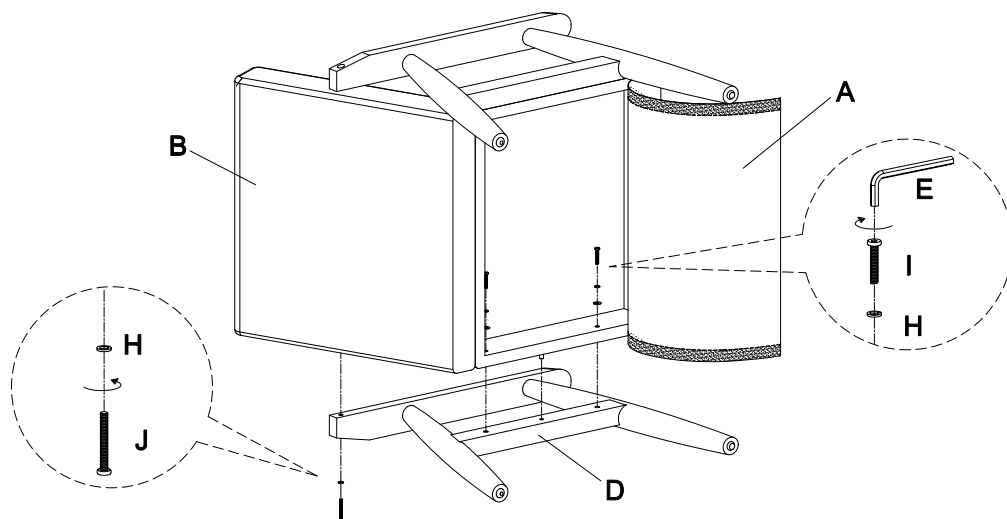
## STEP: 1



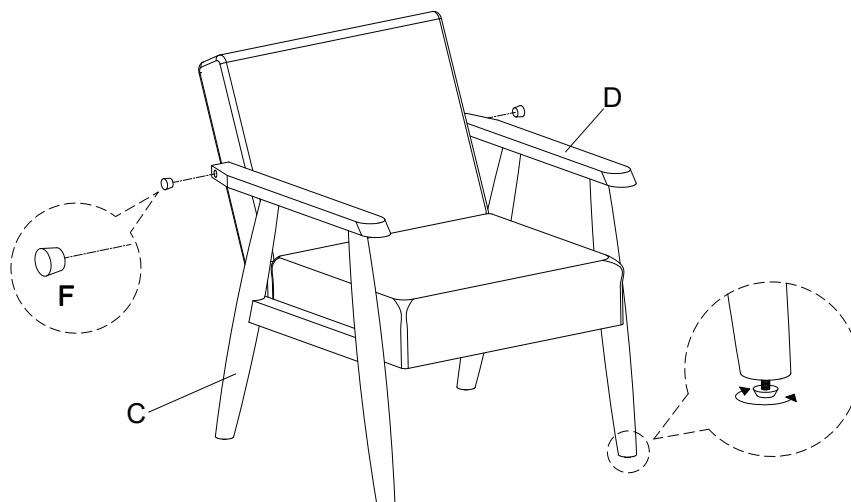
STEP:2



STEP: 3



STEP: 4



\*Do not tighten bolts until both screws are aligned then fully tighten.

Overall Size: 27"W x 30"D x 32.25"H