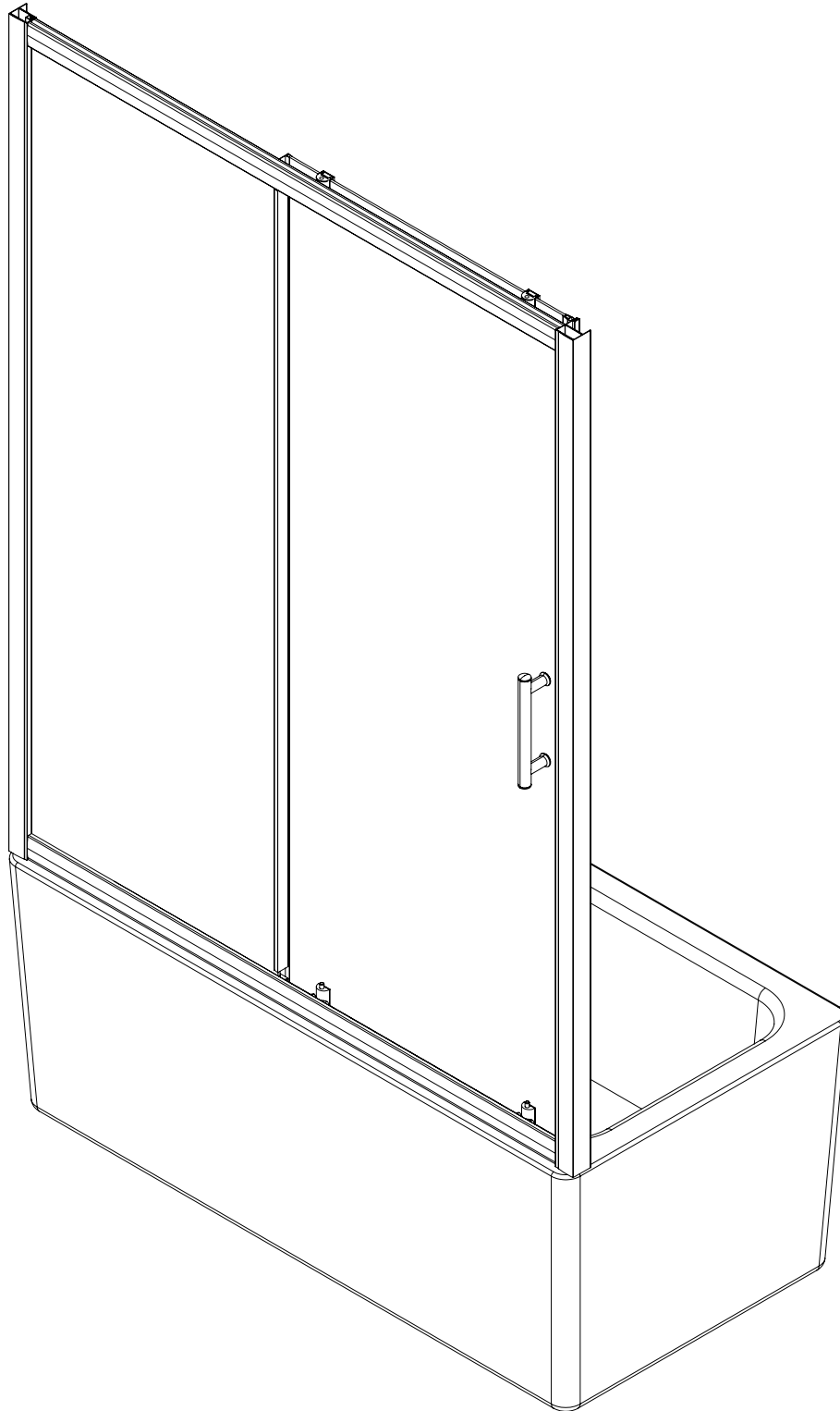
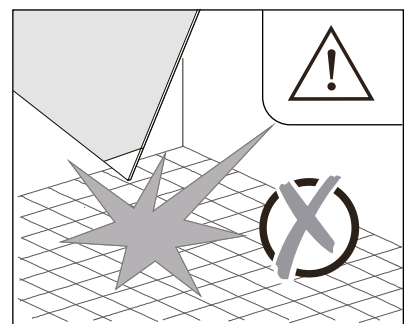
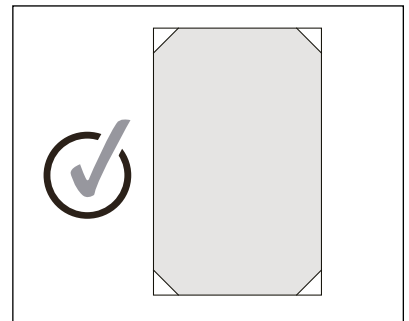
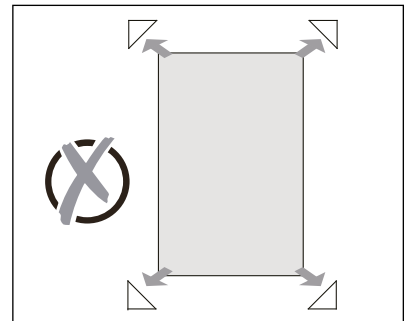
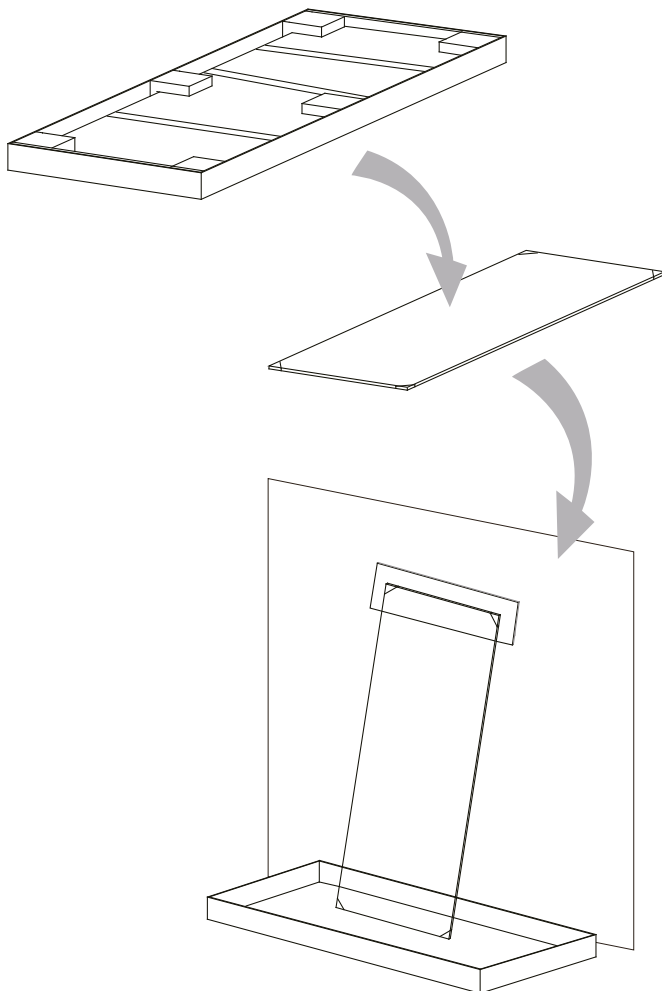
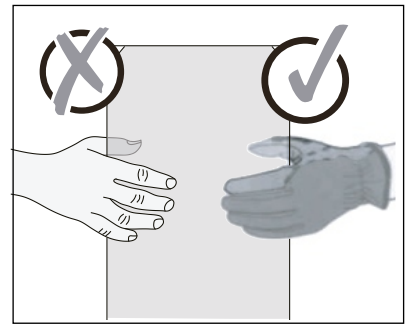
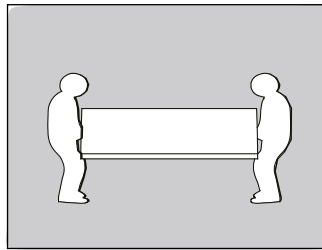
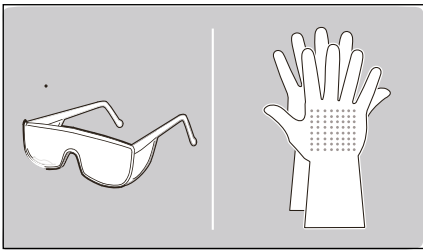
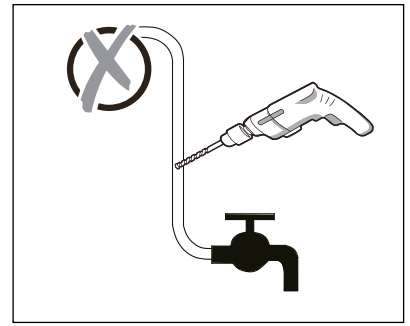
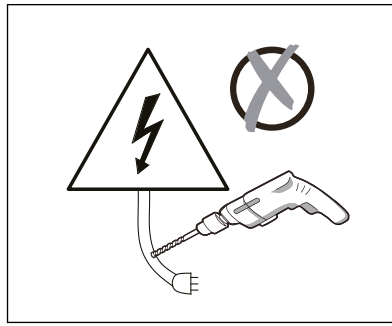
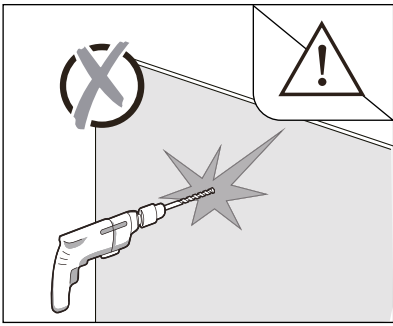


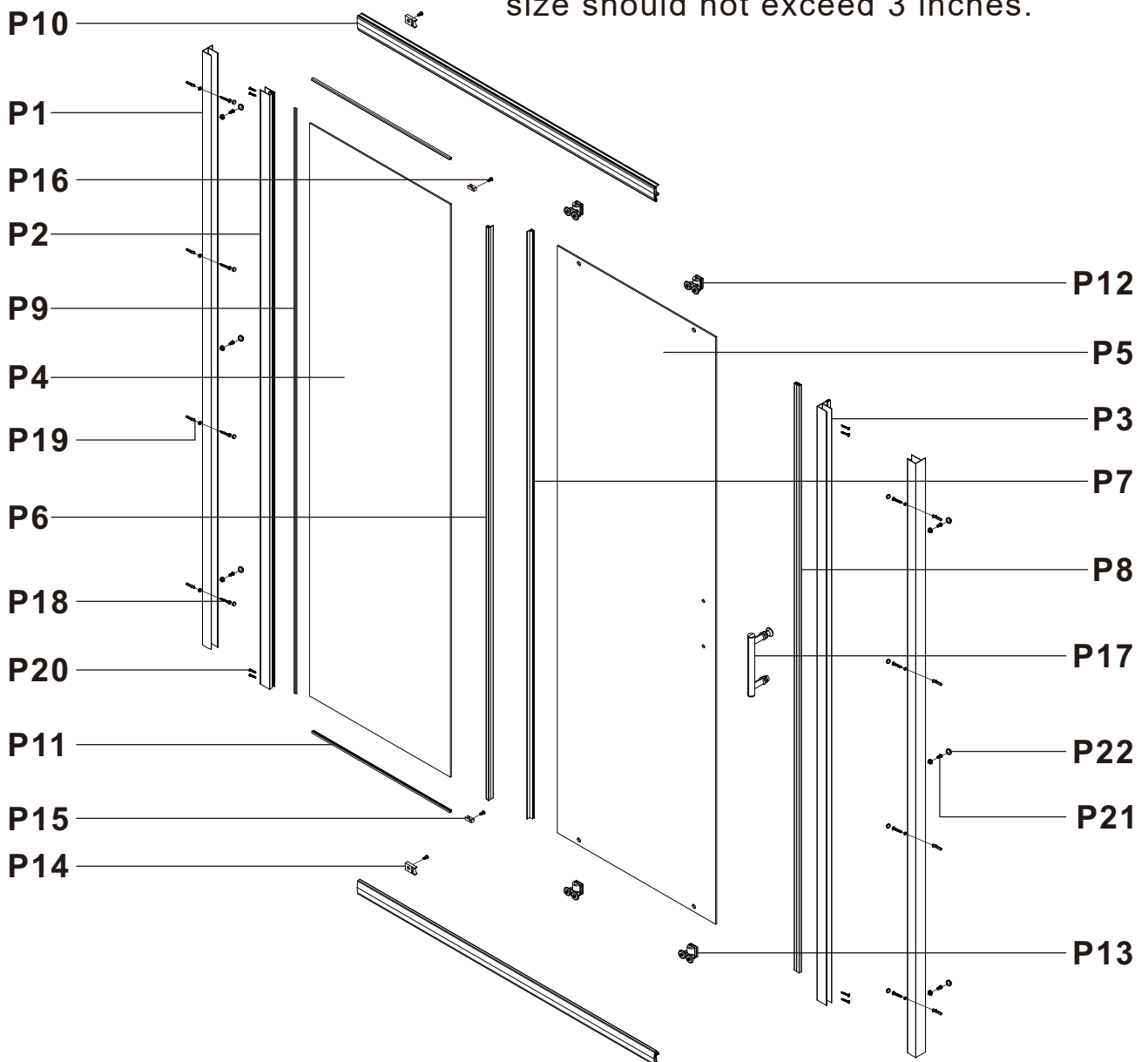
RDY05B-T60

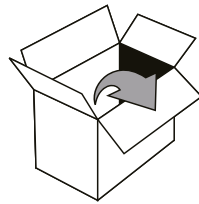


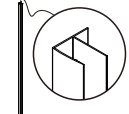
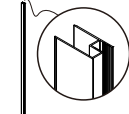
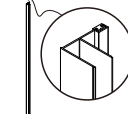

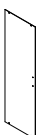
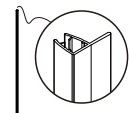
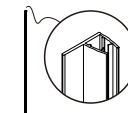
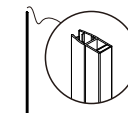
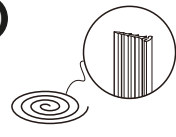
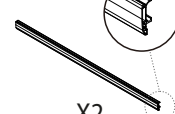

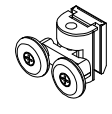
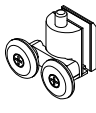
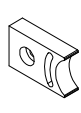
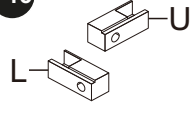

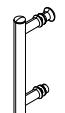

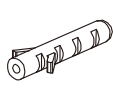


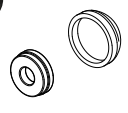


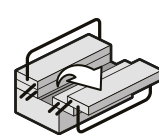
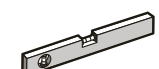


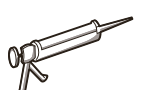



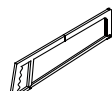


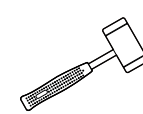
The default adjustable size is 0.6 inches on each side.

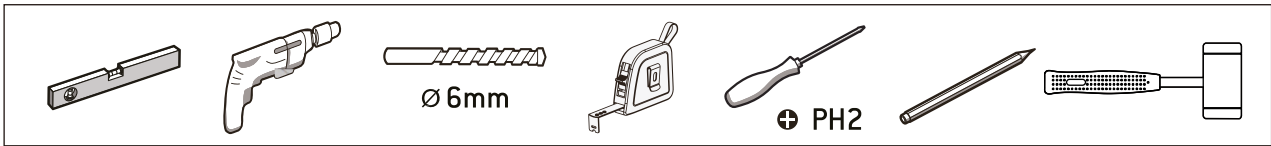
If cutting is required, only the movable door glass side can be cut, and it is recommended that the cutting size should not exceed 3 inches.





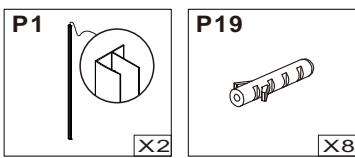
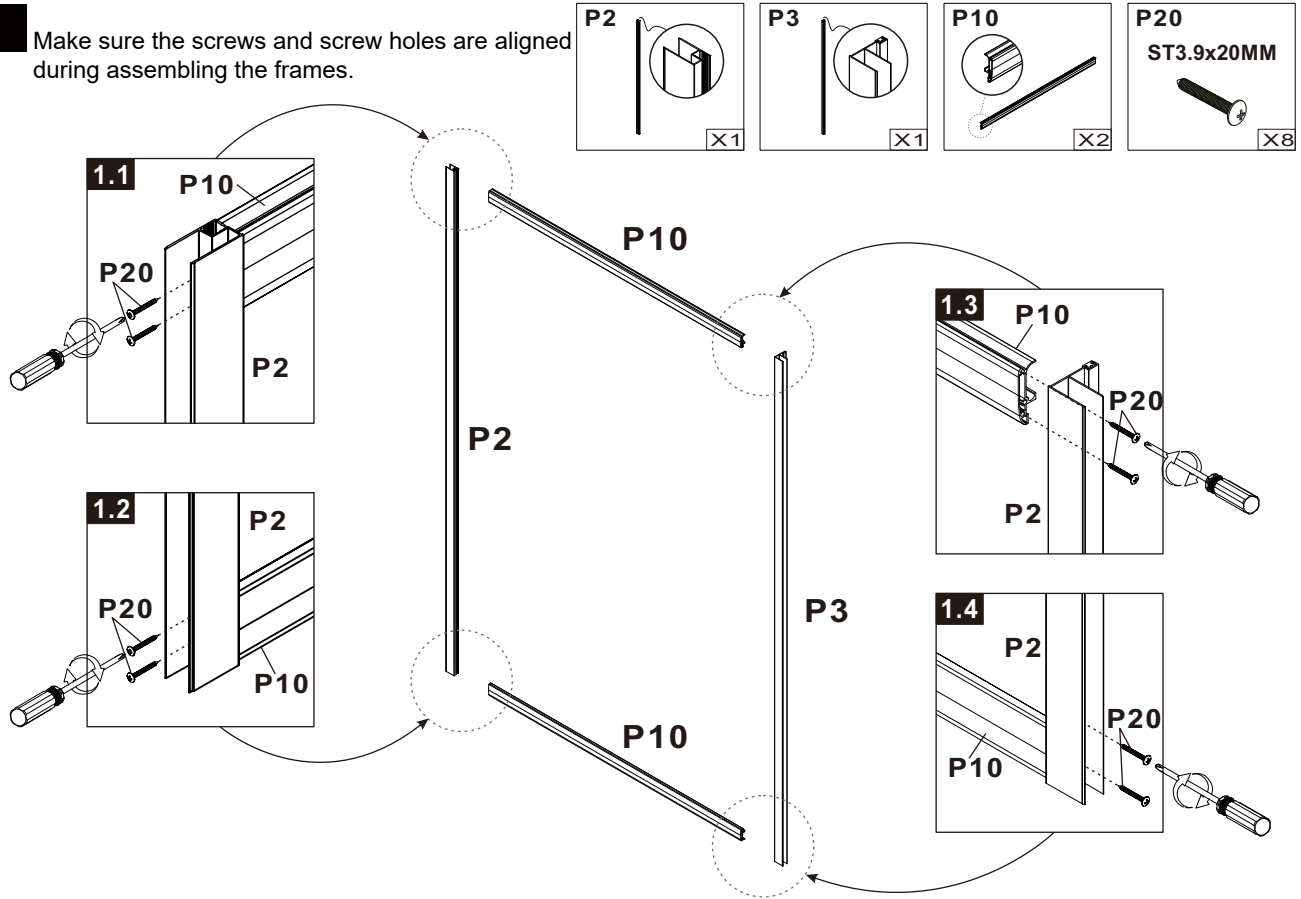
P1  X2	P2  X1	P3  X1	P4  X1
P5  X1	P6  X1	P7  X1	P8  X1
P9  X1	P10  X2	P11  X2	P12  X2
P13  X2	P14  X2	P15  X1	P16 ST4x11MM  X2
P17  X1	P18 ST3.5x30MM  X8	P19  X8	P20 ST3.9x20MM  X8
P21 ST4x10MM  X8	P22  X14		

	
	
 Ø 6mm	
	
 ⊕ PH2	
 Ø 3mm	
	

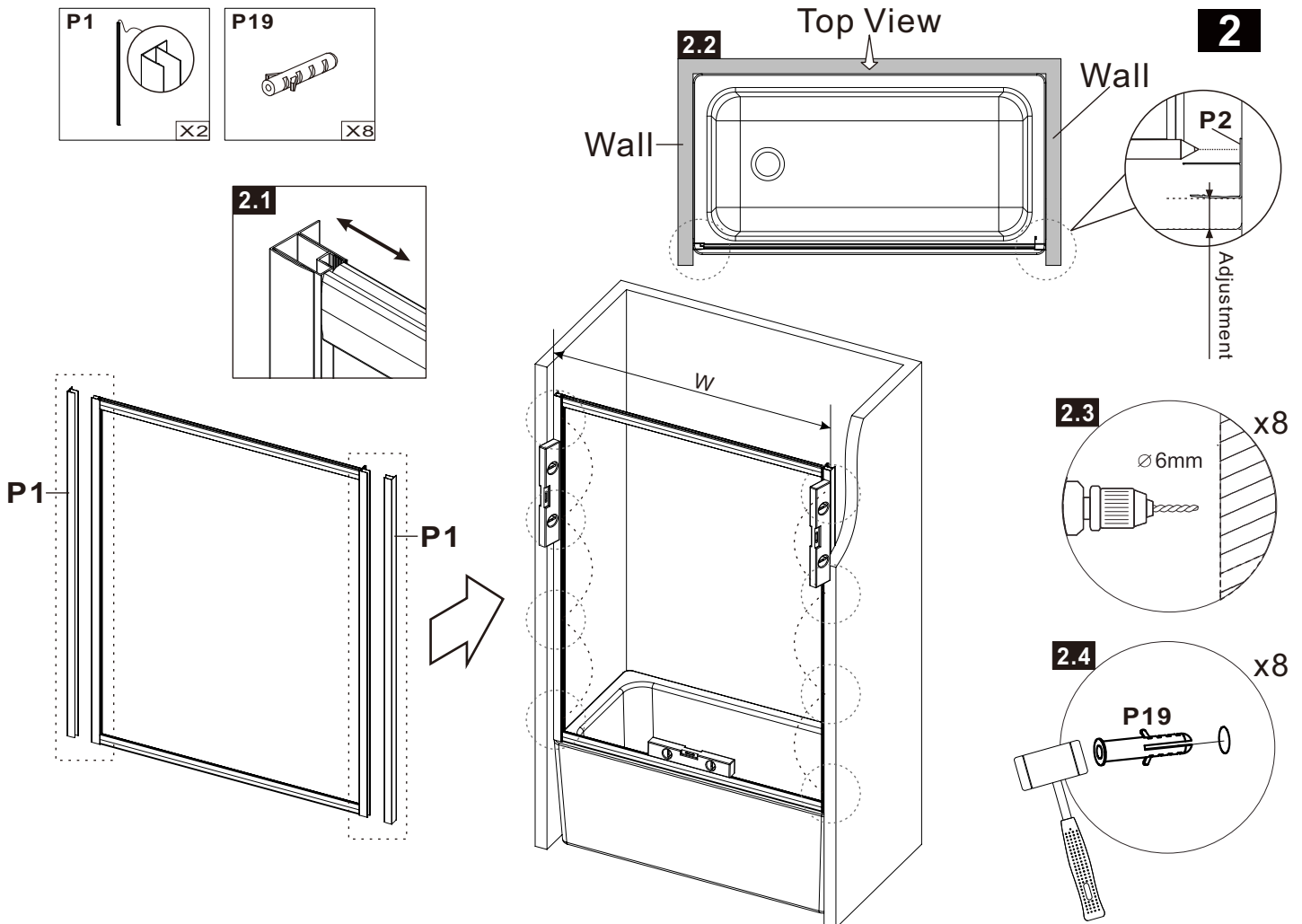


5

1 Make sure the screws and screw holes are aligned during assembling the frames.



2



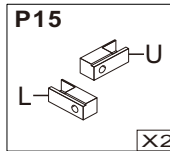
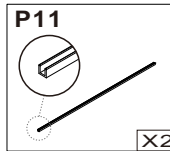
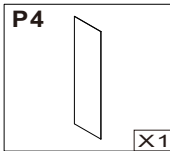
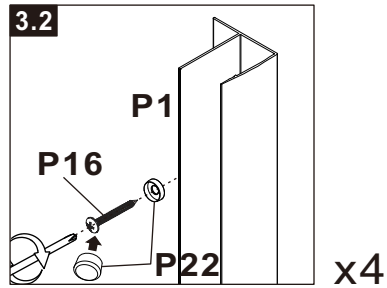
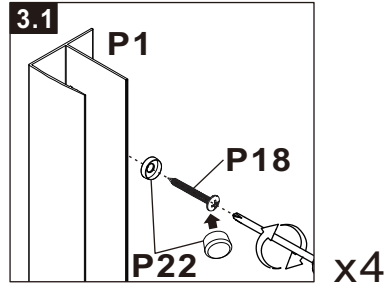
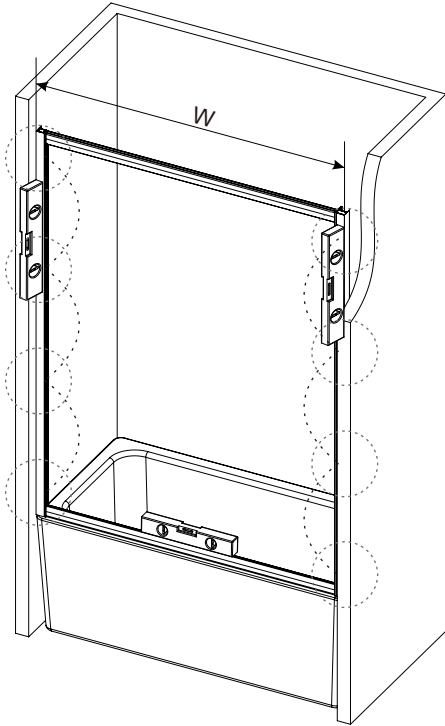
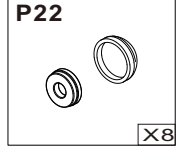
Assemble the frames and use a level to measure the left, right and bottom to ensure that the wall is flat. Then use a pencil to position P1 frame and the wall then install the expansion screws.

6

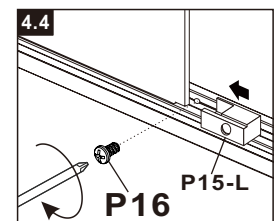
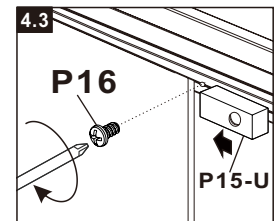
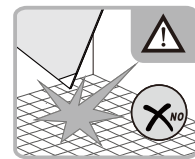
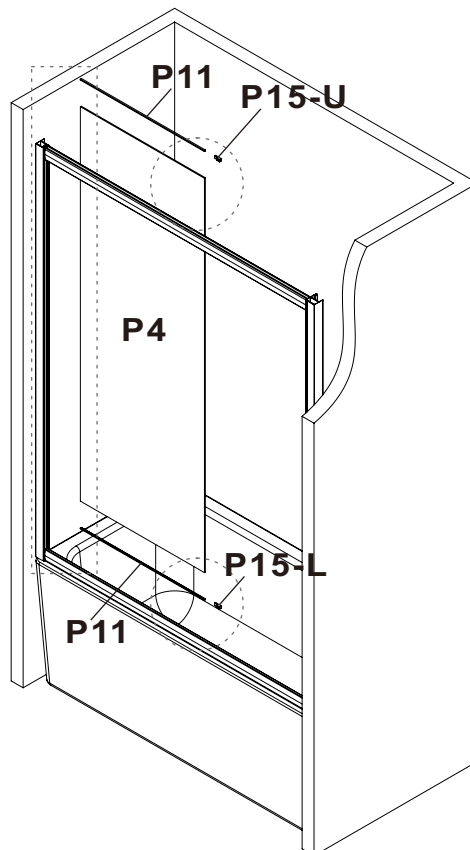
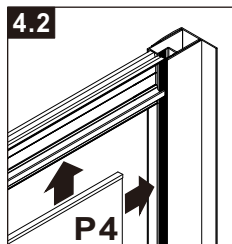
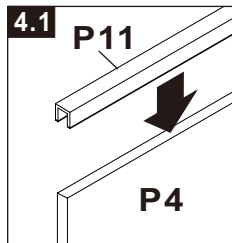


3

Screw the frames P1 with P22(gasket)+P18+P22(cap)



4



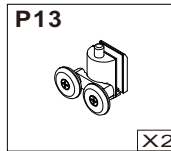
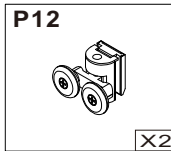
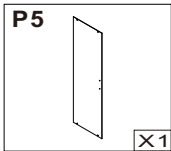
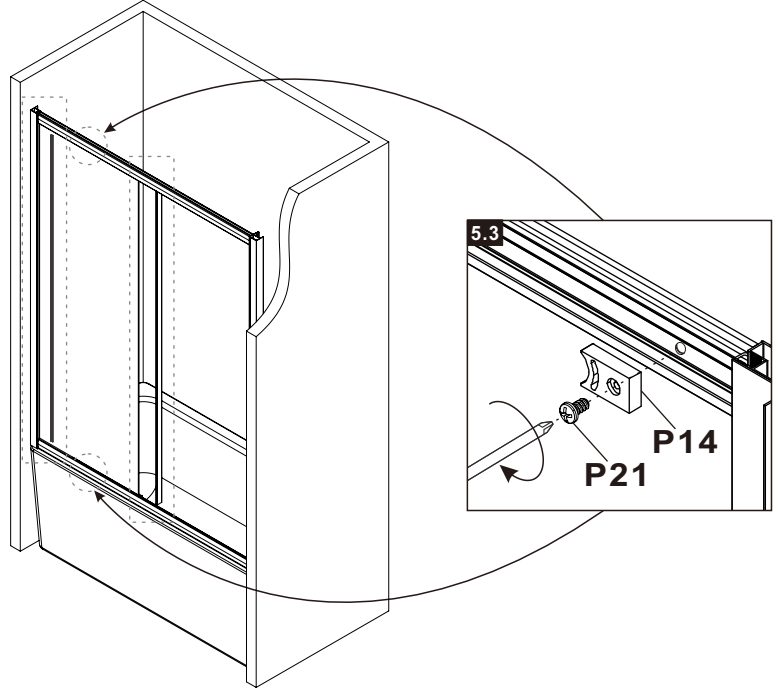
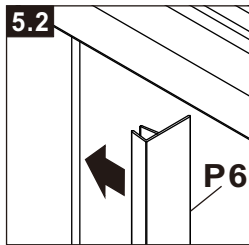
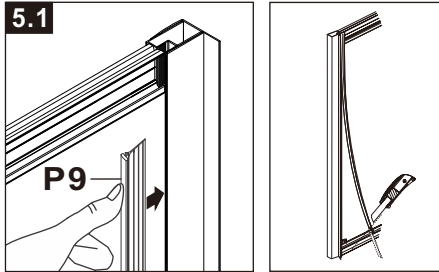
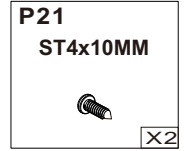
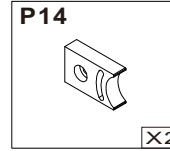
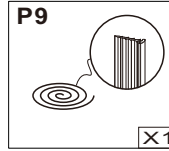
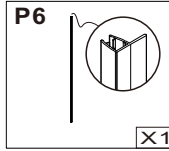
During installing the glass and the blocks(P15), be careful to avoid collision between the glass corners and the ground,which may cause the glass to break.



PH2

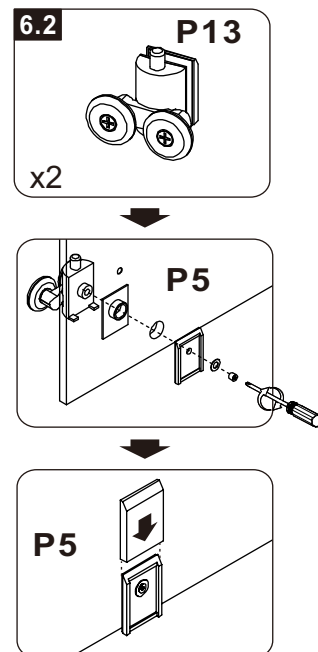
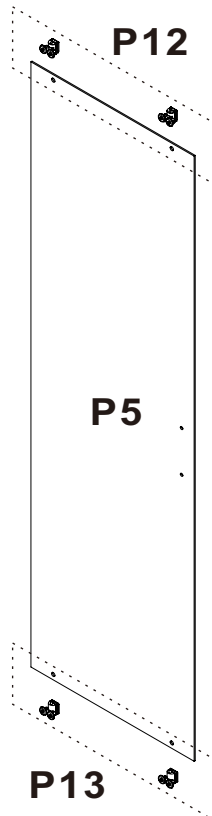
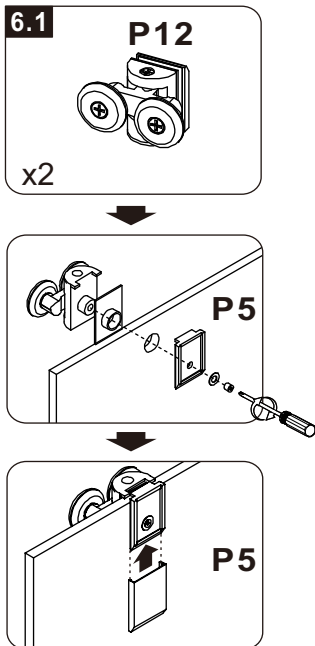
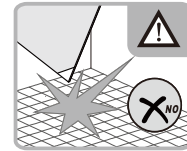
5

Assemble the sealing strip by pressing, and cut the excess sealing strip after adjustment; then assemble the strip P6 and the positioning block P14.



Assemble the wheels. Note that P12 is the upper wheel and P13 is the lower wheel (with adjustment buttons).

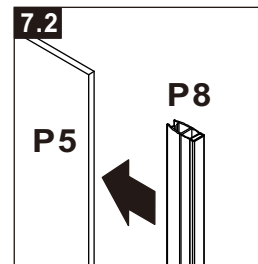
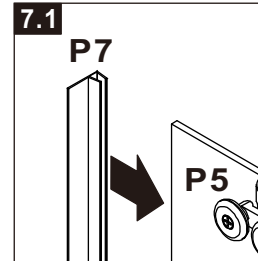
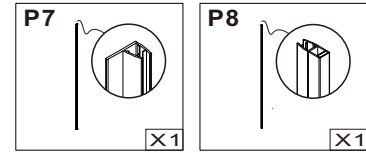
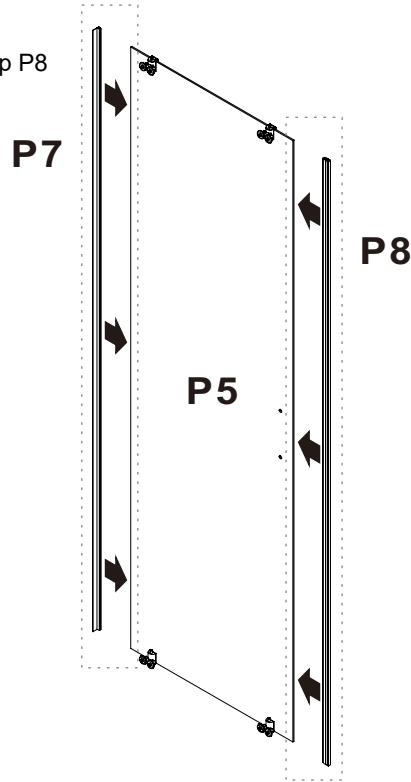
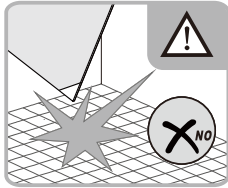
6





7

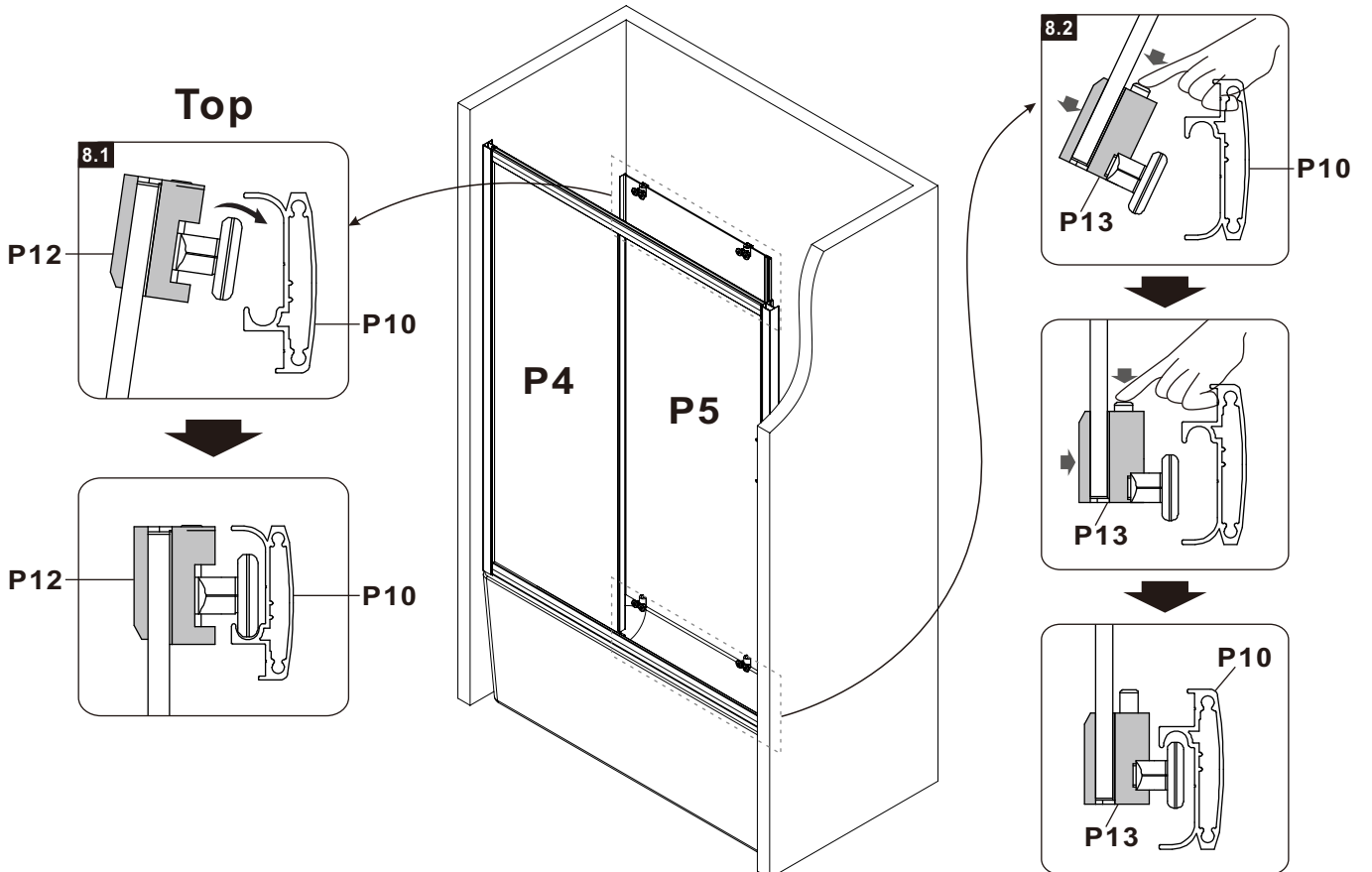
Install sealing strip P7 and magnetic strip P8

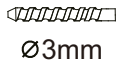


Assemble the sliding door: first hang the upper rollers P12, then hang the lower rollers P13. The lower rollers needs to press the button to snap in place.

8

Bottom





Ø3mm



⊕ PH2

9

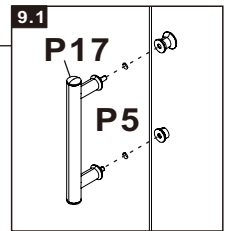
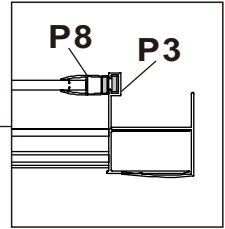
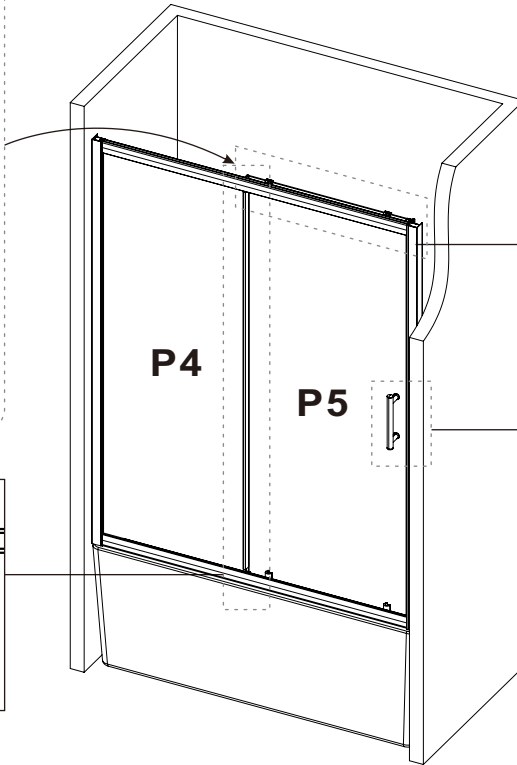
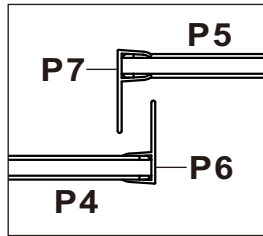
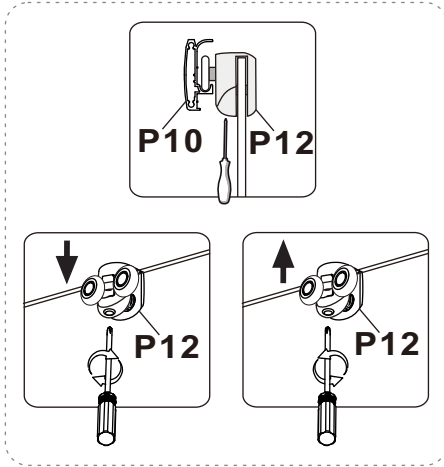
9

The sliding door can be adjusted by adjusting P12 and P10. After adjustment, install the handle.

P17



X1



P21

ST4x10MM



X6

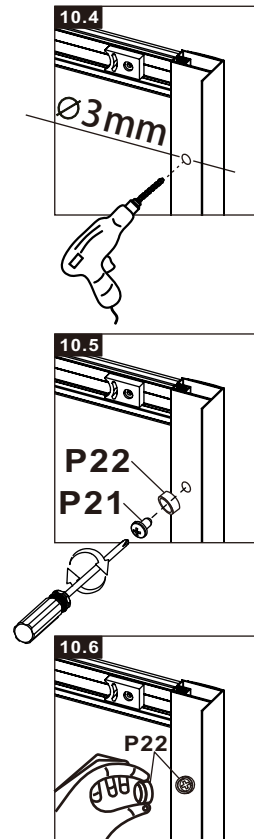
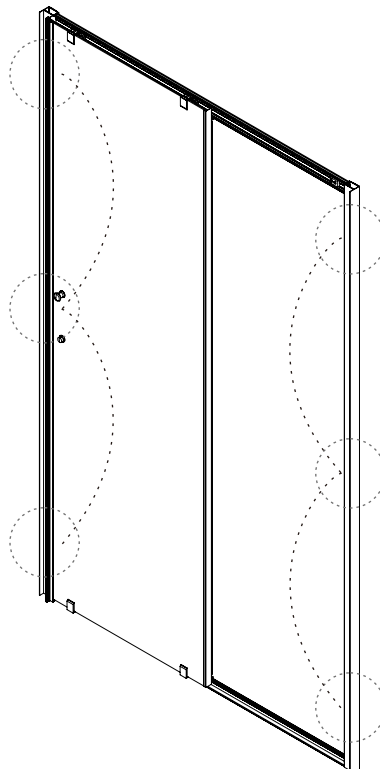
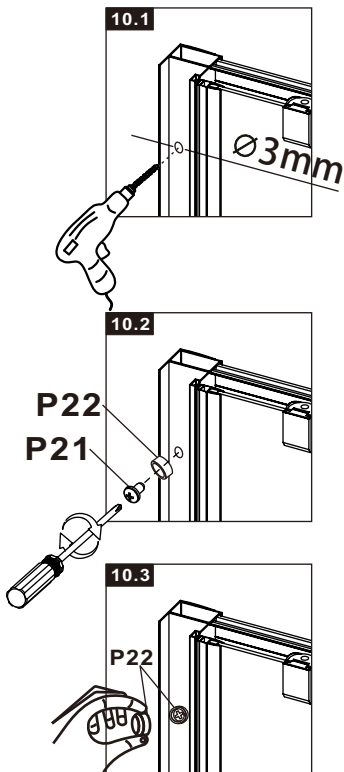
P22

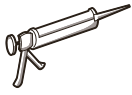


X6

Use self-tapping screws P22(gasket)+P21+P22(cap) to fix the frame, and do not drill into the glass !

10



**11**

Apply waterproof silicone caulk sealant and keep it still for 24 hours before use.

