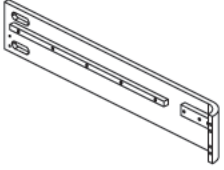
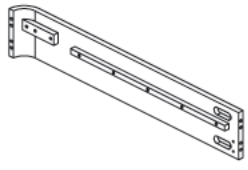
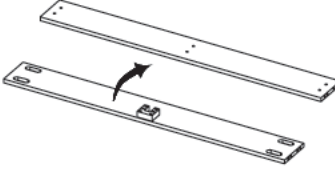
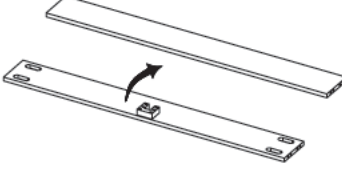

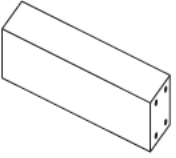
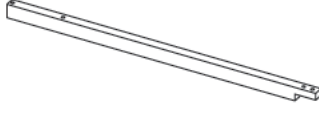
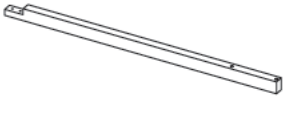
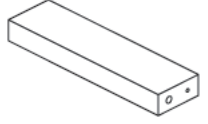
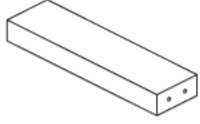
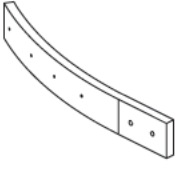
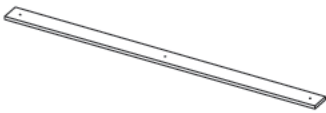






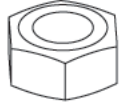



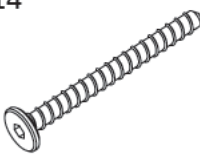


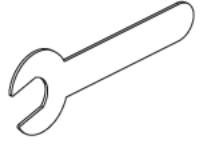
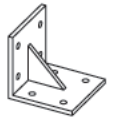
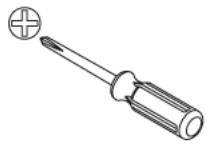
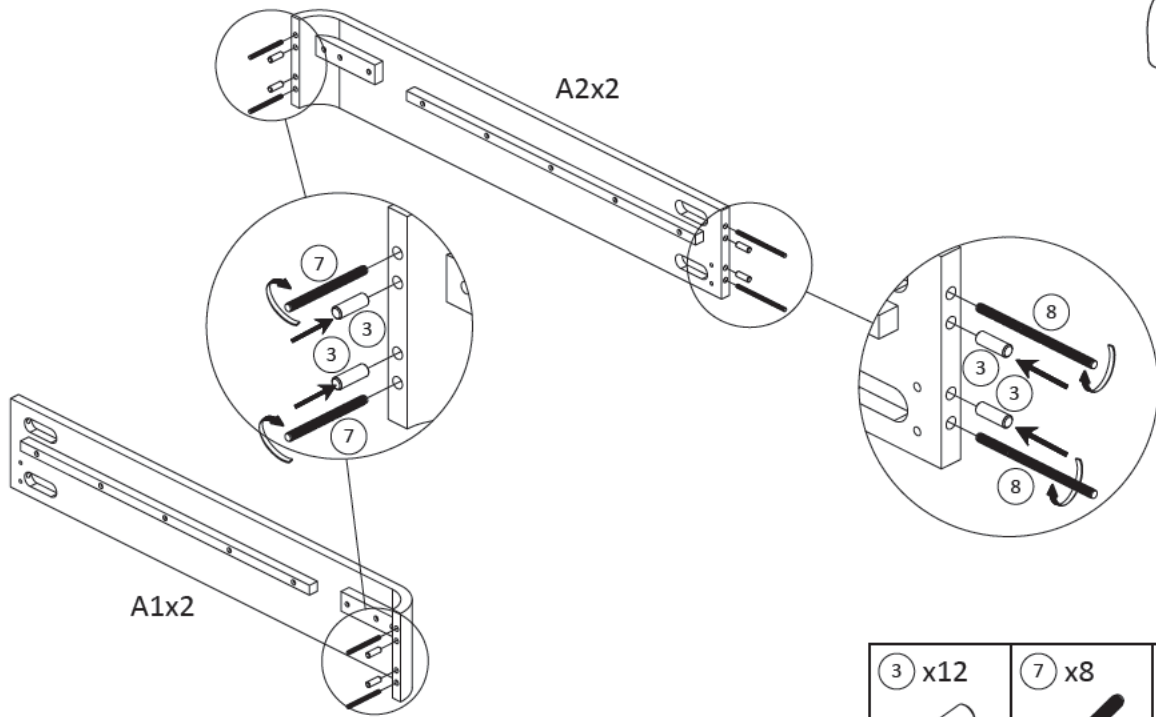


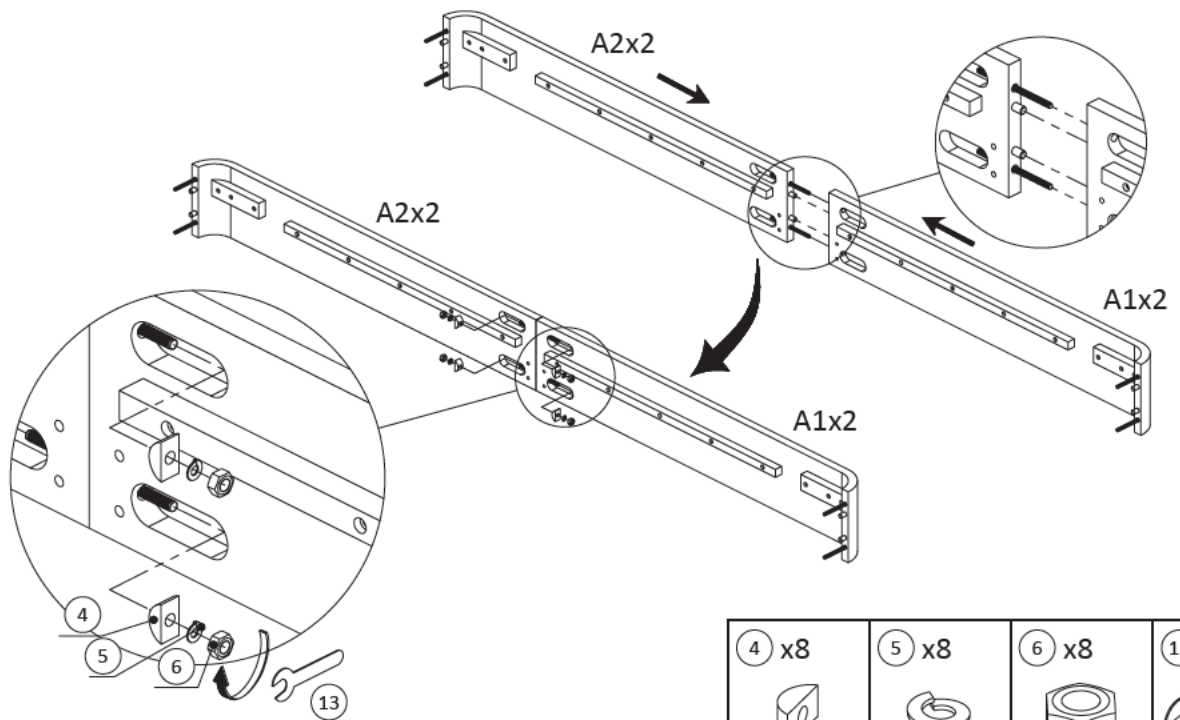
A1x2 	A2x2 	Bx1 	Cx1 
Dx3 	Ex6 	Fx1 	Gx1 
Hx2 	Ix1 	Jx3 	Kx1 
Lx3 	① x36  M6x $\frac{20}{0.8}$	② x6  M8x $\frac{20}{0.8}$	③ x26  M10x $\frac{30}{1.2}$
④ x16  $\frac{20 \times 10}{0.8 \times 0.4}$	⑤ x16  M6x $\frac{10}{0.4}$	⑥ x16  M6x $\frac{6}{0.2}$	⑦ x8  M6x $\frac{80}{3.1}$
⑧ x4  M6x $\frac{120}{4.7}$	⑨ x4  M4x $\frac{45}{1.8}$	⑩ x14  M6x $\frac{60}{2.4}$	⑪ x24  M6x $\frac{35}{1.4}$
⑫ x1  K4	⑬ x1  K13	⑭ x6  $\frac{75 \times 75 \times 75}{3.0 \times 3.0 \times 3.0}$	Not provided x1 

1



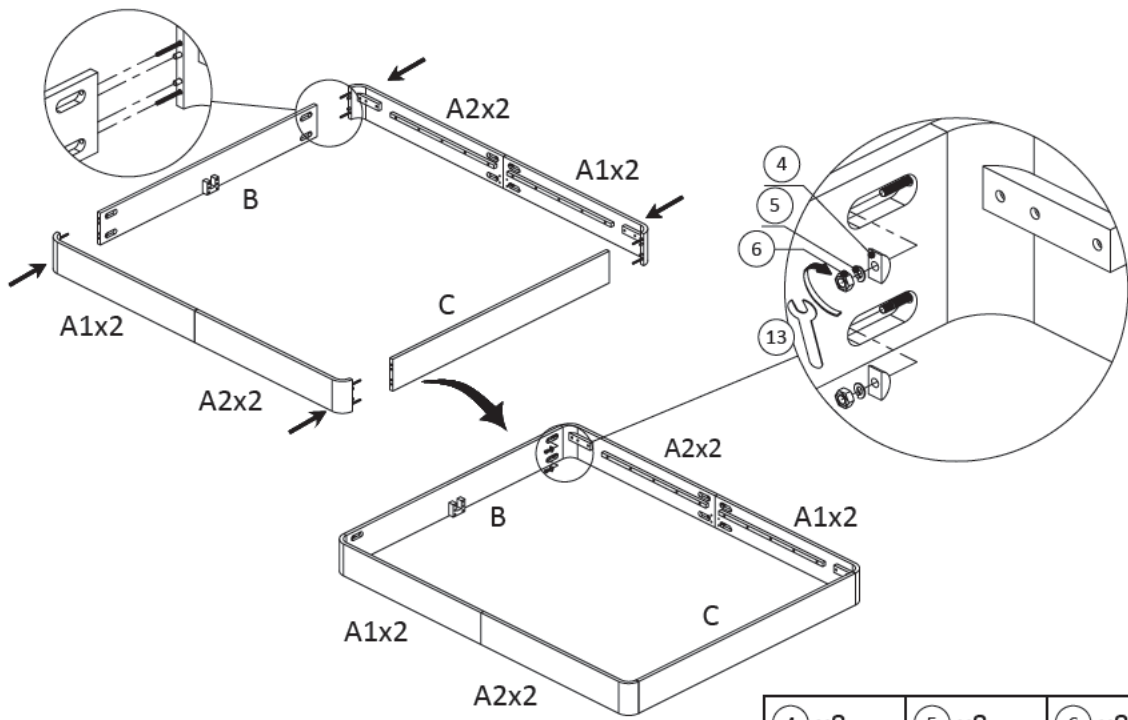
3 x12	7 x8	8 x4

2



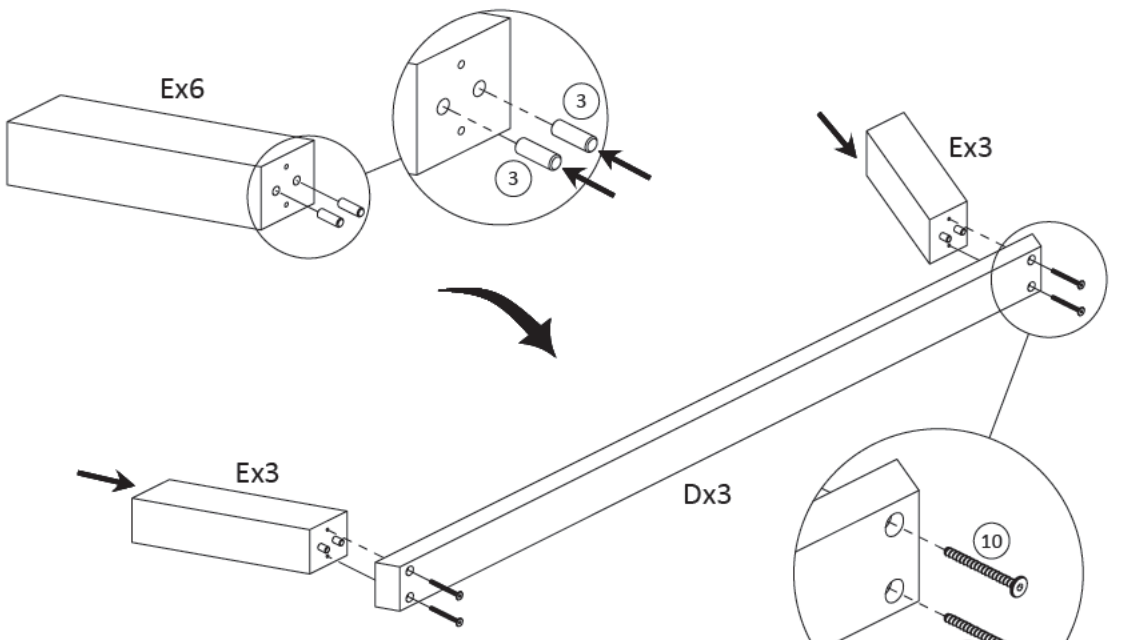
4 x8	5 x8	6 x8	13 x1

3



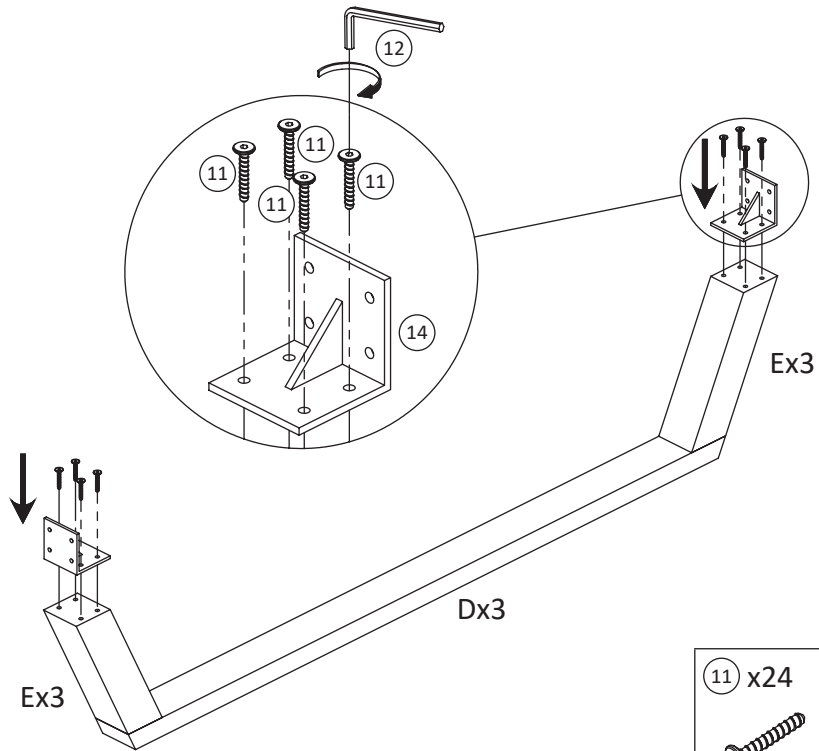
4 x8	5 x8	6 x8	13 x1



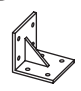
4



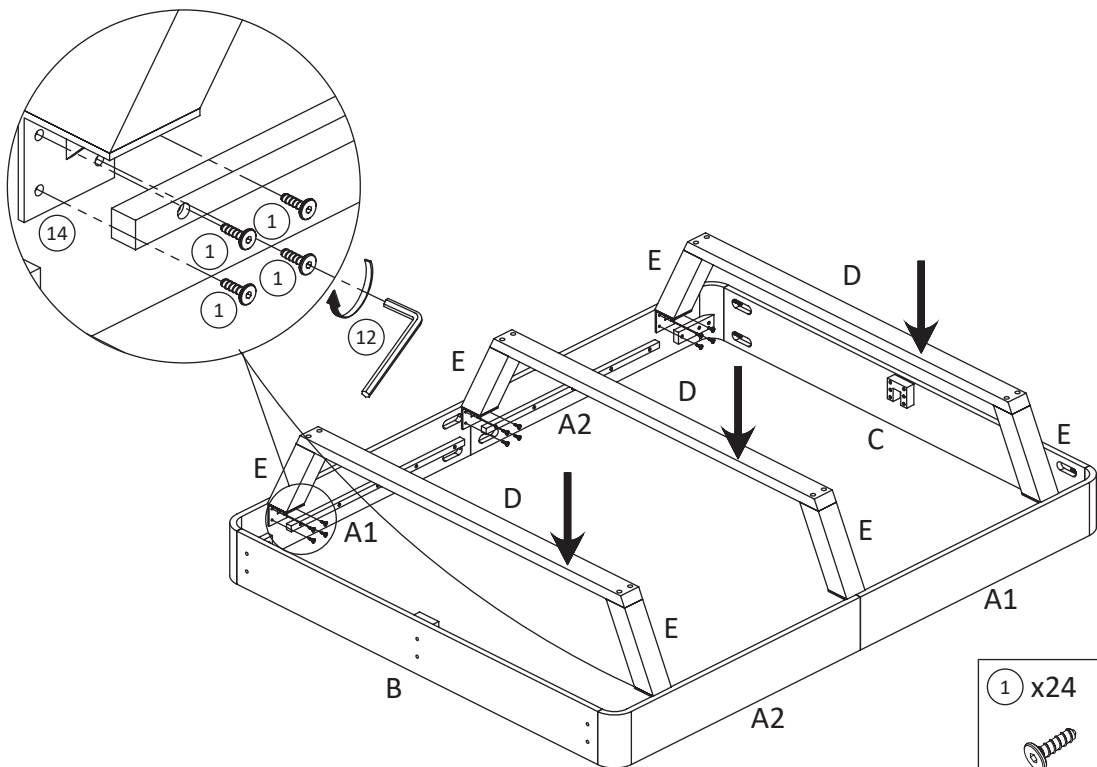
3 x12	10 x12	12 x1



5



11 x24	12 x1	14 x6
		

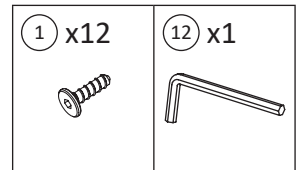
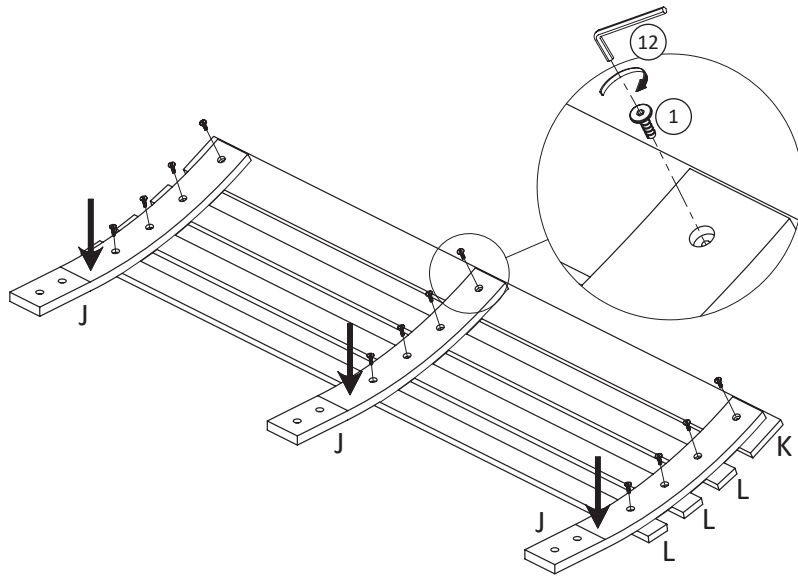
6



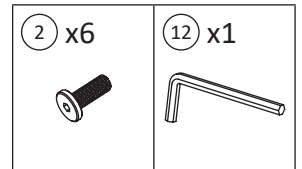
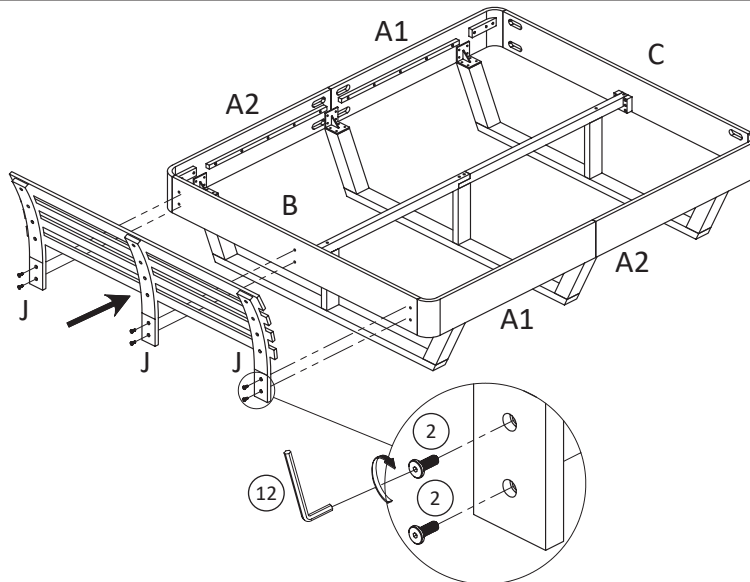
1 x24	12 x1
	



9



10



11

