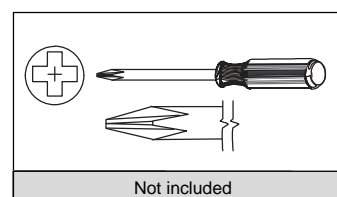
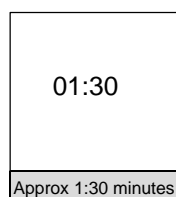
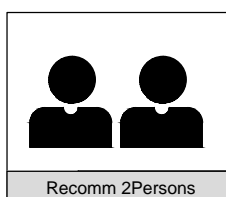
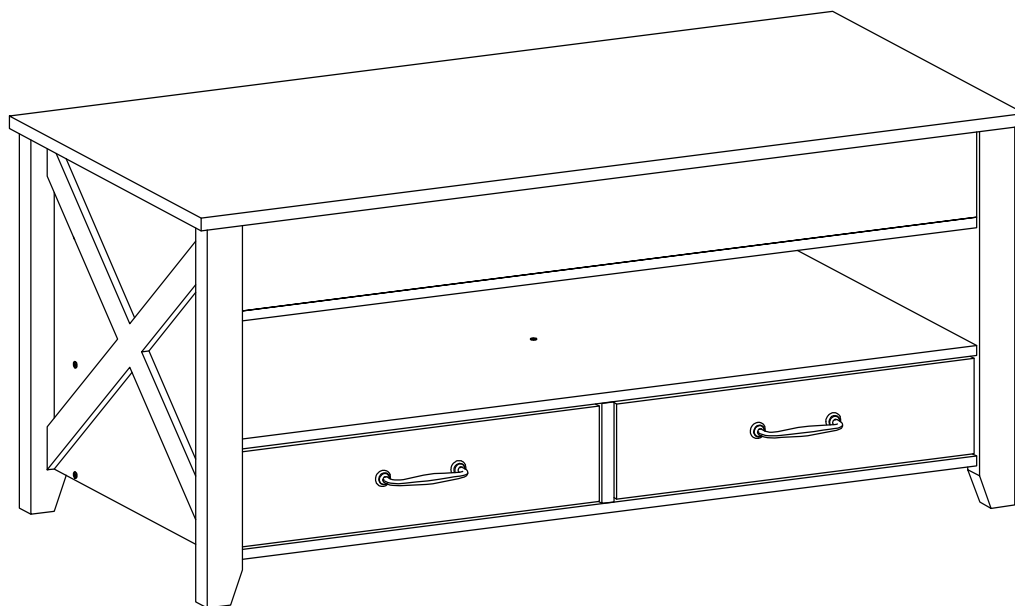
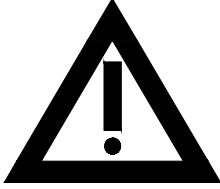


# ***Assembly Instruction***

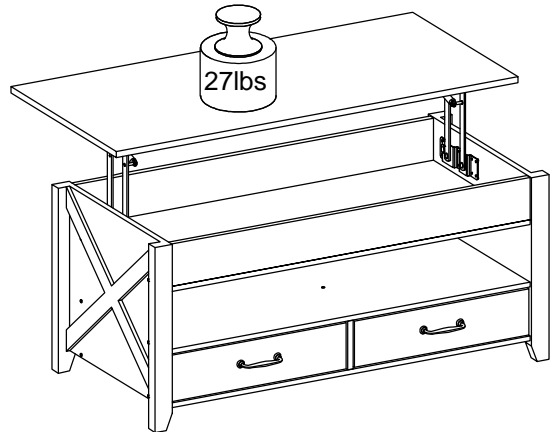
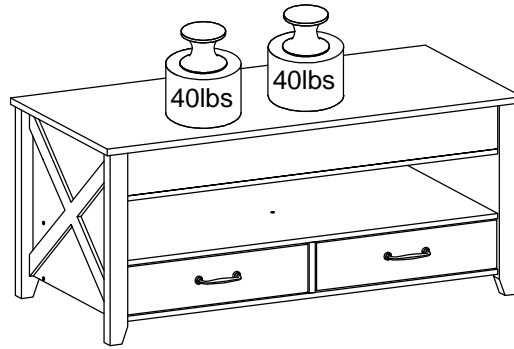
## **Lift top coffee table**



## Recommended Maximum Weight



# WARNING



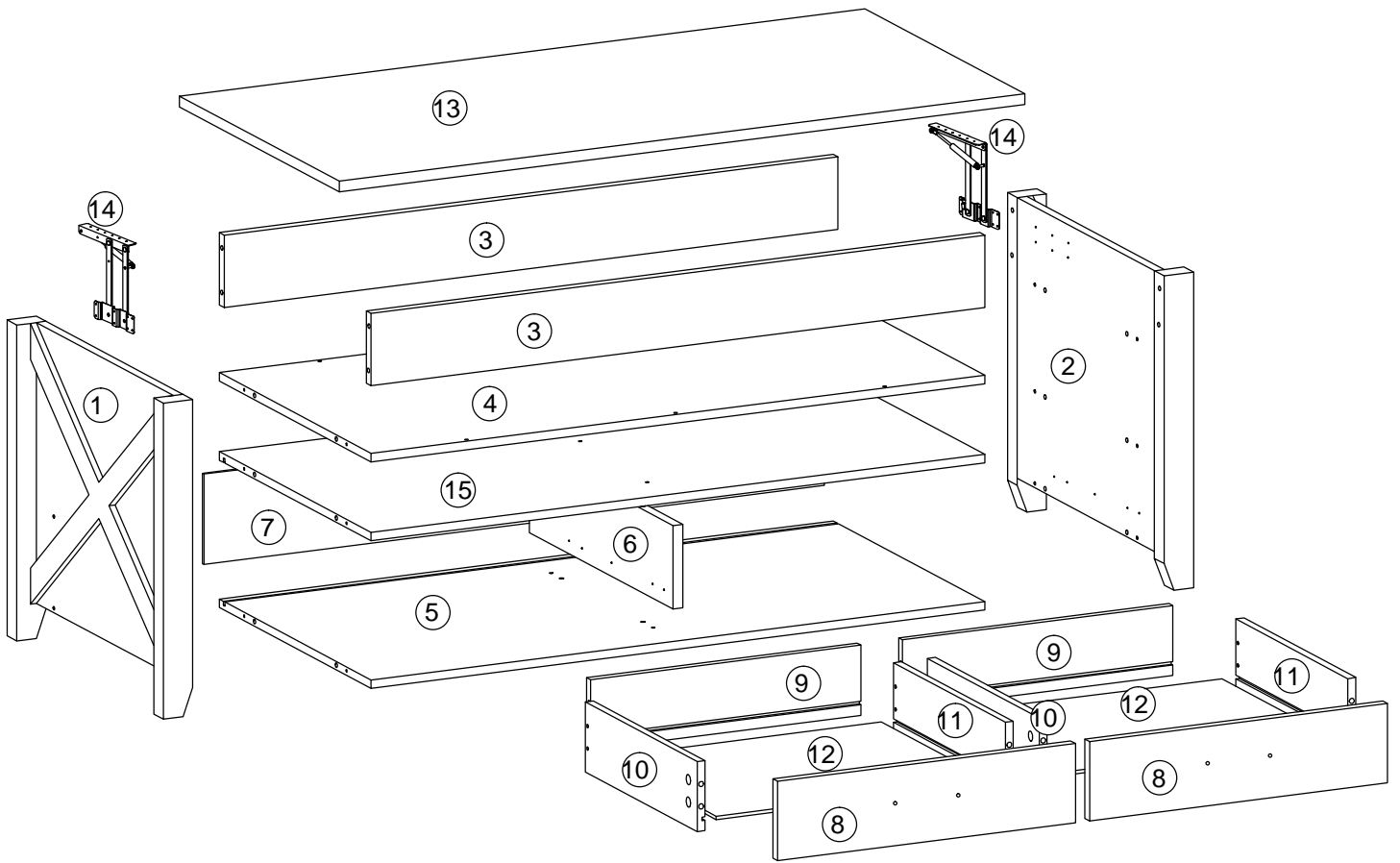
### **Read all instructions before using this product.**

1. This unit has been designed to support the maximum loads shown. Exceeding these load limits could cause sagging, instability, product collapse, and/or serious injury.
2. Avoid sharp objects and corrosive chemicals to prevent damage to the product or bodily injury.
3. Not intended for use in humid environment to prevent mildew, such as bathrooms, laundry areas and similar indoor locations. Do not use outdoors.
4. Don't allow anybody stand or climb on the unit. Serious or fatal crushing injuries can occur from furniture tip over.

### **Useful Hints before you start:**

1. Place soft packaging material on the floor to protect surface of product during assembly work.
2. It is important that each step is performed in correct order to avoid difficulties.
3. Align all screws with corresponding pre-drilled holes first and tighten.
4. Screws may become loose during long-term use, retighten them to ensure stability and security.
5. Using incompatible hardware might cause damage to product.

# Parts Identification



# Hardware Identification



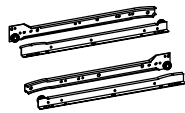
Allen Bolt  
Ø5\*40mm

A\*22+2



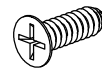
Ø6\*30mm

B\*28+2



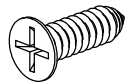
14" (350mm)

C\*2



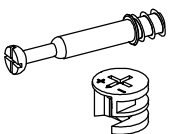
3.5\*12mm

D\*24+2

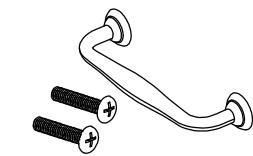


3.5\*16mm

E\*24+2

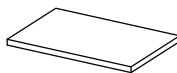


F\*8+1



M4\*18mm

G\*2



H\*4



3.5\*30mm

I\*8+2

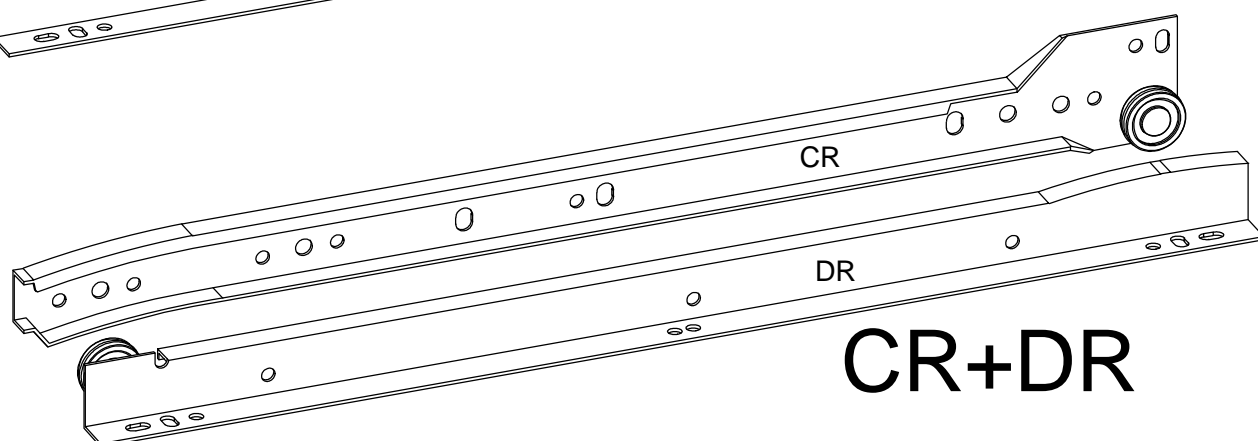
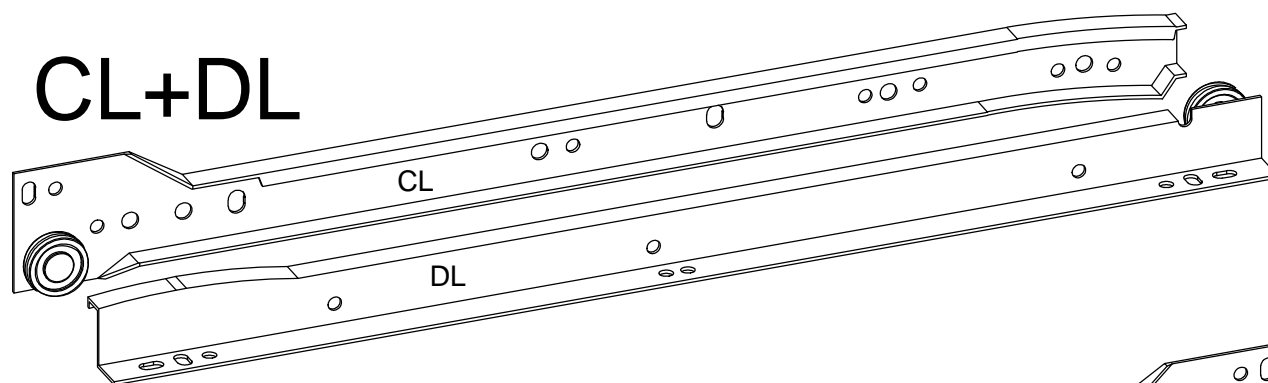


Allen Wrench  
M3  
K\*1

Extra hardware is enclosed for your convenience.

Don't confuse hardware left with right.

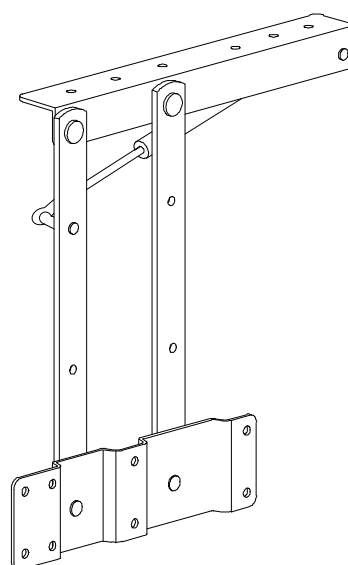
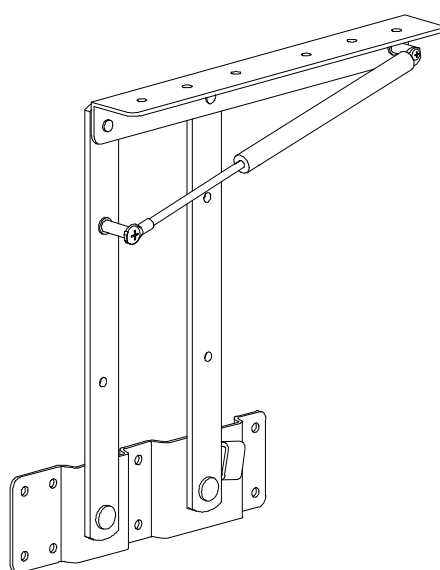
**CL+DL**



**CR+DR**

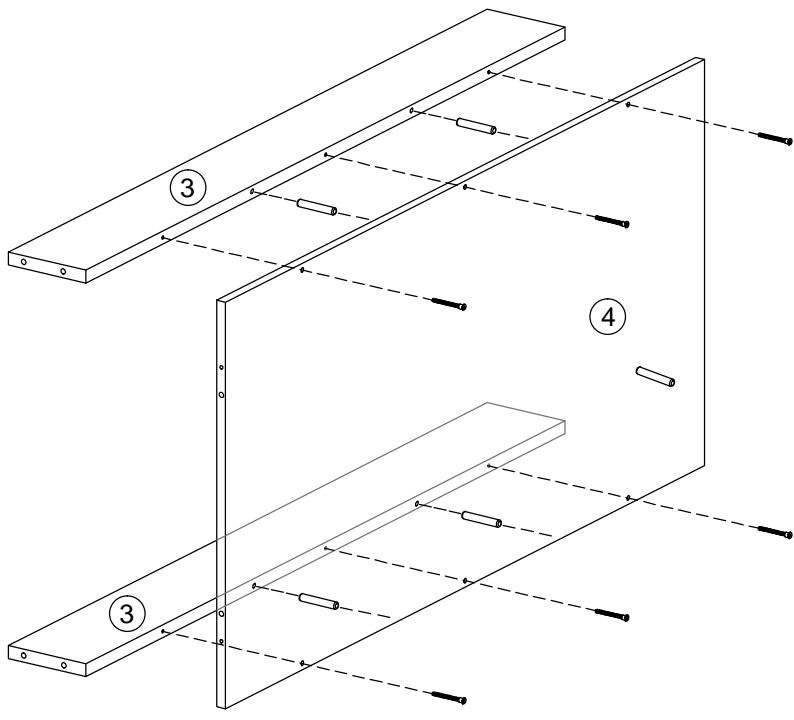
**C\*2**


Hardware **14** Enlarged view



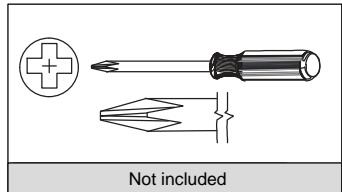
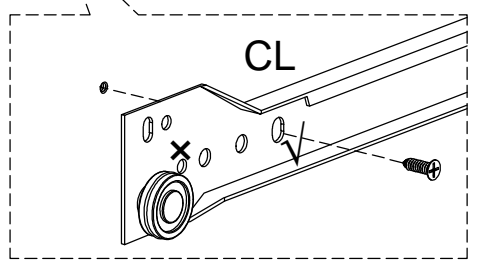
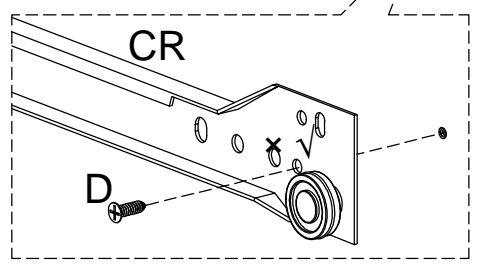
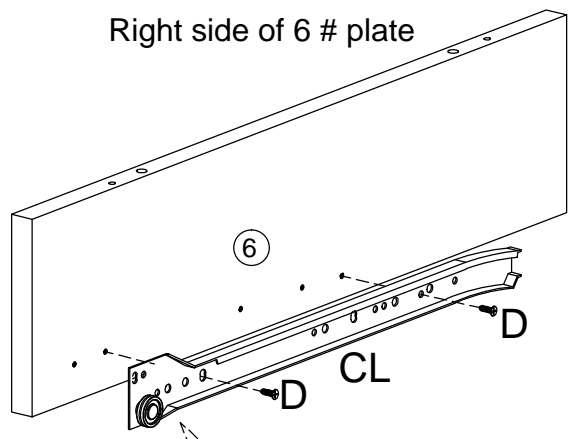
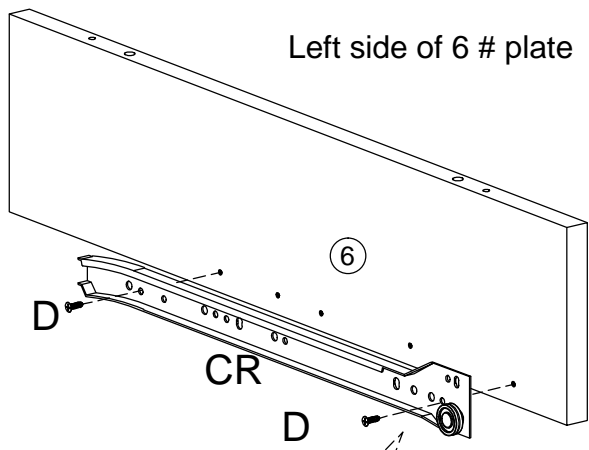
**14**

# STEP1



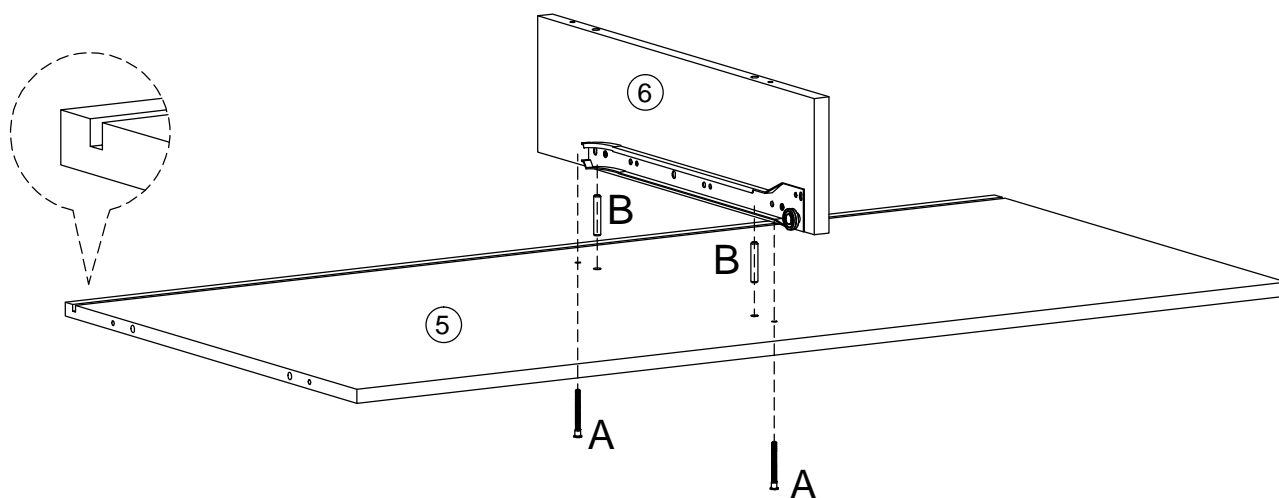
- ③\*2   ④\*1   A\*6   B\*4    \* 1


# STEP2



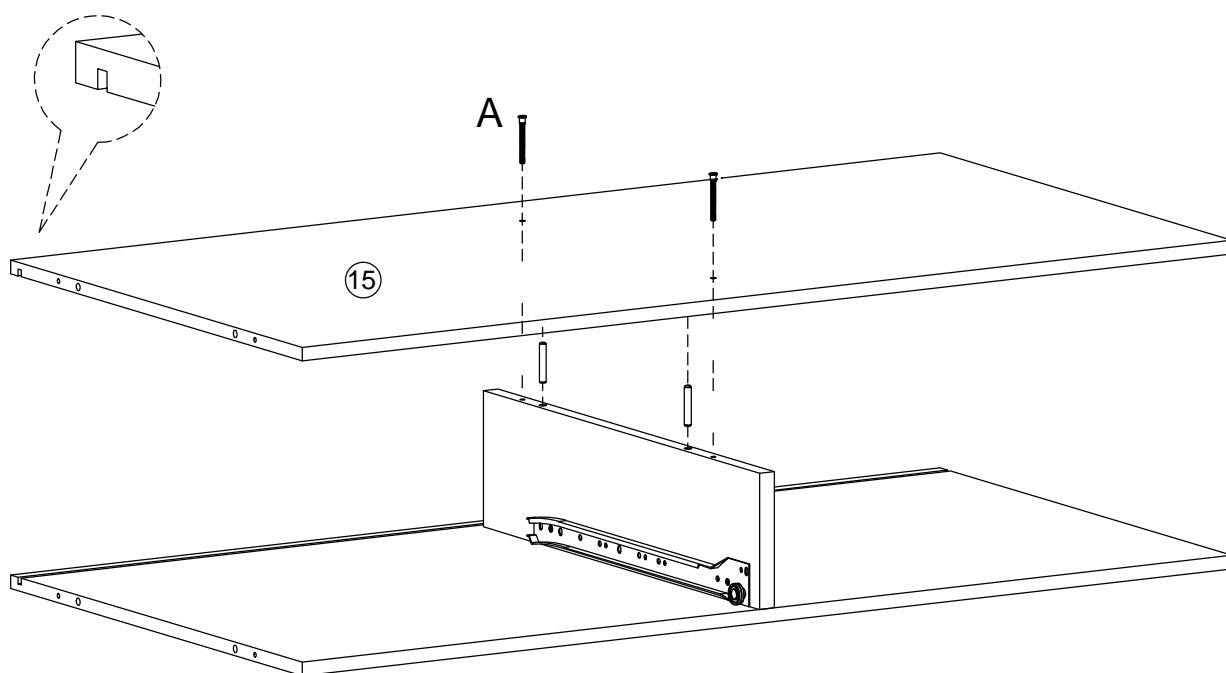
- ⑥\*1   CL\*1   CR\*1   D\*4


# STEP3



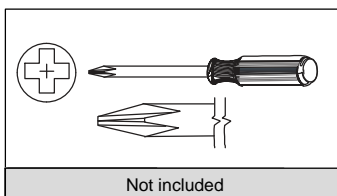
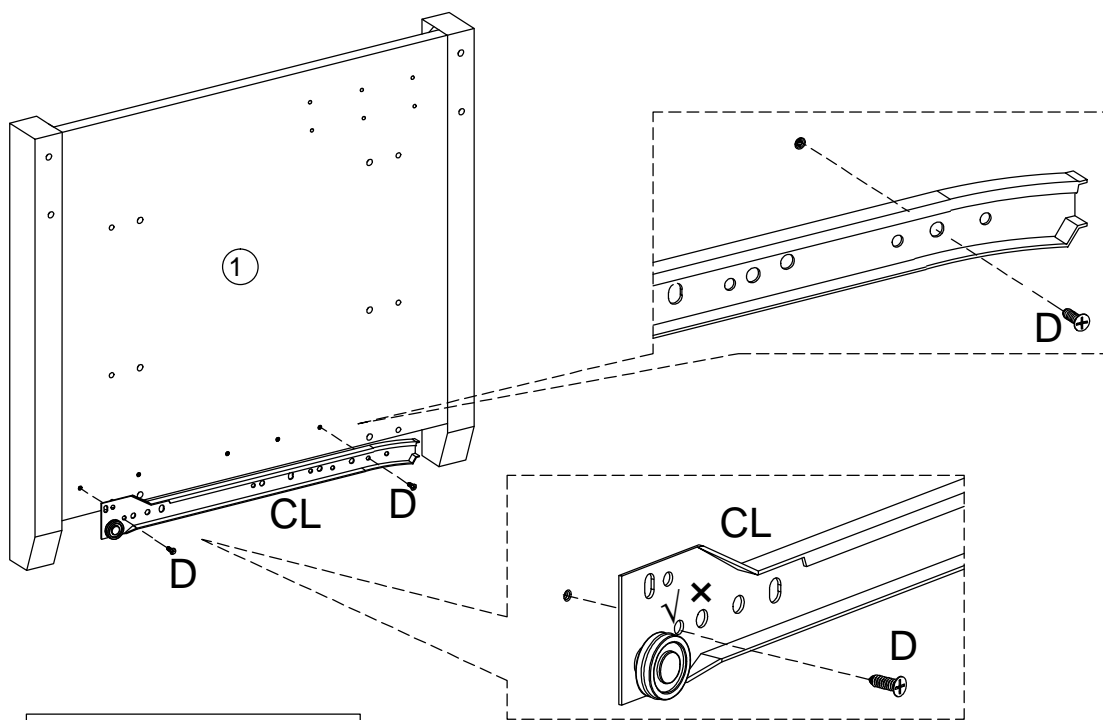
⑥\*1 ⑤\*1 A\*2 B\*2  \* 1

# STEP4



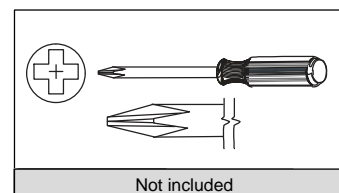
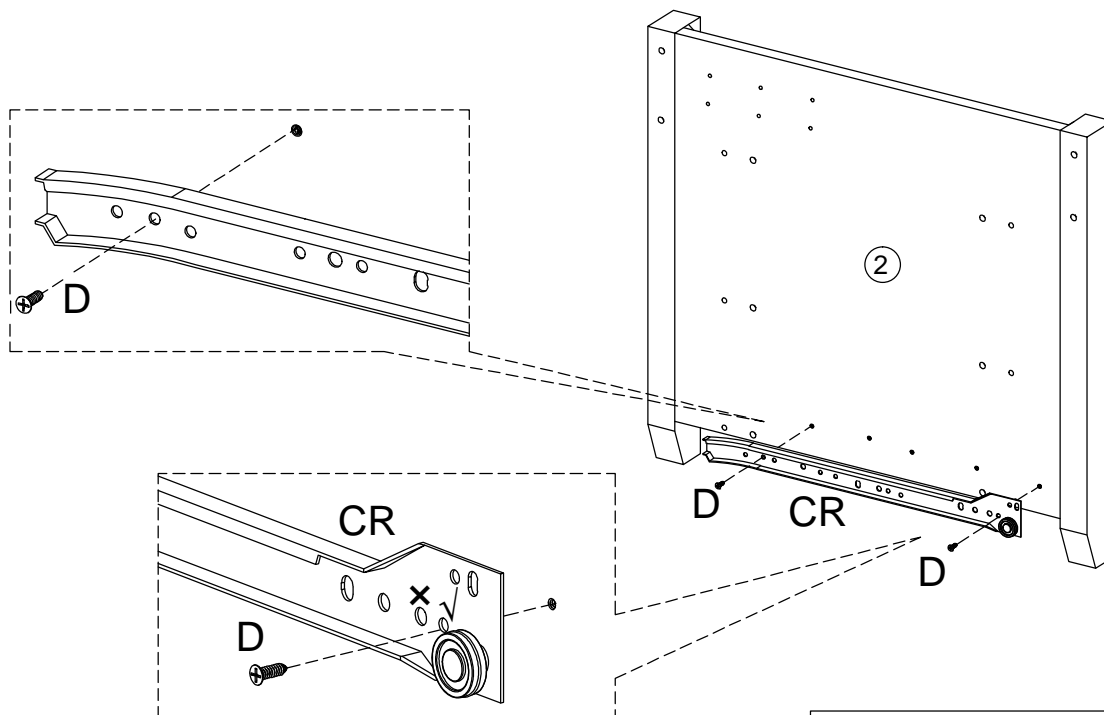
⑮\*1 A\*2 B\*2  \* 1

# STEP5



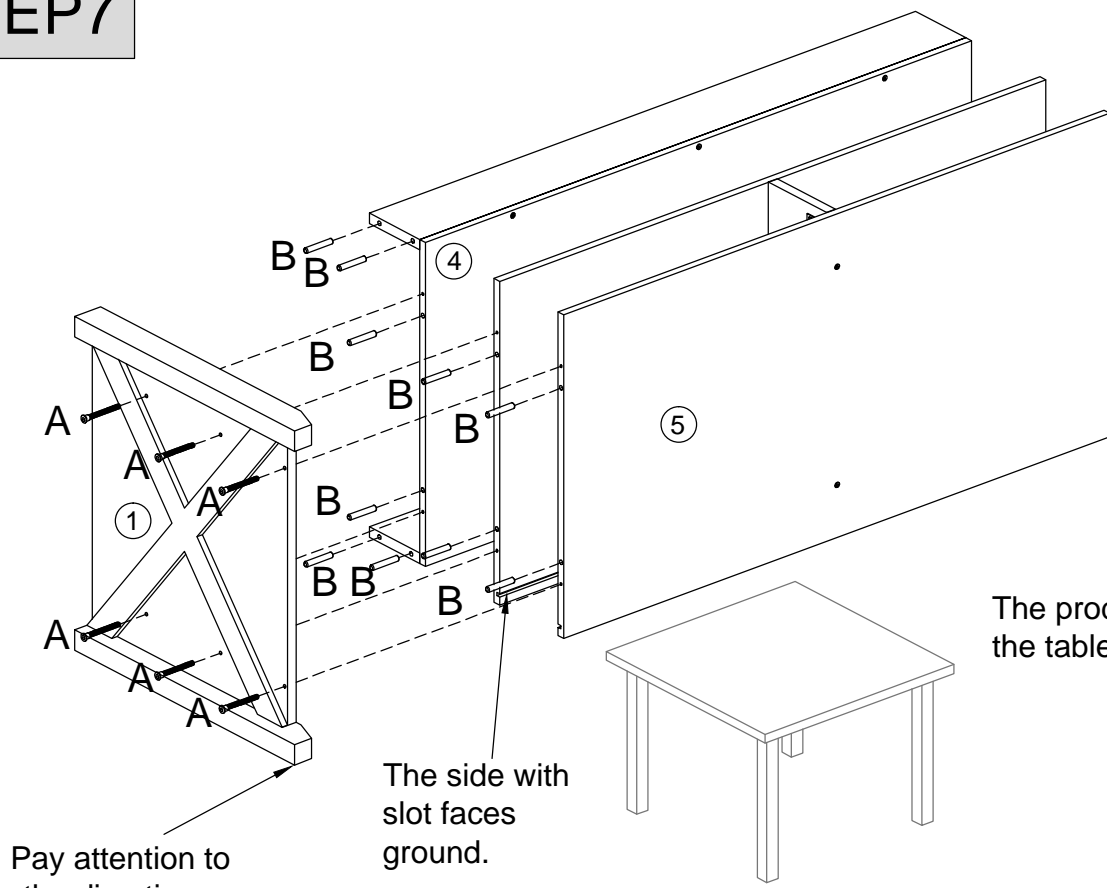
1\*1 CL\*1 D\*2

# STEP6



2\*1 CR\*1 D\*2

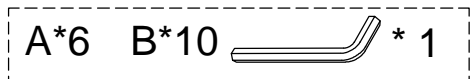
# STEP7



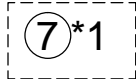
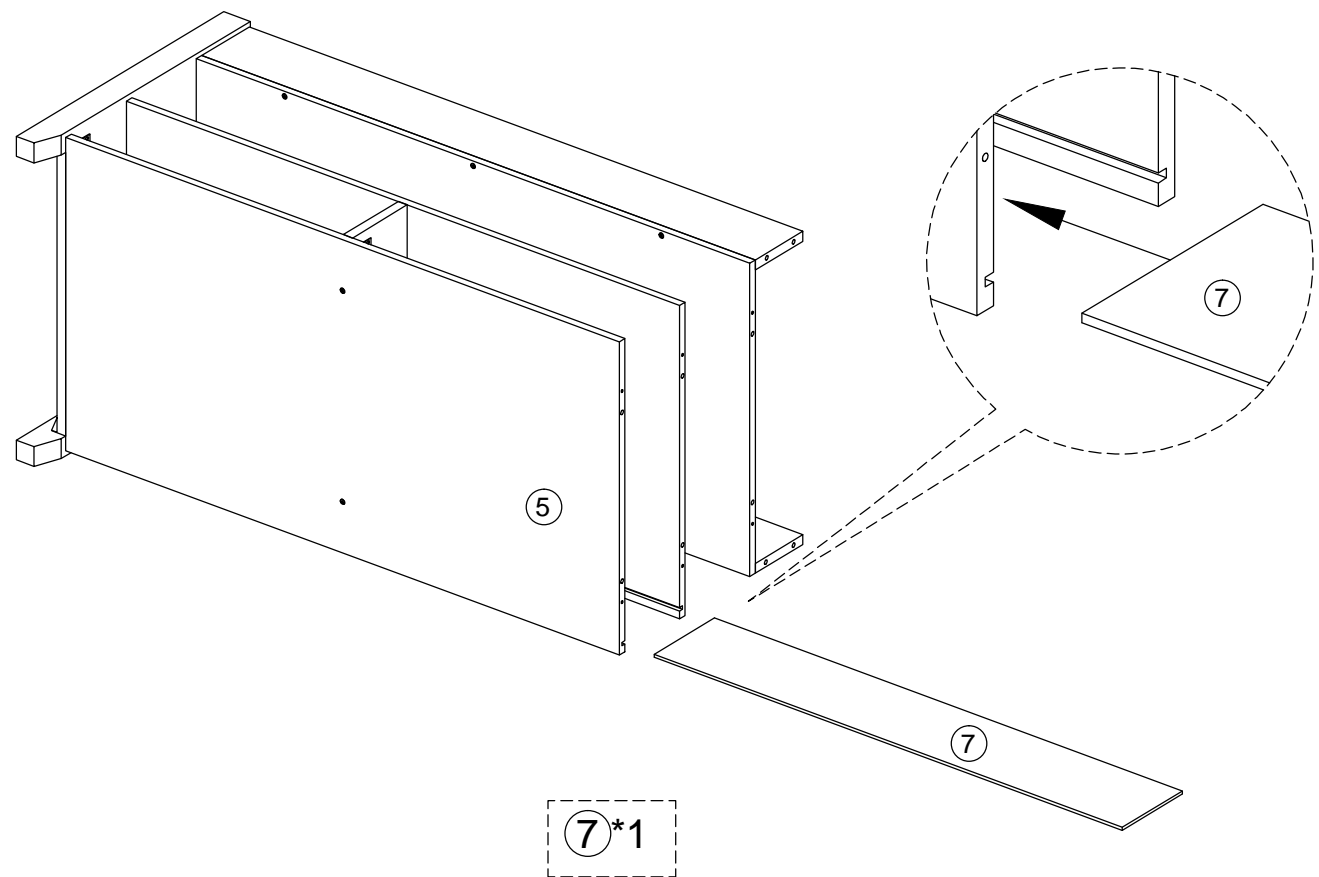
The product can be placed on the table for easy installation.

Pay attention to the direction of the leg.

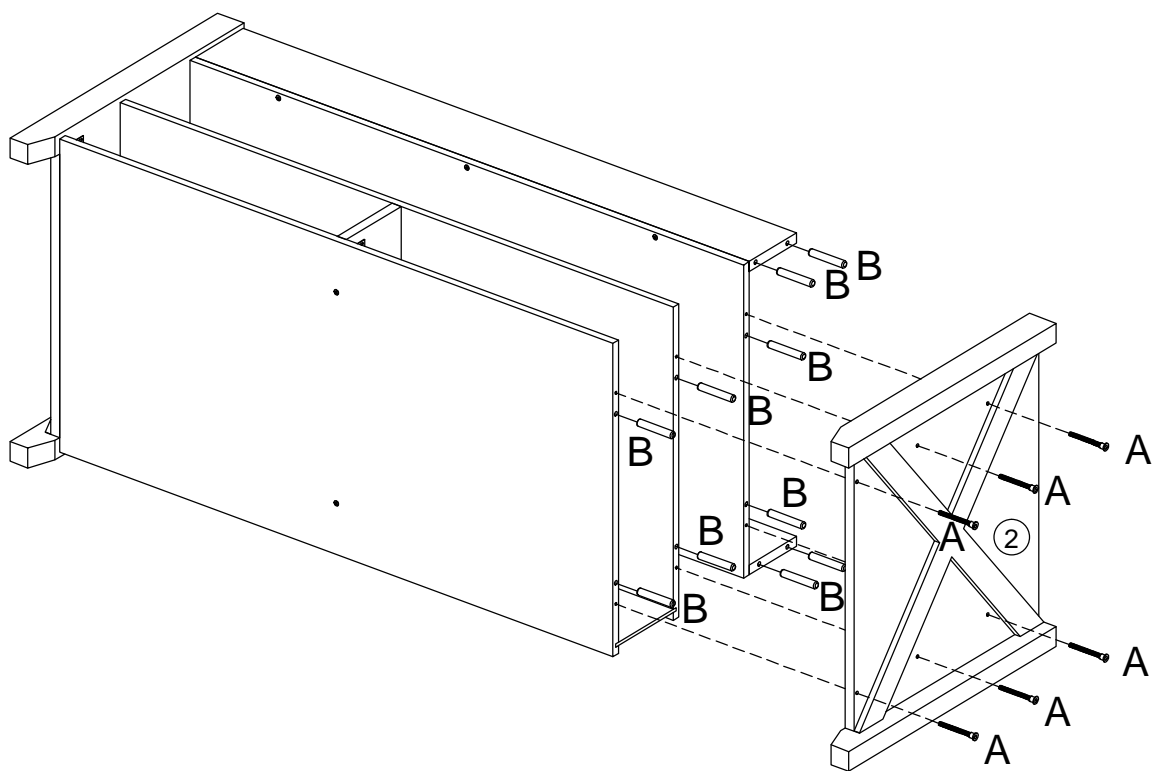
The side with slot faces ground.




# STEP8

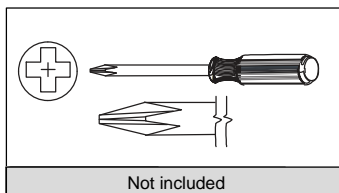
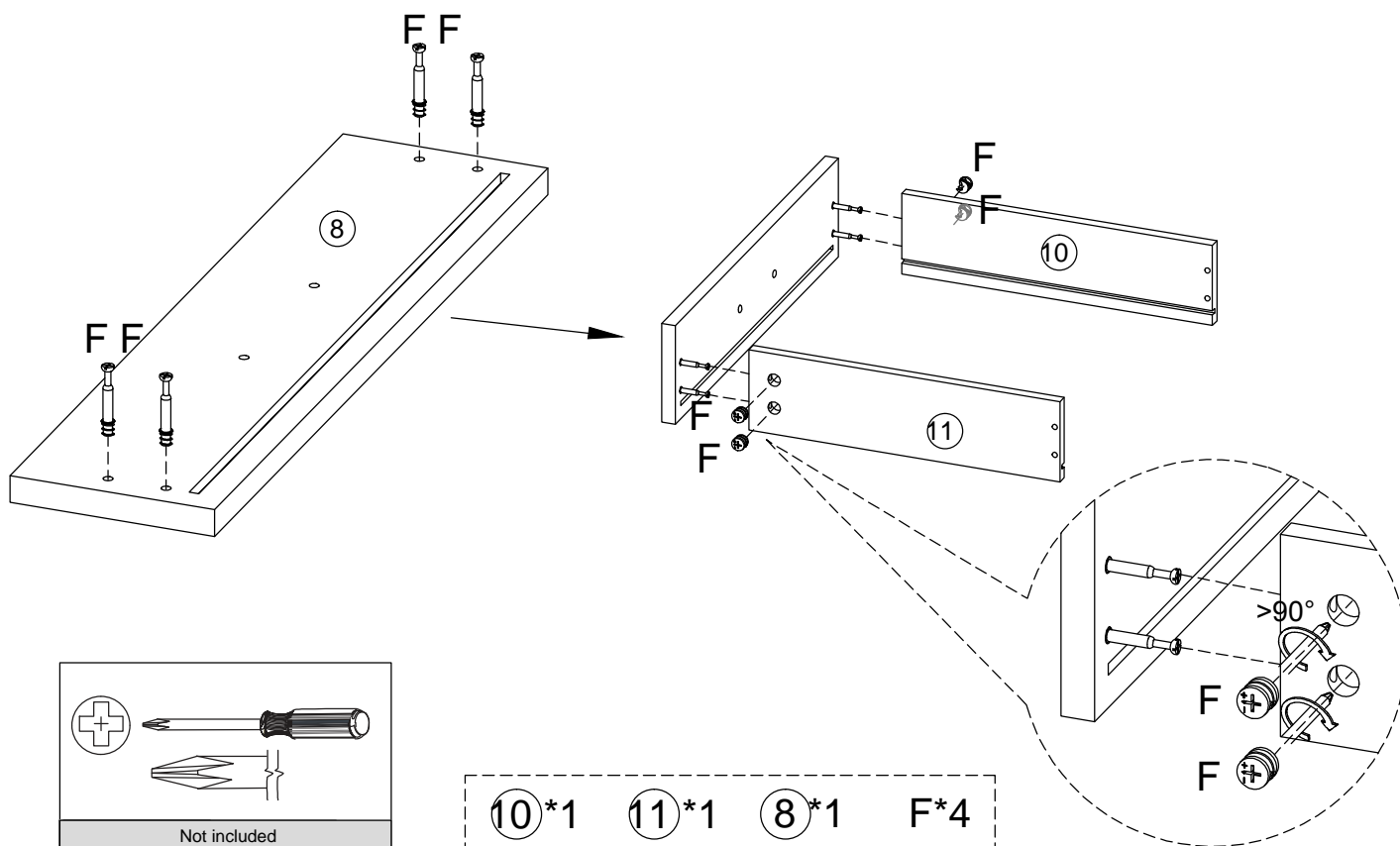


# STEP9



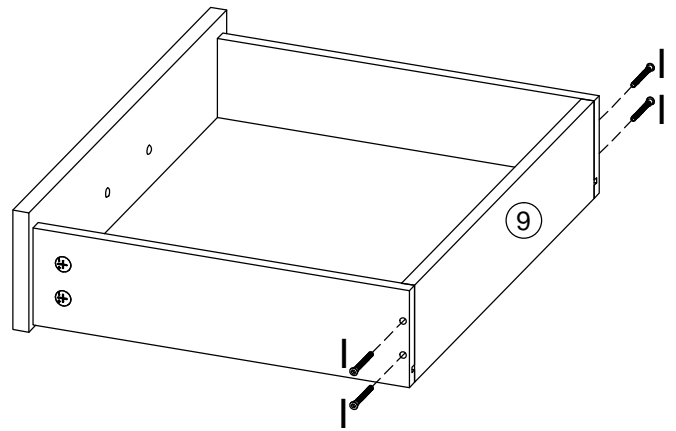
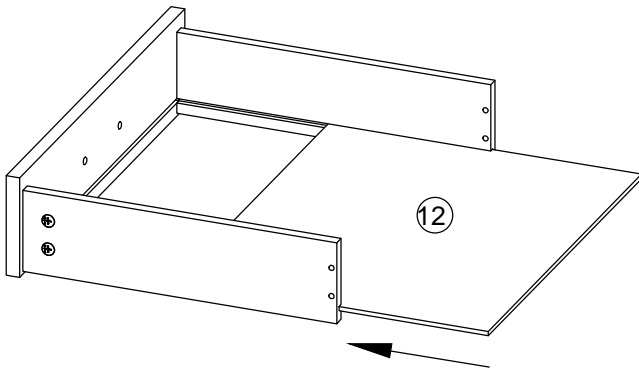
A\*6 B\*10  \* 1

# STEP10

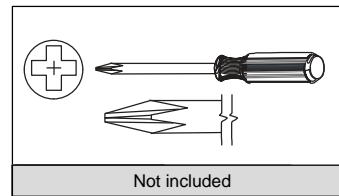


10\*1 11\*1 8\*1 F\*4

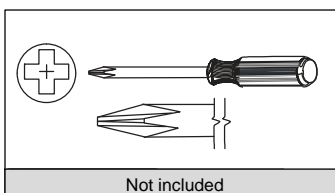
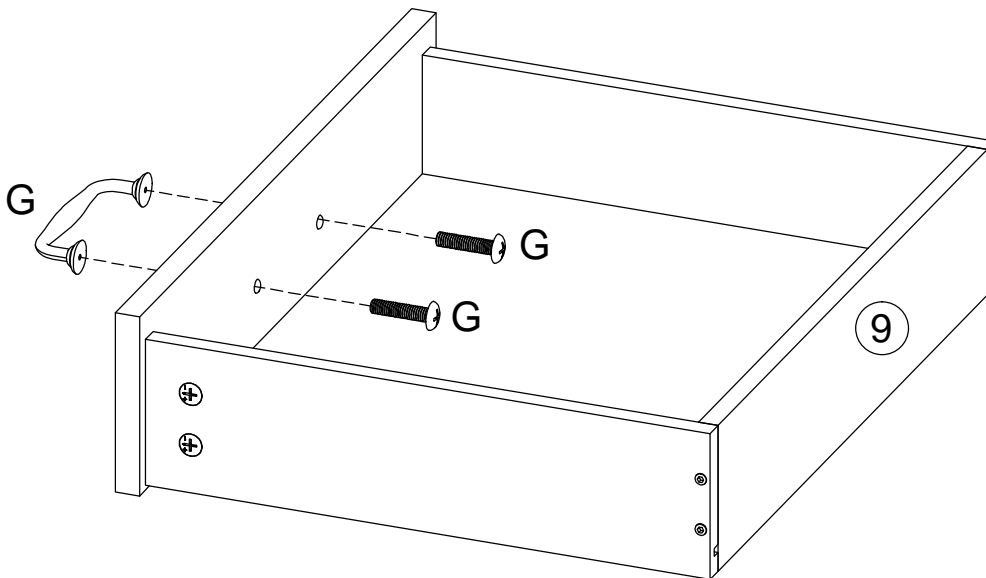
# STEP11



12\*1 9\*1 1\*4

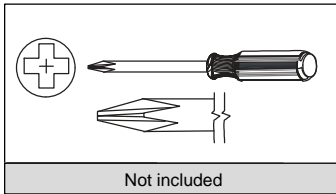
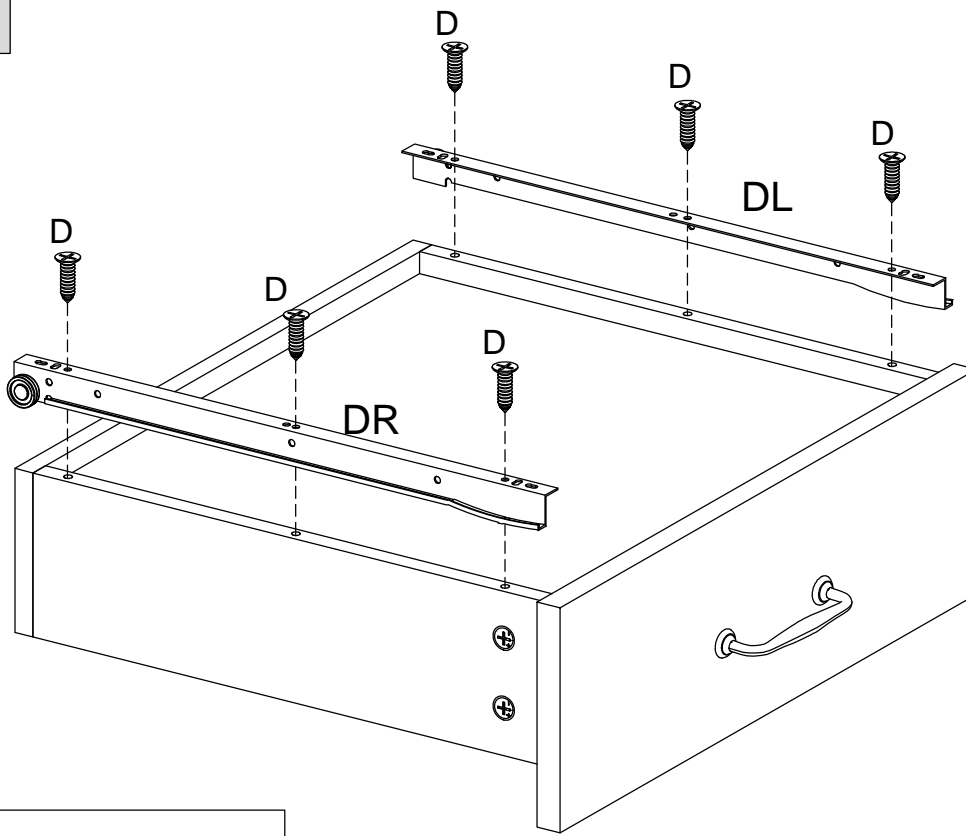


# STEP12



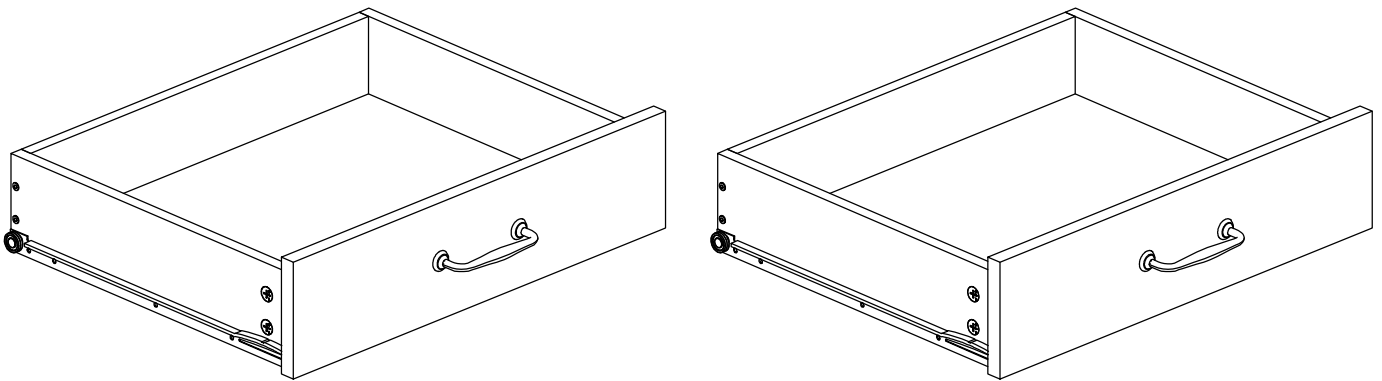
G\*1

# STEP13



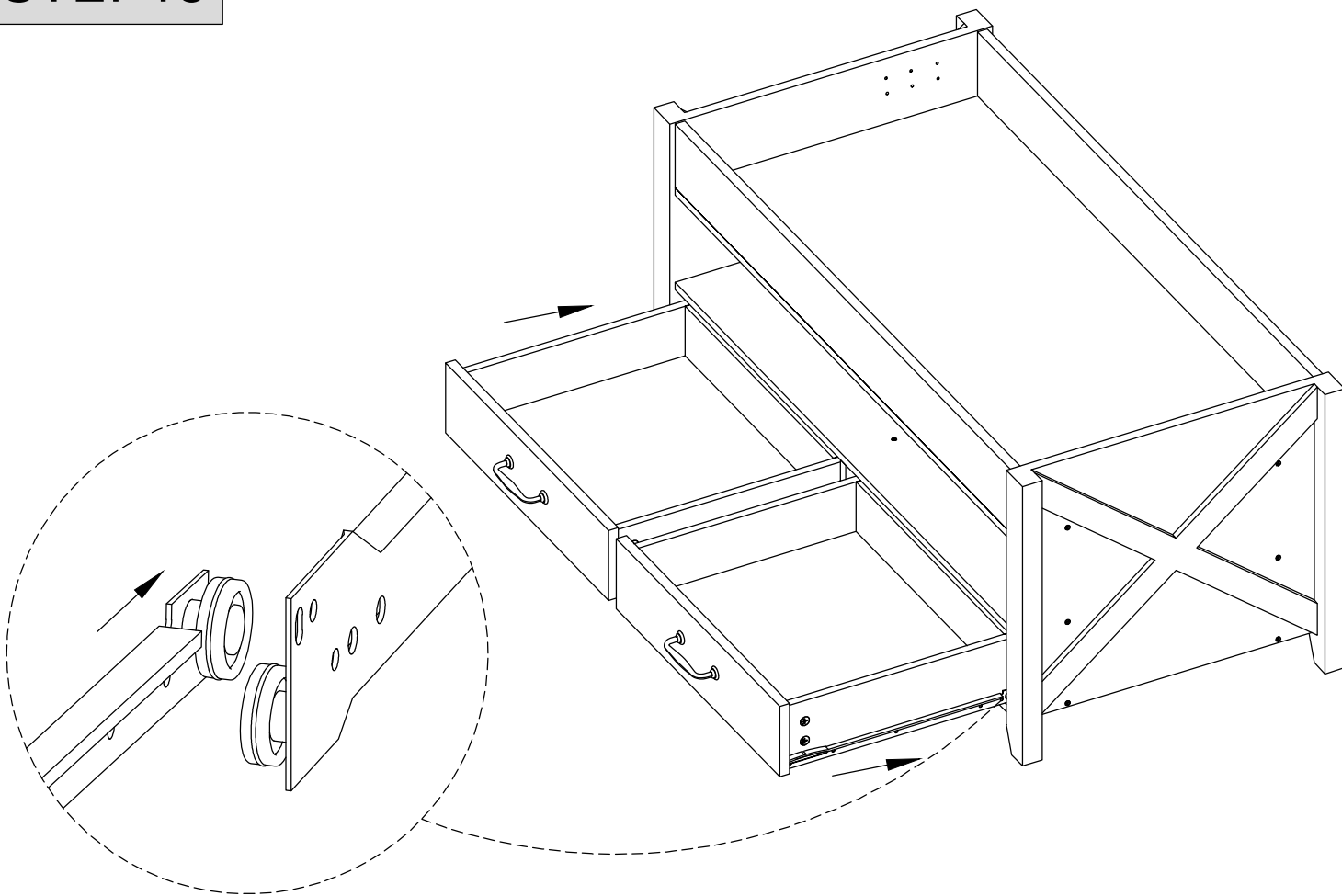
D\*6 DL\*1 DR\*1

# STEP14

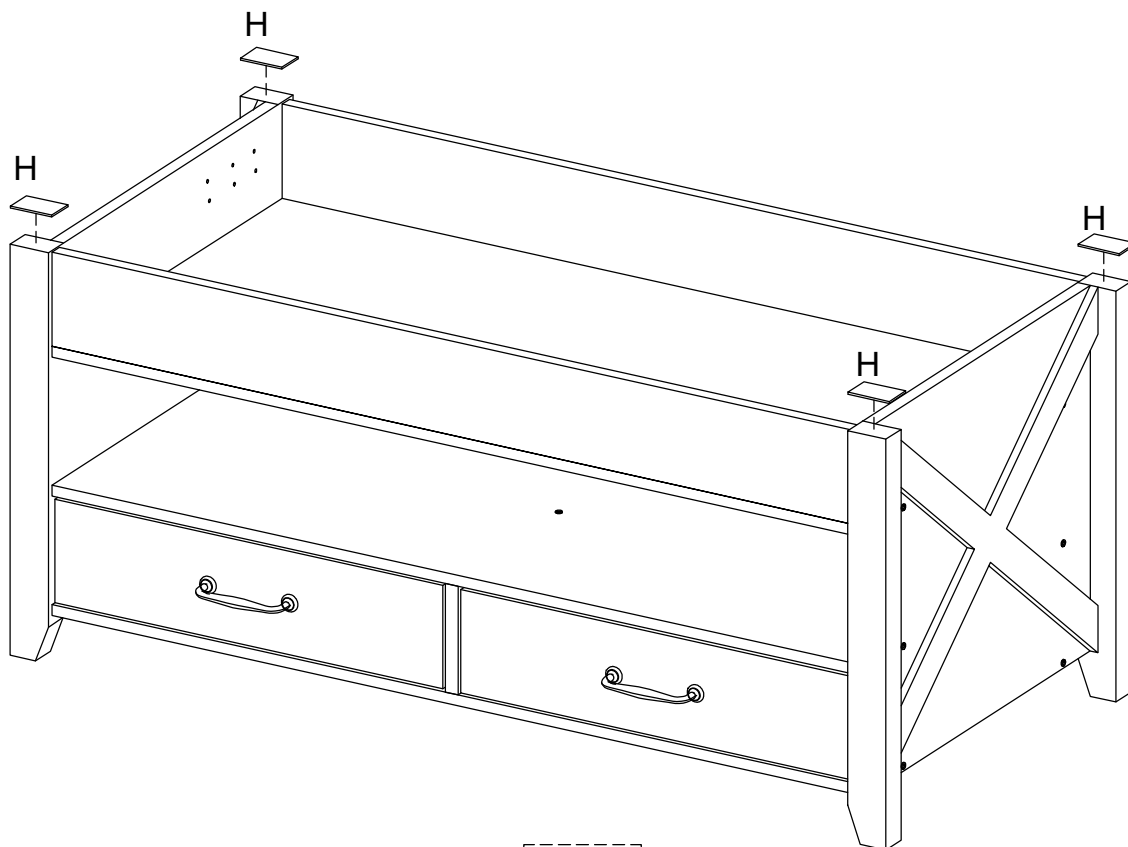


Repeat the above steps for the second

# STEP15



# STEP16

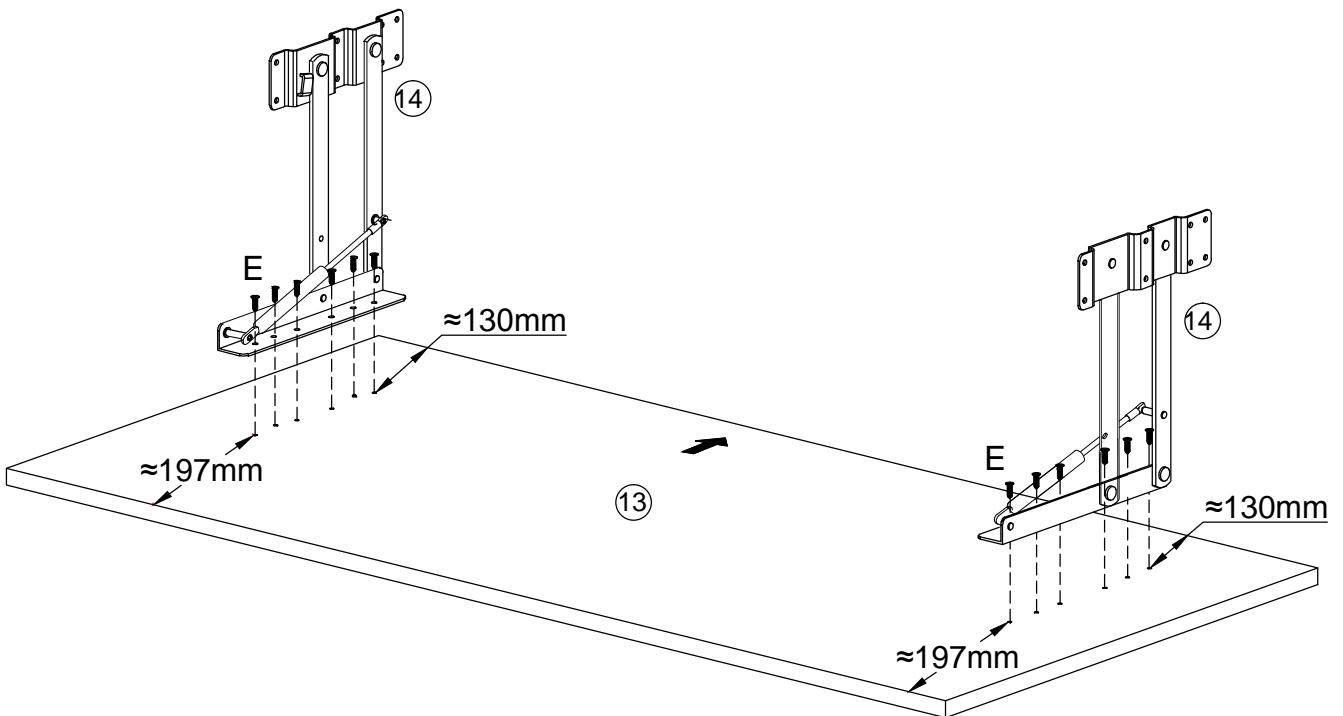


H\*4

# STEP17



Pay attention to  
the installation  
direction

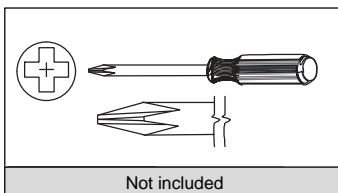
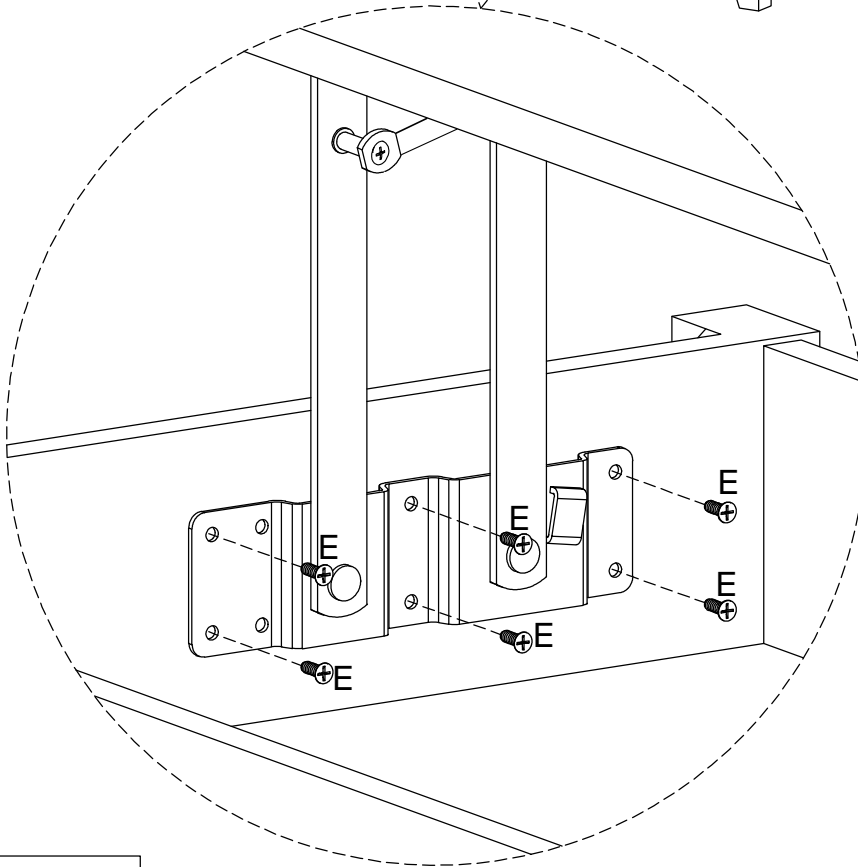
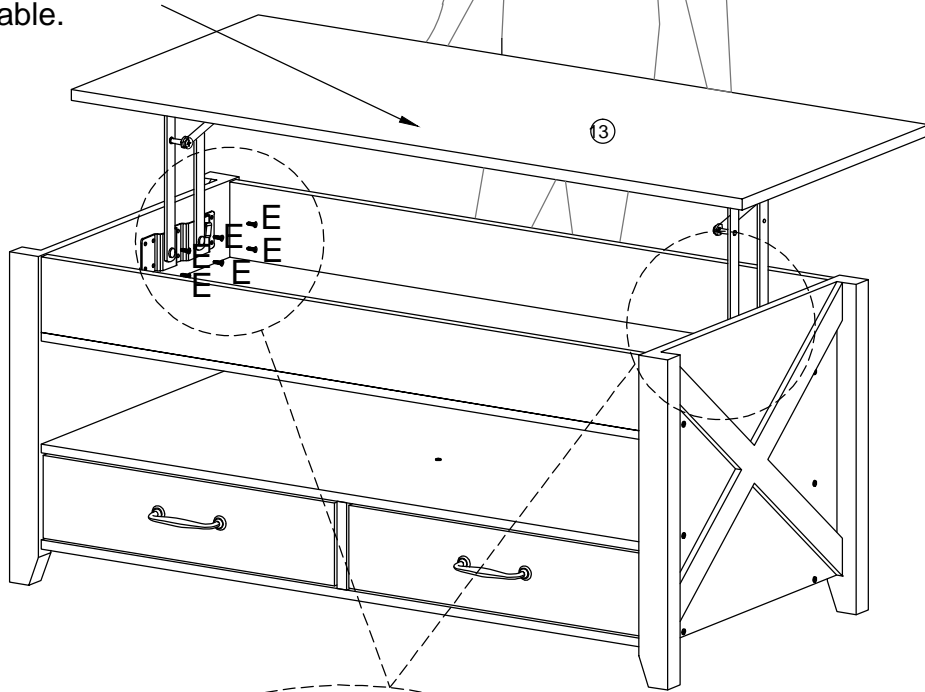


(13)\*1 (14)\*1 E\*12

# STEP18



The arrow faces  
the front side  
with drawer of  
the table.



E\*12

**Final Assembly!**

# STEP19



Lifting and lowering shall be operated by two hands

