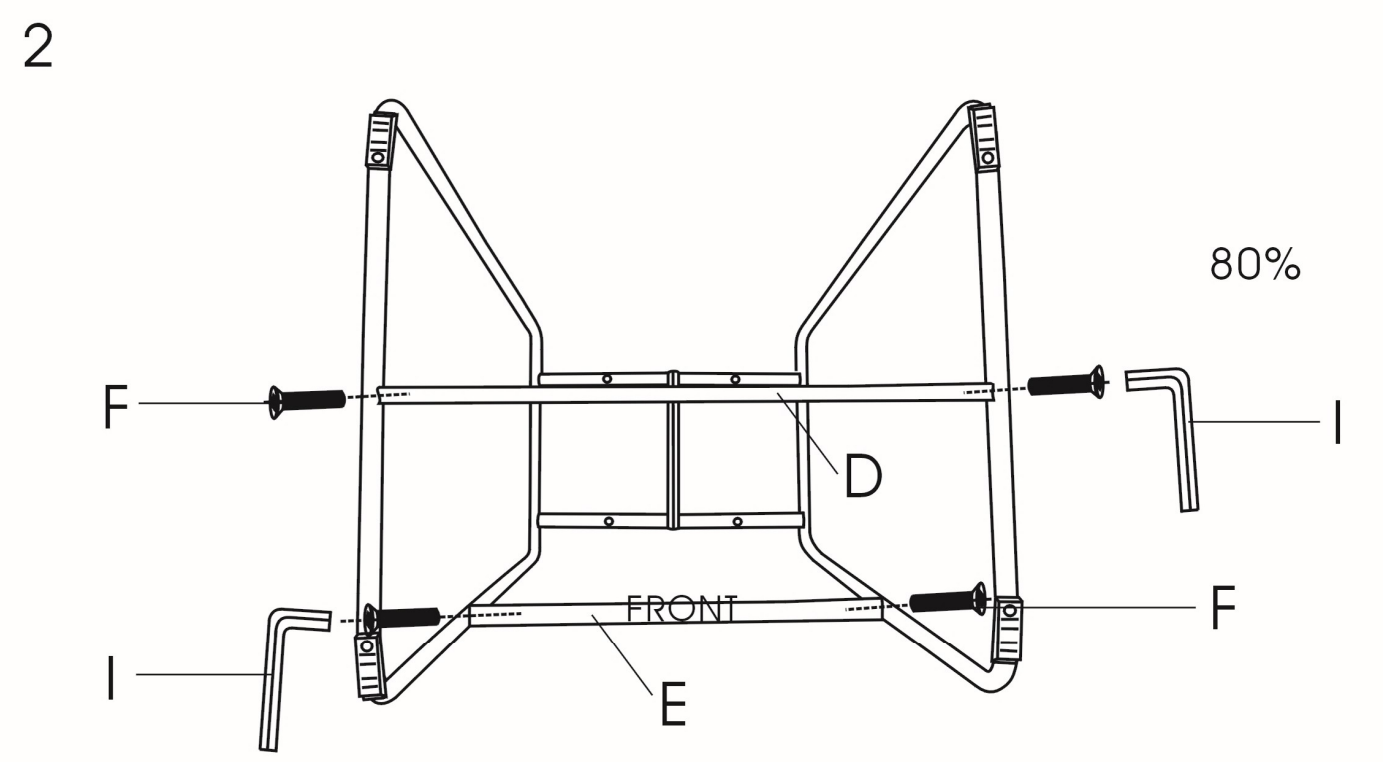
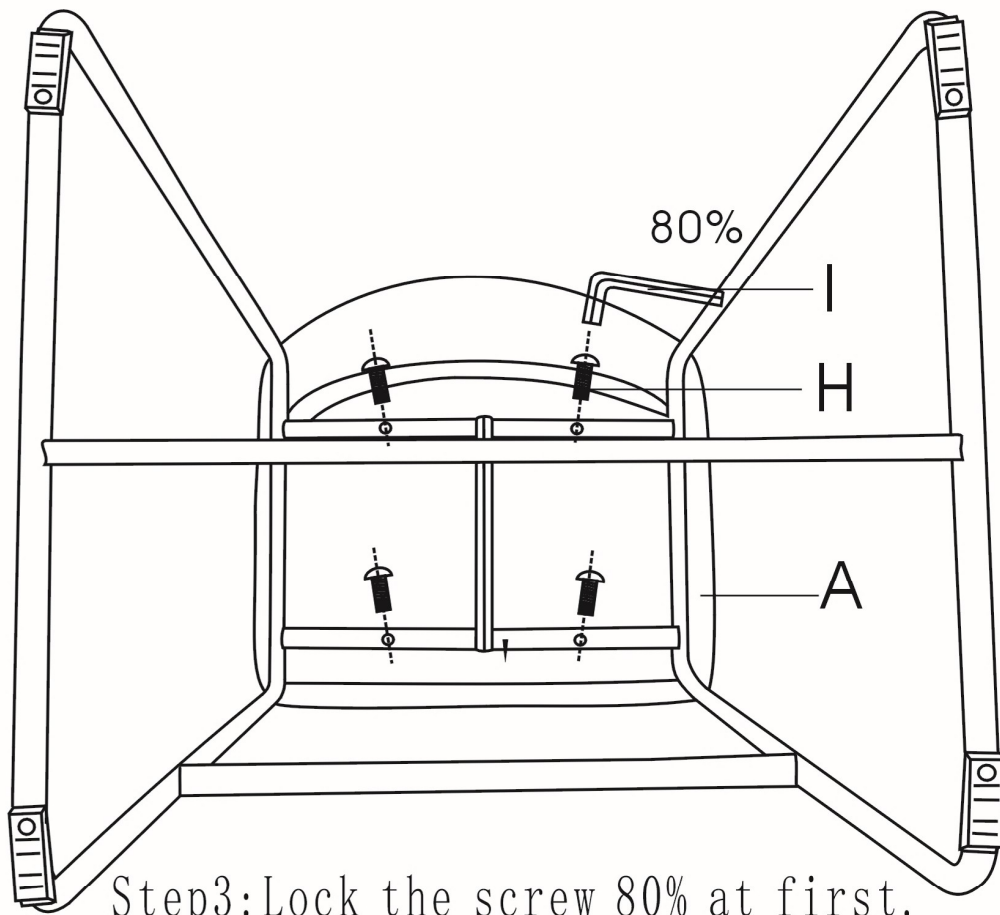


Step1: Lock the screw 80% at first.



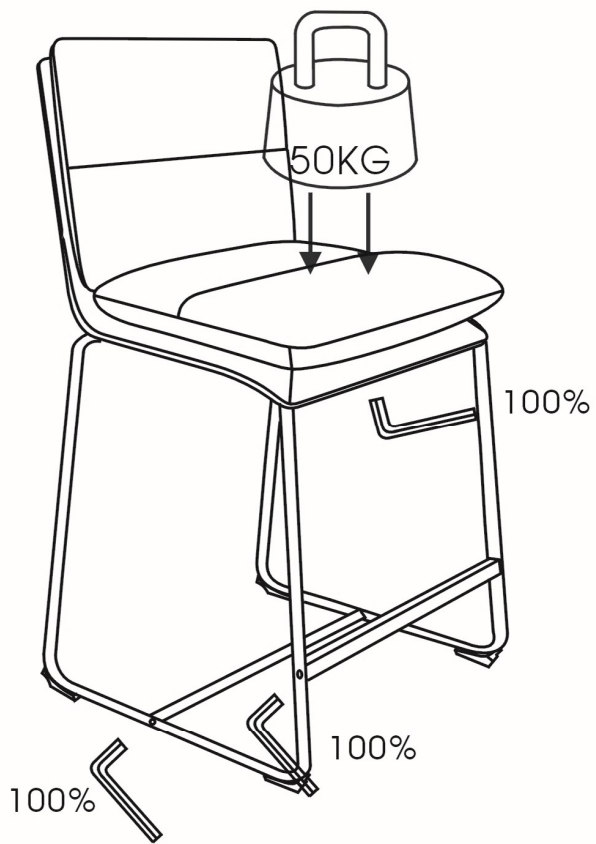
Step2: Lock the screw 80% at first.

3



Step3: Lock the screw 80% at first.

4



Step4: 50KG or adult seat in chair, make sure the chair is balance then tighten all the screws.

