

NOTICE

- * Please make sure that you have all parts indicated and they are in good condition before you begin assembly of this item. Refer to part list and hardware list below for guidance.
- * This item should be assembled on a soft surface to prevent scratching the finish during assembly.
- * This item may require periodic tightening.



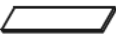






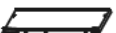


PREPARATION

- * Before beginning assembly of product, make sure all parts are present. Compare parts with part contents list and hardware contents list.
- * If any part is missing or damaged, do not attempt to assemble the product.
- * Estimated Assembly Time: 60 minutes.
- * Tools Required for Assembly (included): Allen Key

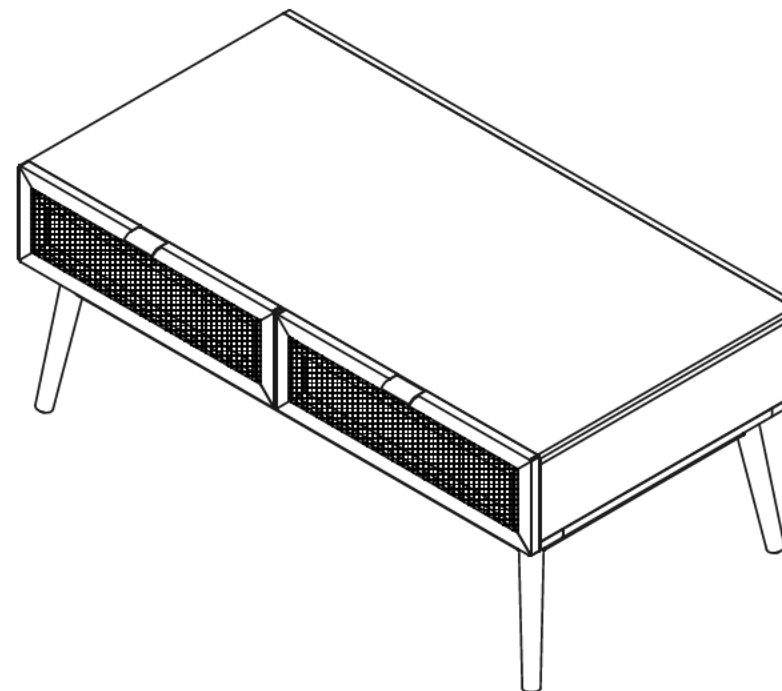
CARE AND MAINTENANCE

Adhesive felt pads should always be applied to areas of furniture which make direct contact with flooring, said application will prevent damage to the furniture and or surfaces on which the furniture lies. Objects placed on articles of furniture should rest on non abrasive material as to prevent damage to the wood finish. Wipe up spills immediately and avoid common hazards such as hot dishes, harsh solvents and abrasives. Cleaning should be done with a soft lint free cotton cloth dampened with water or furniture polish.

Part List

PIECE	DESCRIPTION	PICTURE	QUANTITY
A	TOP PANEL		1X
B	LEFT PANEL		1X
C	RIGHT PANEL		1X
D	DIVIDER		1X
E	BOTTOM ASSEMBLY		1X
F	BACK PANEL		1X
G	LEG		4X
H	DRAWER FRONT		2X
I	DRAWER LEFT		2X
J	DRAWER RIGHT		2X
K	DRAWER BACK		2X
L	DRAWER BASE		2X

Product Dimensions: 43.8"W x 23"D x 18"H



WARNING



**WEIGHT CAPACITY, TOP: 100 LBS, DRAWER: 15 LBS
WARNING: DO NOT STAND ON THE COFFEE TABLE
WARNING: DO NOT OVER TORQUE BOLTS/SCREWS**

NOTICE

- * Please make sure that you have all parts indicated and they are in good condition before you begin assembly of this item. Refer to part list and hardware list below for guidance.
- * This item should be assembled on a soft surface to prevent scratching the finish during assembly.
- * This item may require periodic tightening.













PREPARATION

- * Before beginning assembly of product, make sure all parts are present. Compare parts with part contents list and hardware contents list.
- * If any part is missing or damaged, do not attempt to assemble the product.
- * Estimated Assembly Time: 60 minutes.
- * Tools Required for Assembly (included): Allen Key

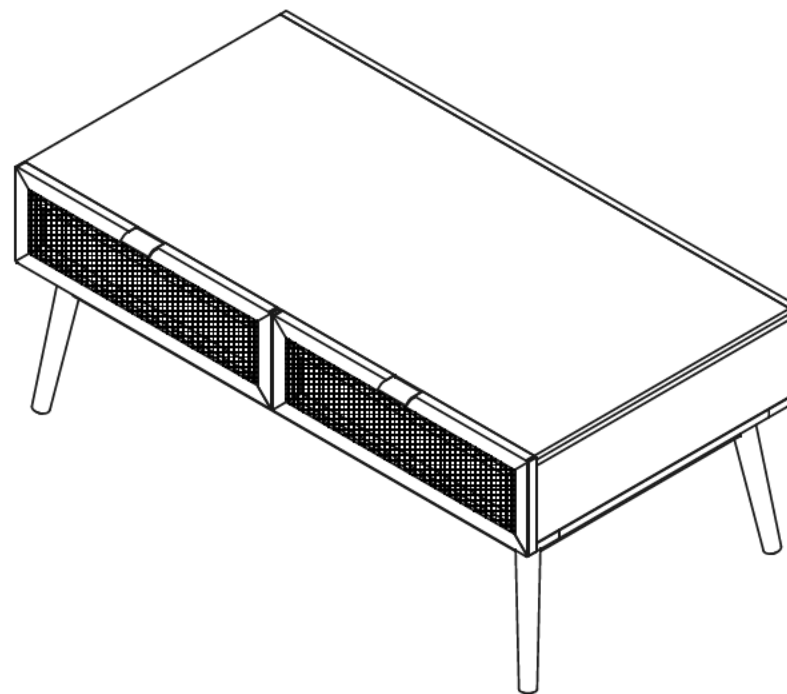
CARE AND MAINTENANCE

Adhesive felt pads should always be applied to areas of furniture which make direct contact with flooring, said application will prevent damage to the furniture and or surfaces on which the furniture lies. Objects placed on articles of furniture should rest on non abrasive material as to prevent damage to the wood finish. Wipe up spills immediately and avoid common hazards such as hot dishes, harsh solvents and abrasives. Cleaning should be done with a soft lint free cotton cloth dampened with water or furniture polish.

Hardware List

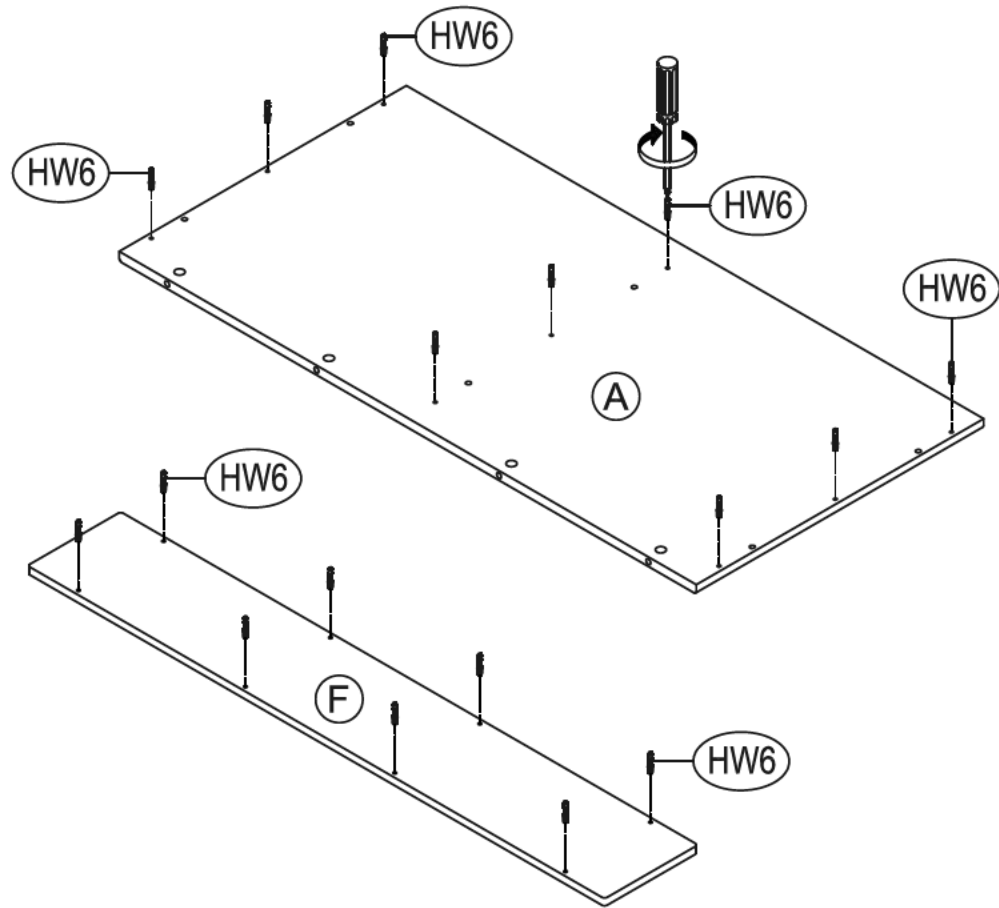
PIECE	DESCRIPTION	PICTURE	QUANTITY
HW1	BOLT 6 x 1 x 20 MM		8X
HW2	HEAD CAP SCREW 5 x 3 x 44 MM		9X
HW3	FLAT HEAD SCREW 3 x 1 x 32 MM		16X
HW4	FLAT HEAD SCREW 3 x 1 x 19 MM		8X
HW5	FLAT HEAD SCREW 3 x 1 x 13 MM		4X
HW6	CAMBOLT		17X
HW7	CAMLOCK		17X
HW8	HANDLE		2X
HW9	DOWEL		12X
HW10	SPRING WASHER		8X
HW11	FLAT WASHER		8X
HW12	ALLEN KEY		1X

Product Dimensions: 43.8"W x 23"D x 18"H

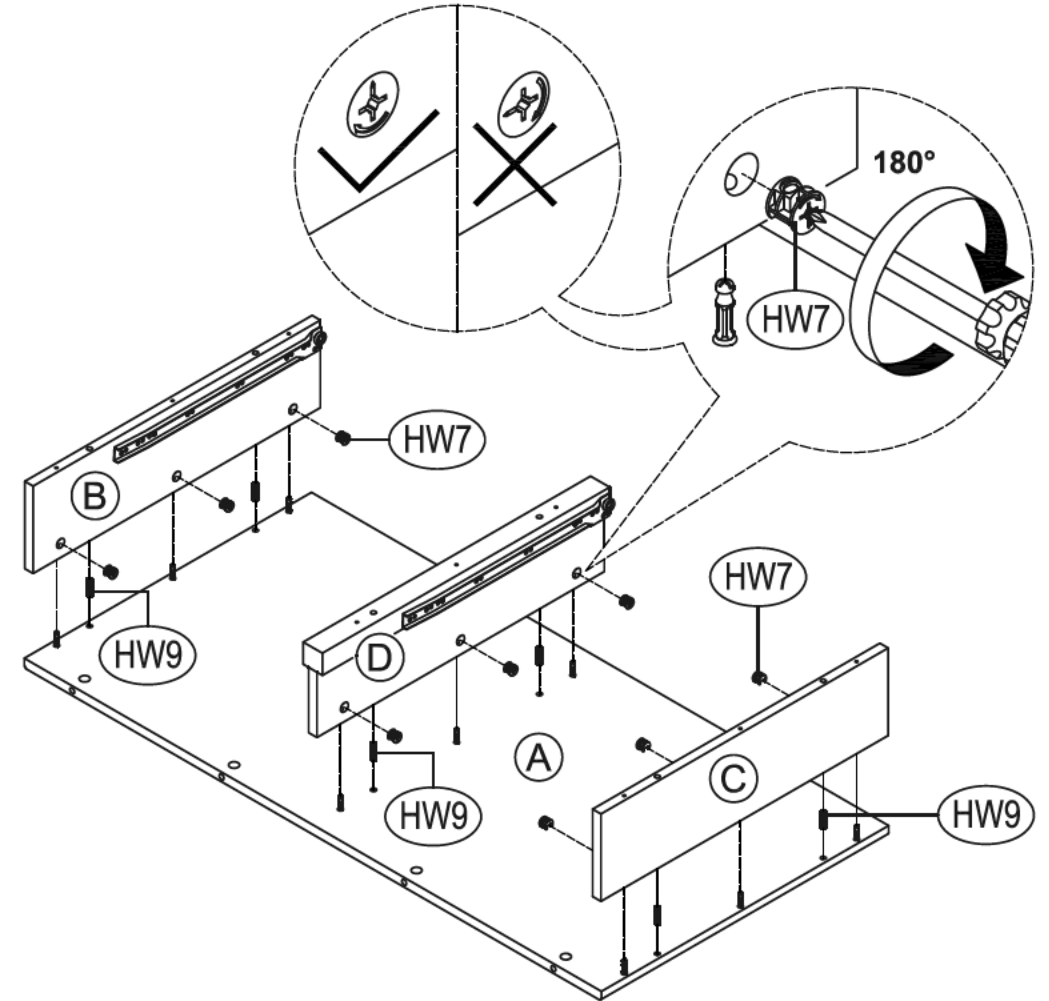


PREPARATION

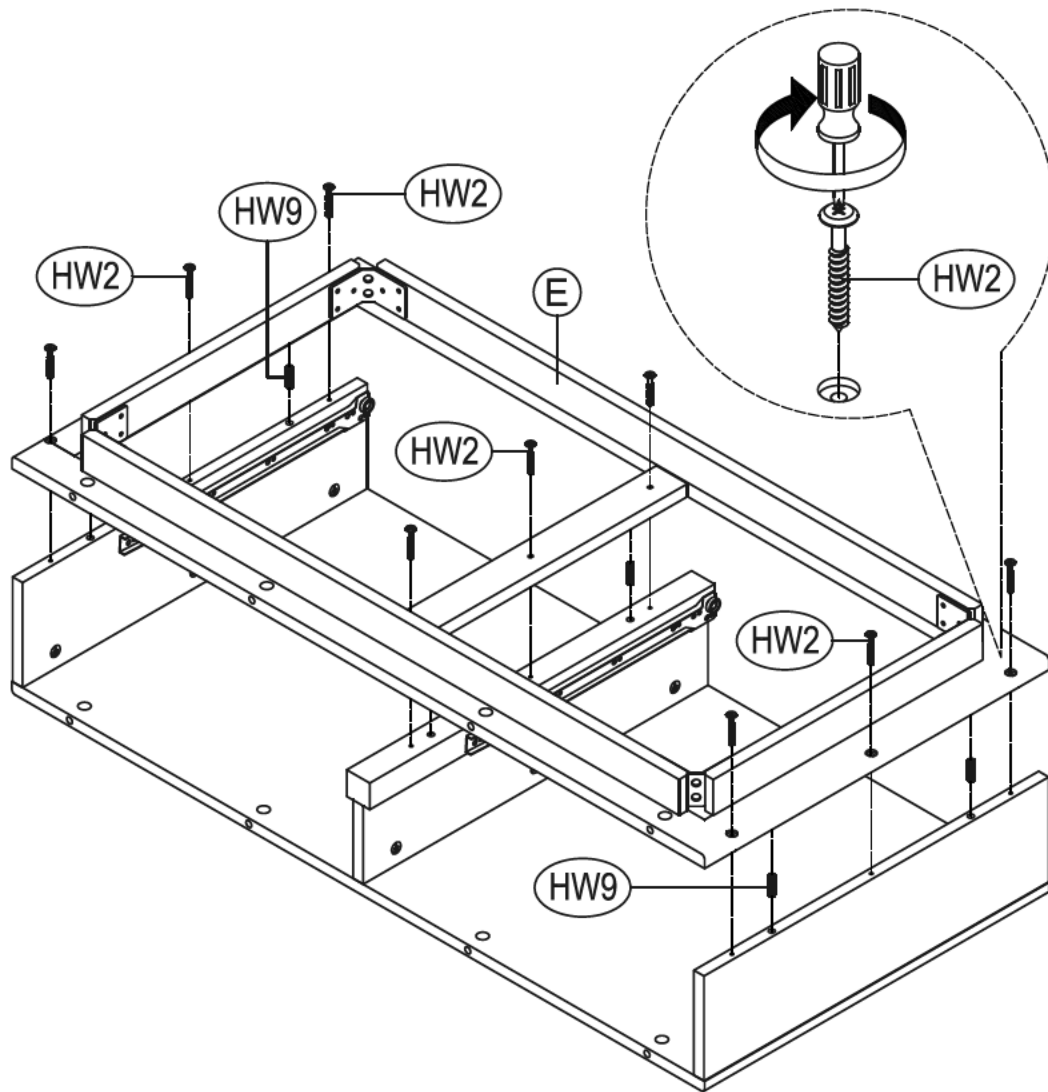
- * Before beginning assembly of product, make sure all parts are present. Compare parts with package contents list and hardware contents list.
- * If any part is missing or damaged, do not attempt to assemble the product.
- * Estimated Assembly Time: 60 minutes.
- * Tools Required for Assembly (included): Allen Key



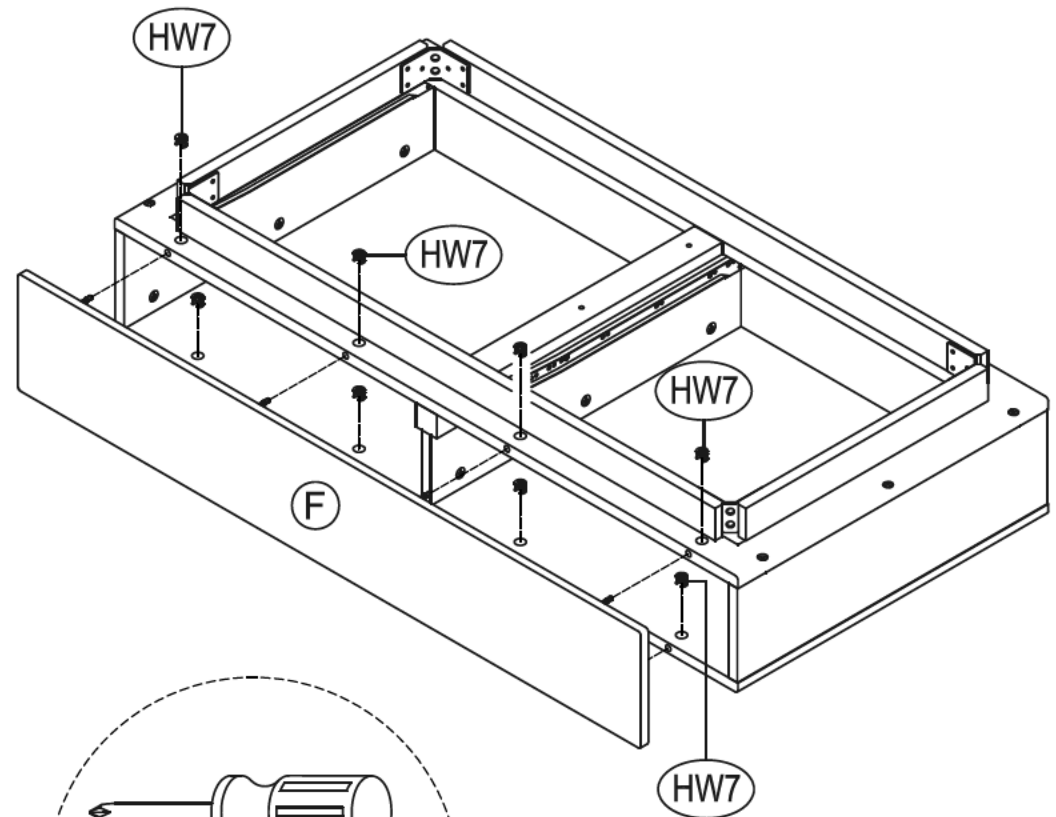
STEP 1 ATTACH CAMBOLTS (HW6) TO TOP PANEL (A) AND BACK PANEL (F).



STEP 2 ATTACH LEFT PANEL (B), RIGHT PANEL (C) AND DIVIDER (D) TO TOP PANEL (A) USING DOWELS (HW9) AND CAMLOCKS (HW7).

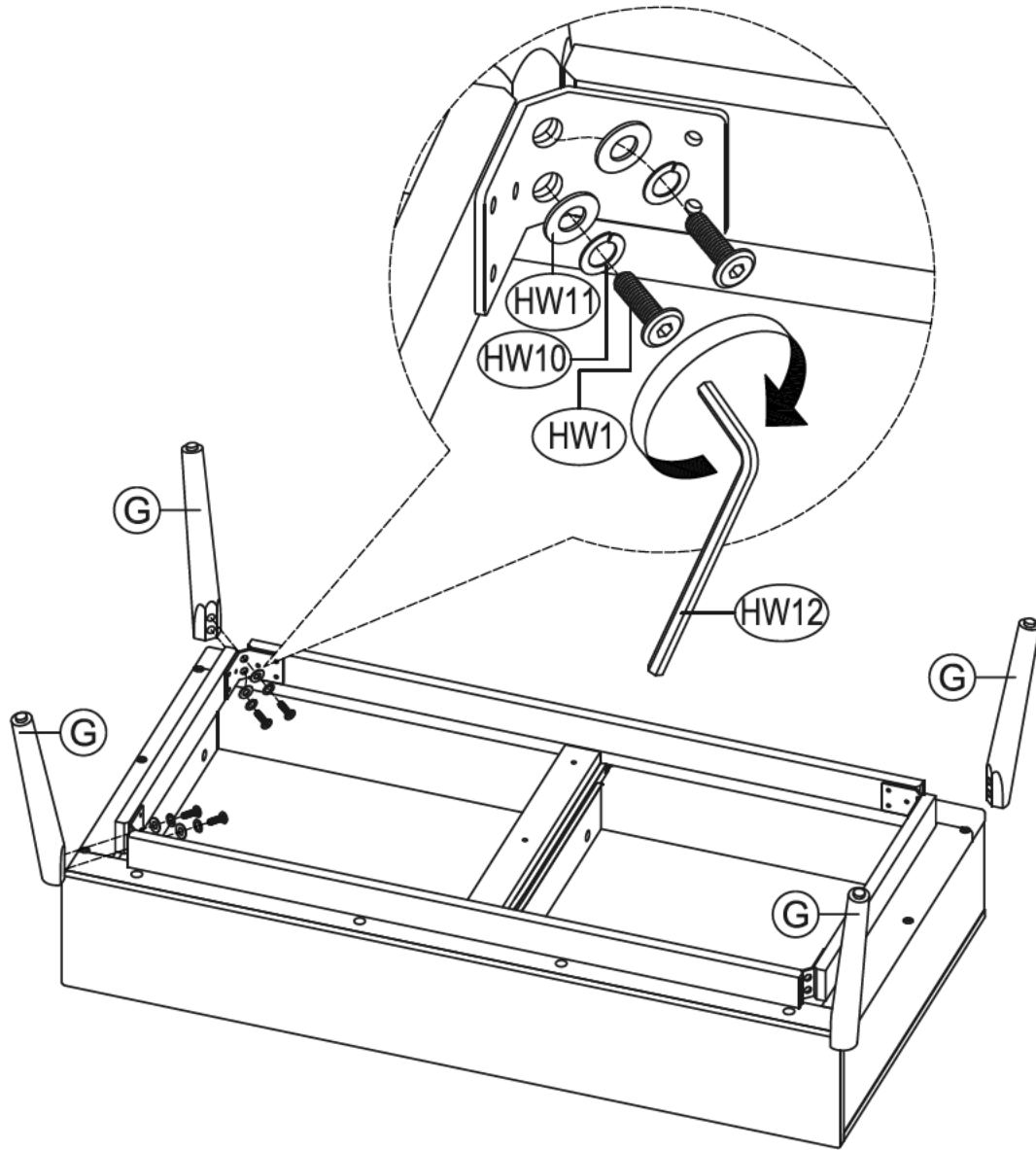


STEP 3 ATTACH BOTTOM ASSEMBLY (E) TO UNIT USING DOWELS (HW9) AND 1 3/4" HEAD CAP SCREWS (HW2).

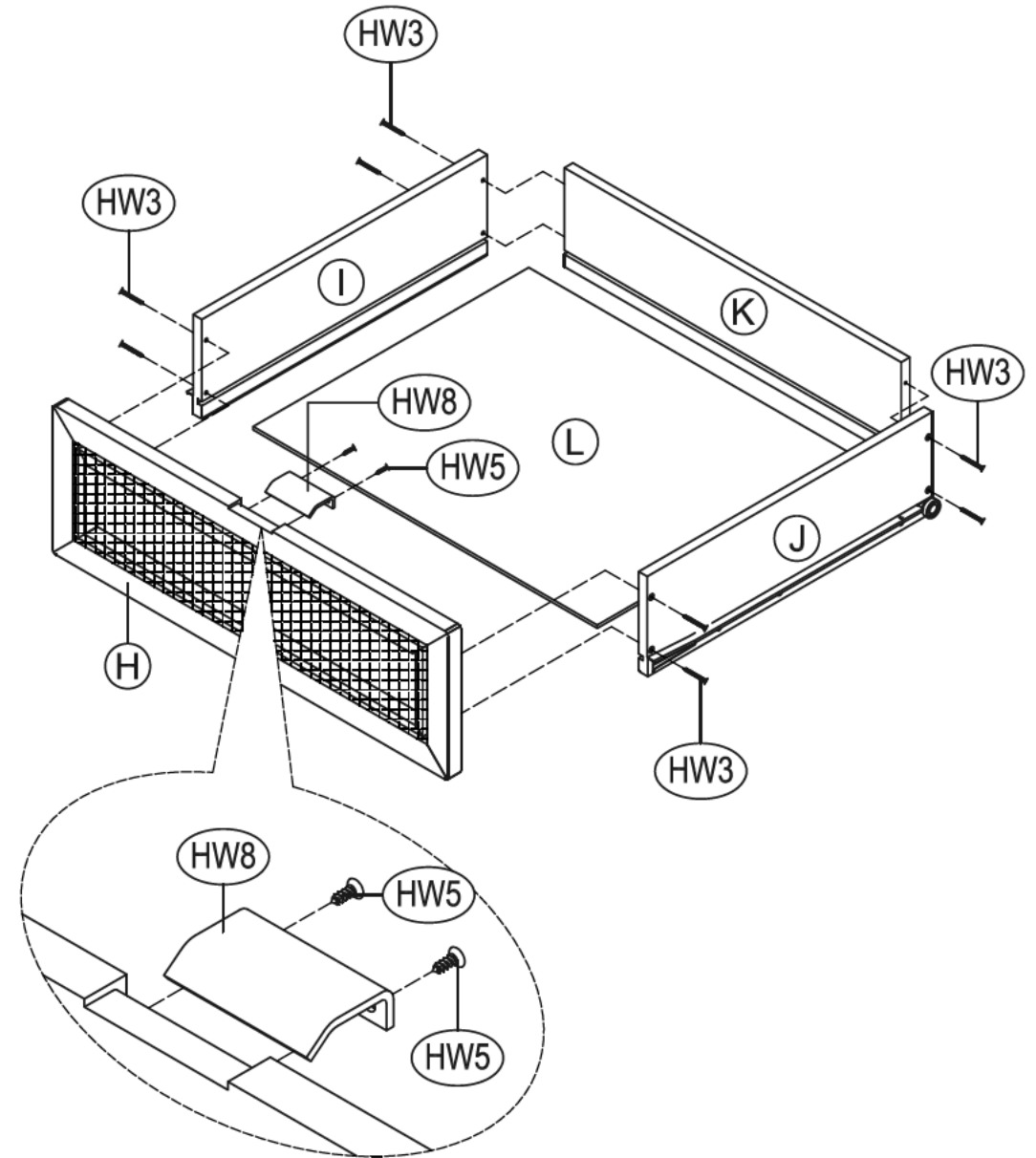


**SHORT SCREWDRIVER
FOR CAMLOCKS**

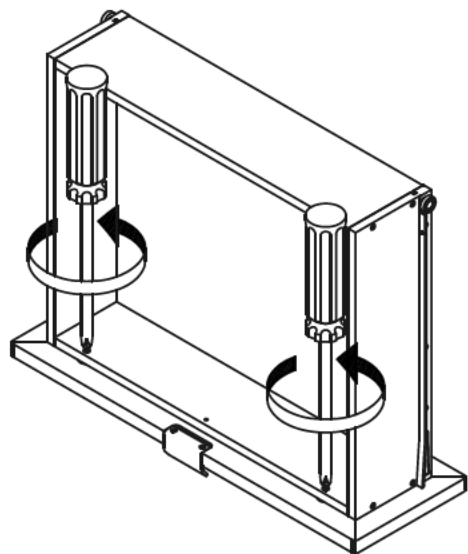
STEP 4 ATTACH BACK PANEL (F) TO UNIT USING CAMLOCKS (HW7).



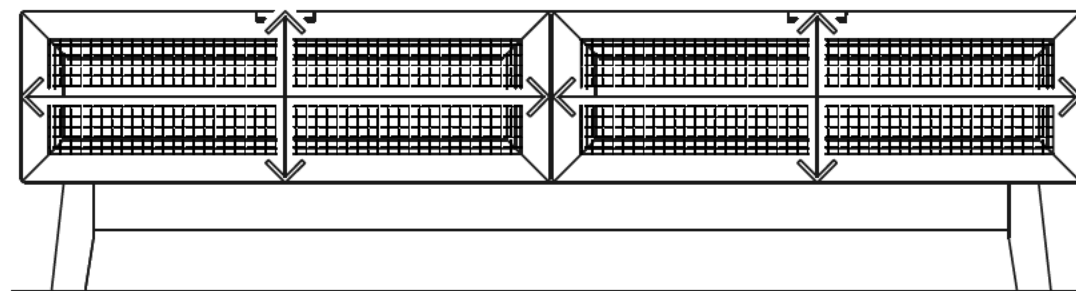
STEP 5 ATTACH LEGS (G) TO UNIT USING 20 MM BOLTS (HW1), SPRING WASHERS (HW10) AND FLAT WASHERS (HW11). TIGHTEN THE BOLTS USING ALLEN KEY (HW12).



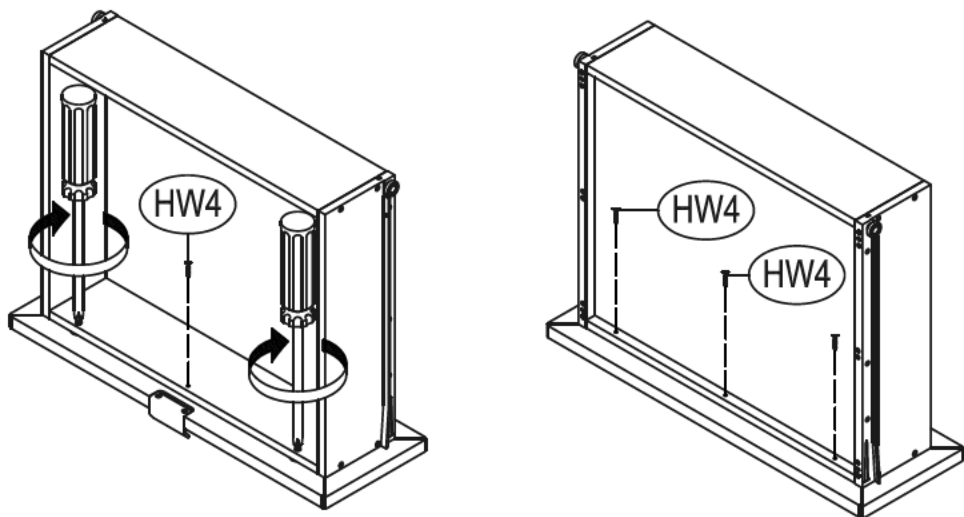
STEP 6 ATTACH HANDLE (HW8) TO DRAWER FRONT (H) USING 1/2" FLAT HEAD SCREWS (HW5). ATTACH DRAWER LEFT (I) AND DRAWER RIGHT (J) TO DRAWER BACK (K) USING 1 1/4" FLAT HEAD SCREWS (HW3). SLIDE DRAWER BASE (L) INTO THE GROOVE. ATTACH DRAWER FRONT (H) TO DRAWER LEFT AND RIGHT (I) AND (J) USING 1 1/4" FLAT HEAD SCREWS (HW3).



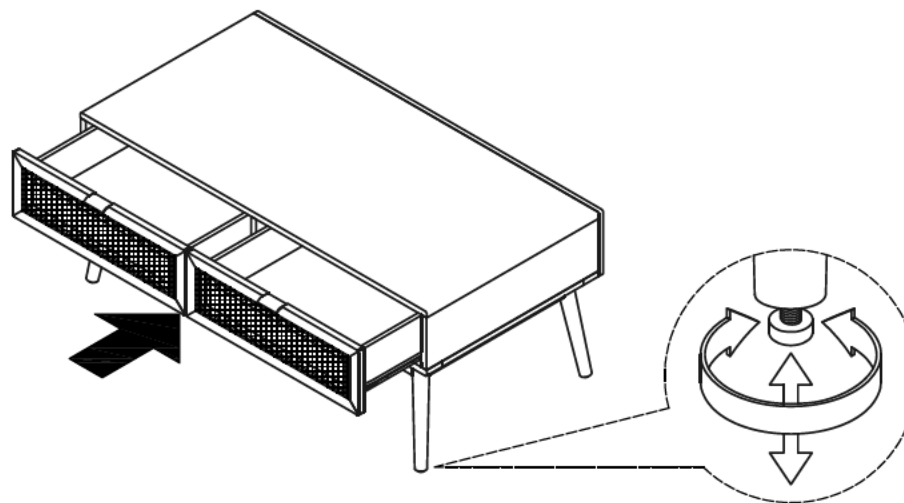
STEP 7 LOOSEN SLIGHTLY THE SCREWS PRE-INSTALLED ON THE BACK OF THE DRAWER FRONTS.



STEP 8 INSERT THE DRAWER INTO THE UNIT, THEN ADJUST THE DRAWER FRONT PANEL LEFT OR RIGHT AND UP OR DOWN UNTIL THE DRAWER GAPS LOOK PROPORTIONAL.



STEP 9 PULL THE DRAWER OPEN SLOWLY AND RE-TIGHTEN THE SCREWS FROM STEP 7. MAKE SURE THE FRONT PANEL DOES NOT MOVE AND LOCK THE DRAWER FRONT PANEL INTO POSITION WITH 3/4" FLAT HEAD SCREWS (HW4).



STEP 10 SLIDE THE DRAWERS INTO UNIT. ADJUST THE ADJUSTER THAT HAS ALREADY BEEN ASSEMBLED TO THE LEGS TO STABILIZE YOUR UNIT.