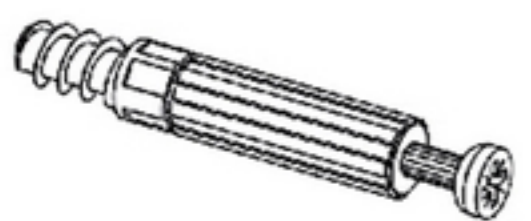

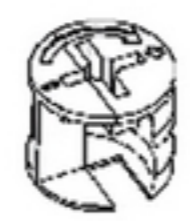
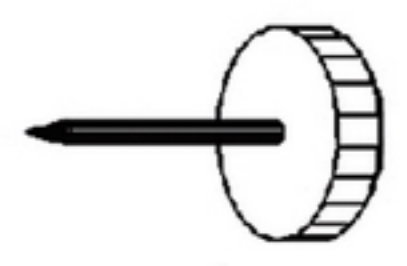
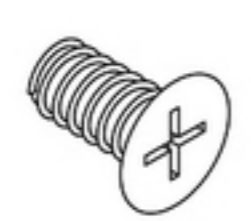
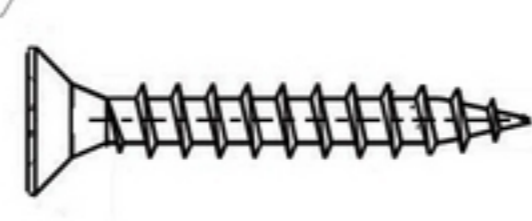

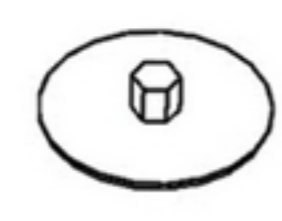
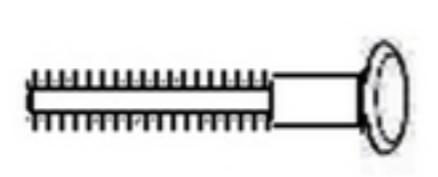





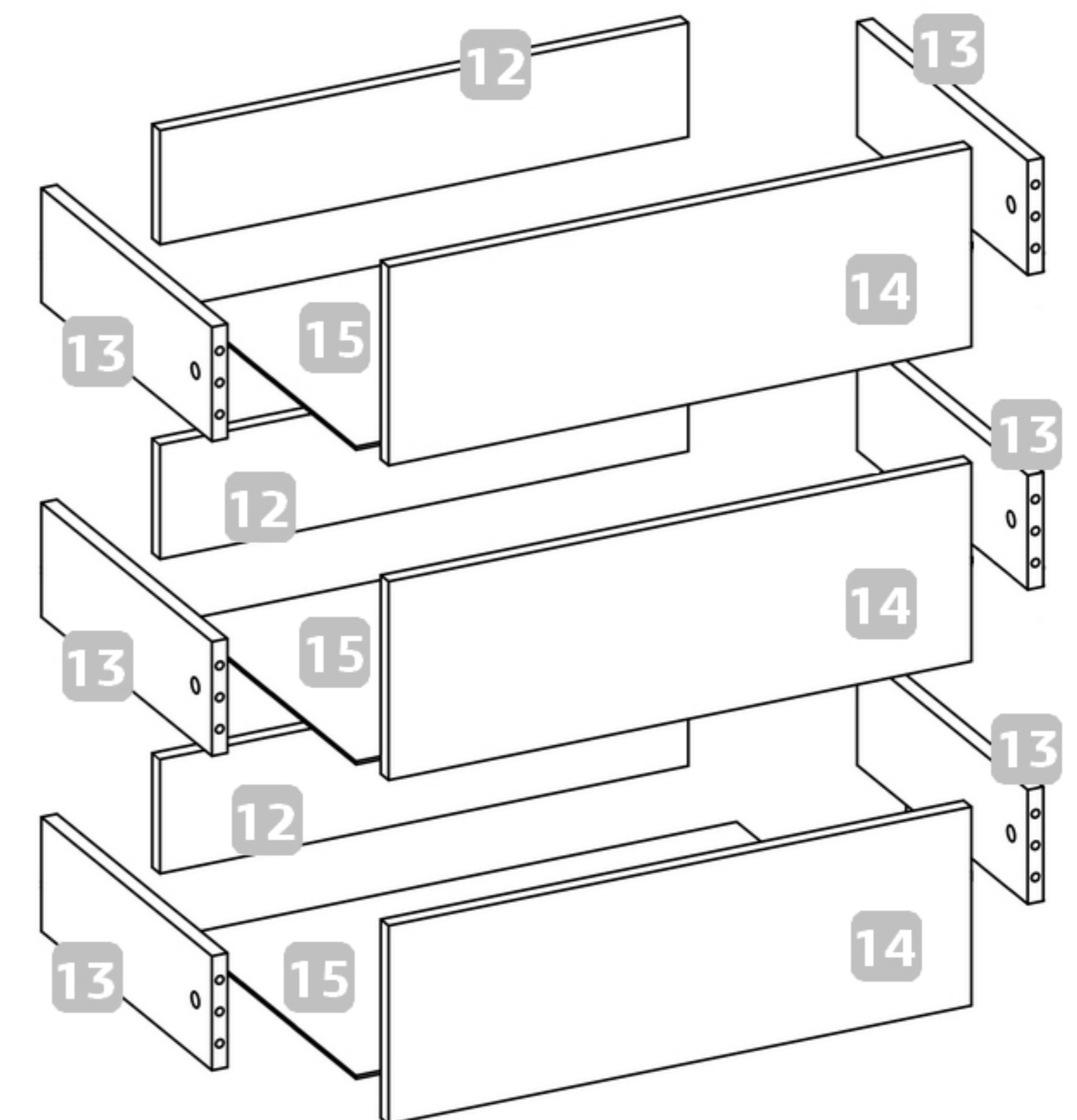
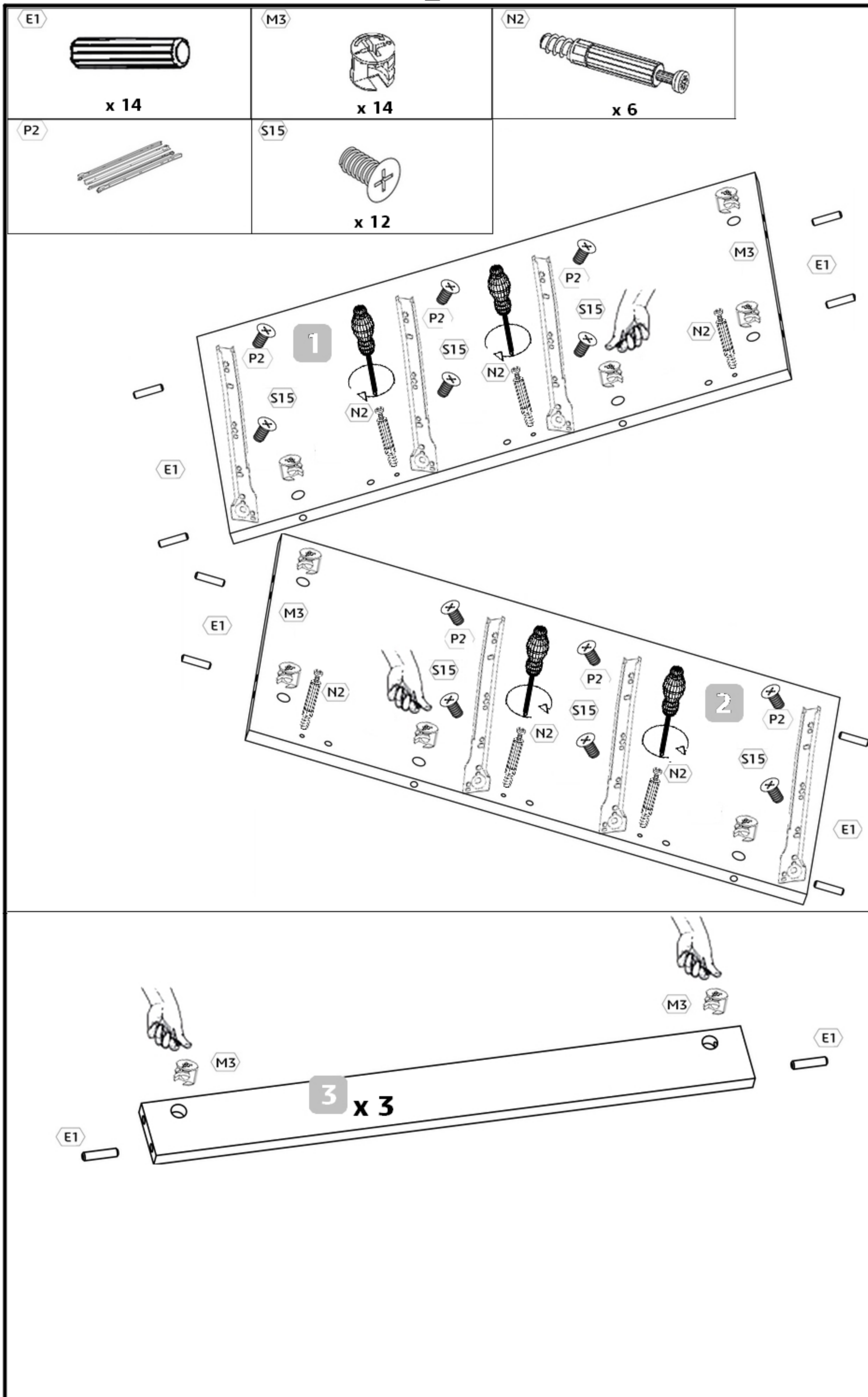


<p>N2</p>  <p>L=45mm x 31</p>	<p>E1</p>  <p>8x35mm x 38</p>	<p>M3</p>  <p>12x15mm x 35</p>
<p>T1</p>  <p>x 4</p>	<p>S15</p>  <p>6x8mm x 12</p>	<p>S1</p>  <p>3,5x16mm x 12</p>
<p>P2</p>  <p>L=350mm x 3</p>	<p>M2</p>  <p>ø17mm x 6</p>	<p>E4</p>  <p>L=42mm x 12</p>
<p>Z2</p>  <p>x 60</p>	<p>F2</p>  <p>7x50mm x 4</p>	<p>K1</p>  <p>x 1</p>
		<p>L1</p>  <p>L=737mm x 1</p>
		<p>N3</p>  <p>L=66mm x 2</p>

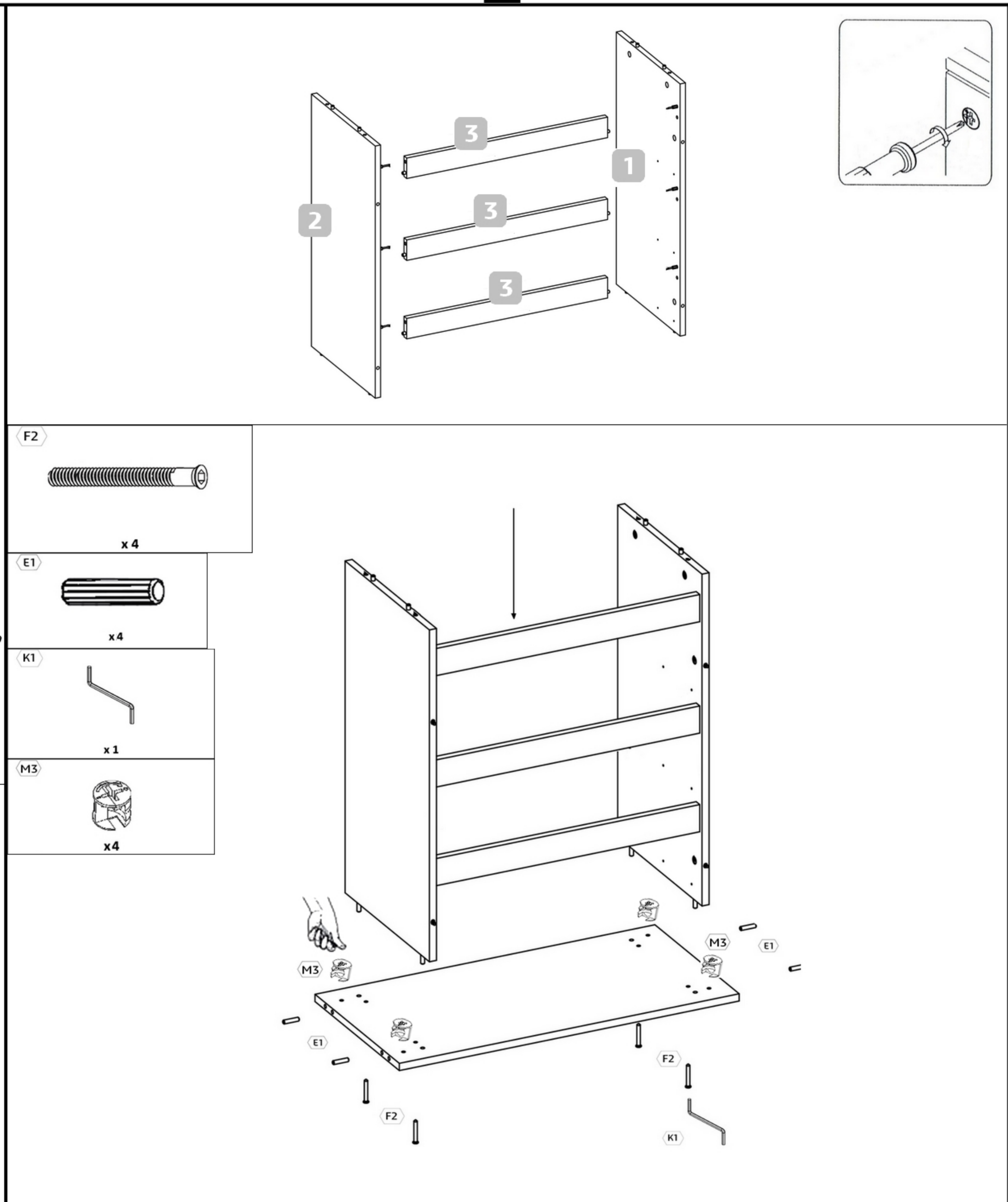
- 1 x1
- 2 x1
- 3 x3
- 4 x1
- 5 x1
- 6 x1
- 7 x1
- 8 x1
- 9 x1
- 10 x1
- 11 x2
- 12 x3
- 13 x6
- 14 x3
- 15 x3



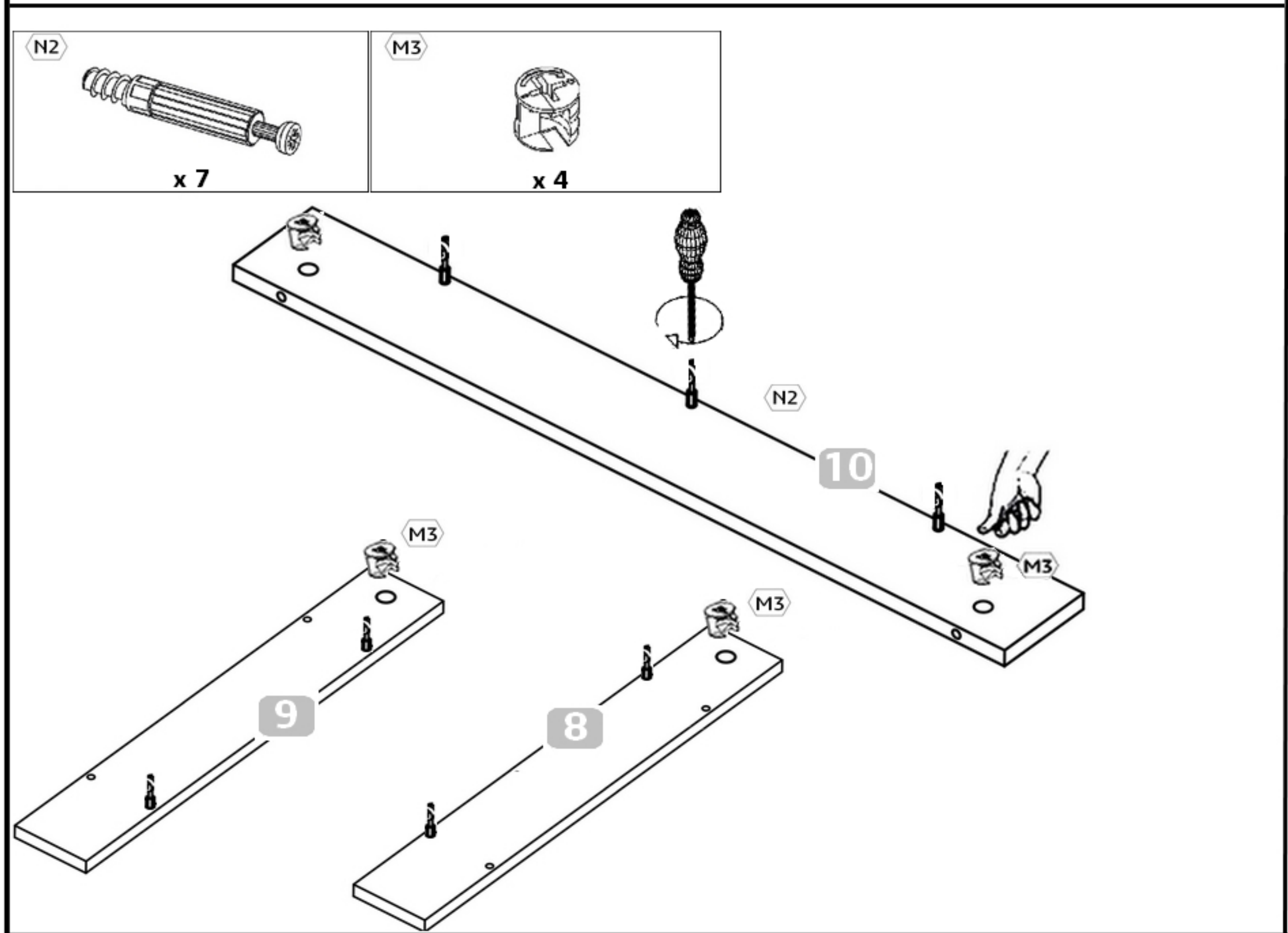
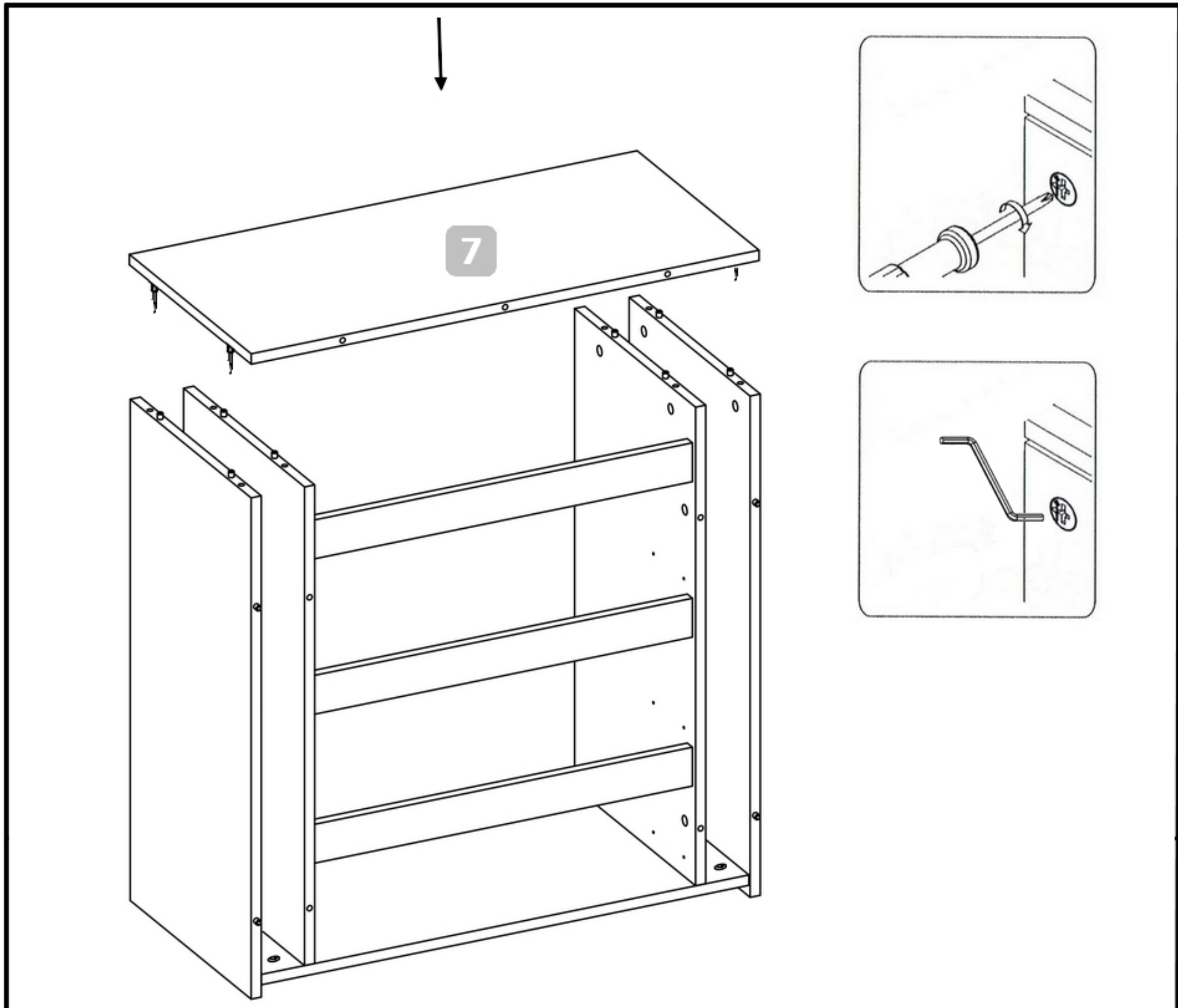
1



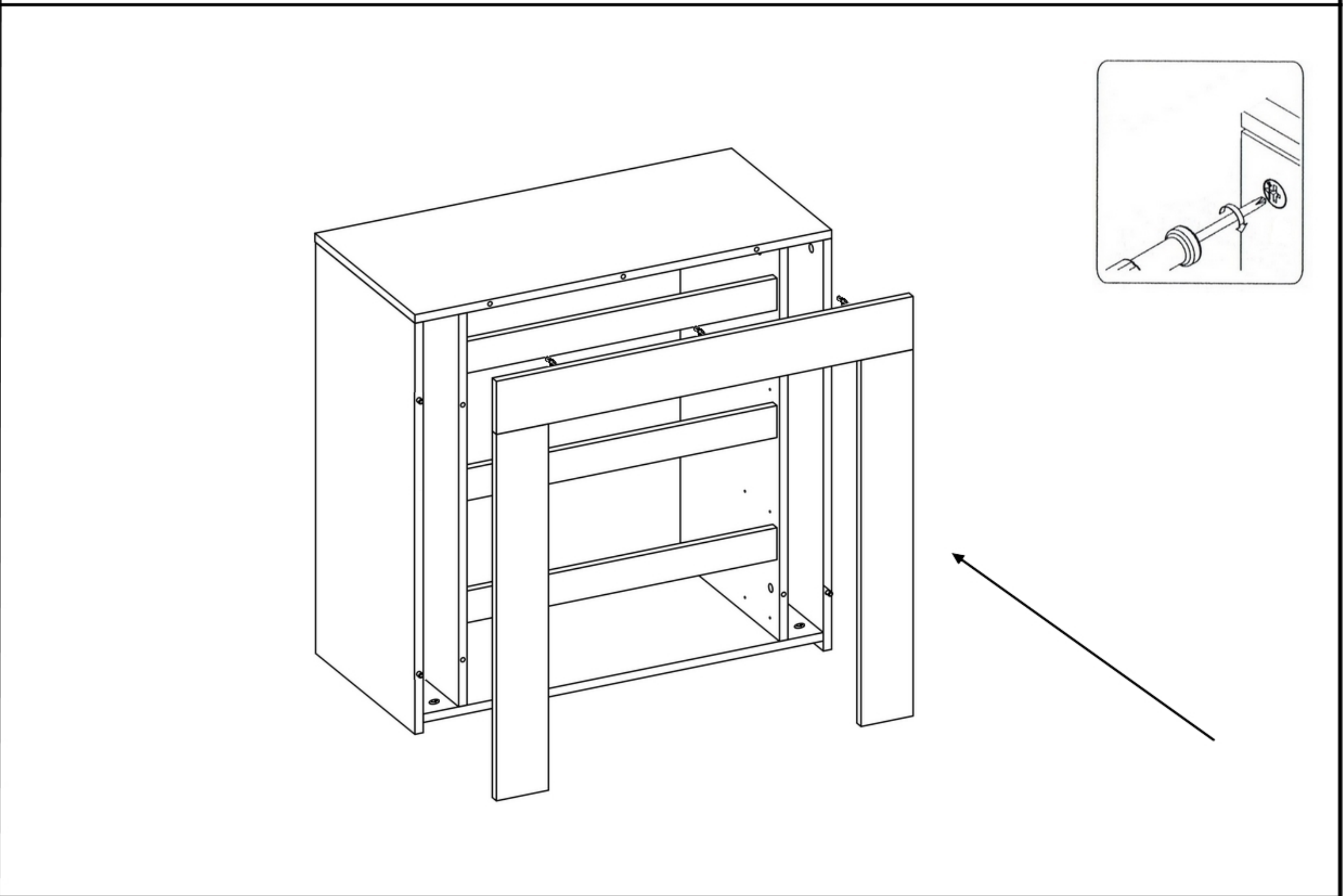
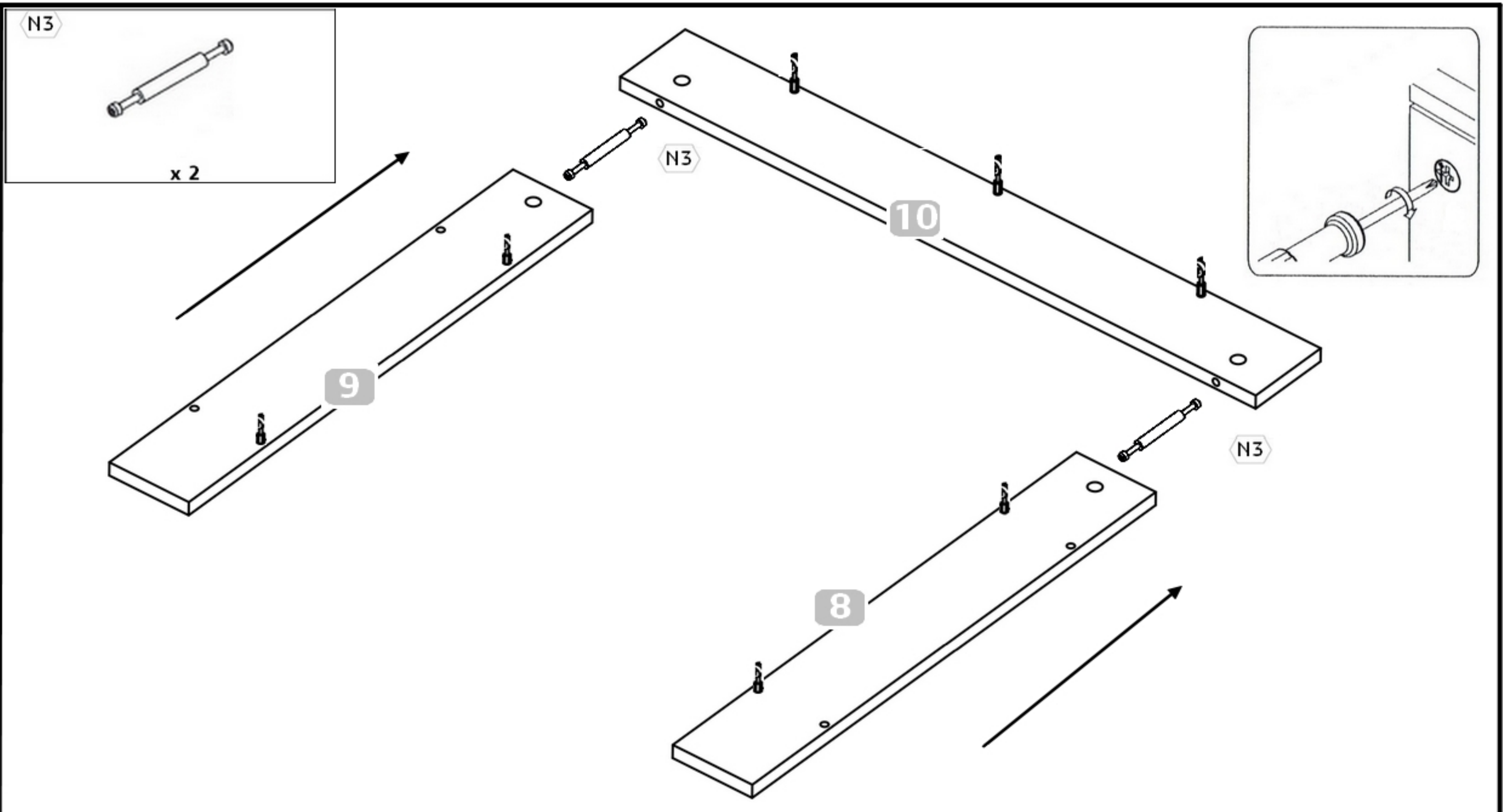
2



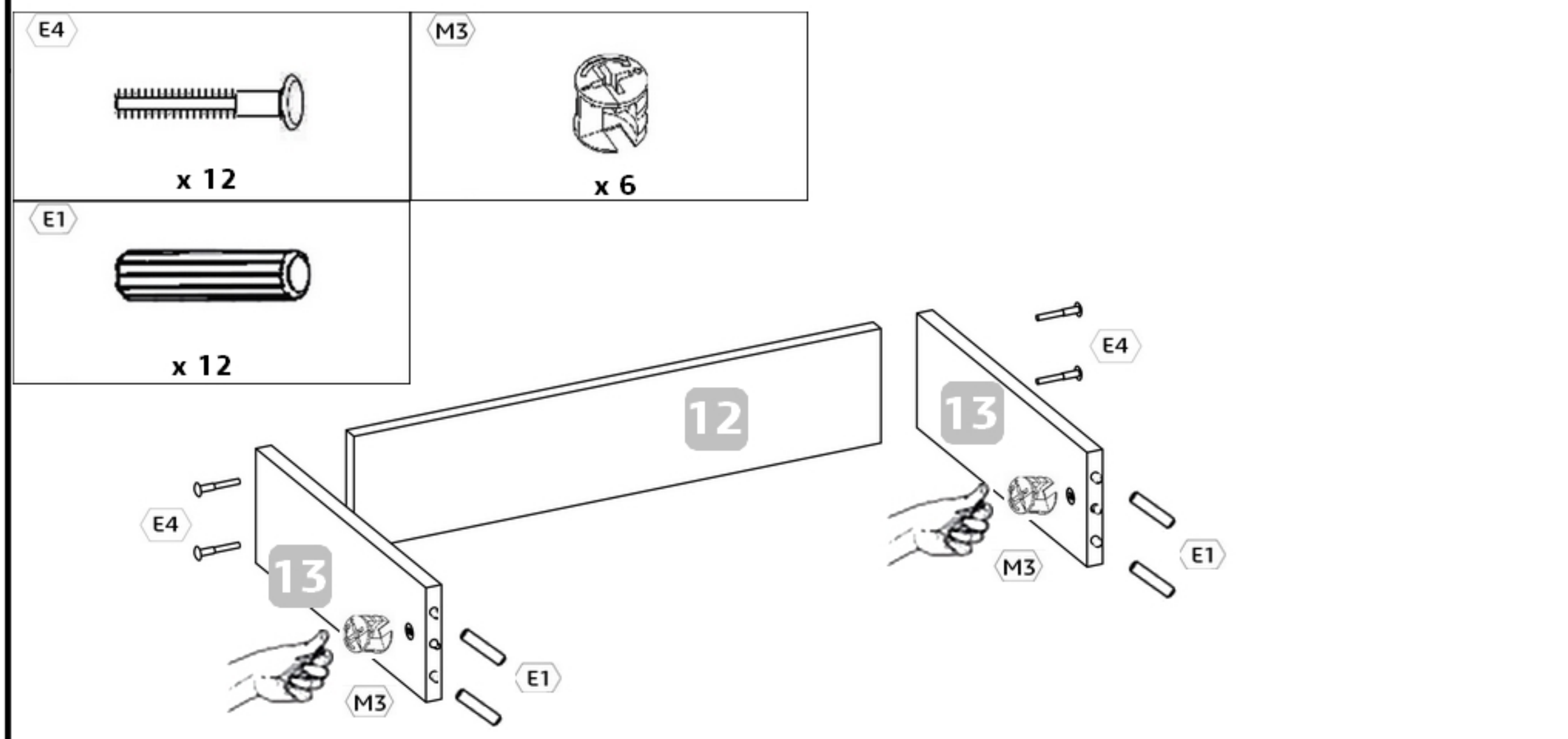
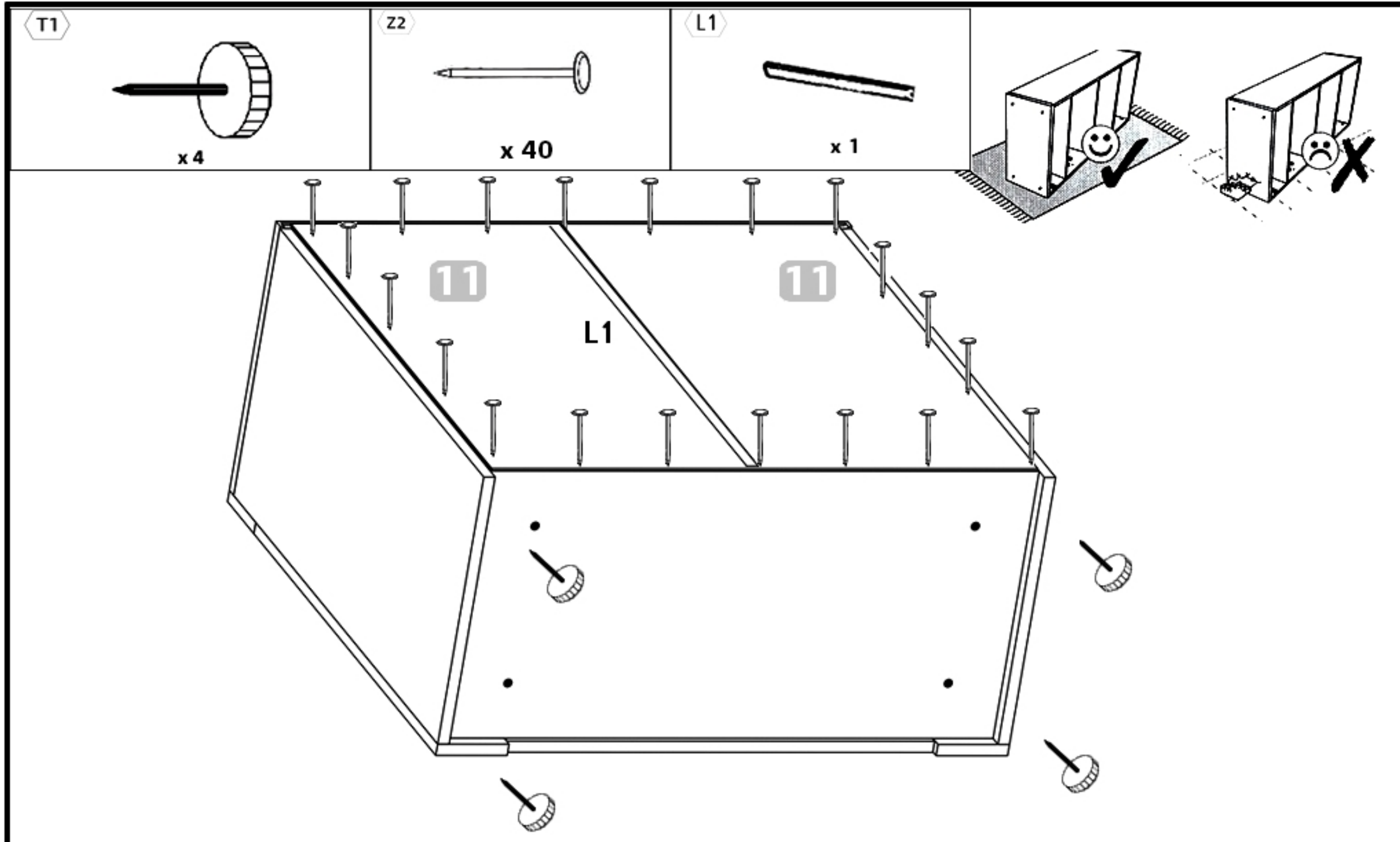
5



6

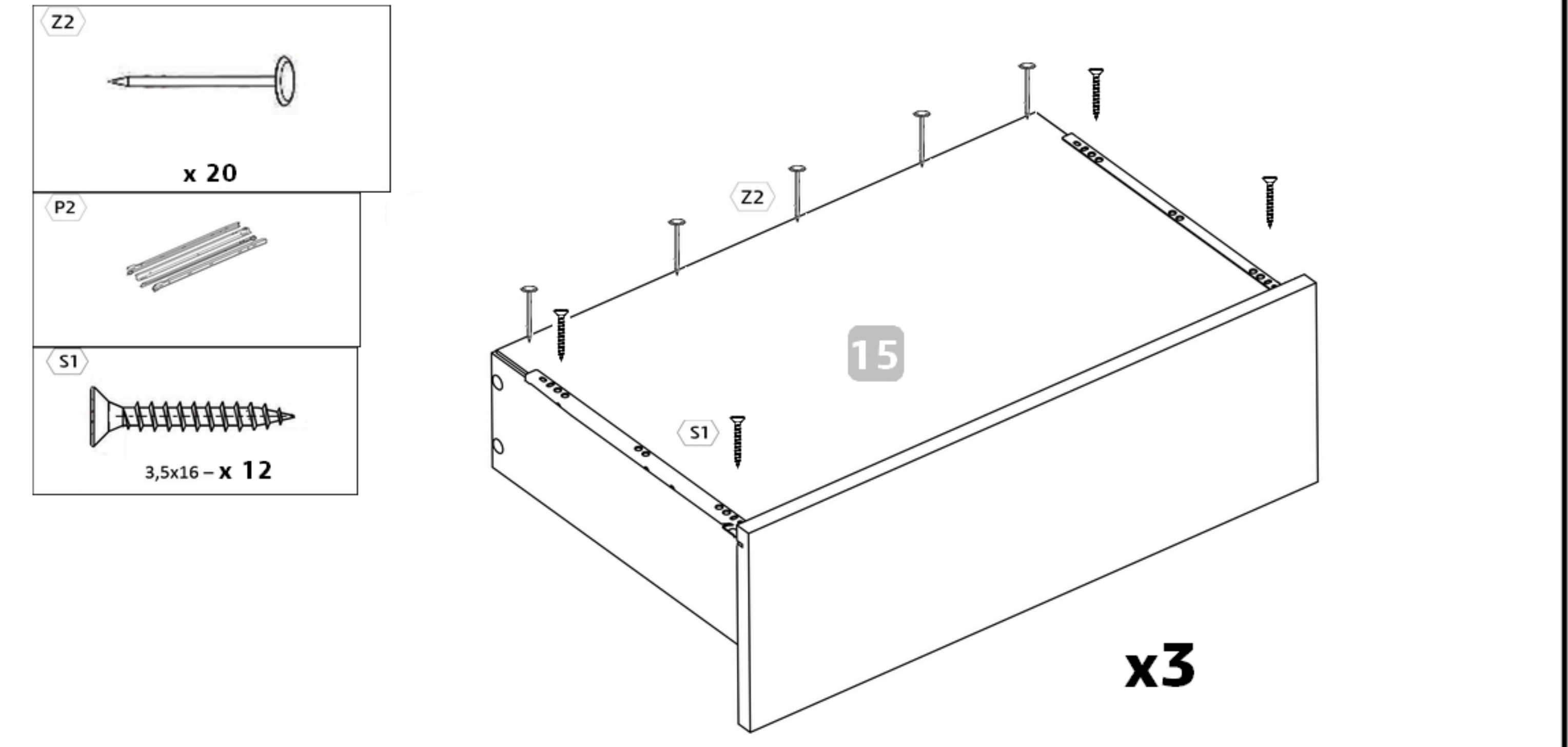
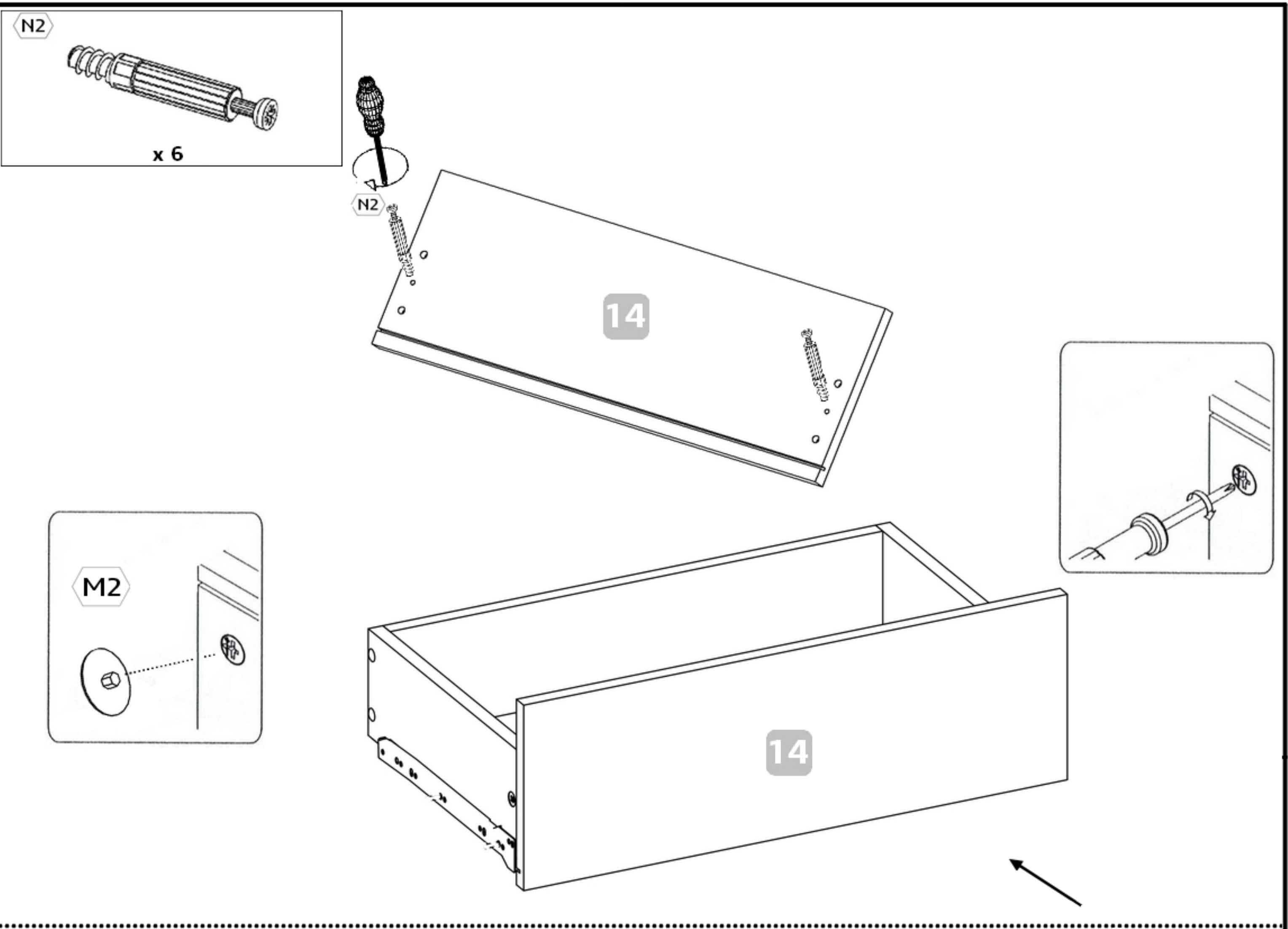


7



x3

8



x3