

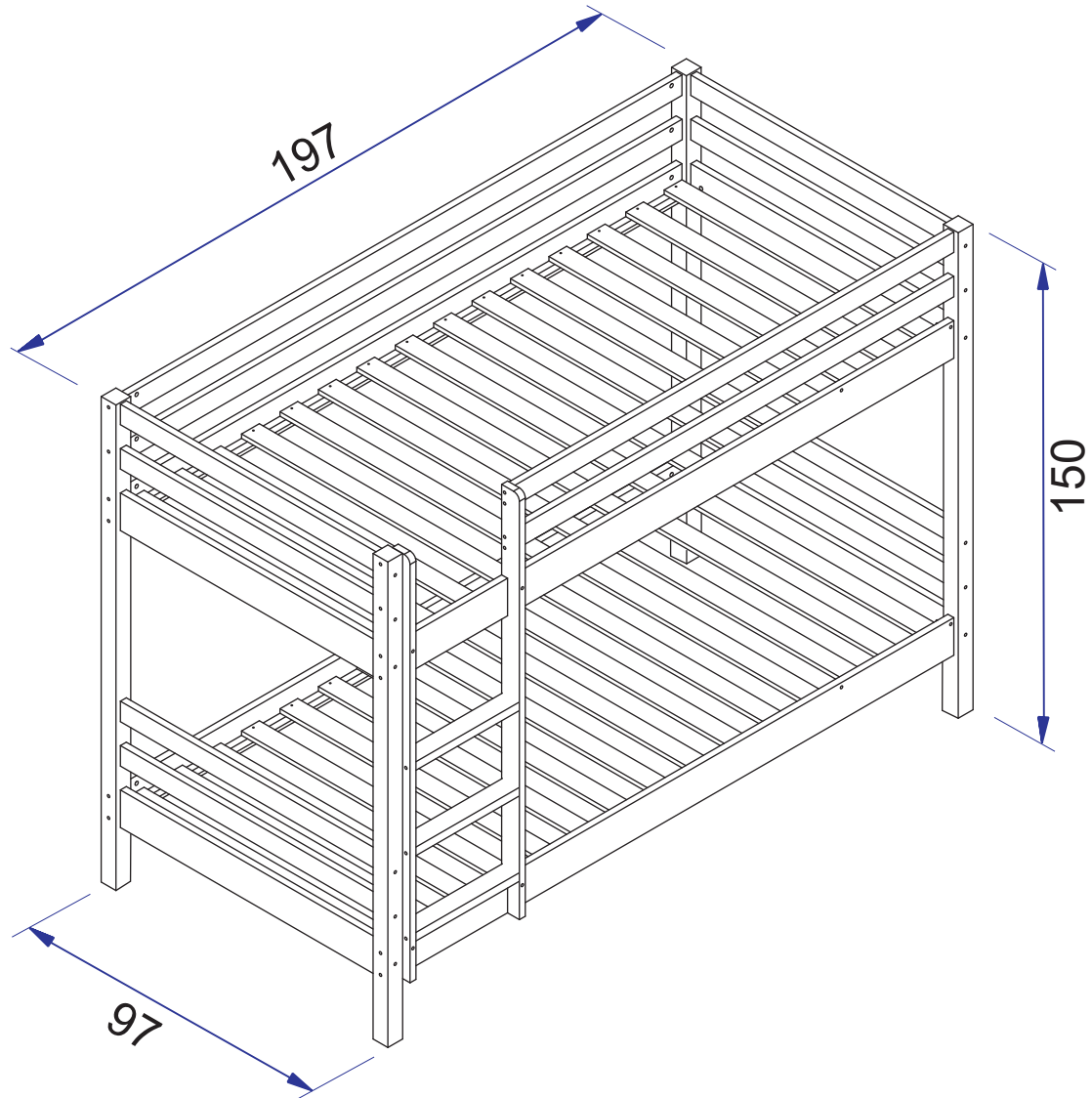
GLOBAL PROCUREMENT AND MARKETING LIMITED


Henley Bunk Bed

Assembly Instructions – Please keep for future reference

BUNHENWHT

BUNHENGRY



Dimensions	No. people	Assembly Time	SKU #
Width: 197 cm		60 mins (approx.)	BUNHENWHT
Depth: 97 cm			BUNHENGRY
Height: 150 cm			

thank you

For purchasing this
GPM Limited
product

Important

- PLEASE READ THESE INSTRUCTIONS FULLY BEFORE STARTING ASSEMBLY
- PLEASE DO NOT THROW THE PACKAGING AWAY UNTIL YOU ARE SATISFIED WITH PURCHASE, GOODS NEED TO BE RETURNED IN ORIGINAL PACKAGING.

If you need help or have damaged or missing parts, please email aftersales@gpmfurniture.co.uk

Safety and Care Advice

Important

- PLEASE READ THESE INSTRUCTIONS FULLY BEFORE STARTING ASSEMBLY
- PLEASE DO NOT THROW THE PACKAGING AWAY UNTIL YOU ARE SATISFIED WITH PURCHASE, GOODS NEED TO BE RETURNED IN ORIGINAL PACKAGING.

- Check you have all the components and tools listed on pages 4 and 5.
- Remove all fittings from the plastic bags and separate them into their groups.
- Keep children and animals away from the work area, small parts could choke if swallowed.
- Make sure you have enough space to lay out the parts before starting.
- Do not stand or put weight on the product, this could cause damage.
- Assemble the item as close to its final position (in the same room) as possible.
- Assemble on a soft, level surface to avoid damaging the unit or your floor.
- We do not recommend the use of power drill/drivers for inserting screws, as this could damage the unit. Only use hand screwdrivers.
- Dispose of all packaging carefully and responsibly.



Care and Maintenance

- Only clean using a damp cloth and mild detergent, do not use bleach or abrasive cleaners.
- From time to time check that there are no loose screws on this unit.
- This product should not be discarded with household waste. Take to your local authority waste disposal centre.

If kept outside please ensure in the winter months that the product is correctly covered or put away into a dry environment to prevent corrosion, weathering or damage.

If your product is not designed to be outside, we recommend that it is always kept indoors in a dry environment.

Components - Panels

Please check that you have all the components listed below before constructing your item.





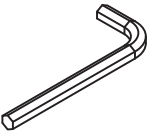
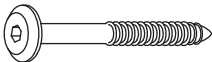
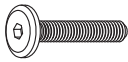
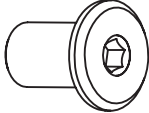
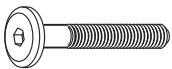



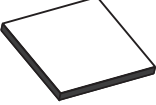
Part No	Description	Qty	Size (mm)	Thickness (mm)
1	LEG	2	1500x45	45
2	LEG	2	1500x45	45
3	HEADBOARD	8	880x60	18
4	FOOTBOARD	4	880x90	18
5	LONG FENCE	2	1880x60	18
6	SHORT FENCE	2	1490x60	18
7	BEDSIDE	2	1880x90	20
8	BEDSIDE	2	1880x90	20
9	LADDER PEDAL	3	350x55	25
10	LADDER SIDE PANEL	2	1250x60	20
11	SLATS	30	900x60	13

Components - Fixings

If you have damaged or missing components,
email: aftersales@gpmfurniture.co.uk

Please check that you have all the components listed below before constructing your item.

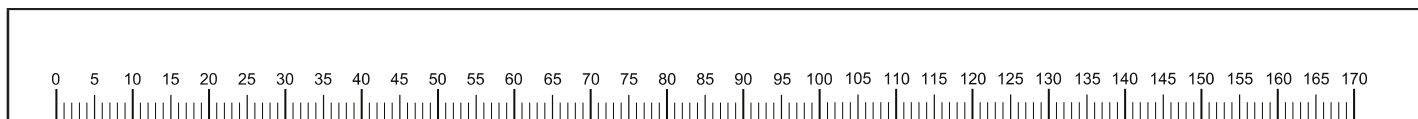
Note: The quantities below are the correct amount to complete the assembly. In some cases more fittings may be supplied than are required.

(A)	Screw x60  Ø4 x30mm	(B) Bolt x30  M6 x90mm	(C) Wooden dowel x50  Ø8 x30mm	(D) Nut x 32 
(E)	Allen key x2 	(F) Screw x16  Ø6x90 mm	(G) Bolt x4  M6x50mm	(H) x6 
(J)	Bolt x2  M6x60mm	(K) Screw x12  Ø7 x60mm	(L) x8 	(M) Bolt x2  M6x55mm
(N)	x4 			

Tools Required



Ruler – Use this to measure your screws (mm)



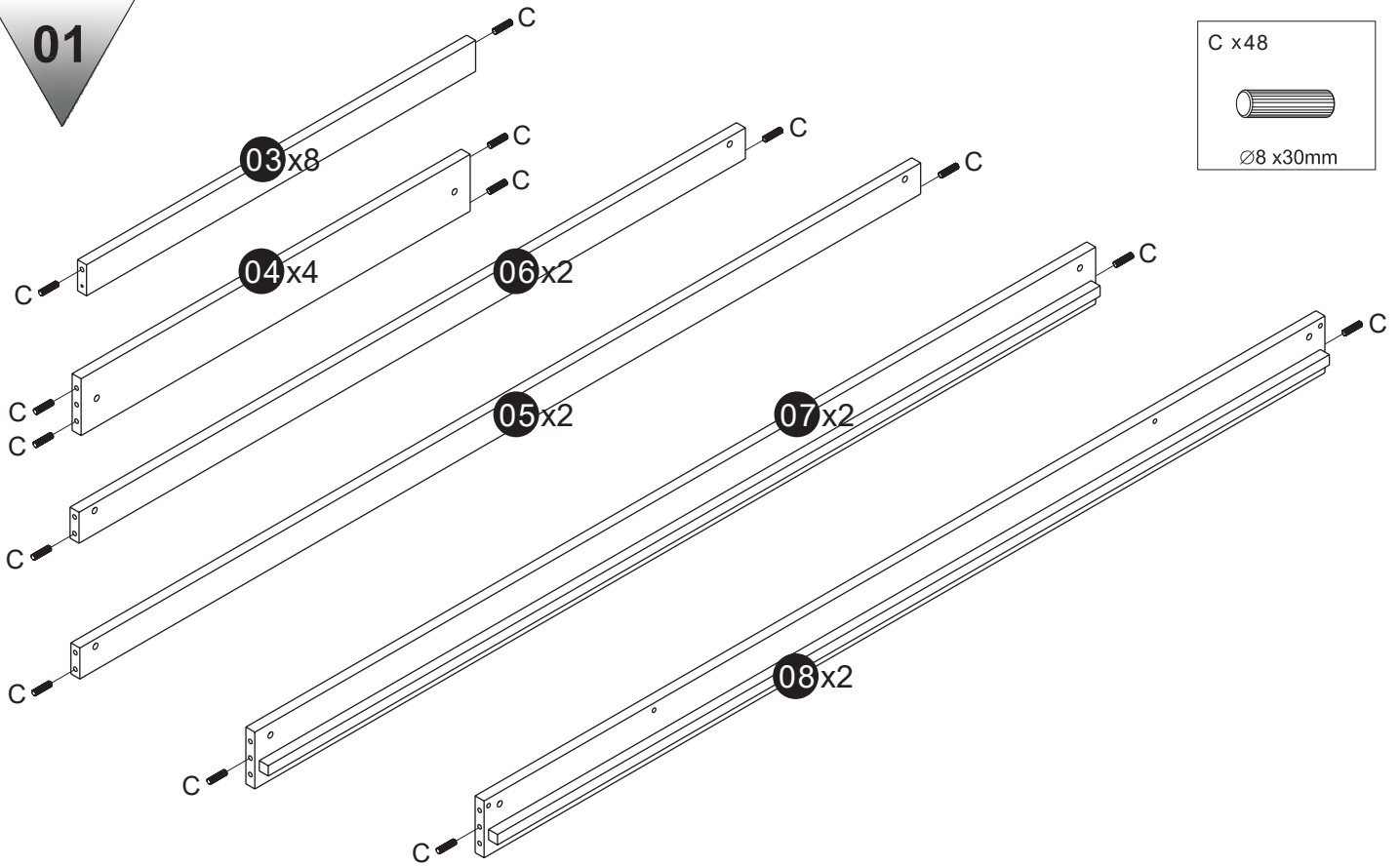
Important – Please read these instructions fully before starting assembly

If you need help or have damaged or missing parts, please email aftersales@gpmfurniture.co.uk

Assembly Instructions

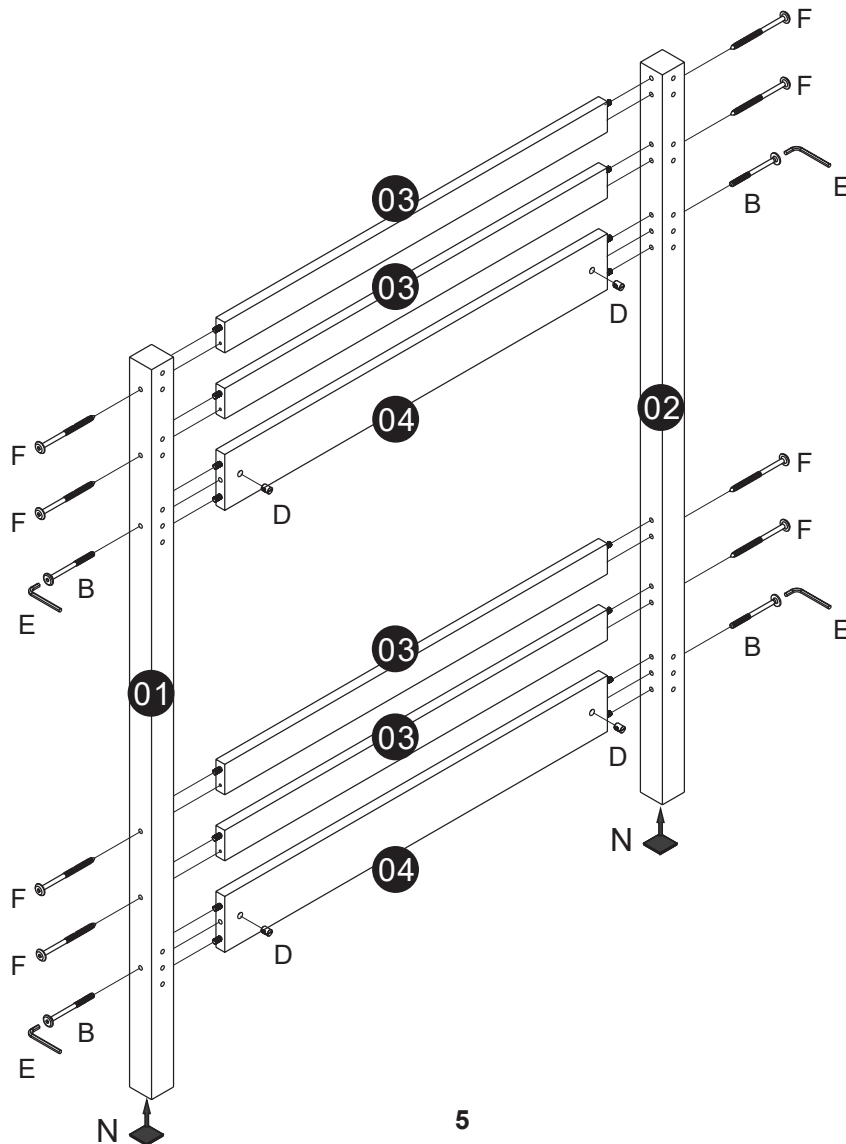
If you have damaged or missing components,
email: aftersales@gpmfurniture.co.uk

01

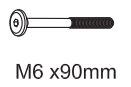


02

x2



B x 8



M6 x90mm

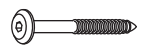
D x 8



E x 1



F x 16



Ø6x90mm

N x 4



03

B x22

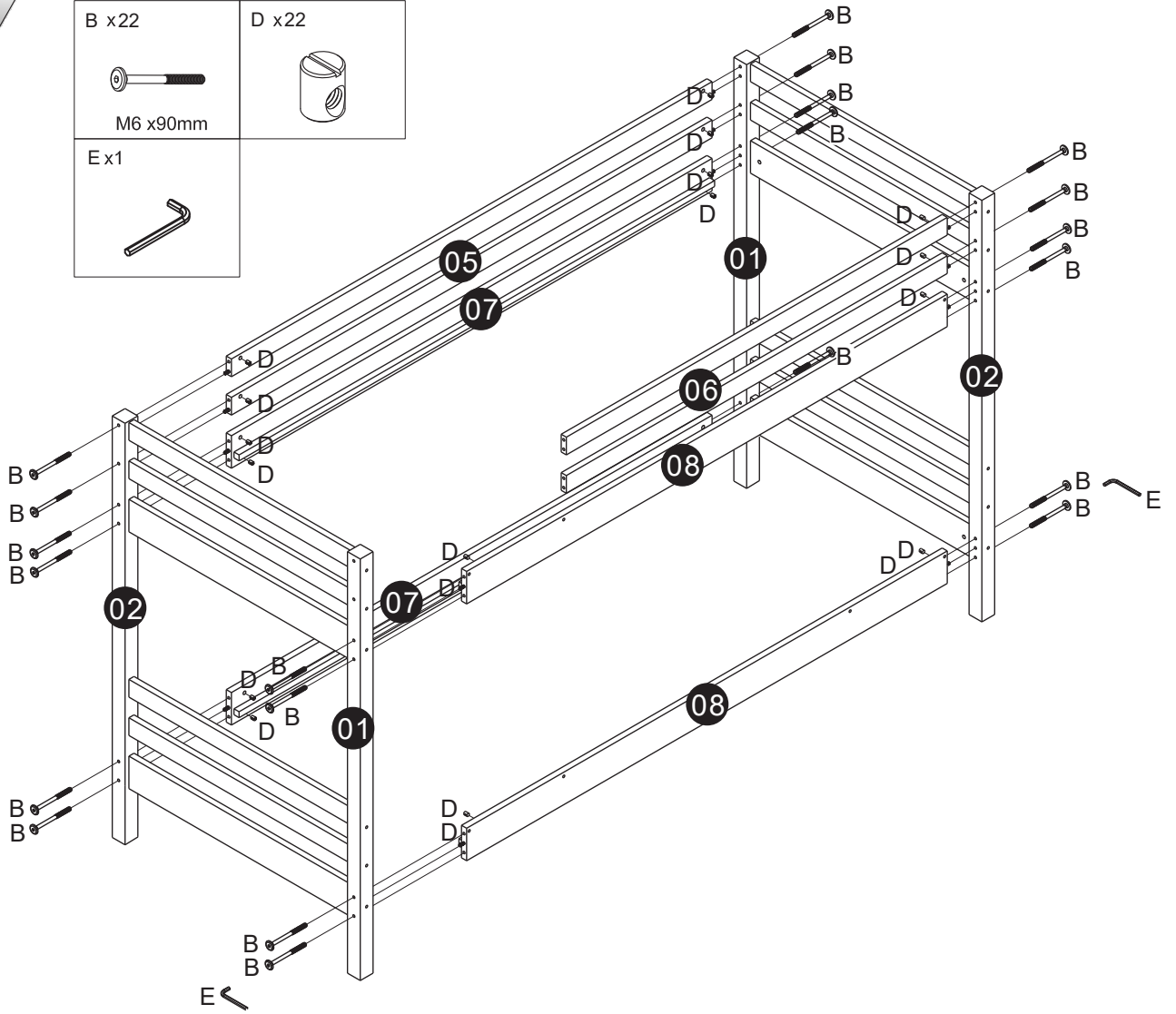


M6 x90mm

D x22



E x1



04

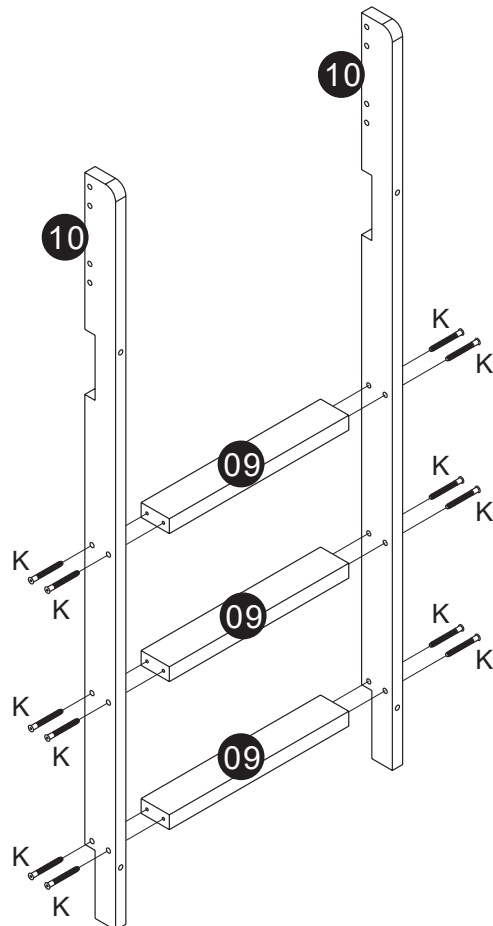
E x1



K x12



Ø7 x60mm

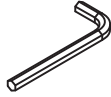


05

D x2



E x2



G x4

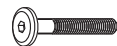


M6x50mm

H x6



J x2



M6x60mm

L x8

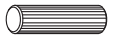


M x2

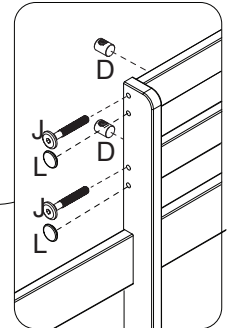
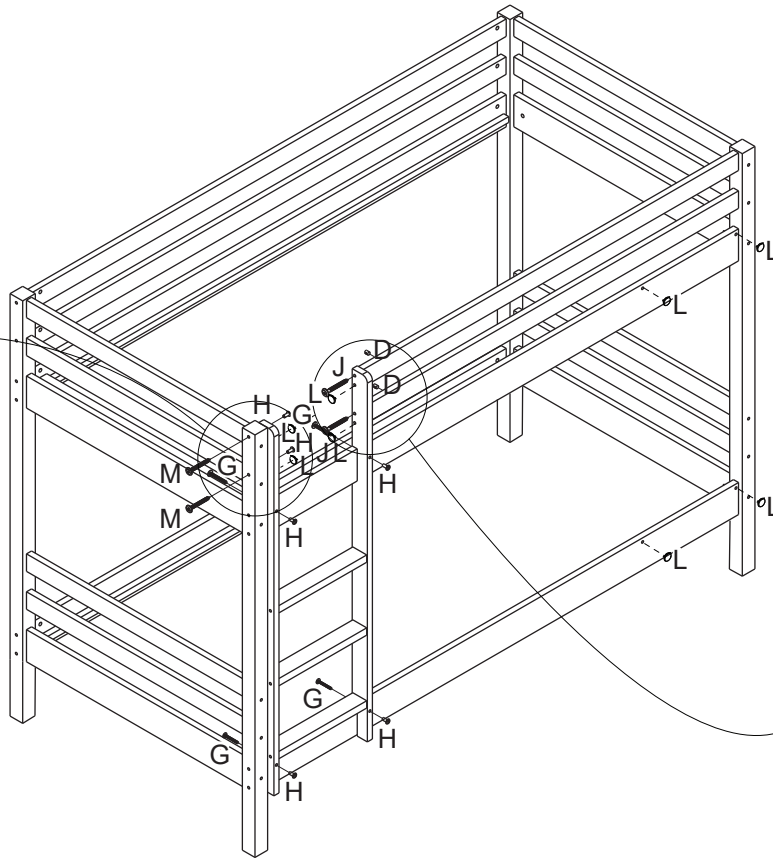
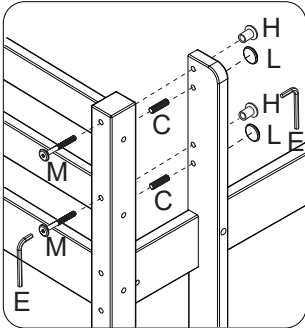


M6x55mm

C x2



∅8 x30mm

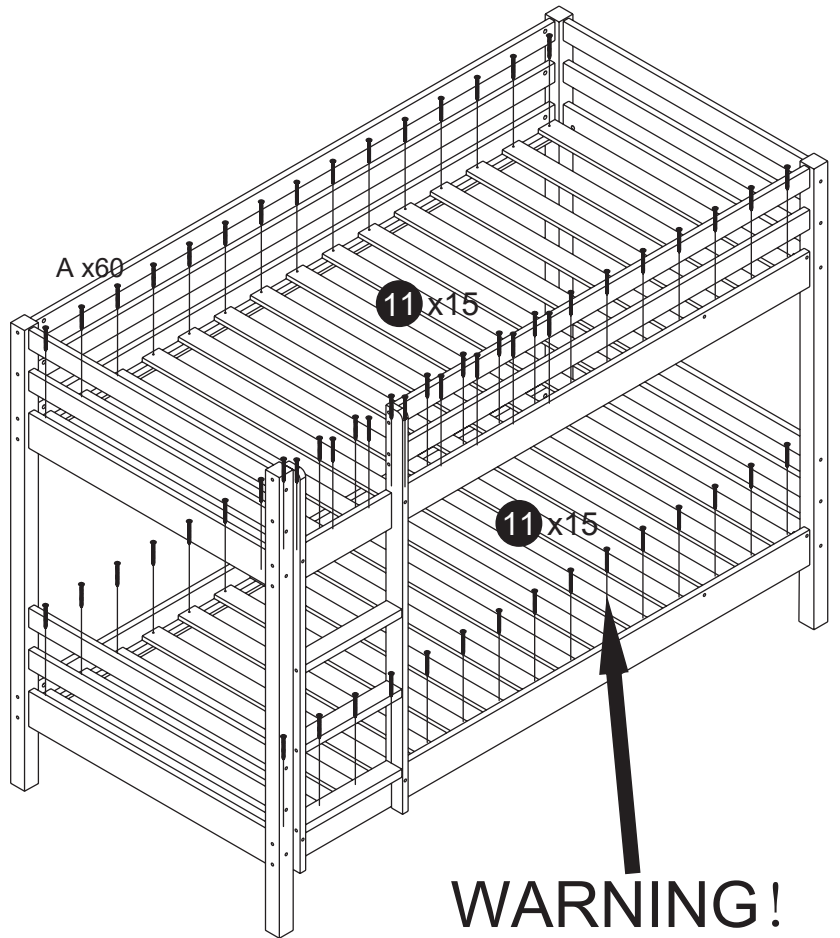
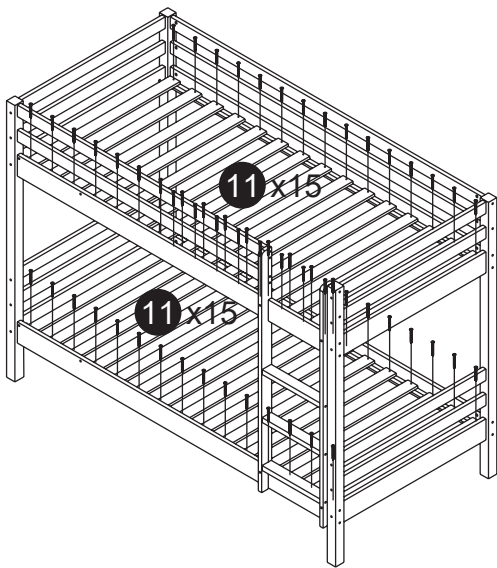


06

A x60



∅4 x30mm



WARNING!

Press the middle of the bed sides and tighten the screw first!!!