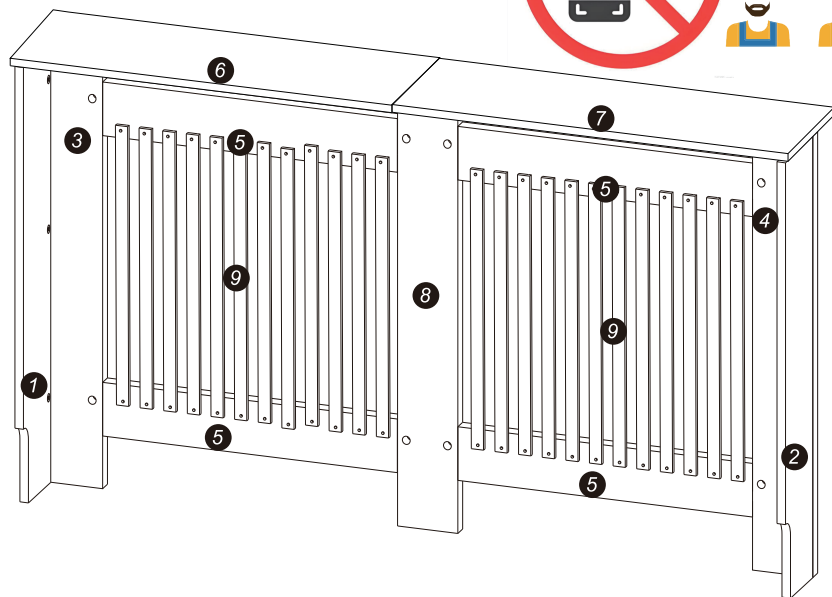
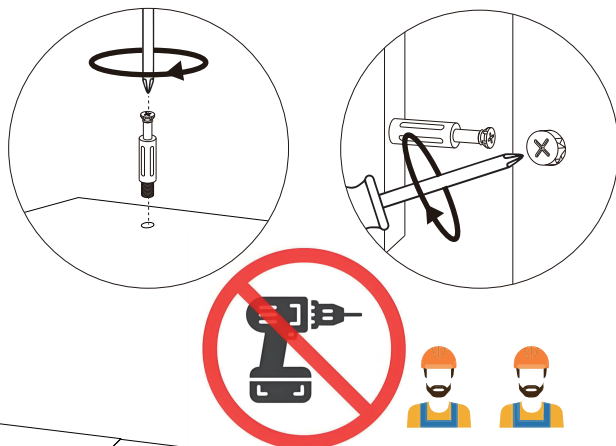


INSTRUCTION
ANWEISUNG
取扱説明書
INSTRUCTION
사용설명서



eVatmaster Consulting GmbH
Raiffeisen Street2B11,63110 Rodgau,
Hessen,Germany
contact@evatmaster.com

EU001733275535428rdNW
We simply act as an EU representative for cross-border sellers, and are not manufacturers/importers/distributors for the product, nor involved in the manufacture/import/sale of the product. There-fore, we are not responsible for any after-sales services related to the product. In case of any product quality or infringement issues, the manufacturer/importer/seller shall be solely held responsible.



FR
Ce meuble se recycle,
s'il n'est plus utilisable
déposez-le en déchèterie.
Notice à trier.
Pour en savoir plus:
www.quefaire.demesdechets.fr



Company:YH Consulting Limited
Address: C/O YH Consulting Limited Office 147,
Centurion House , London Road ,
Staines-upon-Thames , Surrey , TW18 4AX



ÉLÉMENTS D'EMBALLAGE
À SÉPARER ET À DÉPOSER
DANS LE BAC DE TRI



1 x1



2 x1



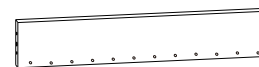
3 x1



4 x1



5 x4



6 x1



7 x1



8 x1



9 x24



A *22



B *22



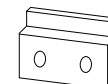
C *48



D *17



E *2



F *4



G *4



