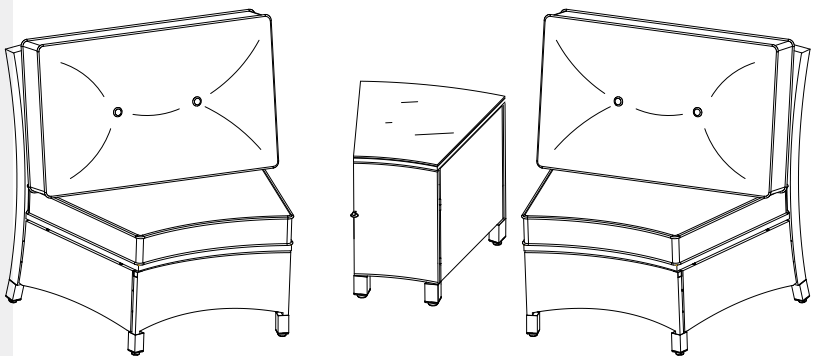


MANUAL INSTRUCTION

**3 Pieces Outdoor Half-Moon Sectional
Patio Furniture Set**



ATTENTION

1. This patio furniture sofa set comes with 3 box, please check the parts list and hardware list carefully to make sure you've received all parts.
2. Be sure not to overtighten during installation, and never tighten all screw components until they are all installed on each seat.
3. If there are any missing parts, please contact us with-the missing part and the missing part number, we'll resend them to you ASAP.
4. If there are any damaged parts, please contact us with clear picture or clear video, we'll offer you the best solution after confirming it.

⚠️ WARRANTY AND RETURN

- We offer 1 year warranty and free replacement for all damaged or defective parts you received. Check the condition of your package once upon the delivery.
- If you have any questions, please contact our customer service immediately.

TOOLS REQUIRED



ALLEN WRENCH
(WITH THE PRODUCT)



DO not use machine



2 Persons
Assembly



Minimum
60 Minutes
For Assembly

How To Cover Holes & Repair Broken Wicker

You can use two pieces PE wicker to cover the hole, and repeat the steps to cover all the holes. These PE wicker can also be used to repair the scratch or broken wicker.



Step 1



Step 2

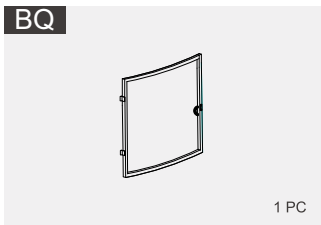
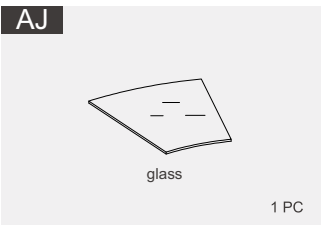
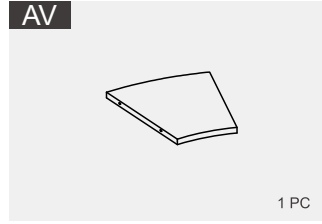
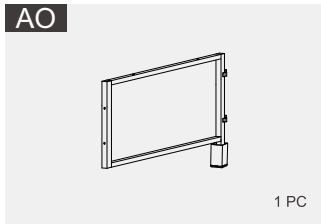
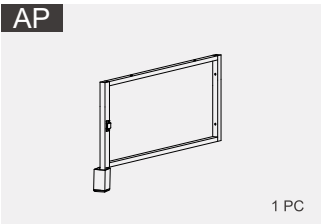
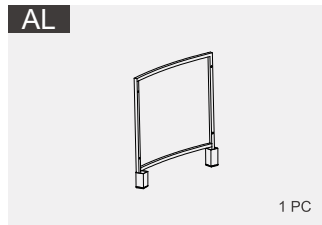
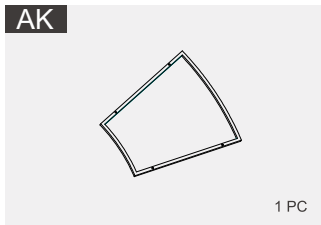
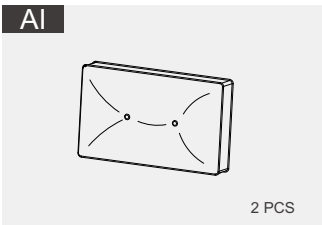
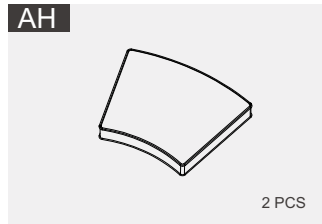
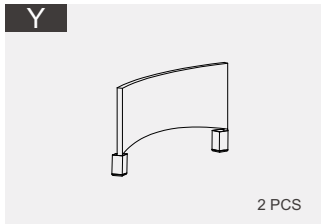
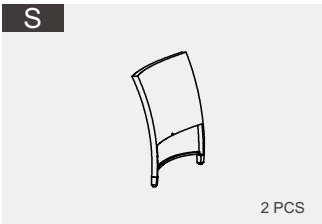
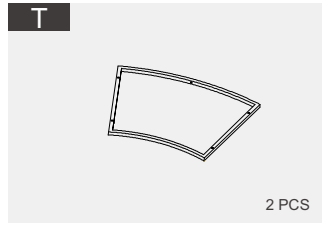
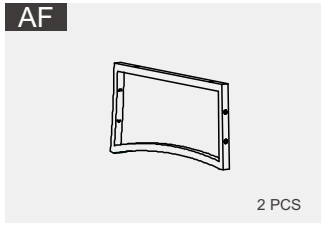
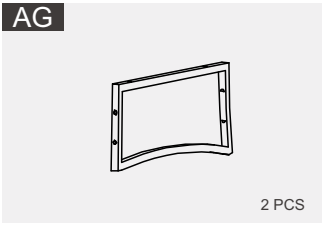


Step 3



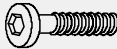
Step 4

PARTS Packing List of Box B



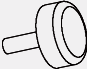
I HARDWARE

4 M6*35mm




38+2 PCS

8 ϕ 25*20mm



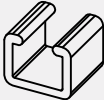
12+2 PCS

10 M6



1 PC

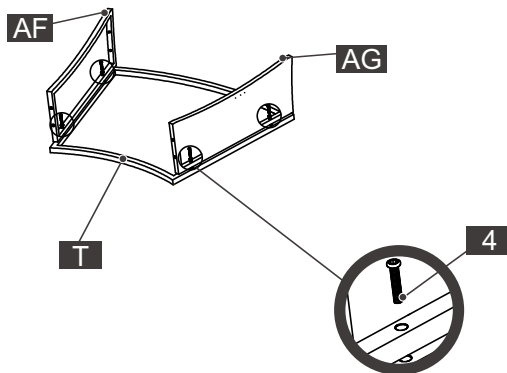
13



2 PCS

PRODUCT ASSEMBLY Armless Curved Sofa Assembly

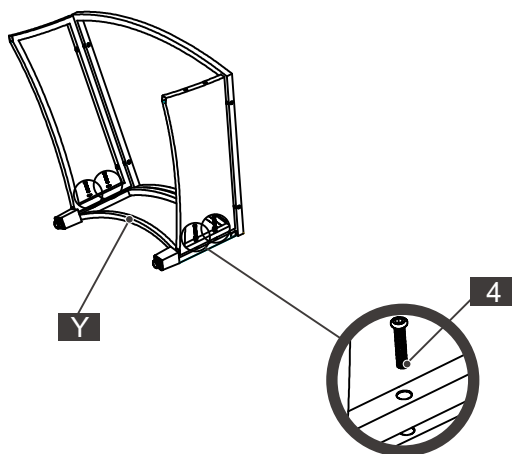
1



DO not use machine

PART	NO.	QTY.	PART	NO.	QTY.
	AG	1		T	1
	AF	1		4	4

2



PART	NO.	QTY.
	Y	1
	4	4

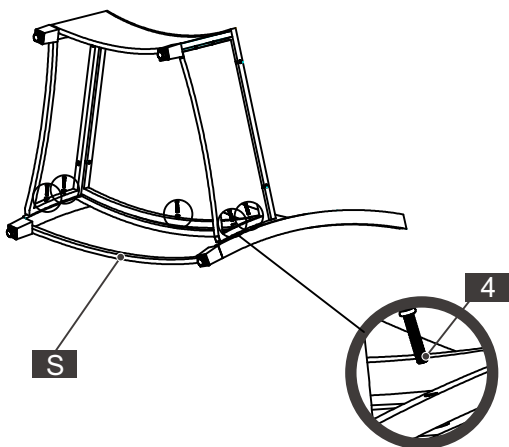
PRODUCT ASSEMBLY

Armless Curved Sofa Assembly

3

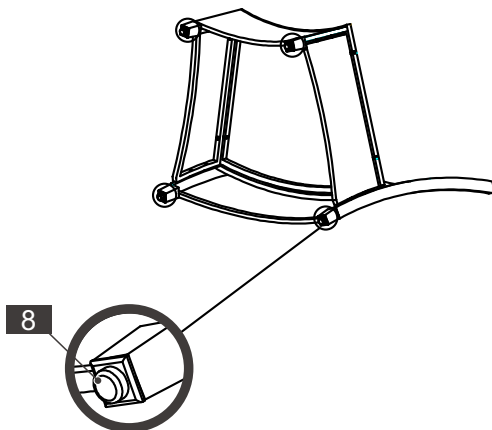


DO not use machine



PART	NO.	QTY.
	S	1
	4	5

4



PART	NO.	QTY.
	8	4

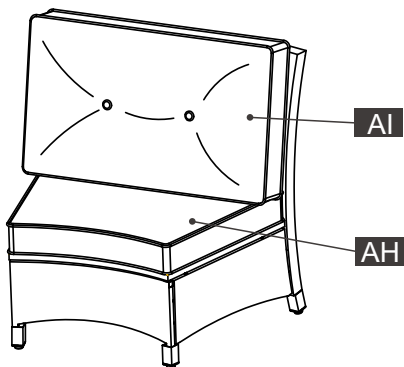
PRODUCT ASSEMBLY



Armless Curved Sofa Assembly

5



DO not use machine



PART	NO.	QTY.
	AH	1
	AI	1

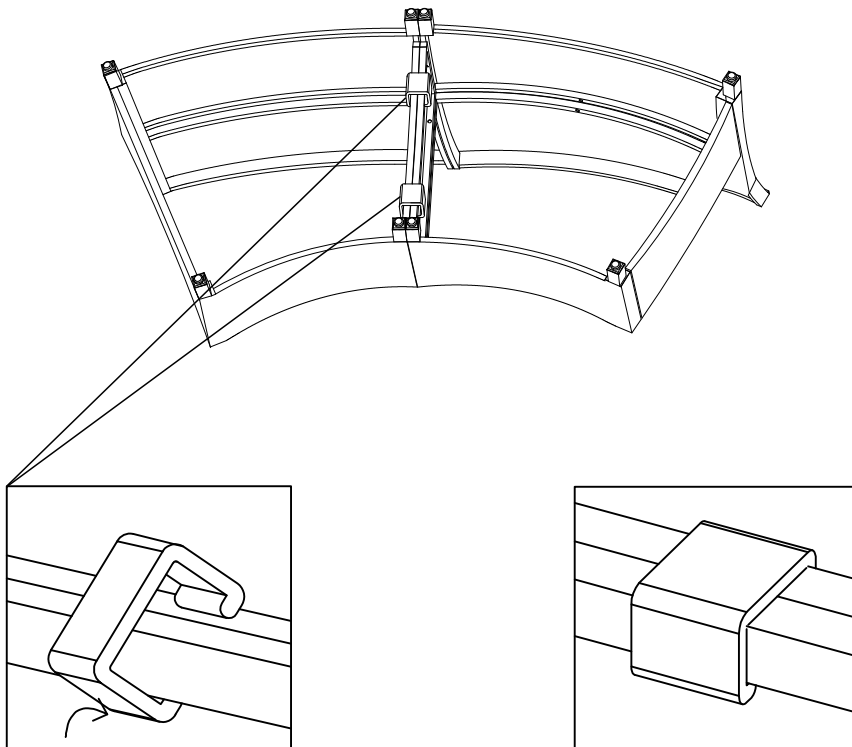
PRODUCT ASSEMBLY

Armless Curved Sofa Assembly

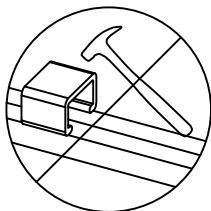
6




DO not use machine



U-Shaped Connector x 2



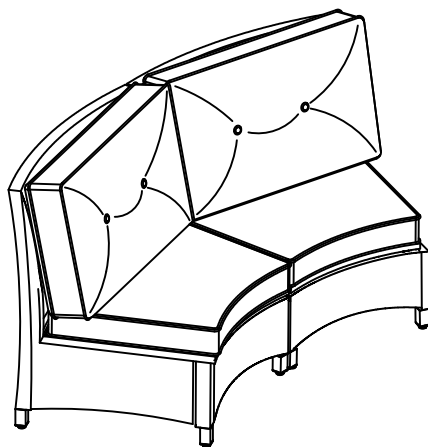
Notice:
Do not use tools such as hammers;
You can scald it with hot water to soften it.

PART	NO.	QTY.
	13	2

7

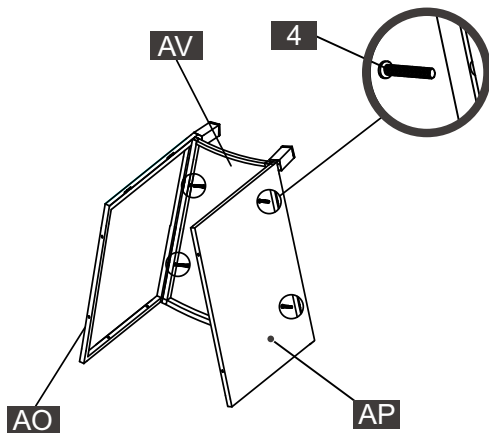


DO not use machine







I PRODUCT ASSEMBLY Side Table Assembly

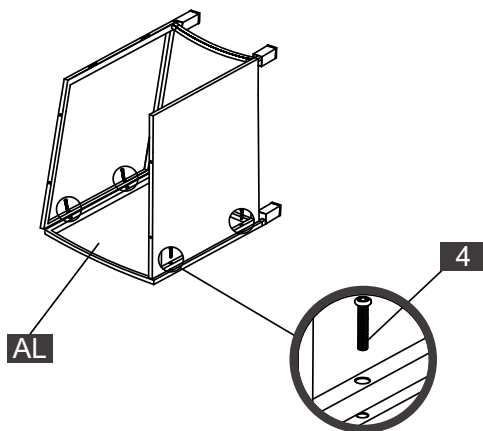
1





DO not use machine

PART	NO.	QTY.	PART	NO.	QTY.
	AV	1		AP	1
	AO	1		4	4

2

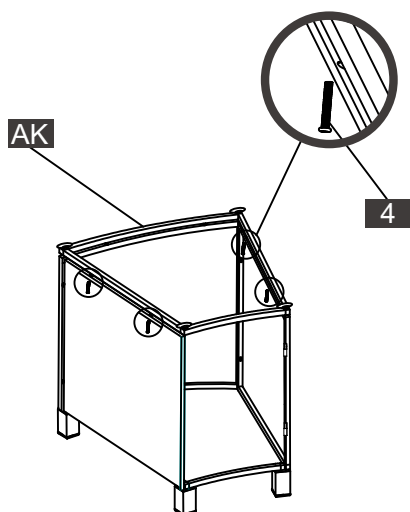


PART	NO.	QTY.
	AL	1
	4	4

PRODUCT ASSEMBLY

Side Table Assembly

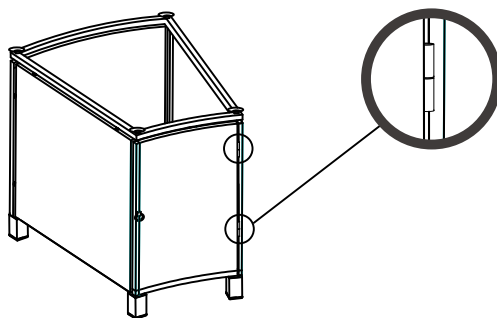
3



DO not use machine

PART	NO.	QTY.
	AK	1
	4	4

4

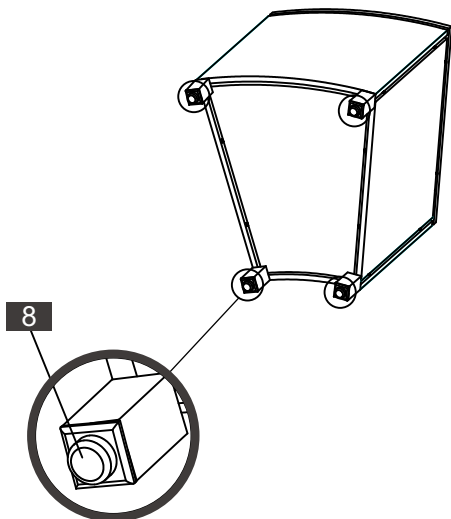


PART	NO.	QTY.
	BQ	1


PRODUCT ASSEMBLY

Side Table Assembly

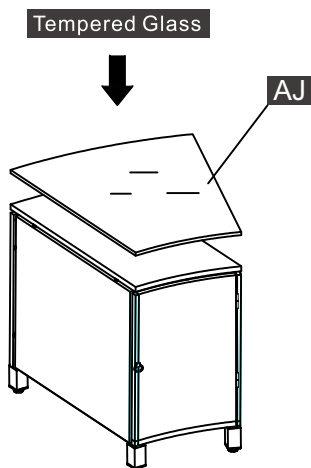
5



DO not use machine

PART	NO.	QTY.
	8	4

6



PART	NO.	QTY.
	AJ	1

PRODUCT ASSEMBLY

Side Table Assembly

7



DO not use machine

