

ASSEMBLY INSTRUCTION

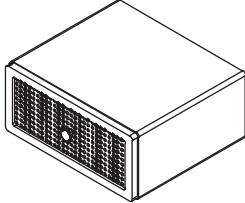
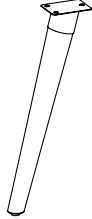
NIGHTSTAND






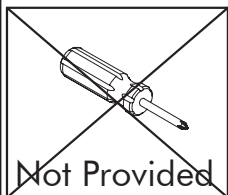
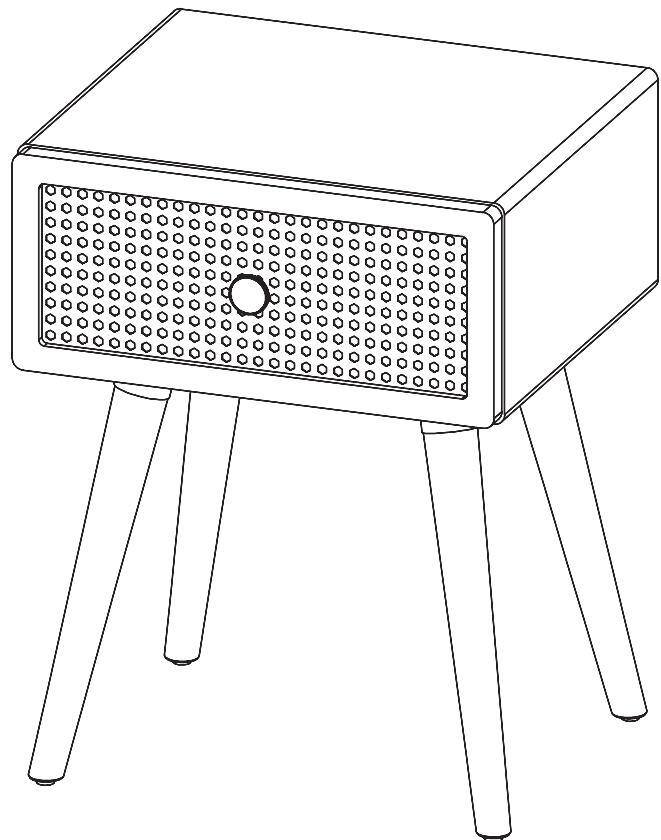
15 min



Thank you for purchasing this quality product. Be sure to check all packing material carefully for small parts which may have come loose inside the carton during shipment. Identify and count all parts and compare with the parts list below.

| | | | |
|---|------------|--|-------|
| 1 | NIGHTSTAND |  | 1 PC |
| 2 | LEG |  | 4 PCS |

| | | | |
|---|--------------|---|--------|
| A | M6 x 15 |  | 12 PCS |
| B | 2 x Ø6 x Ø19 |  | 12 PCS |
| C | ALLEN KEY |  | 1 PC |



Not Provided






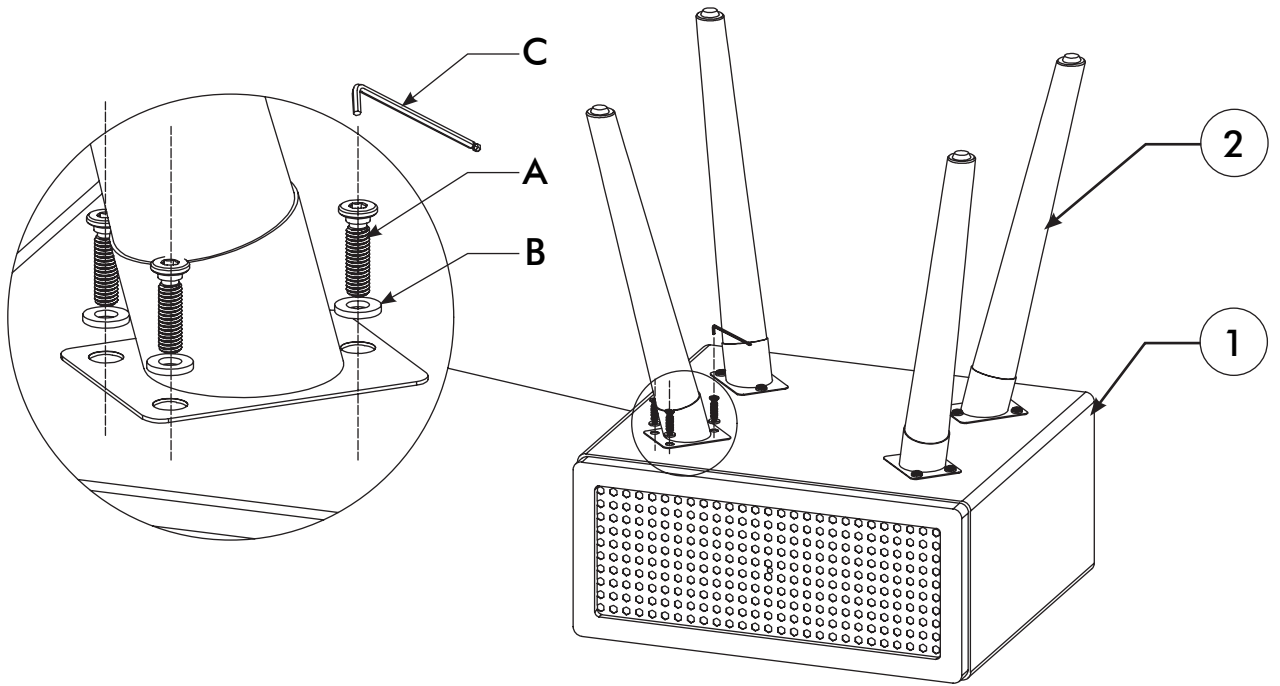
NOTICE: DO NOT use the power tools for assembly.
This can cause the bolts to be over tightened.
DO NOT over tighten hardware, damage may occur.

PAGE 1/3

STEP 1

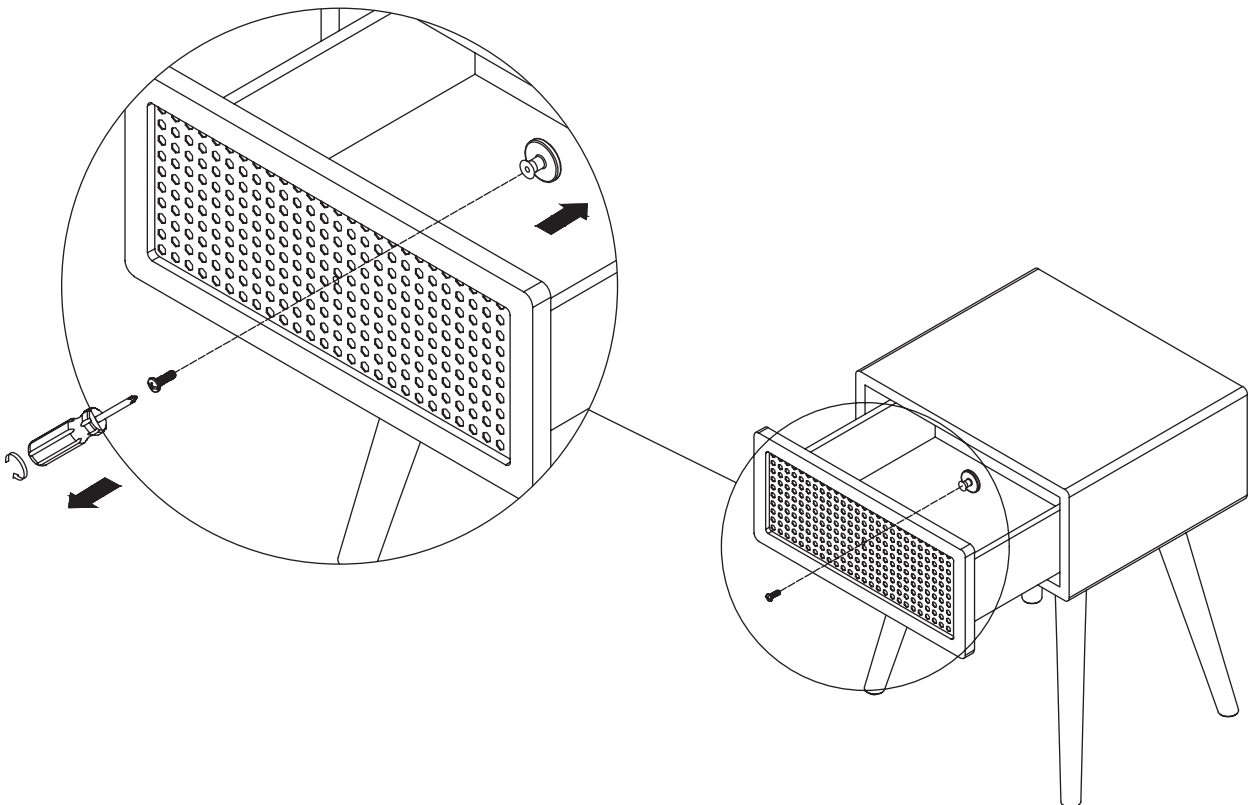
LAY THE PANEL FACE DOWN ON THE GROUND BEFORE ASSEMBLING.

| | | | |
|---|--------------|---|--------|
| A | M6 x 15 |  | 12 PCS |
| B | 2 x Ø6 x Ø19 |  | 12 PCS |
| C | ALLEN KEY |  | 1 PC |

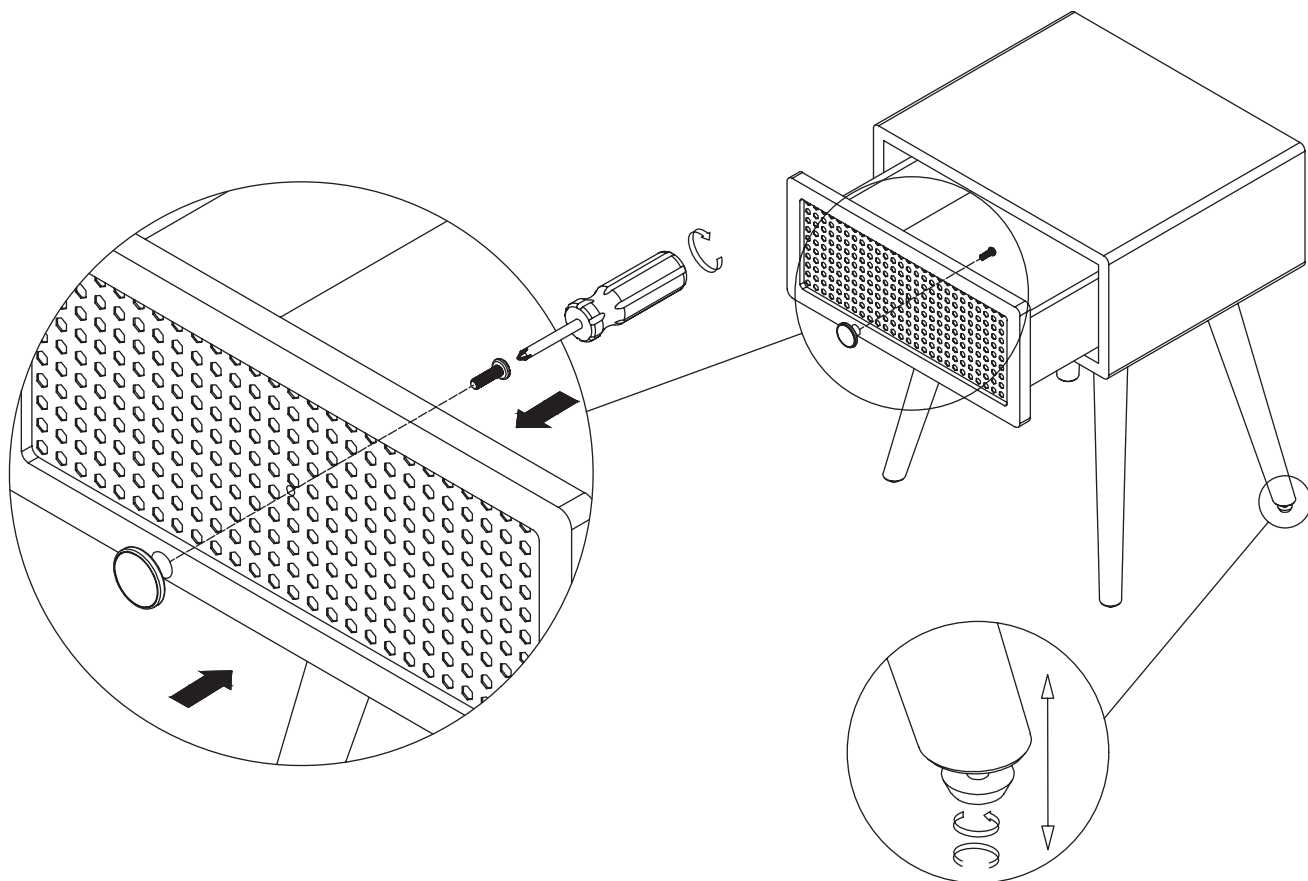


NOTICE: When assembling, place all parts on a soft, clean, and flat surface such as a carpet to prevent scratches
Make sure the leg is close with wooden frame before assembling.

STEP 2



STEP 3



**Leveler
Adjustment**

FINISH

