

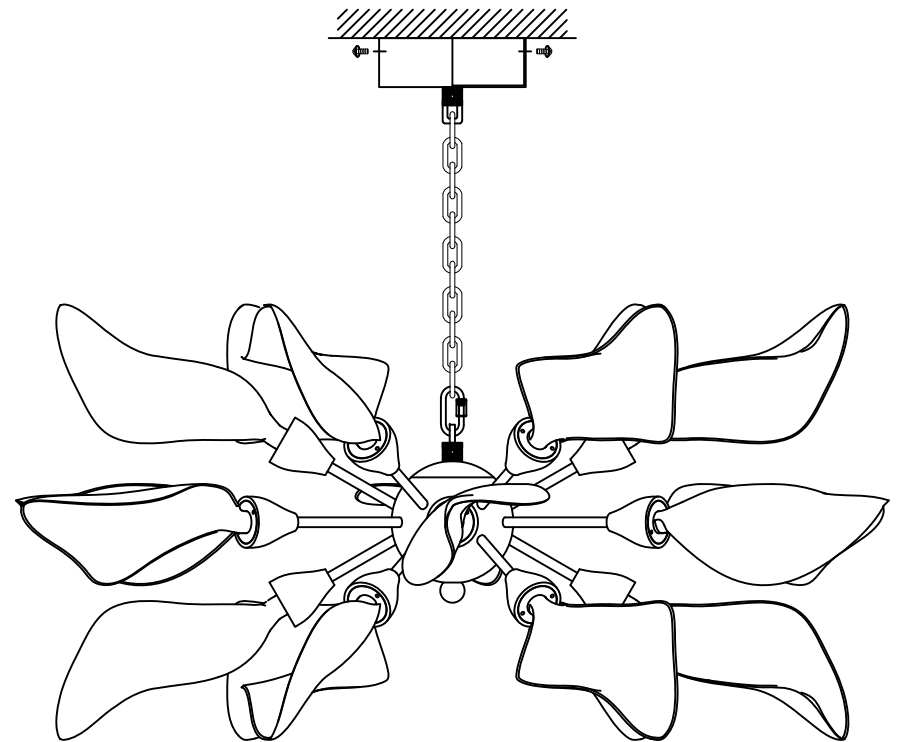
## Warranty

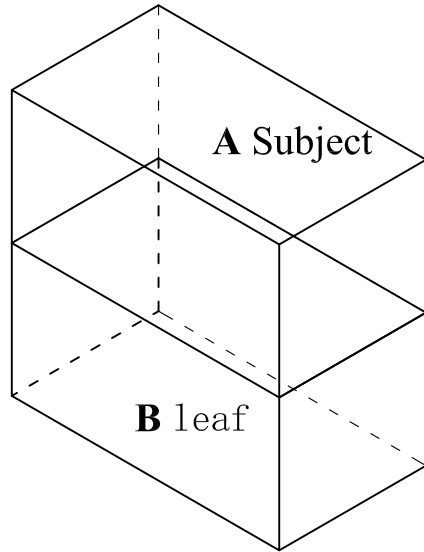
We offer a one-year warranty for the light fixtures. Our warranty ensures that any issues related to the performance or functionality of the light fixtures will be addressed and resolved promptly.

Our dedicated customer service team is available 24 hours a day to assist you. If you have any questions or concerns, we guarantee a response within 24 hours. During the warranty period, if you encounter any problems or need assistance, please don't hesitate to reach out to us via email. To ensure a swift and accurate resolution, kindly provide your order ID and detailed information regarding the issue.

**Important Note:** Please use this light fixture only for its intended purpose and avoid retrofitting or remodeling it. The warranty does not cover failures caused by third-party products or natural disasters.

## INSTALLATION INSTRUCTION





### **SAFETY INFORMATION**

It is important to thoroughly read and understand the entire manual, before assembling, operating, or installing the product,

### **WARNING**

- TURN OFF ELECTRICITY before installation, changing bulbs, or cleaning the light fixture.
- This fixture requires 18 pieces LED bulbs(not included in the product), the maximum wattage for each bulb is 3W, please do not exceed the recommended wattage.
- A QUALIFIED ELECTRICIAN IS RECOMMENDED FOR INSTALLATION.
- Do not use corrosive substances such as gasoline or alcohol disinfectants to wipe the lamps, otherwise it will damage the lamps.

### **PREPARATION**

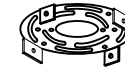
- Before installation, please make sure all the accessories are included (refer to the package content), if there is any part missing, please contact us at the order page, we will arrange the replacement in a timely manner
- 18pieces of LED bulbs(Max. 3W) are required(not included in the product)
- For any questions or inquires, please feel free to contact us at the order page, our customer service team will reply ASAP.

Please note:  
Please check the parts list, if the parts are missing during your actual installation, please contact us,  
we will help you in time!

# PACKAGE CONTENTS



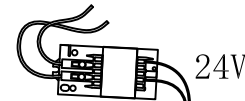
X2



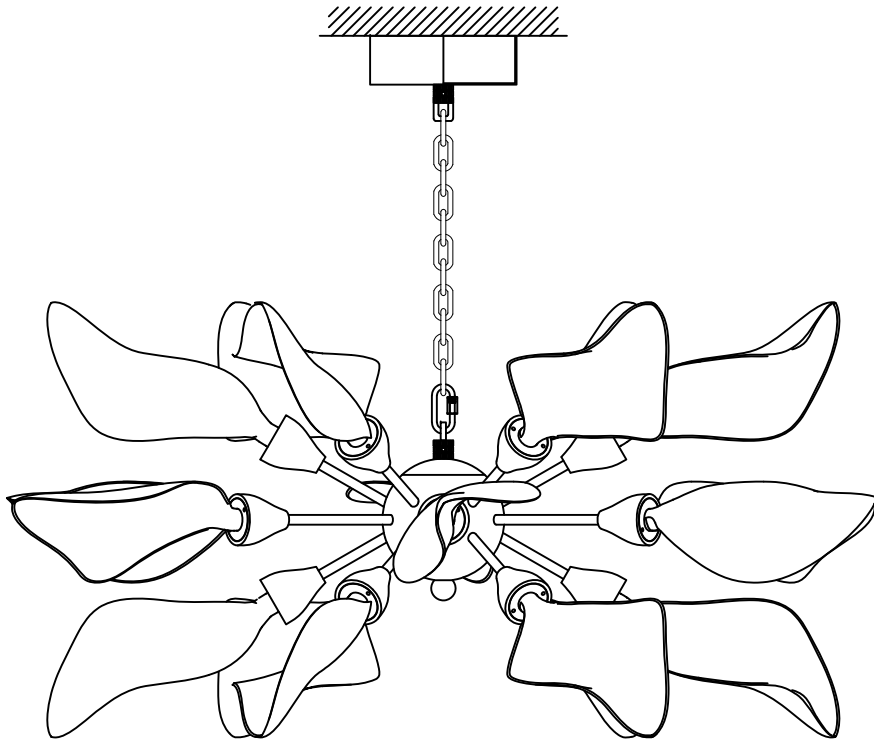
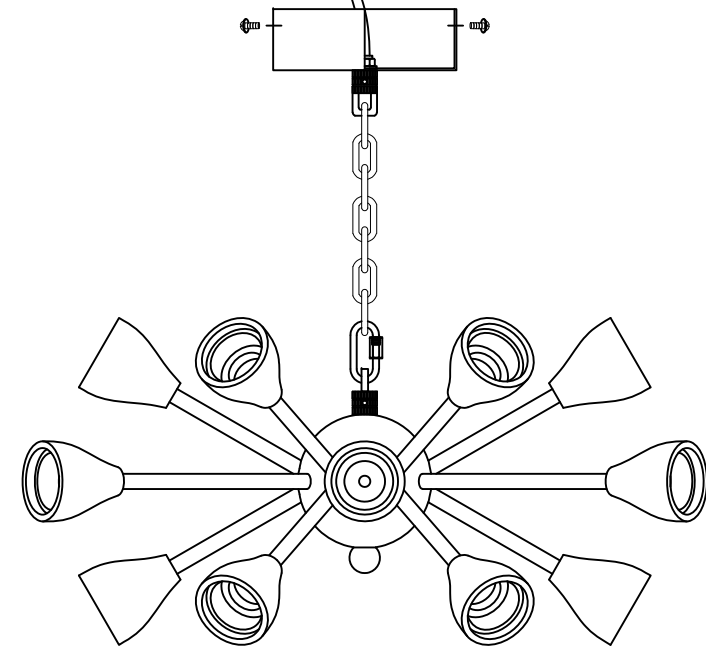
X1



X3

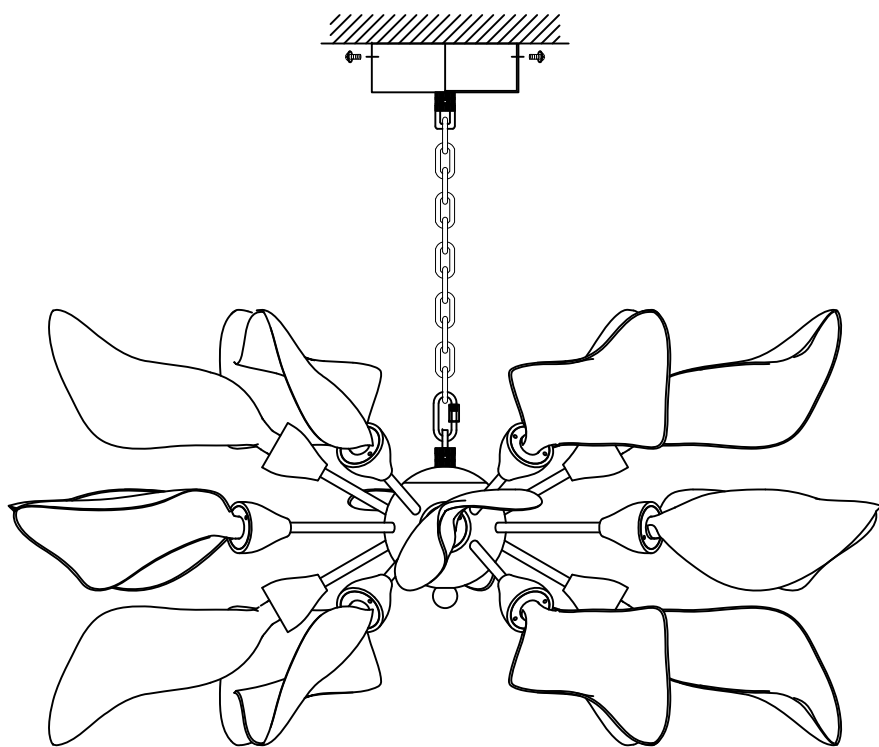


24V



Please note:

Please check the parts list, if the parts are missing during your actual installation, please contact us, we will help you in time!

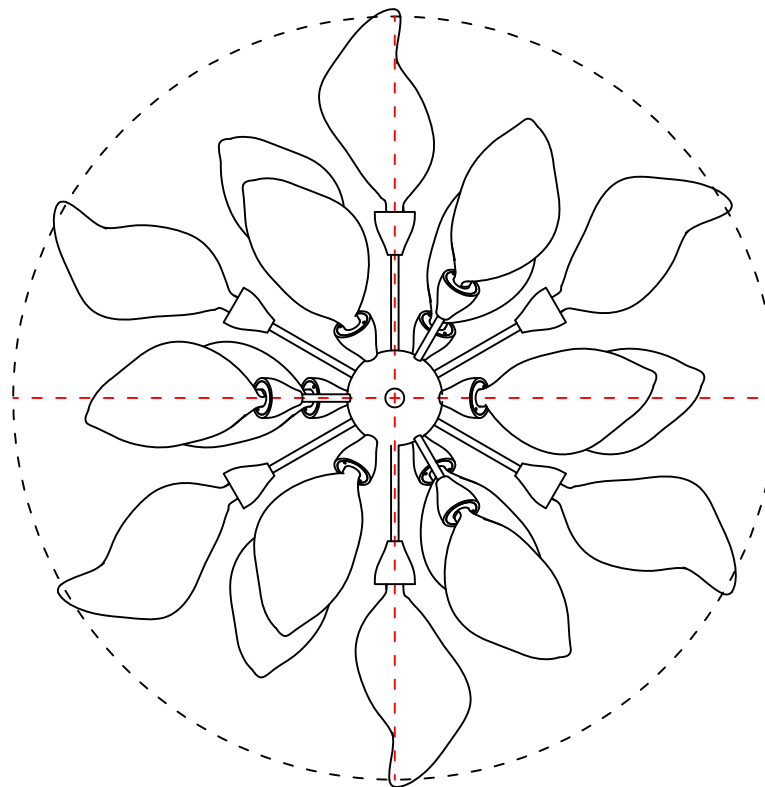


Steps:

1. Take out the lamp body and check the firmness of the lamp body;

Cautions:

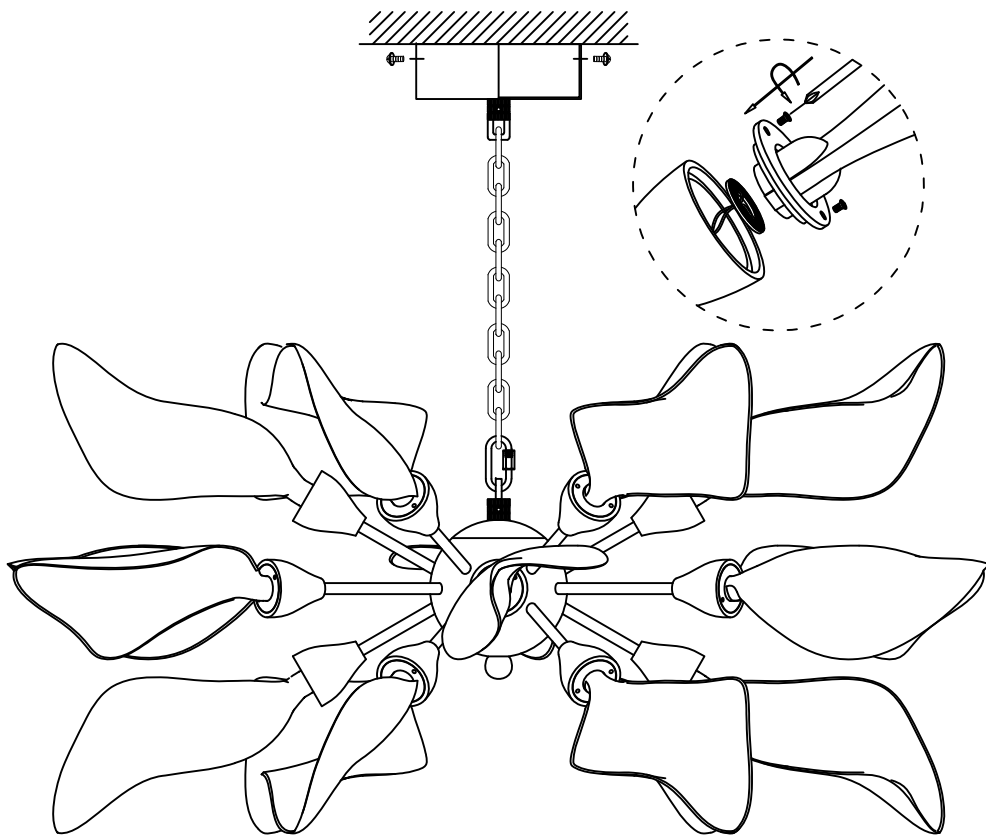
- 1. This lamp can only be used indoors;
- 2. TURN OFF THE POWER BEFORE THE INSTALLATION IS FINISHED.



Maintenance:

To ensure safe and efficient use of this product, please clean the lamp regularly (once a month). Before cleaning, turn off the power and wait for the lamp to cool to room temperature. Then use a soft cloth dipped in water and wrung dry to wipe it clean.

## Installation instruction

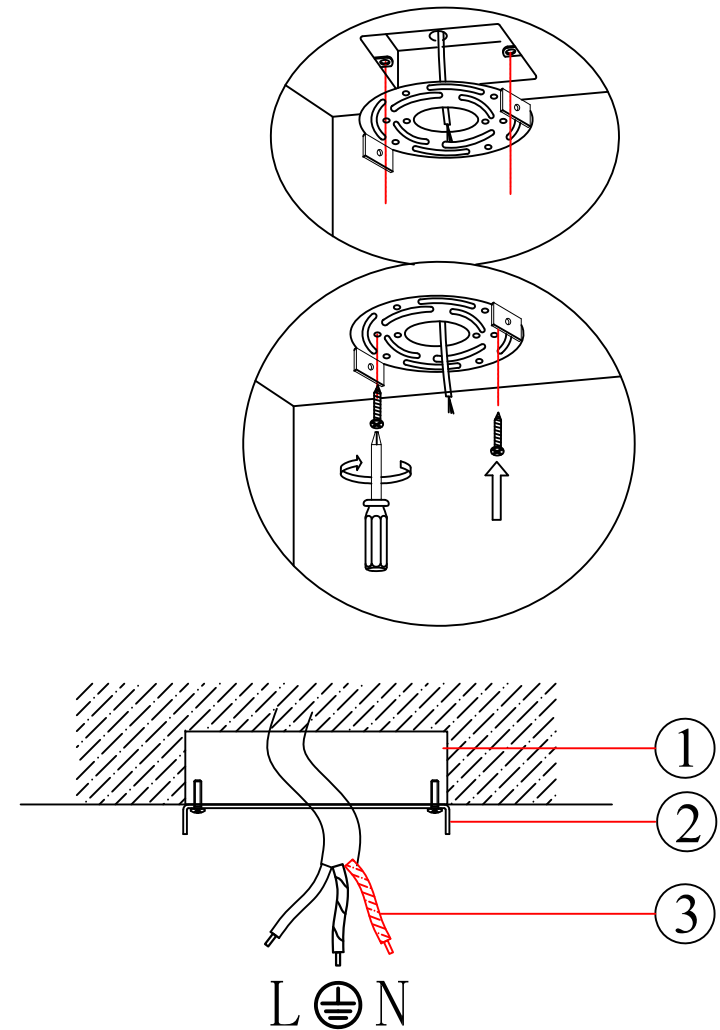


Fix the crystal string to the branch as shown.

1. 18 platinum crystal blades, with M3\*5 sinking machine screws.
2. Align the hole position of the lamp cup and tighten the screws.
3. The decorative bracket is die-casting, and the load-bearing capacity is limited.

The suspension accessories shall not be replaced without authorization, and no one shall bear the weight during installation, so as not to cause unnecessary safety accidents.

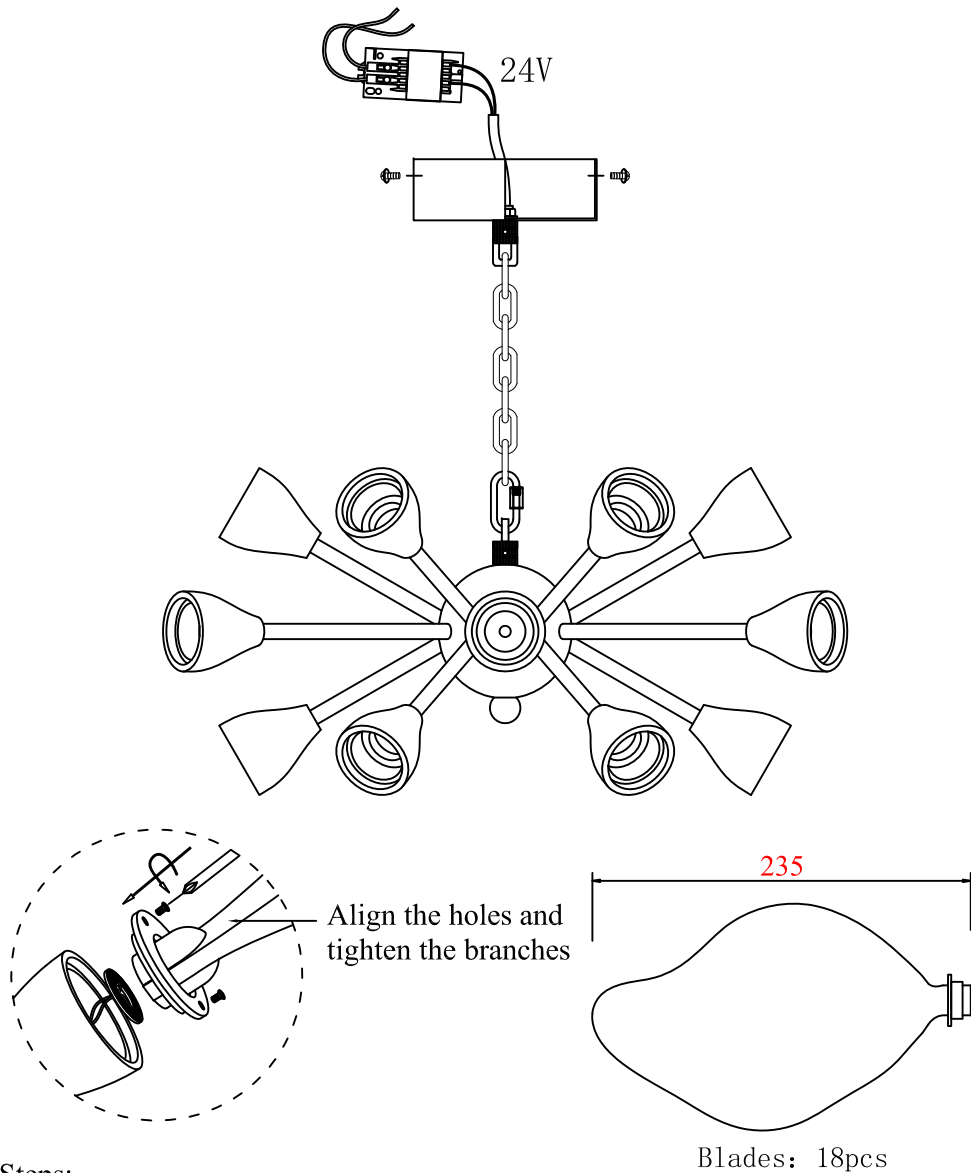
## Installation instruction



Steps:

1. Remove the crossbar from the preassembled mounting base.
2. Lock the crossbar on the junction box with the screw.

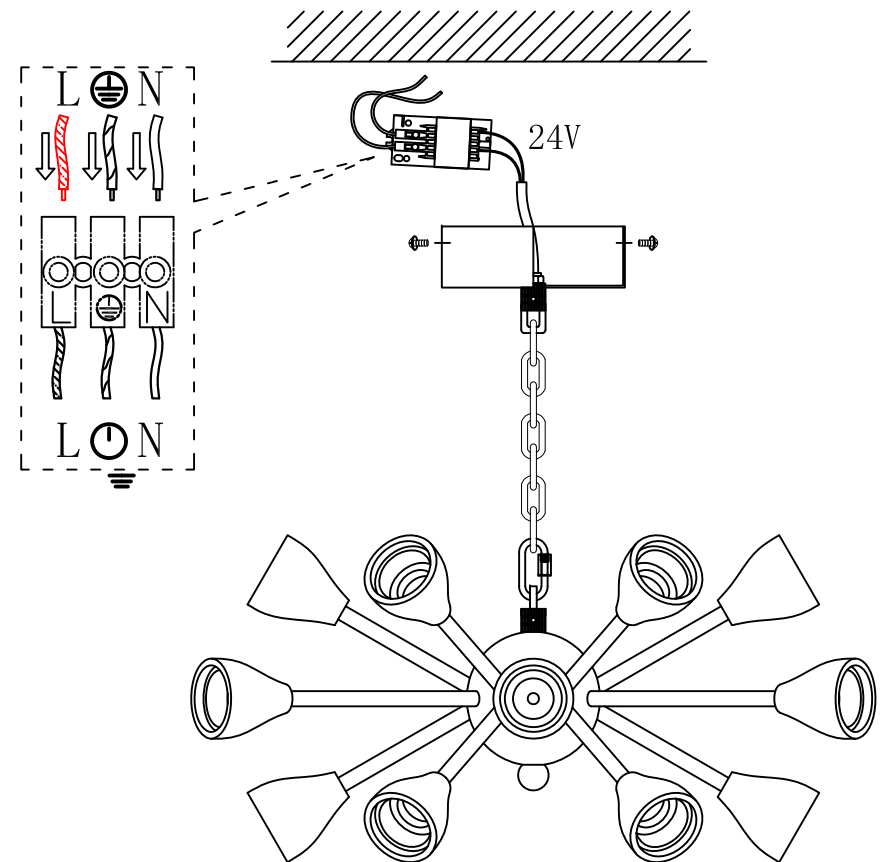
## Installation instruction



### Steps:

1. Take out the lamp body and check the firmness of the lamp body;
2. Remove the platinum crystal blades
3. Use a Phillips screwdriver to remove the lamp bodies arranged in order, and a set of platinum crystal blades is installed
4. Avoid screw loss; Fixed blades

## Installation instruction



- ① ② Install the lamp body on the crossbar with the matching screws.
- ③ Install the bulbs and test them.