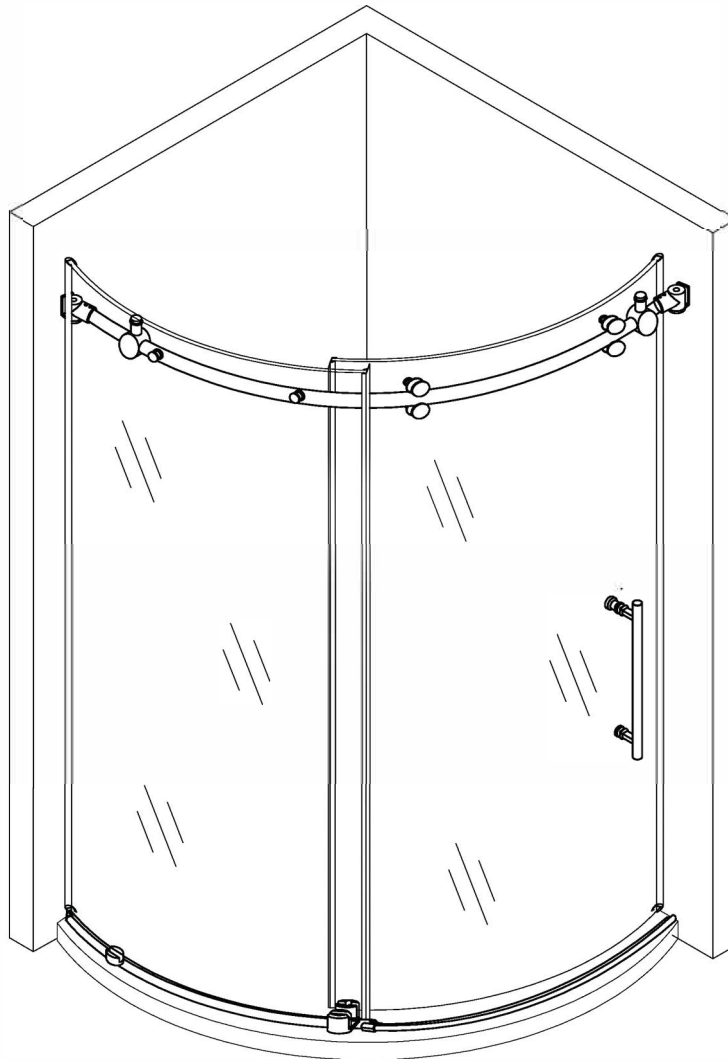


9228B Shower Door



**TWO PERSONS
REQUIRED**

Please read notices on following page

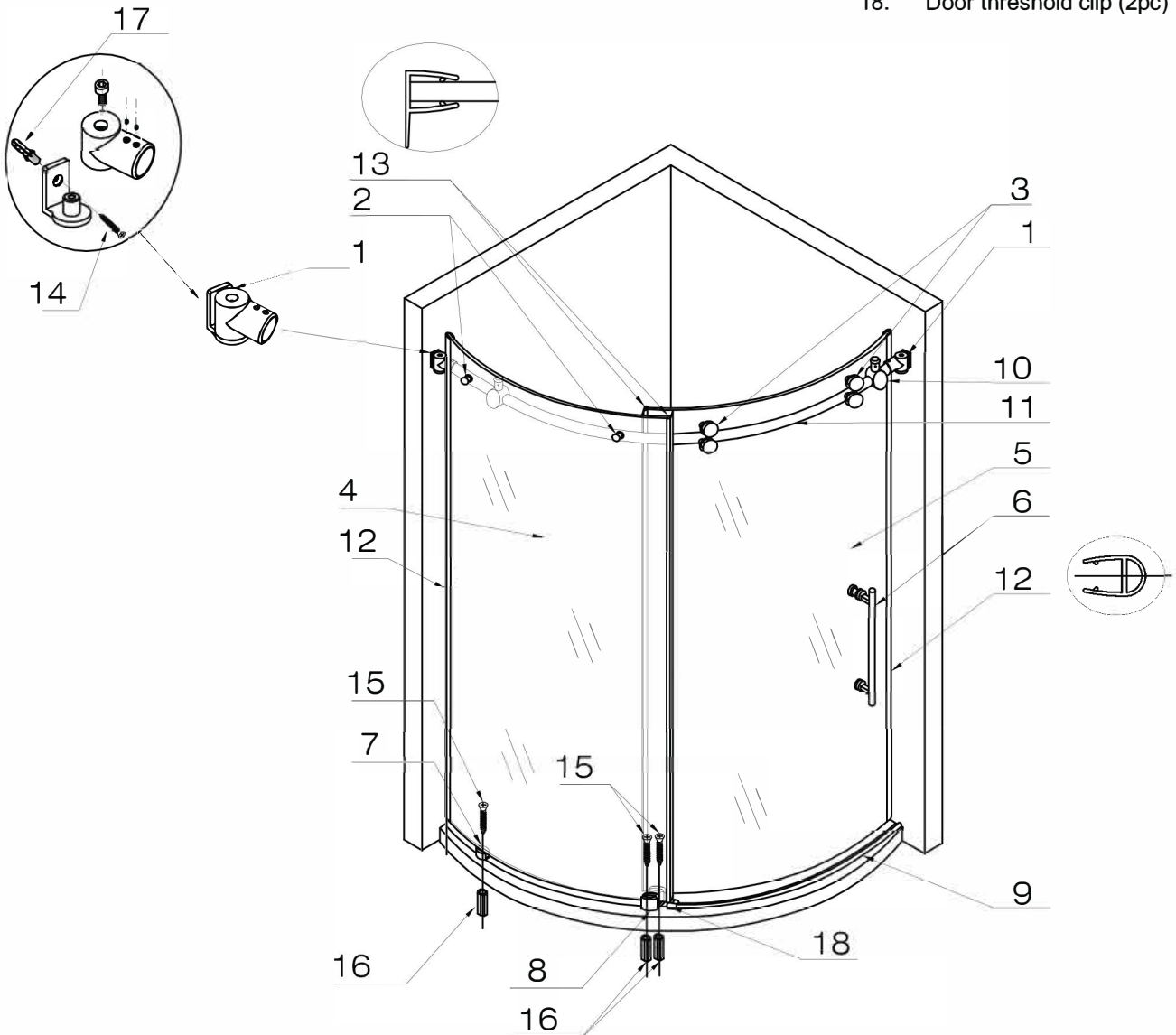


INSTALLATION INSTRUCTIONS FOR SHOWER ENCLOSURE OWNER'S MANUAL

PLEASE READ INSTRUCTIONS BEFORE PROCEEDING





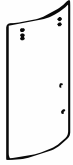






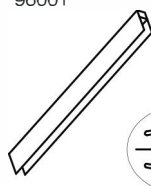
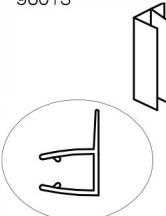


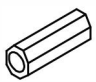


Packing List

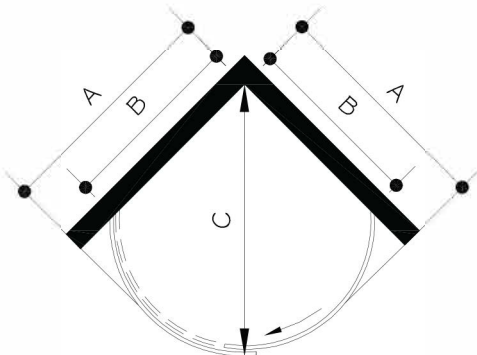
1. Wall mount brackets (2pc)
2. Fixed panel holders (2pc)
3. Rollers (4pc)
4. Fixed panel (1pc)
5. Door (1pc)
6. Handle assembly (1pc)
7. Fixed panel bottom clip (1 pc)
8. Bottom door guide (1 pc)
9. Door threshold (1pc)
10. Door stopper (2pc)
11. Structural rail (1pc)
12. Side seal strip (2pc)
13. Door seal strip (2pc + 1 extra)
14. Phillips screw 2" (2pc)
15. Phillips screw 1 1/8" (3pc)
16. Plastic anchor green (3pc)
17. Plastic anchor white (2pc)
18. Door threshold clip (2pc)



GLASS THICKNESS 5/16"

NOTE: INSTALLATION MUST BE DONE BY A QUALIFIED, LICENSED PROFESSIONAL

<p>1. WALL MOUNT BRACKET ASSEMBLY 98018</p> 	<p>2. FIXED PANEL HOLDER 98026</p> 	<p>3. ROLLERS 98020</p> 	<p>4. FIXED PANEL 97017-36</p> 	<p>5. DOOR 97018</p> 
<p>6. HANDLE ASSEMBLY 98021</p> 	<p>7. FIXED PANEL BOTTOM CLIP 98028</p> 	<p>8. BOTTOM DOOR GUIDE 98029</p> 	<p>9. DOOR THRESHOLD 95007-36 95007-40</p> 	<p>10. DOOR STOPPER 98024</p> 
<p>11. STRUCTURAL RAIL 98030-36 98030-40</p> 	<p>12. SIDE SEAL STRIP 96001</p> 	<p>13. DOOR SEAL STRIP 96013</p> 	<p>14. PHILLIPS SCREW 2" 98036</p> 	<p>15. PHILLIPS SCREW 1 1/8" 98035</p> 
<p>16. PLASTIC ANCHORS 98037</p> 	<p>17. PLASTIC ANCHORS 98038</p> 	<p>18. DOOR THRESHOLD CLIP (LEFT & RIGHT) 94005R 94005L</p> 		



LIST DIMENSIONS	DIM. "A"	DIM. "B"	DIM. "C"	HEIGHT	DOOR PANEL	FIXED PANEL
36X36	38"	33 1/2"	43 3/4"	74 5/8"	34" x 74 3/8"	34" x 74 5/8"
40X40	40 5/8"	36"	46 3/4"	74 5/8"	36 3/8" x 74 3/8"	36 1/4" x 74 5/8"

DEPICTION ABOVE IS ONLY TO BE USED AS A GUIDE. IN NO WAY SHOULD YOU ATTEMPT TO BUILD A BASE OR CUB OFF THIS DIAGRAM.



⚠ WARNING

WE STRONGLY RECOMMEND THAT A LICENSED PROFESSIONAL INSTALL THIS SHOWER CABIN AND INCLUDE THE ASSISTANCE OF A SECOND PERSON TO INSTALL THE DOOR UNIT. INSTALLATION OF THE SHOWER DOORS BY AN INEXPERIENCED PERSON MAY RESULT IN GLASS BREAKAGE AND, CONSEQUENTLY, CAUSE PERSONAL INJURY OR DEATH.

REQUIRED TOOLS

- Square and/or Phillips #1 and #2 screwdriver
- Flat head screwdriver
- Electric drill plus 1/8", 3/16", or 7/32" drill bit (depending on wall)
- Level
- Measuring tape
- Pencil (non-permanent; HB)
- Clear silicone caulking
- Utility knife

⚠ WARNING

- Handle fragile items with care to prevent injury or material damage.
- Glass on panels and doors is tempered glass and must never be cut to prevent personal injury.

⊘ IMPORTANT

- Fiberglass or acrylic construction might not be sufficiently strong enough to support the shower door enclosure. You should use the wood framing from behind the face edge of the stall to provide a secure mounting to the door. Apply a bead of silicone between the walls and base of the stall.
- For optimum performance, you should install the shower door perfectly level on a level surface.

IMPORTANT:

THE TEXTURED SIDE OF THE MATTE GLASS UNIT SHOULD ALWAYS BE INSTALLED ON THE OUTSIDE OF THE UNIT. (SEE CONFIGURATION DIAGRAM BELOW)

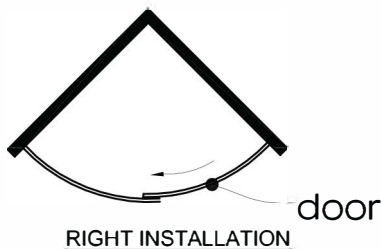
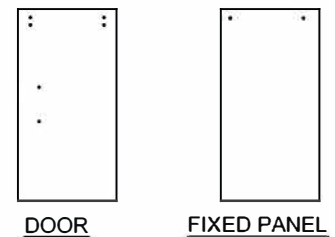
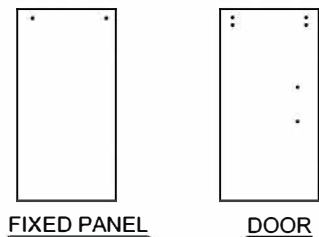
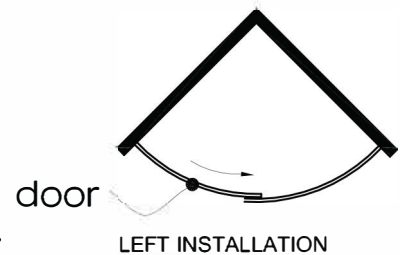


FIG. 1A (GLASS CONFIGURATION DIAGRAM)





STEP 1: PRE- INSTALLATION

1. Due to individual site variations, exact guidelines for every situation cannot be supplied. The recommended framing and dimensional requirements shown are for a typical application and may vary depending on the site requirements.
2. Your shower enclosure should be installed in a leveled wall opening.
3. Ensure that there is sufficient structural support behind your shower wall to bare the weight of the door. If such is not the case, then prior to the installation of your shower wall you will need to reinforce the walls with wooden studs. see FIG. 1.
4. Make sure the overall size of the opening is appropriate for the shower enclosure. If necessary cut structural rail (on the door side) to match the length of the opening (see diagram on page 3).

STEP 2: FIXED PANEL INSTALLATION

1. Arrange the glass according to the configuration – see FIG. 1A, Page 4.
2. Slide door stoppers (10) to the structural rail (11) - see FIG. 2.
3. Place the seal strip (12) from the wall side of the fixed panel (4). See FIG.3.
4. Place structural rail (11) inside the wall mount bracket (1). Tighten two hex screws on the bracket. See FIG. 4, page 6. Repeat this step for another bracket.
5. Screw fixed panel (4) to the structural rail (11) with fixed panel holders (2), (FIG. 4, page 6).
7. Place fixed panel (4) with structural rail (11) in desired position. Use level to position it correctly, (FIG.5, page 6).
8. Holding fixed panel (4) in vertical position, place fixed panel bottom clip (7) and bottom door guide (8) under the fixed panel, (FIG.5, page 6).
9. Mark location of the wall mount bracket (1) on the wall.
10. Mark location of the fixed panel bottom clip (7) and bottom door guide (8) on the floor.
11. Remove front fixed panel (4) from the position in the opening.
12. Use the hex key to unscrew plate from wall mount bracket body (screw located on the top of the bracket).
13. Place wall mount bracket plate to the wall. Mark holes on the wall for mounting screw. Drill hole, place anchor (17) inside.
14. Place wall mount bracket plate (1) to the wall and screw plate with 2" screw (14).
15. Mark holes on the floor for fixed panel bottom clip (7) and bottom door guide (8) .
16. Remove fixed panel bottom clip (7) and bottom door guide (8) from the position on the floor, drill holes, place anchors (16) inside.
17. Screw fixed panel bottom clip (7) and bottom door guide (8) to the floor with 1 1/8" screw (15).
18. Place side glass panel and structural rail back to the shower opening.
19. Screw wall mount bracket body (1) to the wall mount bracket plate with the hex screw from the top of the bracket.
20. Tighten the hex screw of the wall mount bracket body (1) to the structural rail, see FIG. 4.

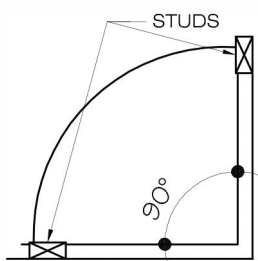


FIG.1

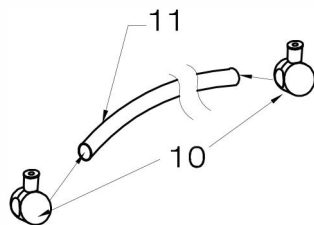


FIG. 2

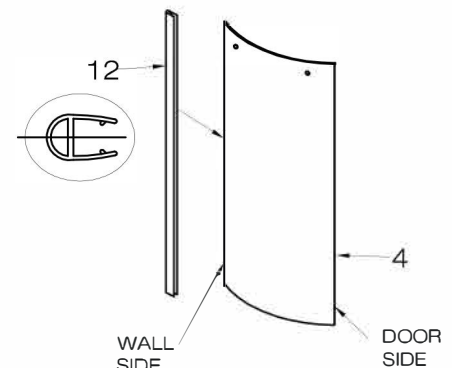


FIG. 3

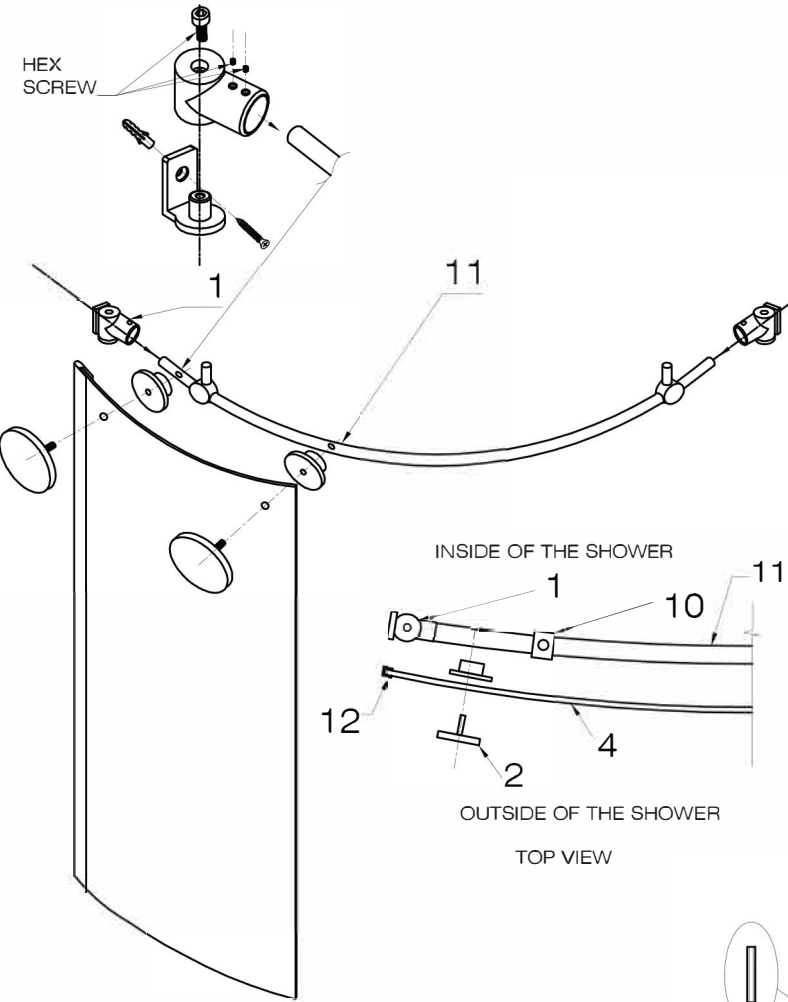


FIG. 4

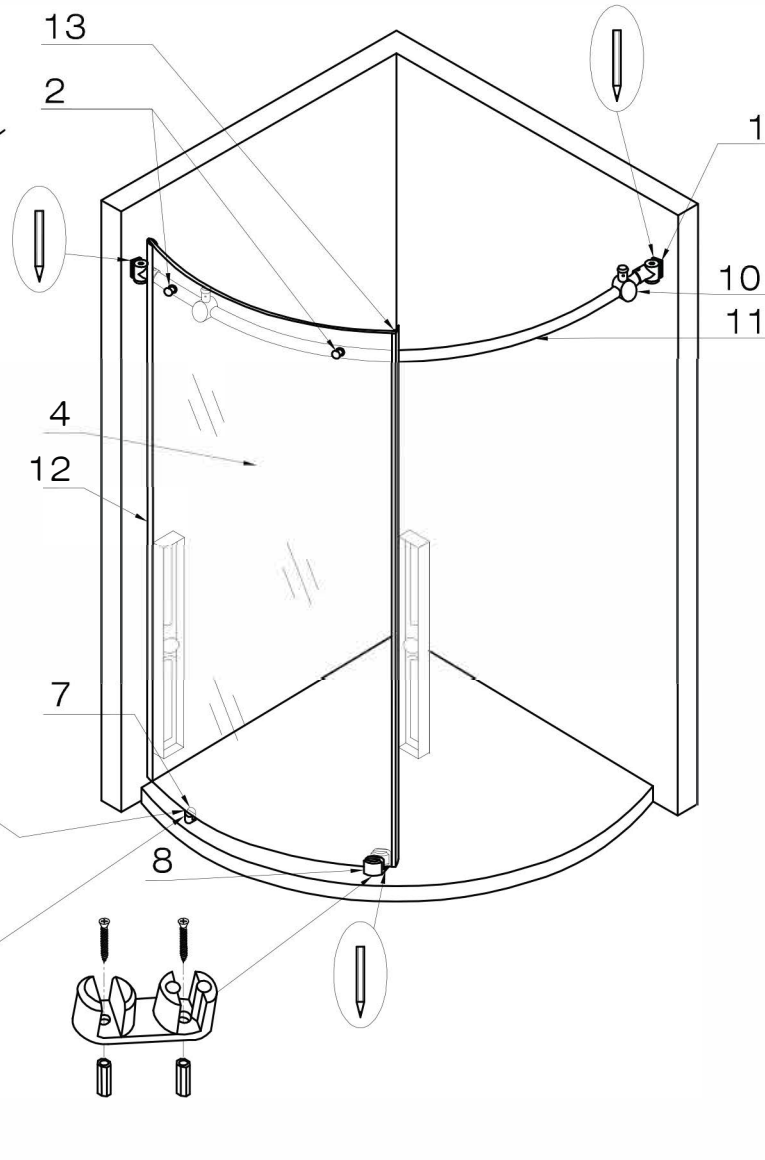
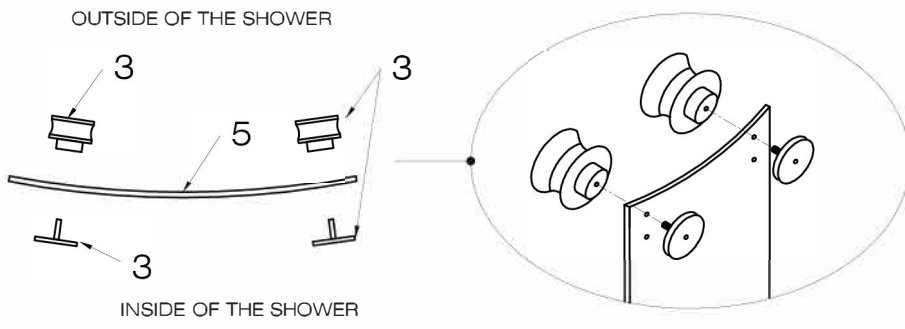


FIG. 5

STEP 3: DOOR INSTALLATION

1. Screw top rollers (3) to the door (5), see FIG. 6.
2. Place door (5) to the structural rail (11), see FIG. 7.
3. Screw bottom rollers (3) to the door (5), see FIG. 8.



TOP VIEW

FIG. 6

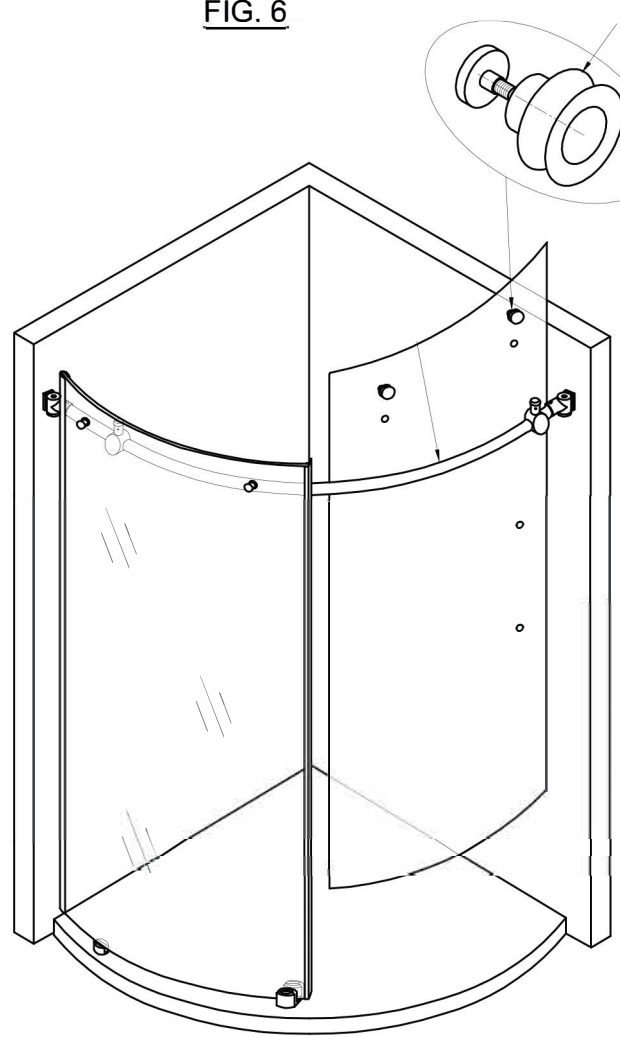


FIG. 7

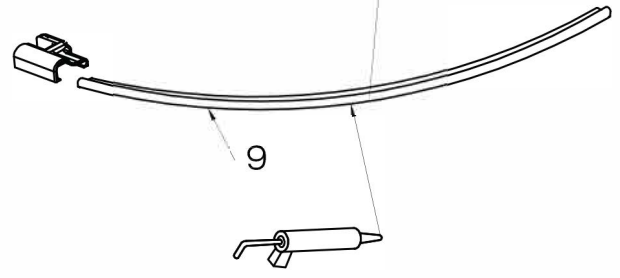
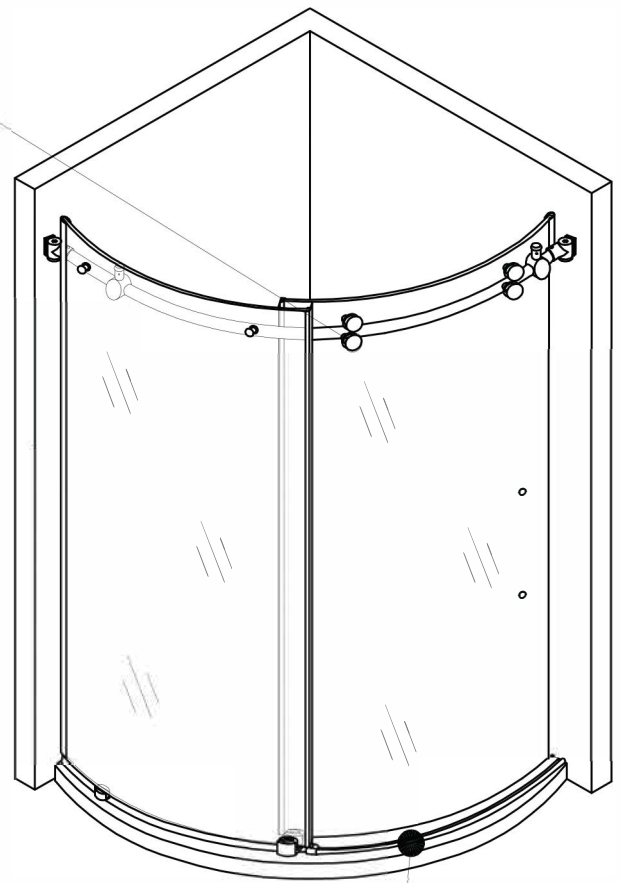


FIG. 8

STEP 4: THRESHOLD INSTALLATION

1. Seal bottom of end cup with clear silicone.
2. Seal bottom side of the threshold (9) with clear silicone.
3. Slide end cup to the fixed panel (4). Align threshold with the door and press down firmly.

STEP 5: HANDLE INSTALLATION

1. Unscrew handle holders from the handle (6).
2. Place handle to the position on the door with plastic washer on each side of the door (FIG. 9)
3. Tighten handle holders from inside of the shower.

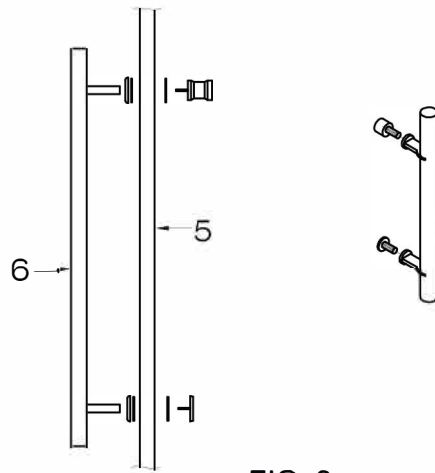


FIG. 9

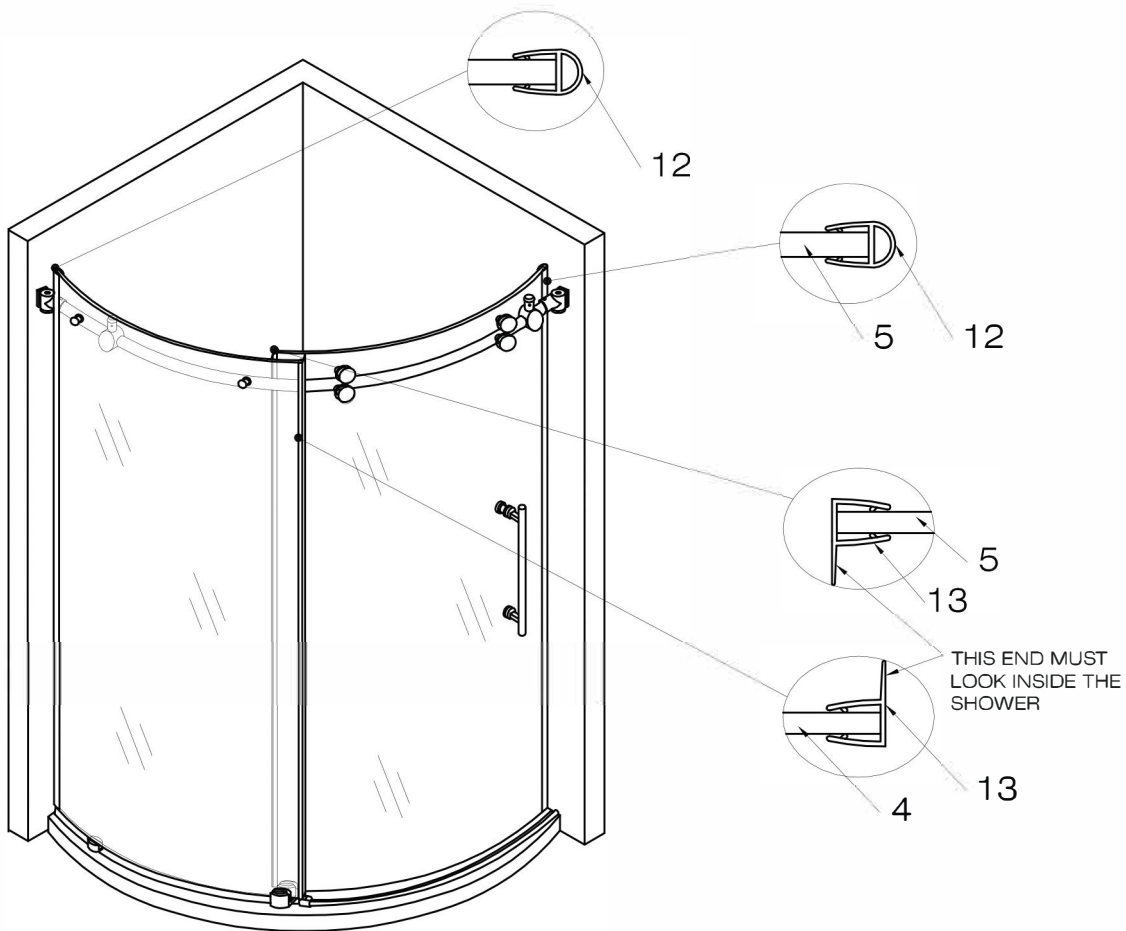


FIG. 10

STEP 6: SEAL STRIP INSTALLATION

1. Place seal strip to the door and to the glass, see FIG. 10, page 8.

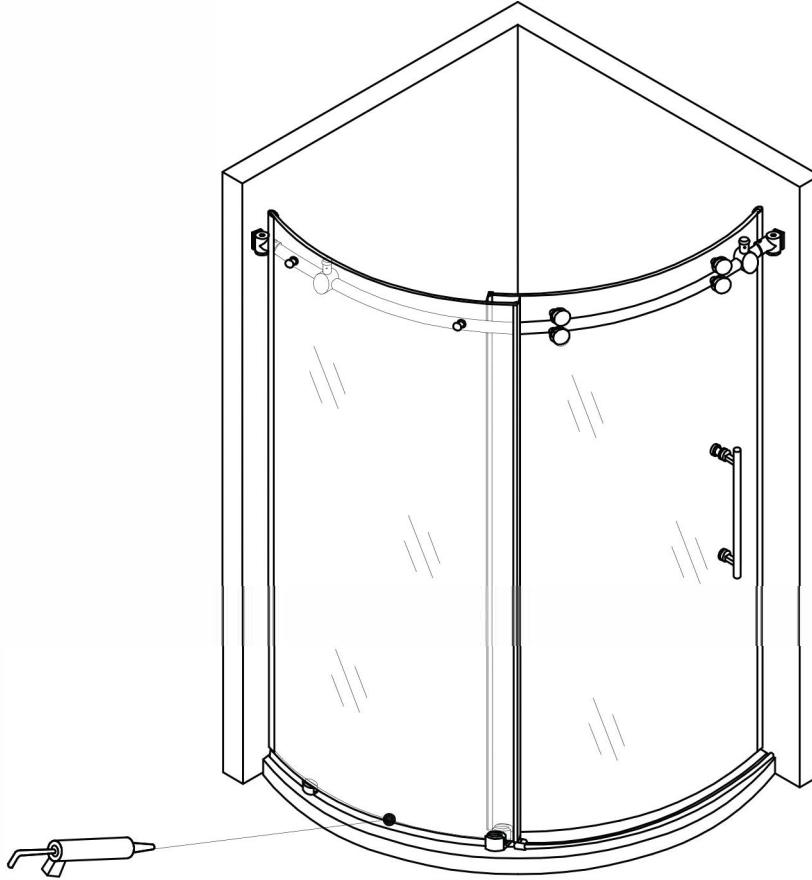


FIG.11

STEP 7: SILICONE.

1. Apply silicone all along the wall and floor on the interior of the shower enclosure. (FIG. 11)

**NOTE: DO NOT ALLOW DIRECT WATER ONTO
DOOR SEAL STRIP.**

WAIT 24 HOURS BEFORE USING THE SHOWER.