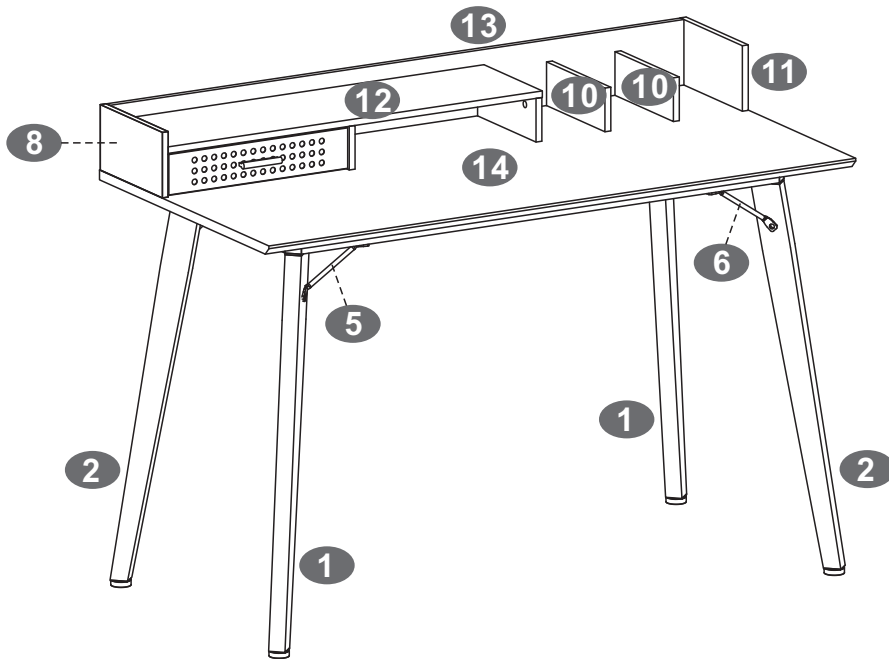


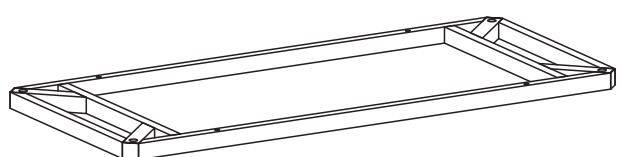
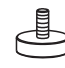

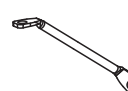
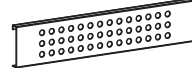
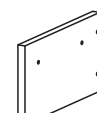
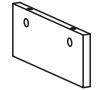
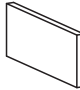
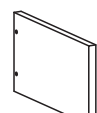

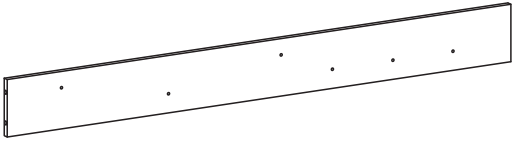
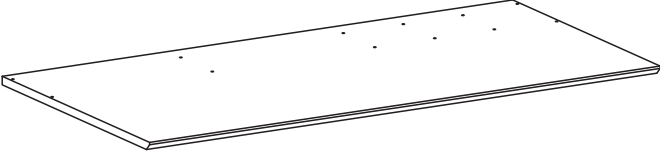
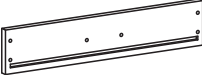

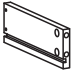






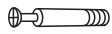

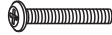
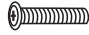
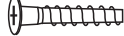
OPERATING INSTRUCTIONS





▪Part List

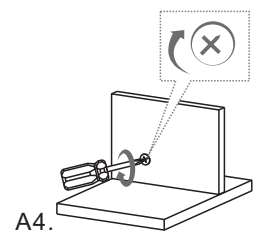
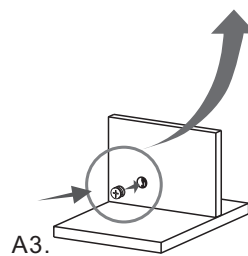
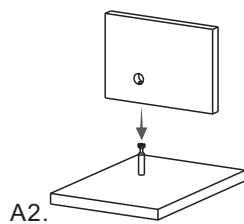
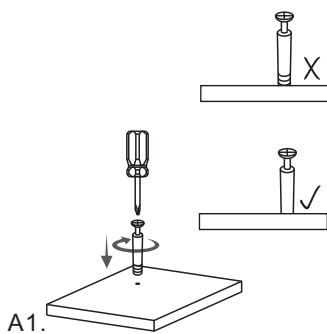
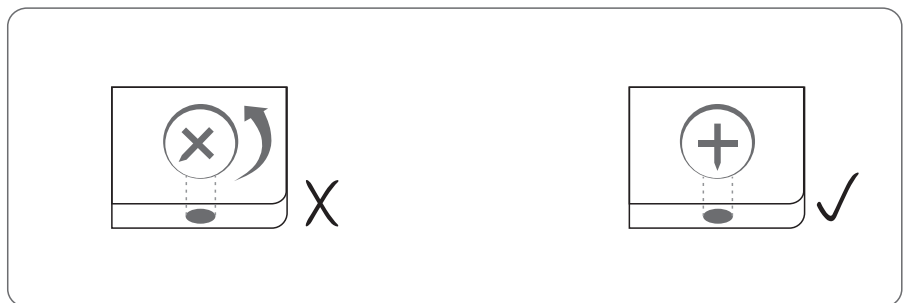
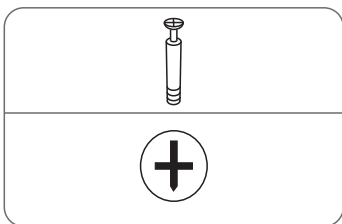


 <p>1</p> <p>X2</p>	 <p>2</p> <p>X2</p>	 <p>3</p> <p>X1</p>	
 <p>4</p> <p>X4</p>	 <p>5</p> <p>X2</p>	 <p>6</p> <p>X2</p>	 <p>7</p> <p>X1</p>
 <p>8</p> <p>X1</p>	 <p>9</p> <p>X2</p>	 <p>10</p> <p>X2</p>	 <p>11</p> <p>X1</p>

 <p>12</p> <p>X1</p>	 <p>13</p> <p>X1</p>		
 <p>14</p> <p>X1</p>	 <p>15</p> <p>X1</p>	 <p>16</p> <p>X1</p>	
 <p>17</p> <p>X1</p>	 <p>18</p> <p>X1</p>	 <p>19</p> <p>X1</p>	 <p>20</p> <p>X1</p>
 <p>21</p> <p>X6</p>			

PART	QTY.	ITEM	
A	14	6X25 MM	
B	12	6X15 MM	
C	8	6X40 MM	
D	2	4X20 MM	
E	18	5X40 MM	

PART	QTY.	ITEM	
F	4	4X35 MM	
G	14	Φ 12 MM	
	1	M 4	
	1		



■ Assembly Instructions

1

C 6X40 MM
 x4

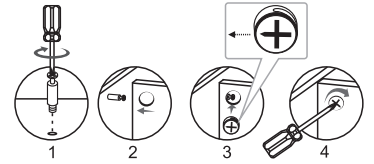
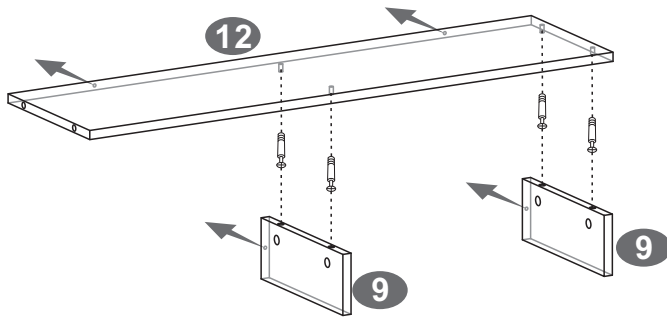
2

B 6X15 MM
 x4

3

B 6X15 MM
 x8

4



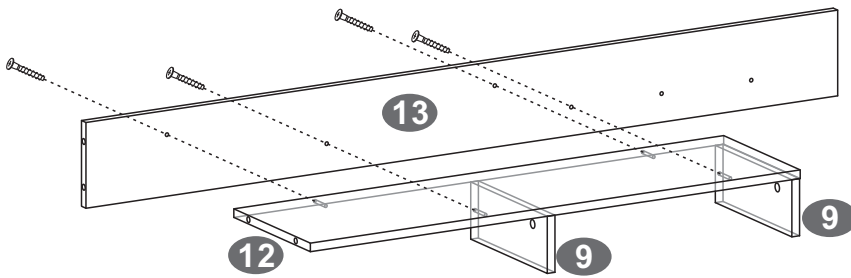
A 6X25 MM

x4

G Φ 12 MM

x4

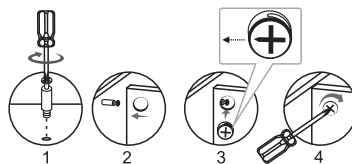
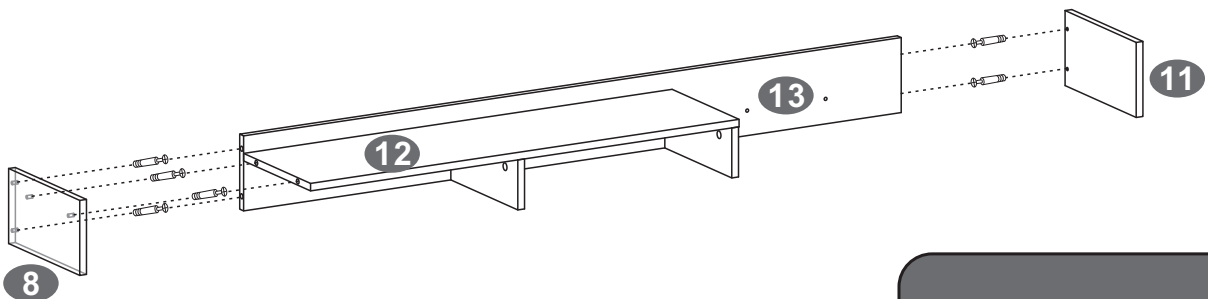
5



E 5X40 MM

x4

6



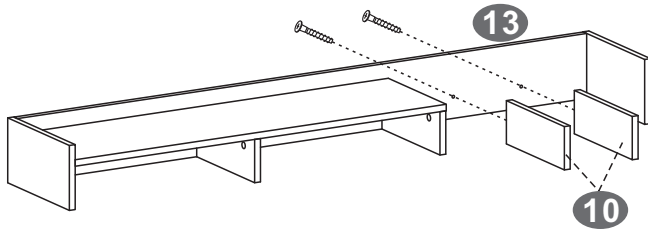
A 6X25 MM

x6



G Φ 12 MM

x6

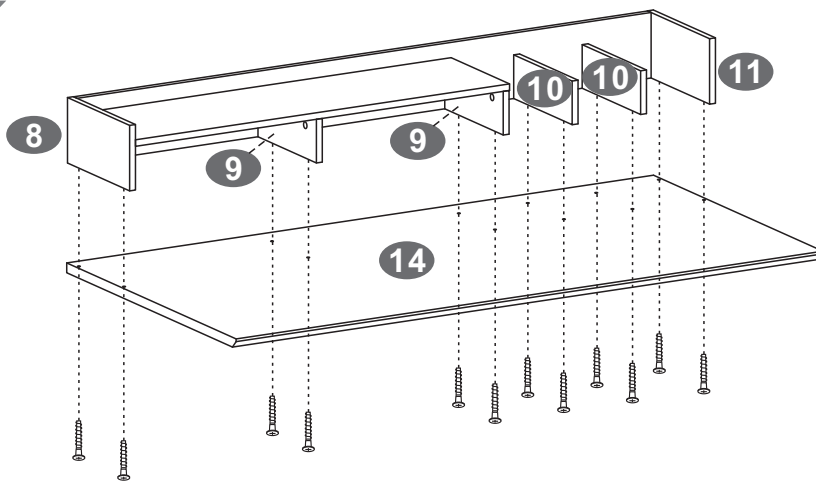
7





E 5X40 MM
x2



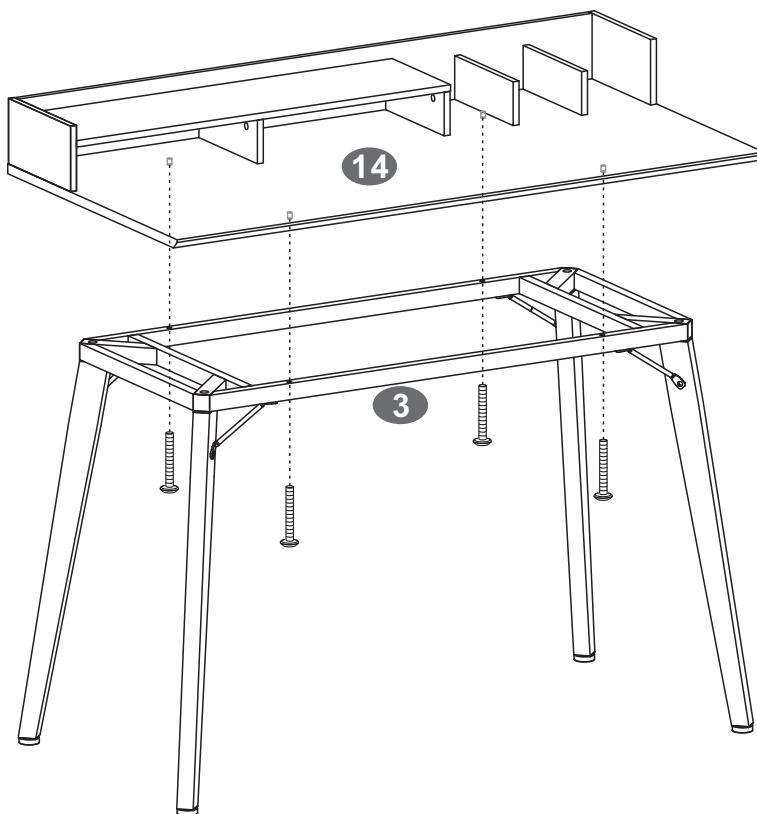
8





E 5X40 MM
x12



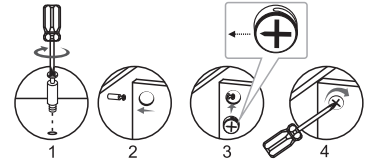
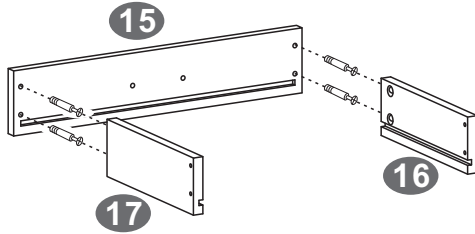
9

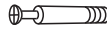





C 6X40 MM
x4

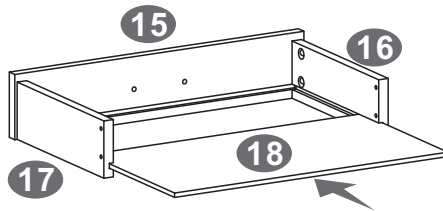


10

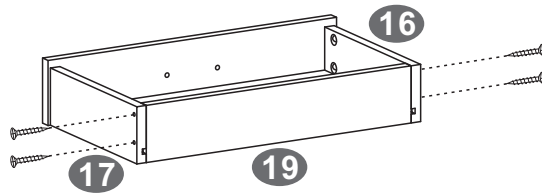




A 6X25 MM		x4	
G Φ 12 MM		x4	

11

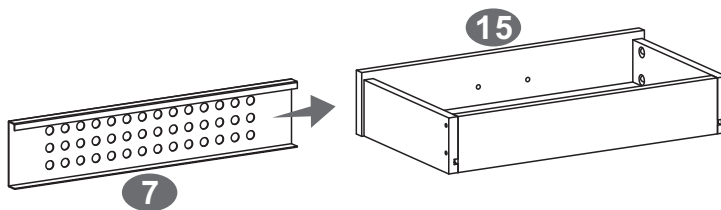


12

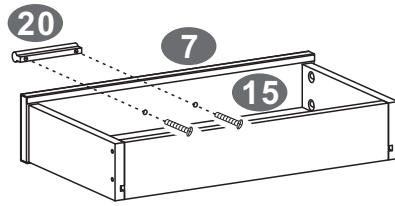


F 4X35 MM		x4	
------------------	---	----	---

13



14

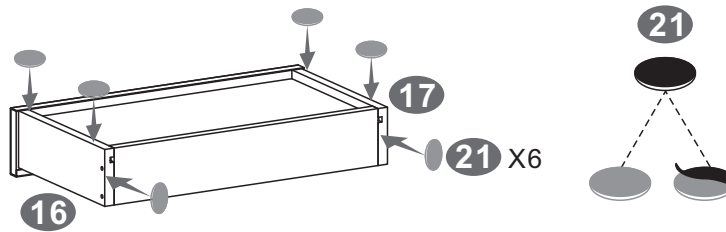


D 4X20 MM

 x2



15



16

