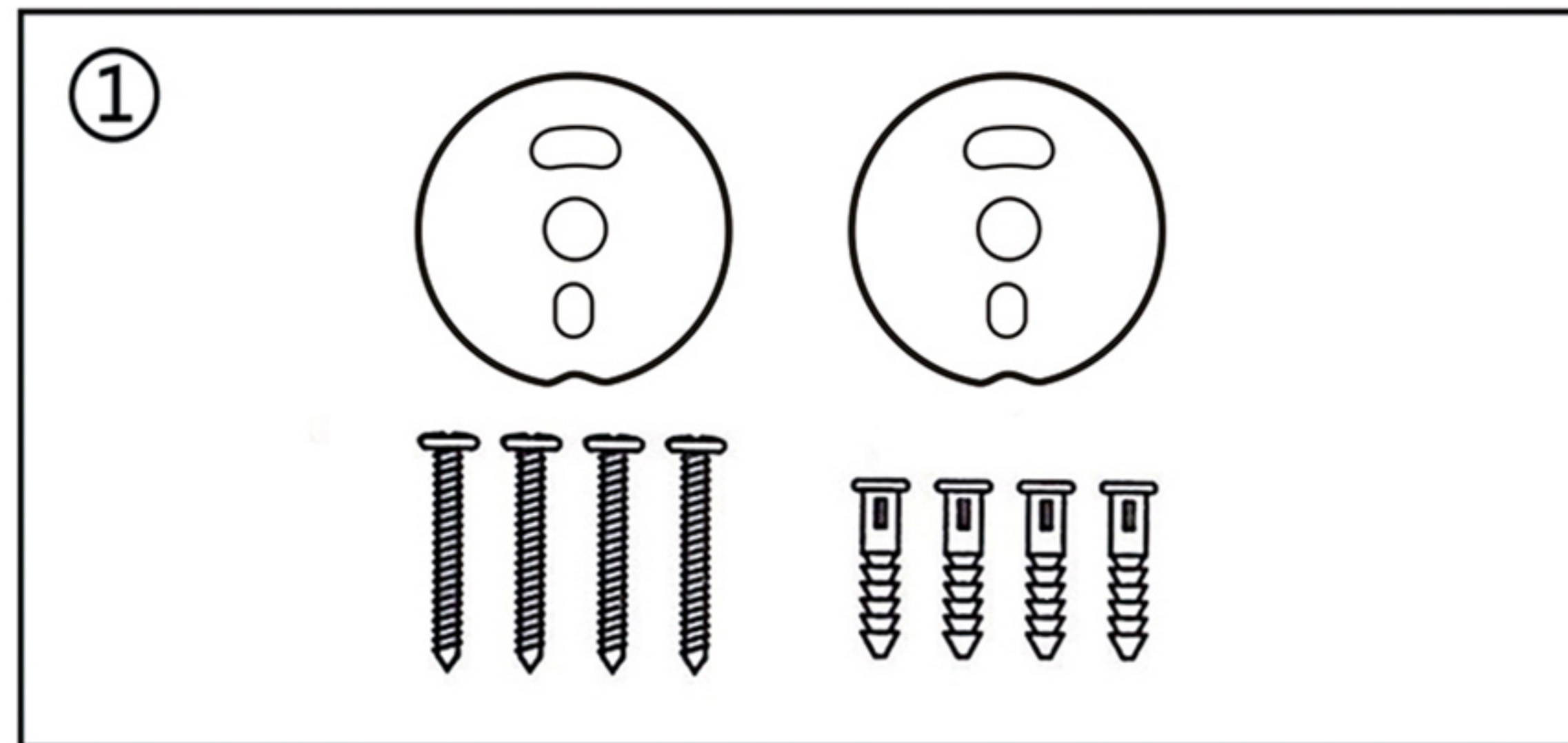
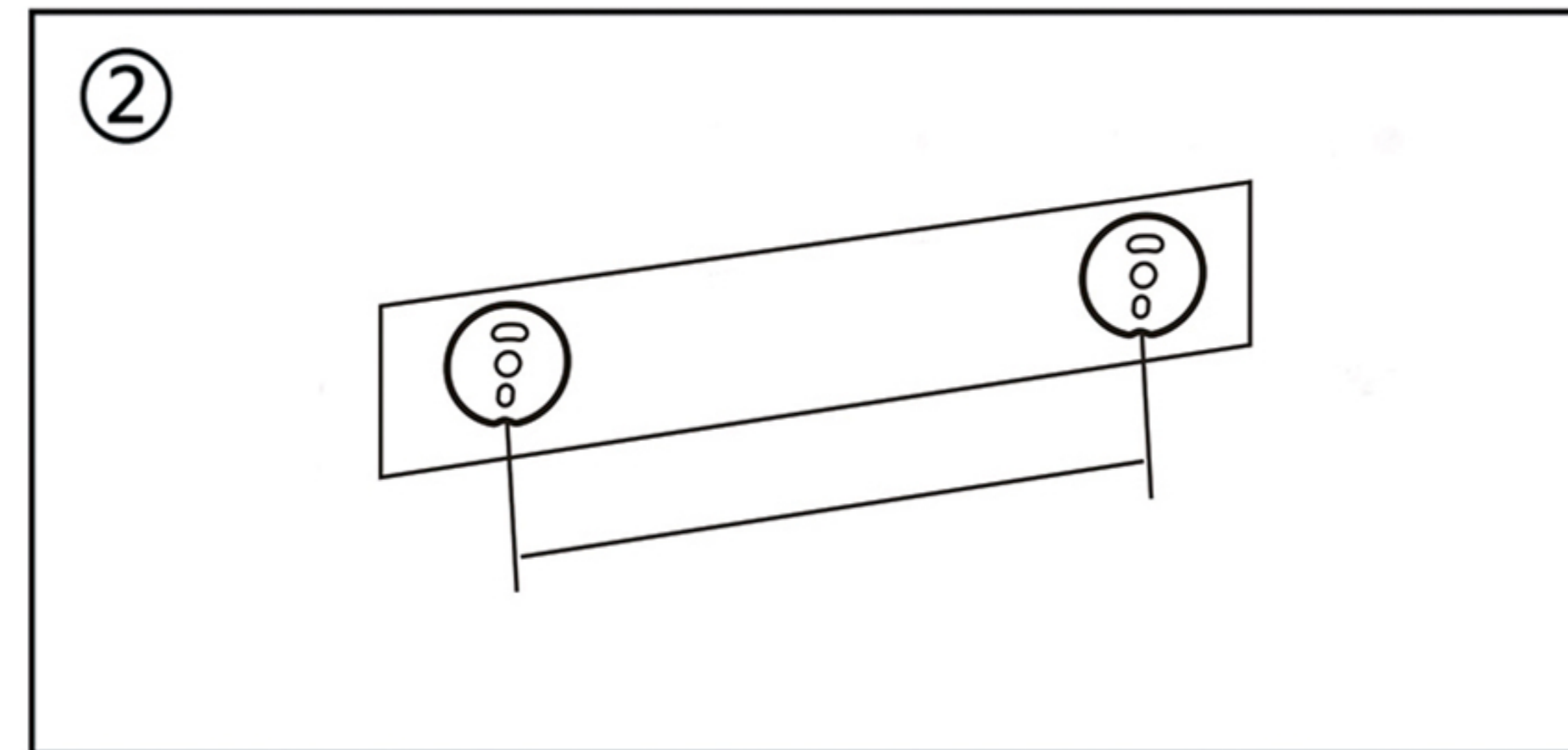


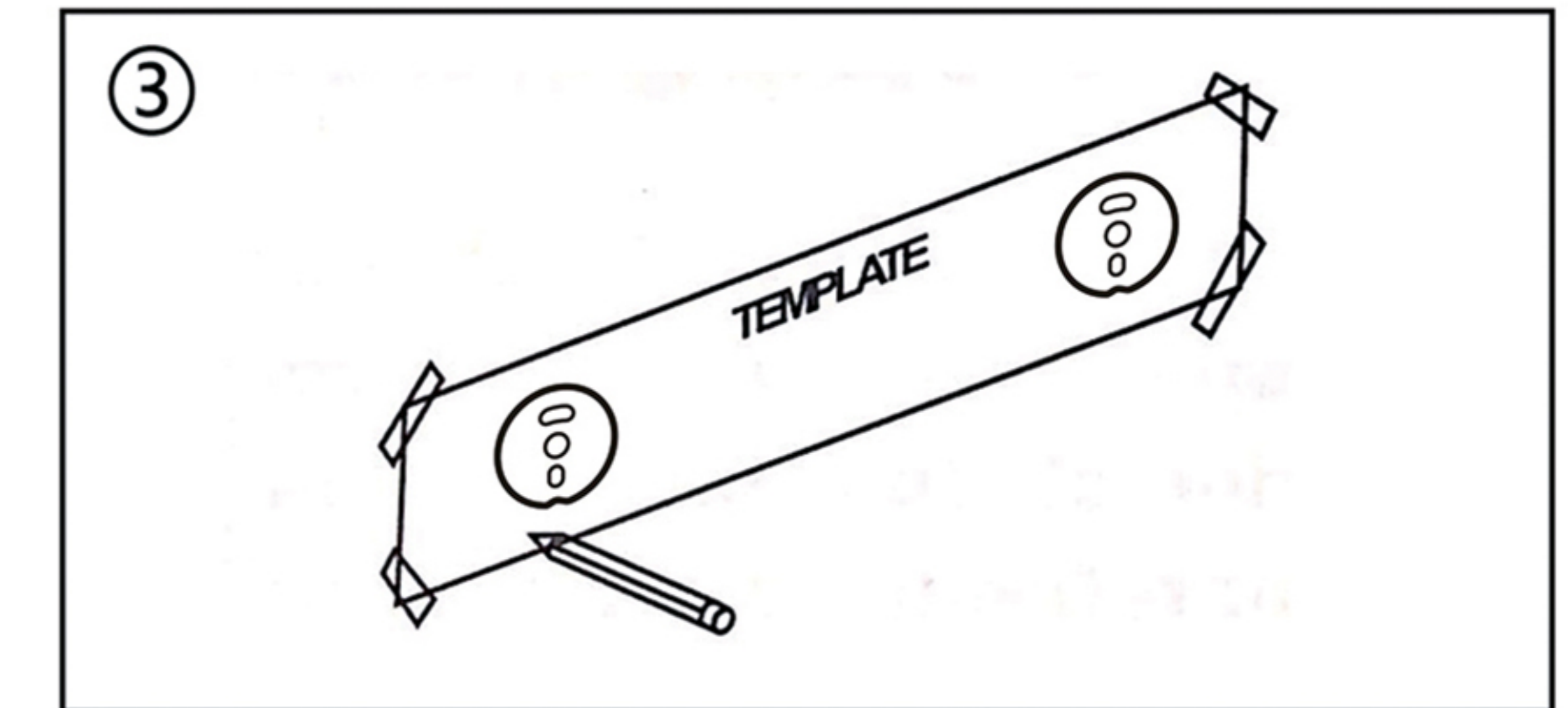
INSTALLATION INSTRUCTION



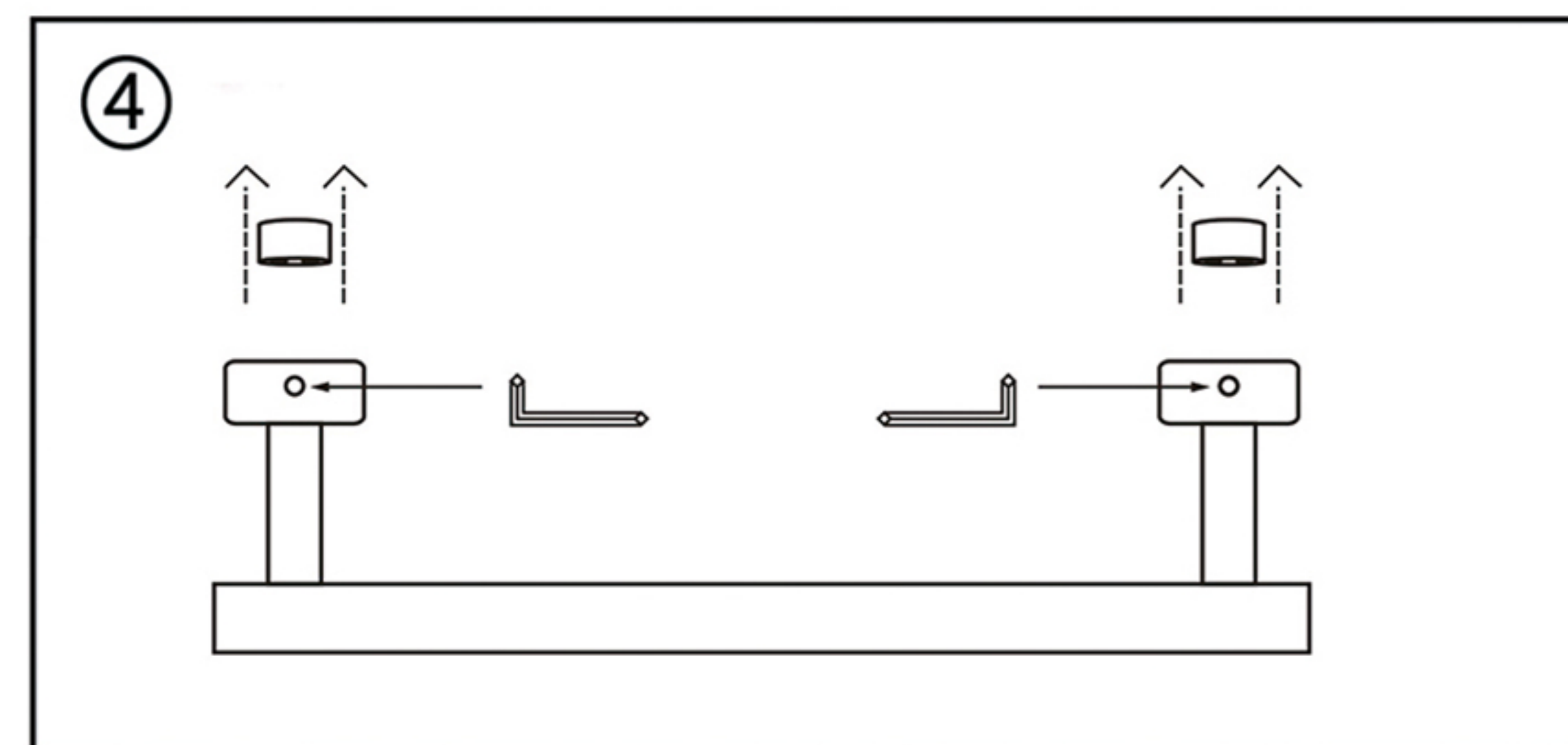
Check that all mounting hardware is included in the package



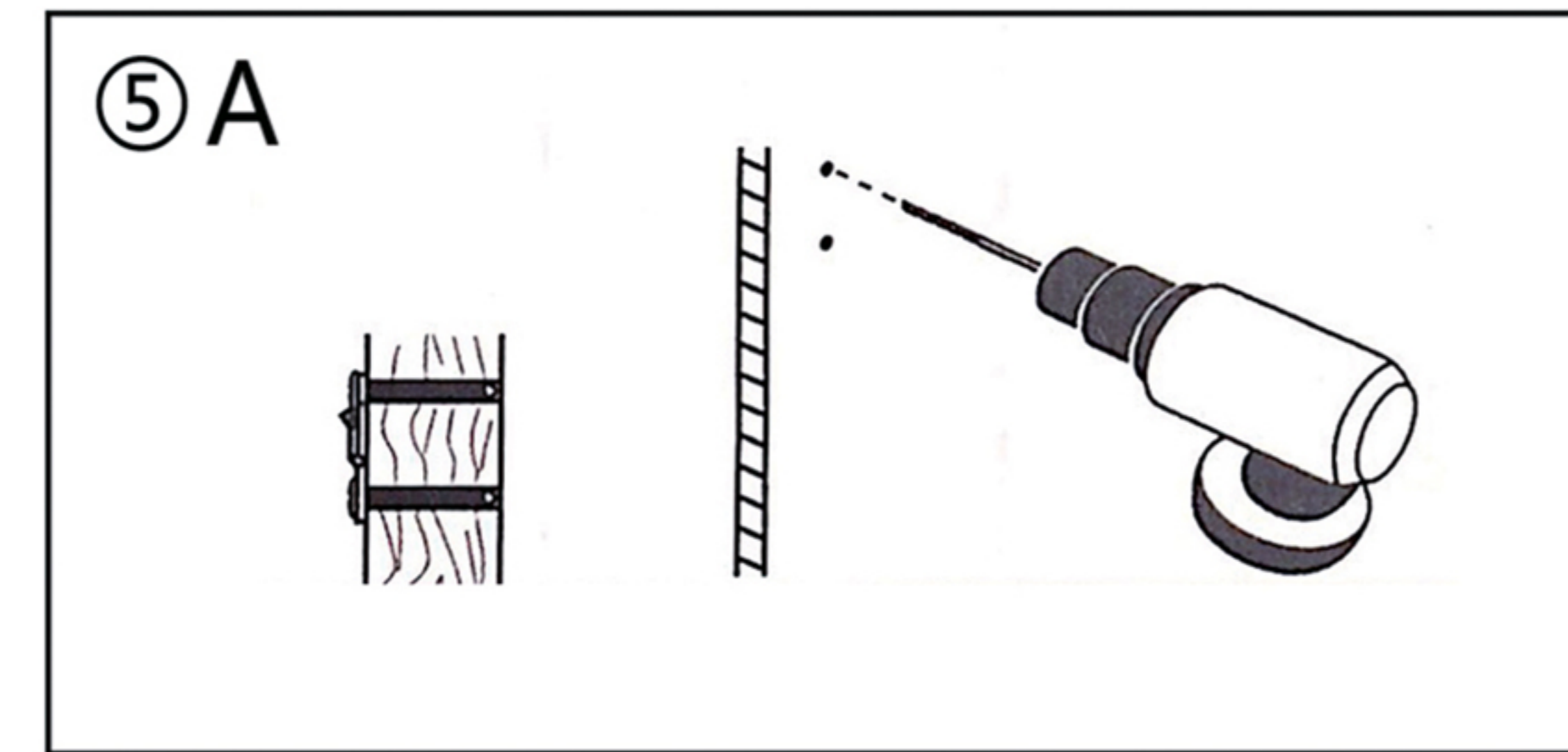
Identify which item you are going to install. Here, taking the towel bar for an example.



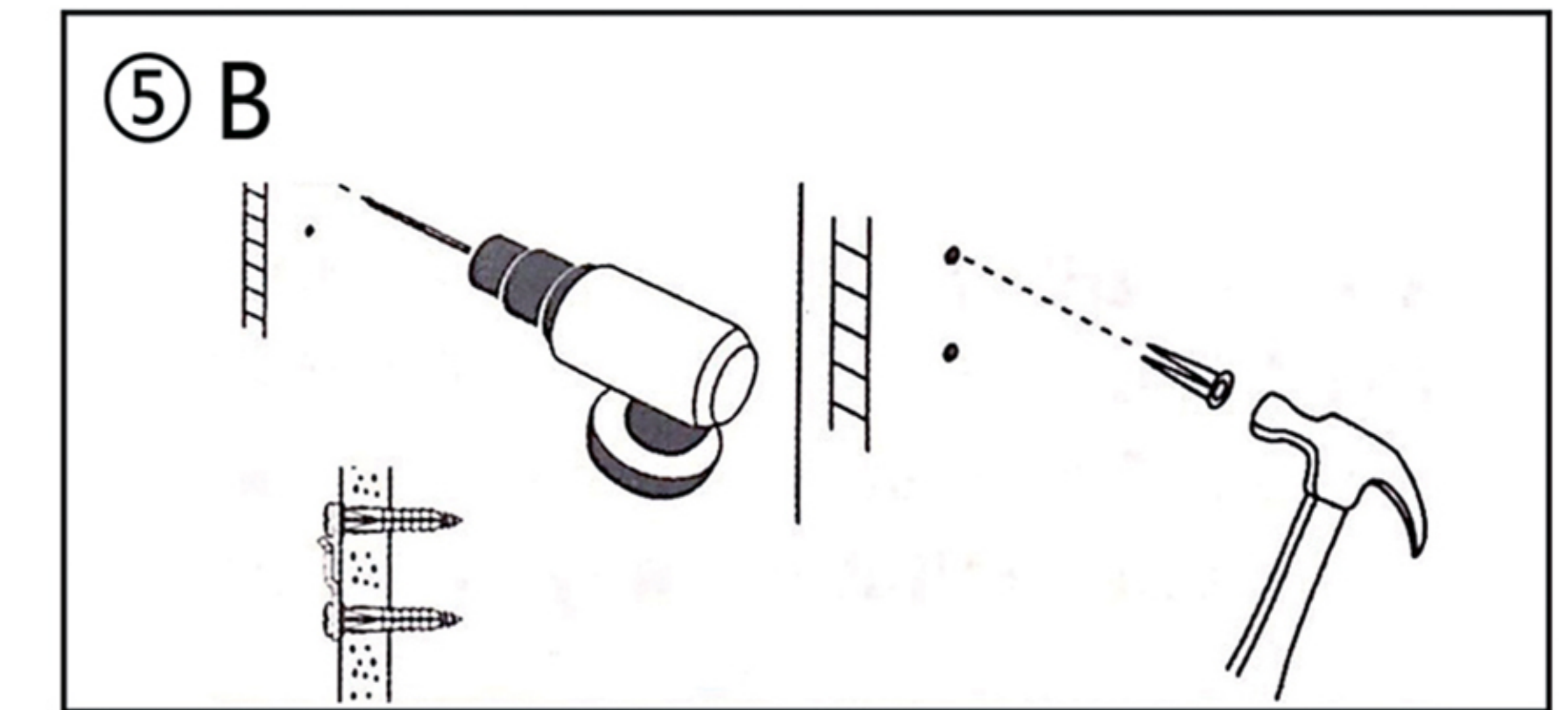
Using a pencil, mark locations of screws on the wall. Make sure the mark is level.



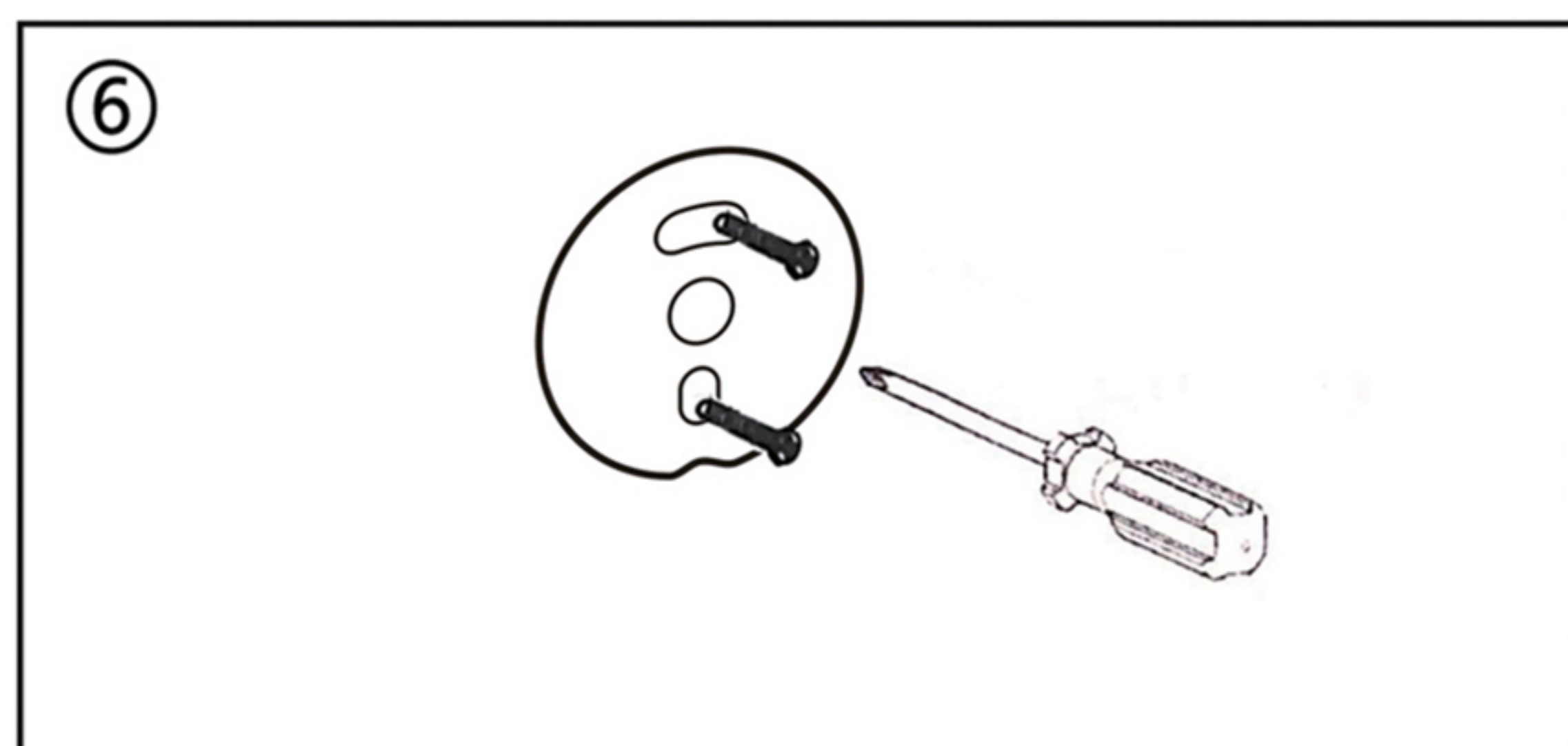
Unscrew the fixed screw with the provided small wrench and remove the fixed brackets.



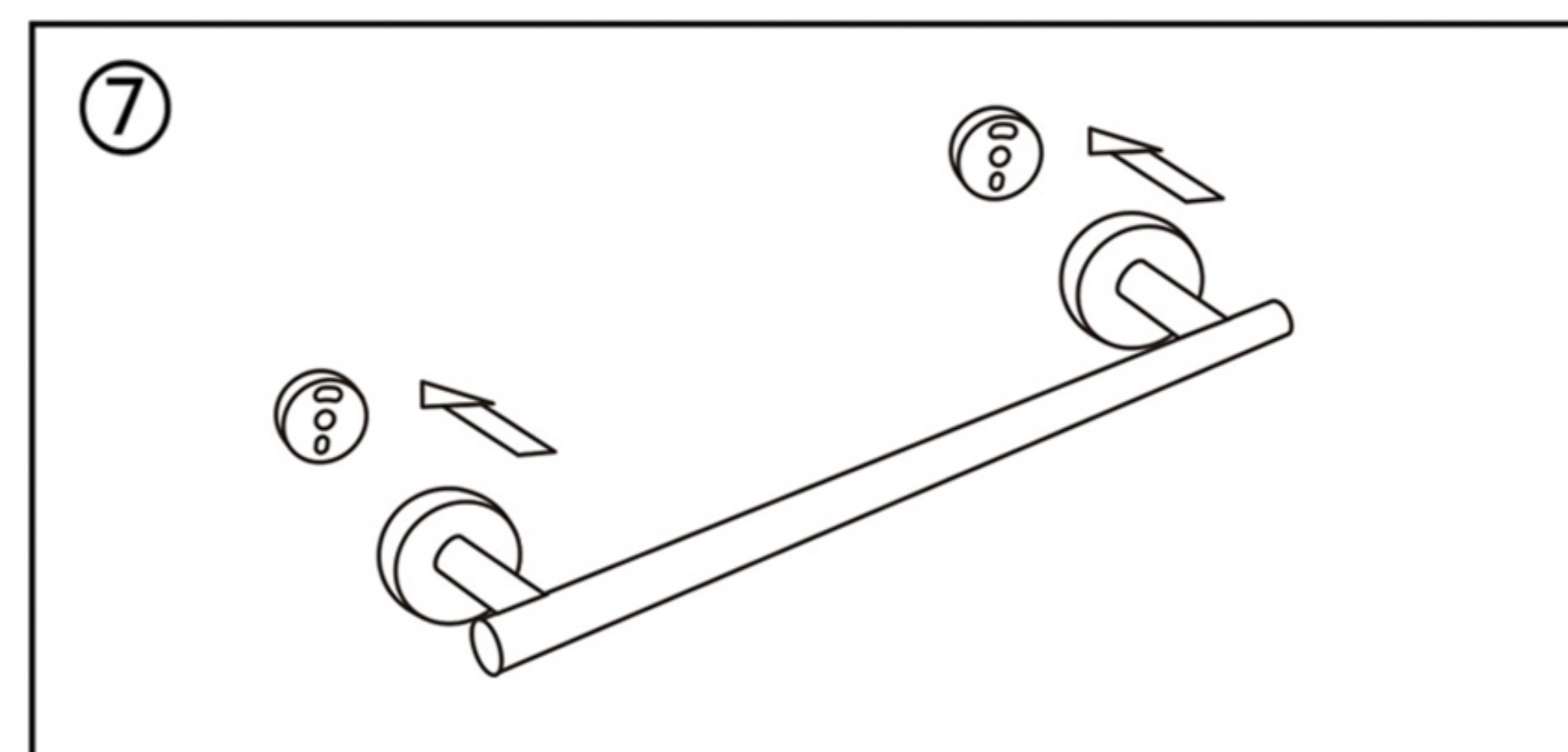
5A. If installing on wood wall or installing screw directly, please drill 1/16" holes. Anchors are not required for this situation.



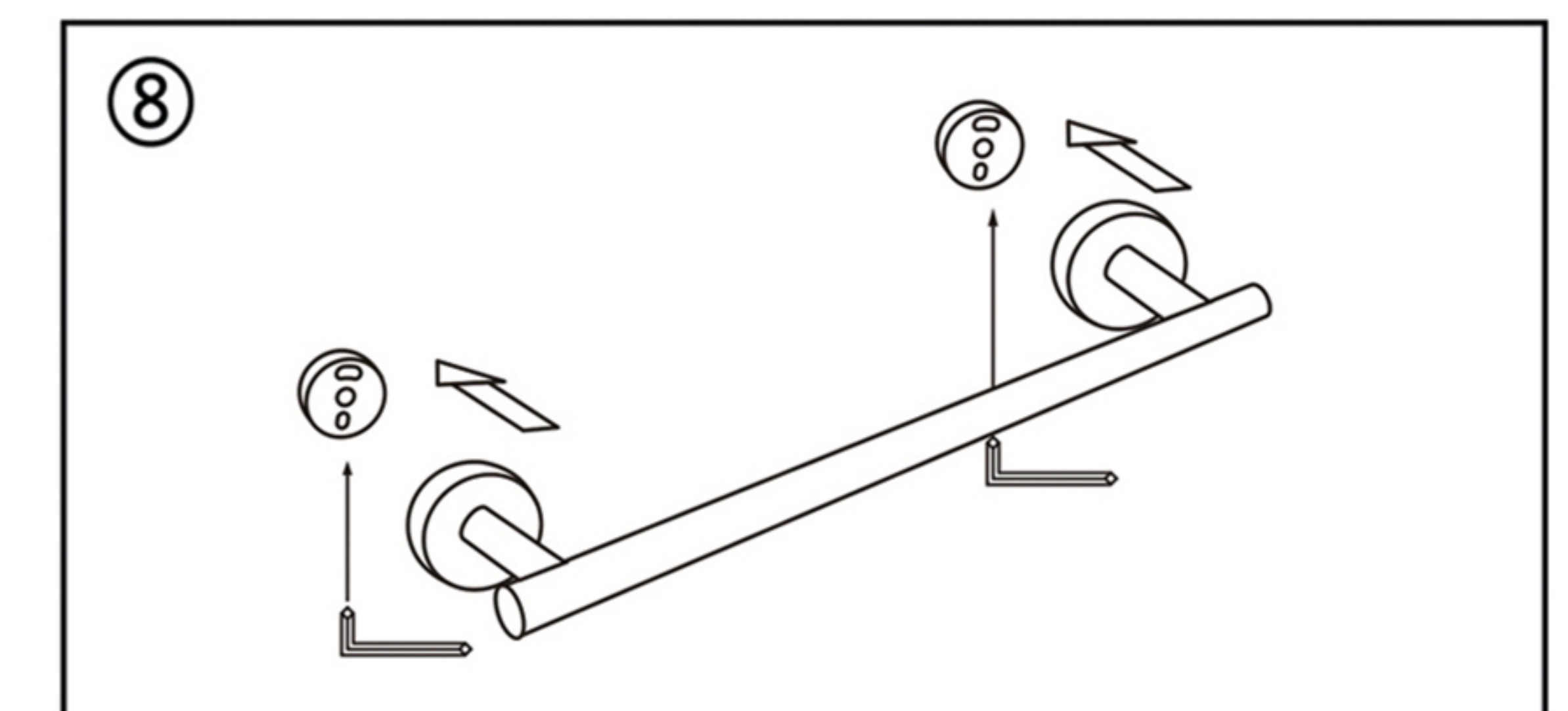
5B. If installing on sheetrock or ceramic tile, please drill 3/16" holes (be sure to keep drill level), then hammer the anchors into the holes. Be careful not to break tile.



Attach the brackets (confirm that the clips face outward) to wall with provided screws. Confirm the brackets are level.



Aim the towel bar at the two fixed brackets and put it on.



Tighten the screws with the small wrench.