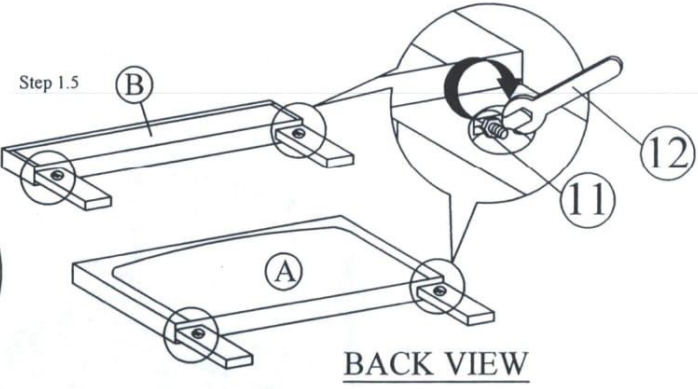
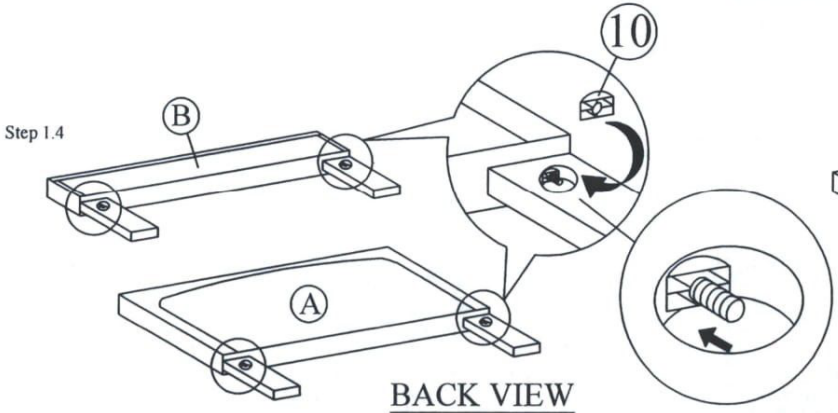
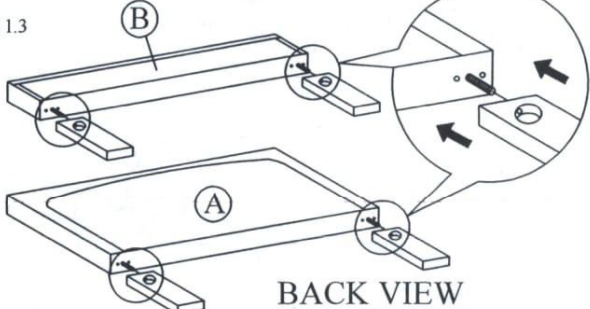
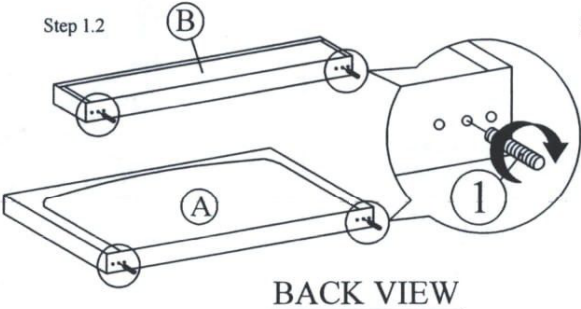
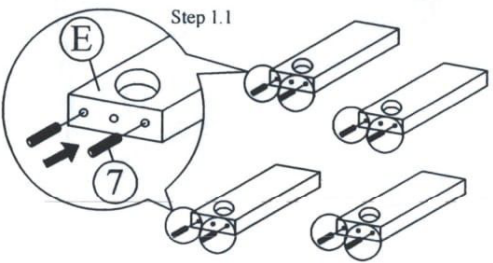


Assembly Instruction

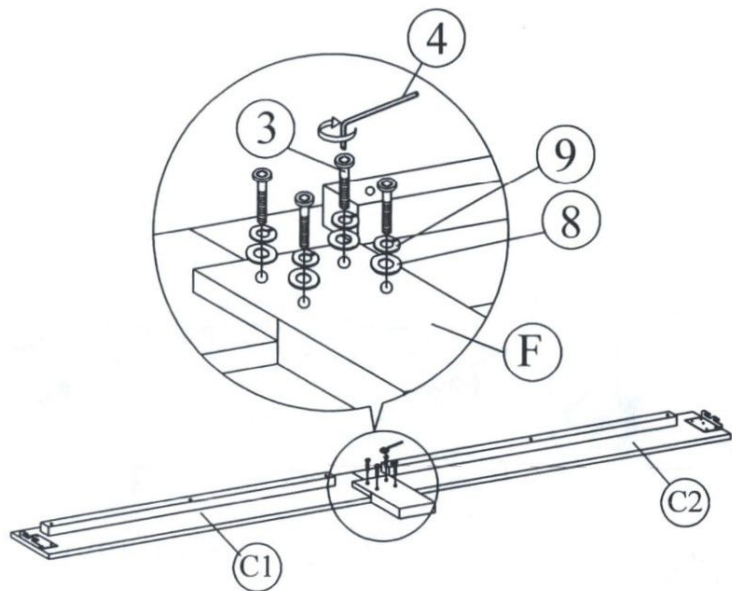
Step 1 : Tighten the legs (E) to the headboard (A) and footboard (B) as shown.

(BOX 1) HEADBOARD/FOOTBOARD/SIDE RAIL		
NO	ITEM	QTY
A	HEADBOARD	1 PC
B	FOOTBOARD	1 PC
C	SIDE RAIL	4 PCS
D	SLAT	2 PCS
E	LEG	4 PCS
F	SIDE RAIL LEG	2 PCS

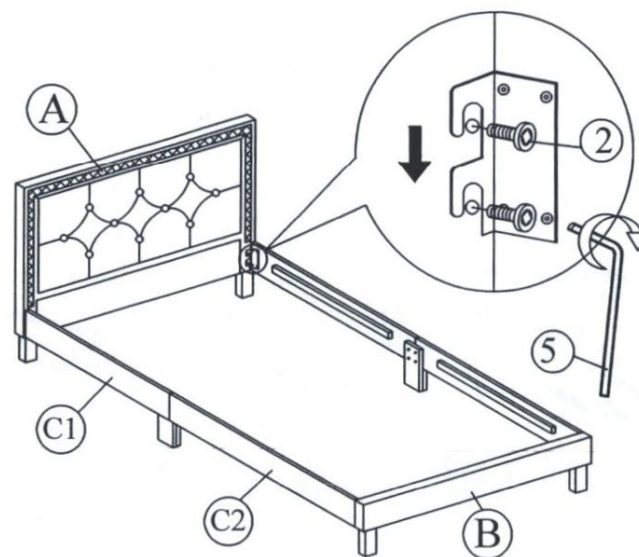
(BOX 1) HARDWARE LIST		
NO	ITEM	QTY
1	JCBC NO HEAD	4 PCS
2	JCBB M8 x 30MM	8 PCS
3	JCBC M6 x 30MM	8 PCS
4	M4 x 65MM	1 PC
5	M4 x 70MM	1 PC
6	FLAT HEAD CHIPBOARD SCREW M4 x 32MM	24 PCS
7	PLASTIC DOWEL	8 PCS
8	M6 FLAT WASHER	8 PCS
9	M6 SPRING WASHER	8 PCS
10	CAP NUT	4 PCS
11	NUT	4 PCS
12	SPANNER	1 PC



Step 2 : Attach the side rail leg (F) to the side rail (C) .



Step 3 : Attach side rail (C) to headboard (A) and footboard (B) by pushing the bracket down to fit it.



Step 4 : Tighten the 4 Corner with Allen Key (5). Install the bed slats to side rail. Tighten the slats with CSK screw. The distance of the slats should be sufficient to obtain desirable bed stability.

