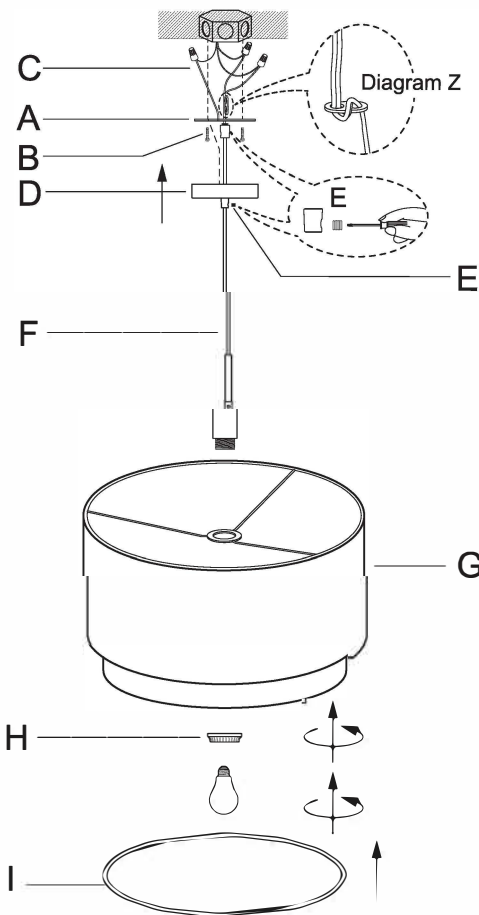
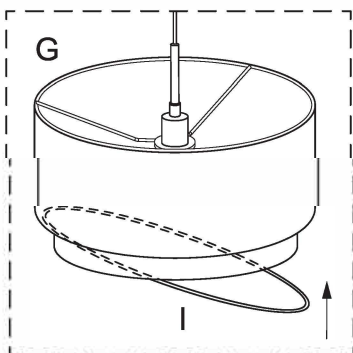
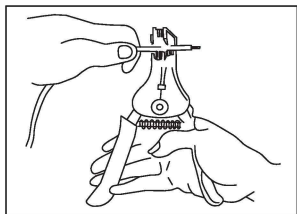
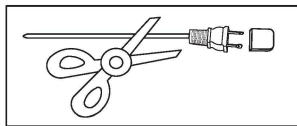


# ASSEMBLY INSTRUCTION



## For Hard wired:

Professional installation recommended.

- Carefully cut the pre-attached plug and cord to required length, and split the pendant's wires by using wire stripper.
- Insert the cord through the canopy (D), the mounting plate (A) and make the figure eight by weaving the cord through the plastic component (See Diagram Z), then tighten it with screw (E) by using screwdriver.
- Ensure power to the ceiling junction box is shut off. Gently pull wiring down from the ceiling junction box and allow it to hang.
- Fasten the mounting plate (A) to junction box with screw (B).
- Attach the copper ground wire from the canopy to the ground wire in the junction box. Wrap connected wires with wiring cap (C) and turn it clockwise until tight.
- Attach the ("L") electrical wire from the canopy to the ("L") electrical wire in the junction box (usually black). Attach the ("N") electrical wire from the canopy to the ("N") electrical wire in the junction box (usually white). Wrap connected wires with wiring cap (C) and turn it clockwise until tight.
- Secure canopy (D) onto mounting plate (A) with screw (E) by using screwdriver.
- Gently pull the inner bottom shade down so that it sits below the big outer shade.
- Place the shade (G) onto the socket and tighten it with socket ring (H).
- Install the bulb (not included), then insert the diffuser (I) at an angle into the bottom of the shade to complete assembly.

## PARTS DIAGRAM

- |                         |                      |
|-------------------------|----------------------|
| (1)x Mounting plate (A) | (2)x Screw (E)       |
| (2)x Screw (B)          | (1)x Shade (G)       |
| (3)x Wiring cap (C)     | (1)x Socket ring (H) |
| (1)x Canopy (D)         | (1)x Diffuser (I)    |

The part (E) and (H) are pre-assembled, please unscrew it before assembly.

## GENERAL PRODUCT INFORMATION:

This product is suitable for dry locations only.

BULB TYPE: Use only with one type A Max 100W bulb (bulbs not included).

WARNING : Do not use cord in damp or wet conditions.

