

Shower Door  
1/4" glass (6mm)

## INSTALLATION GUIDE

**CAUTION:** To reduce the risk of breakage, keep corner protectors on glass while installing. Keep corner protectors for use in case future adjustments are needed. Consult your local plumbing codes prior to installation.

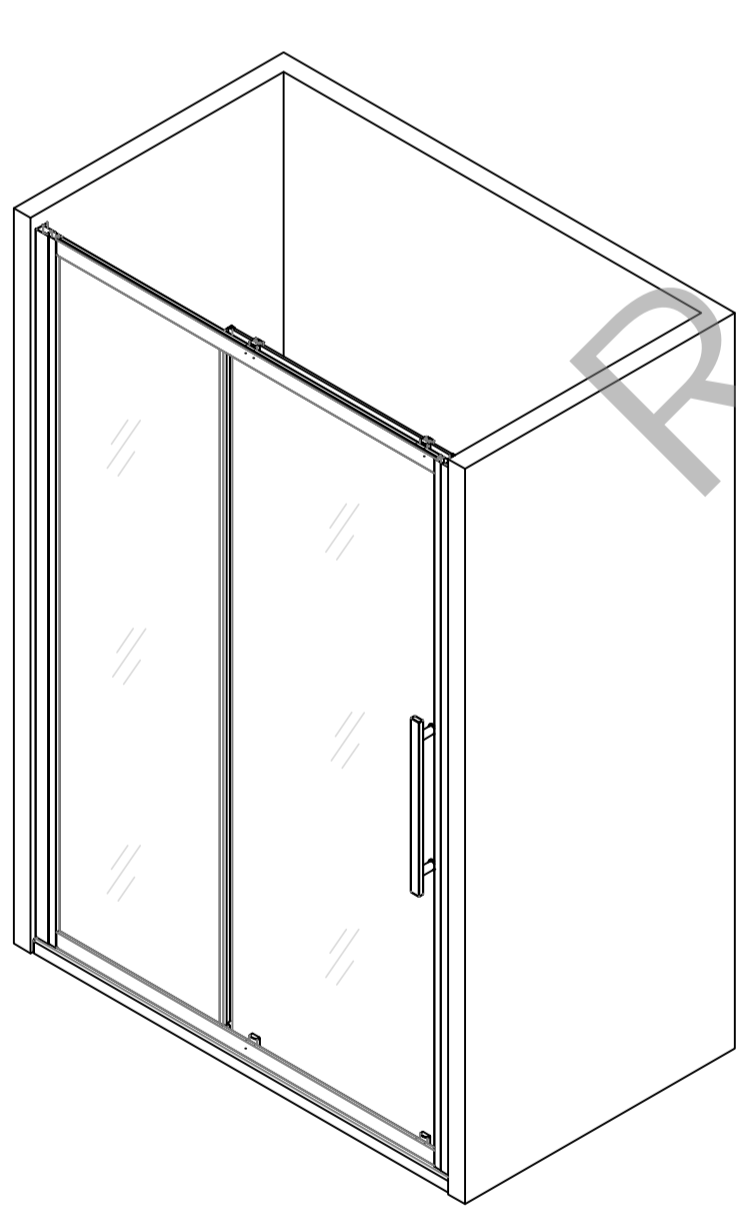
Recommended Clearance Heights for Installation:  
72 inches (1829 cm)

Recommended Width for Installation:  
48-inch enclosure:  
44 - 48 inches (111.8- 121.9 cm)

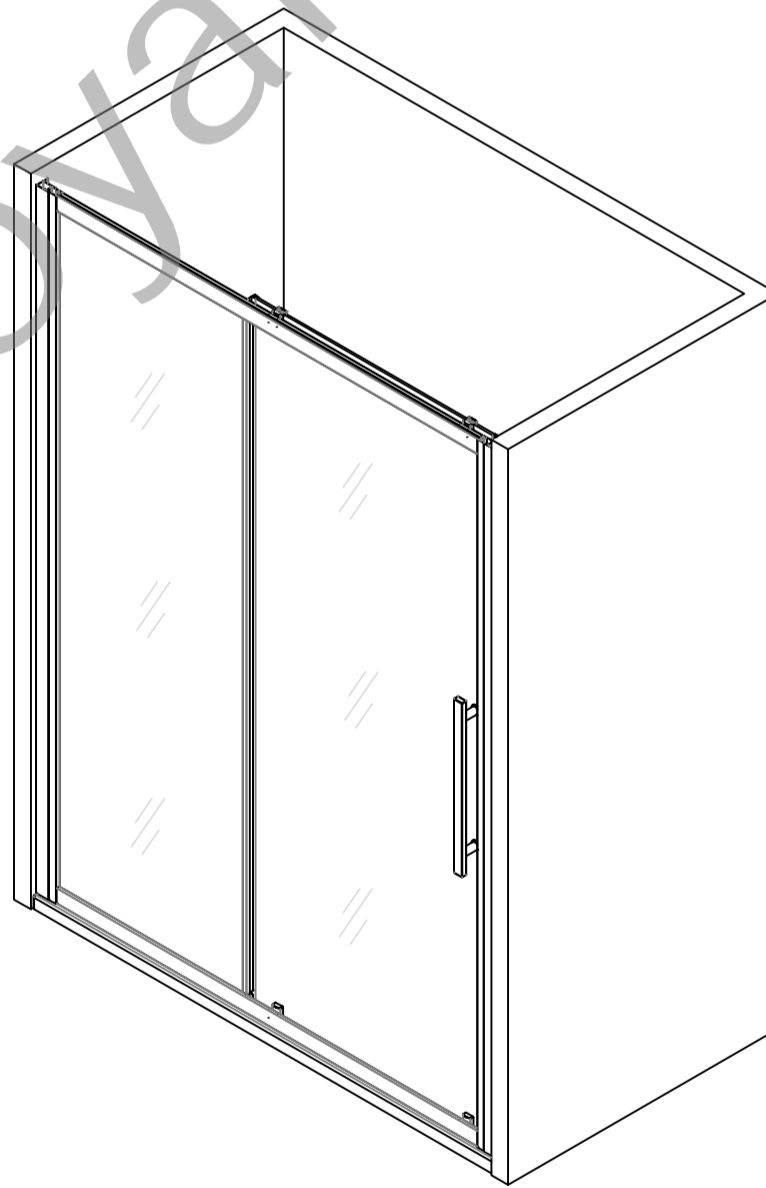
54-inch enclosure:  
50 - 54 inches (127- 137.2 cm)

60-inch enclosure:  
56 - 60 inches (142.2- 152.4 cm)

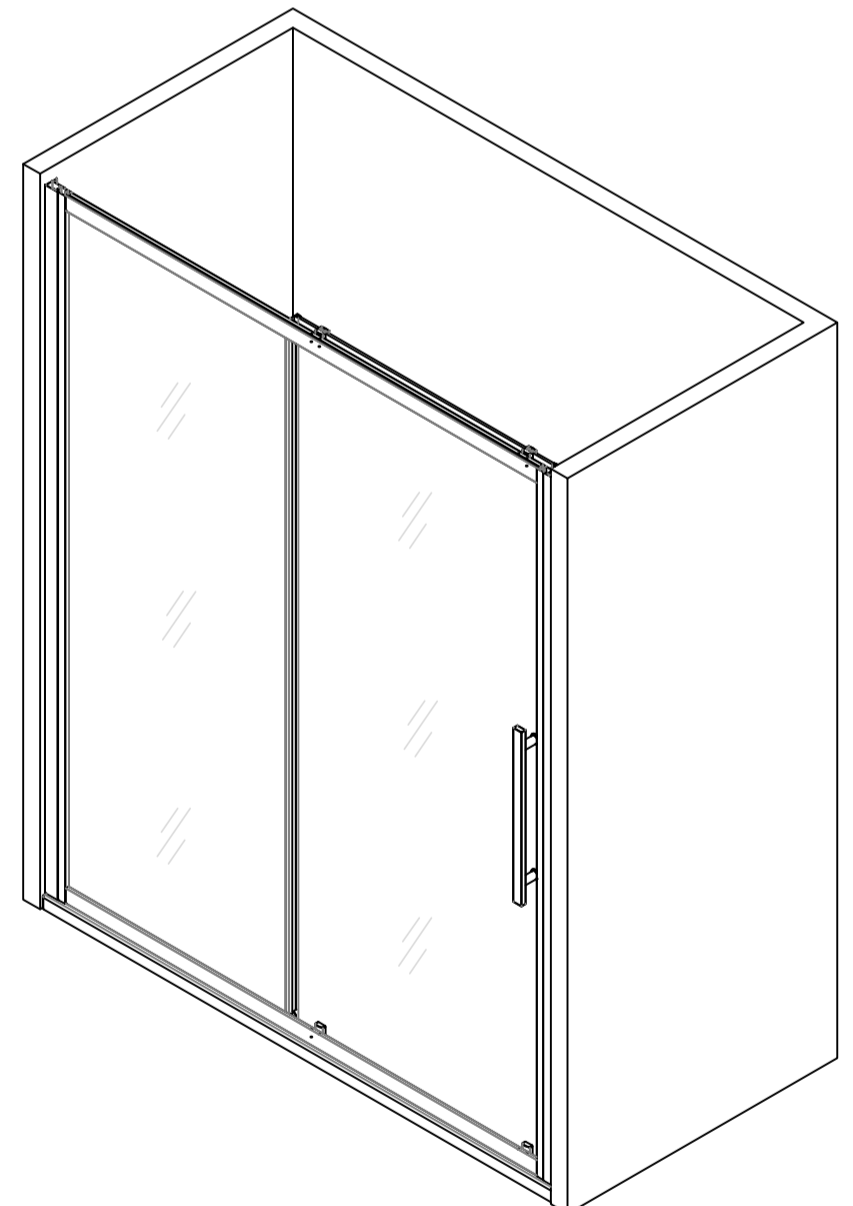
MODEL:  
19124872CH06NP  
19124872MB06NP  
19125472CH06NP  
19125472MB06NP  
19126072CH06NP  
19126072MB06NP



48-inch Enclosure



54-inch Enclosure



60-inch Enclosure

**Reversible For a Left or Right Door**

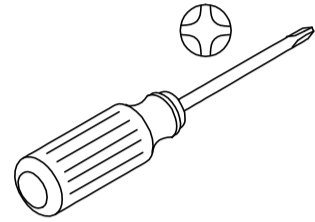
## TOOLS REQUIRED

### Drill Bits

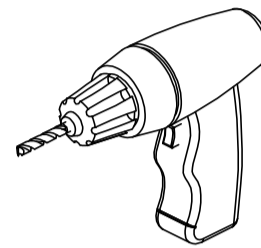


Ø1/4" (6mm) & Ø1/8" (3mm) dia.  
HSS

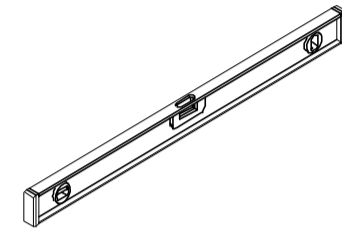
### Screw Driver



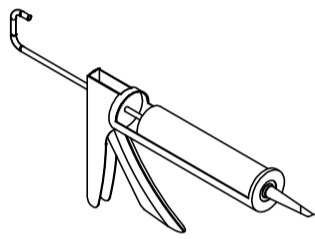
### Drill



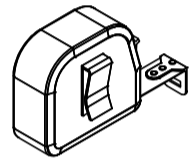
### Level



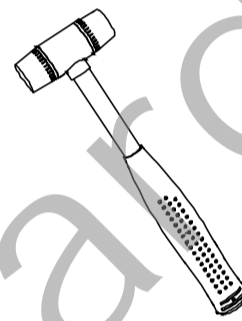
### Silicone



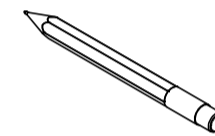
### Measuring Tape



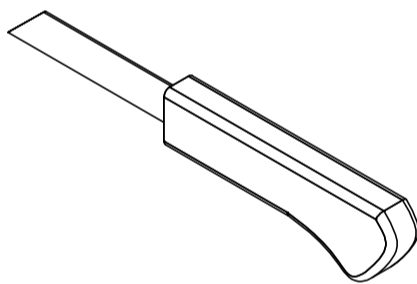
### Soft Head Hammer



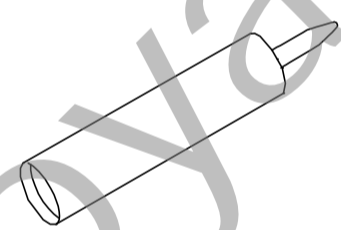
### Pencil



### Knife



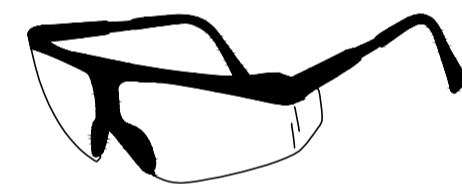
### Sealant



### MASONRY DRILL BIT FOR TILE Ø6mm



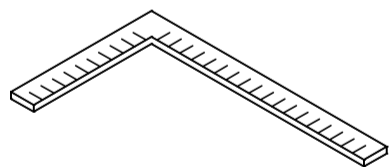
### Safety Glasses



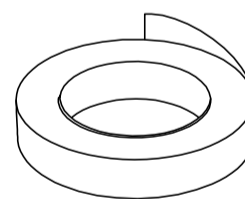
### Glove



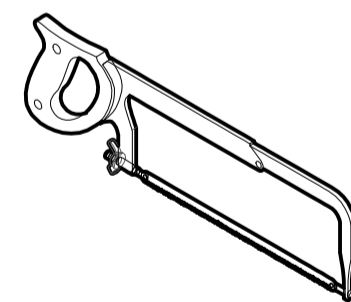
### Carpenter's Squarer



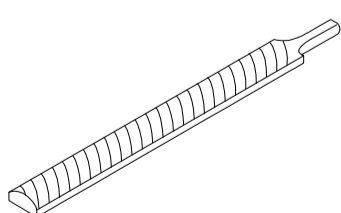
### Masking or painter's tape



### Hack Saw



### Metal File



**CAUTION:** When cutting or drilling metal components or when handling glass, to reduce the risk of personal injury, protective eye wear, gloves, and closed-toe shoes are required.

## SAFETY INFORMATION

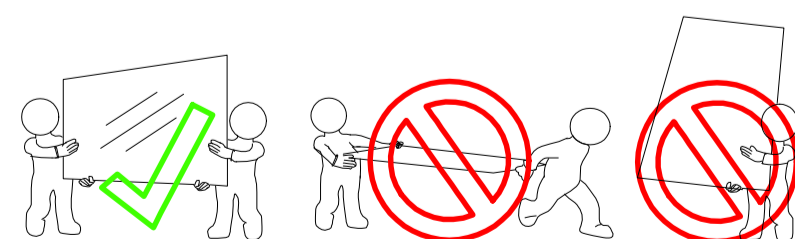
### CAUTION

Please carefully read the following important safety information before handling or installing this shower. There is a risk of serious injury while handling this product.

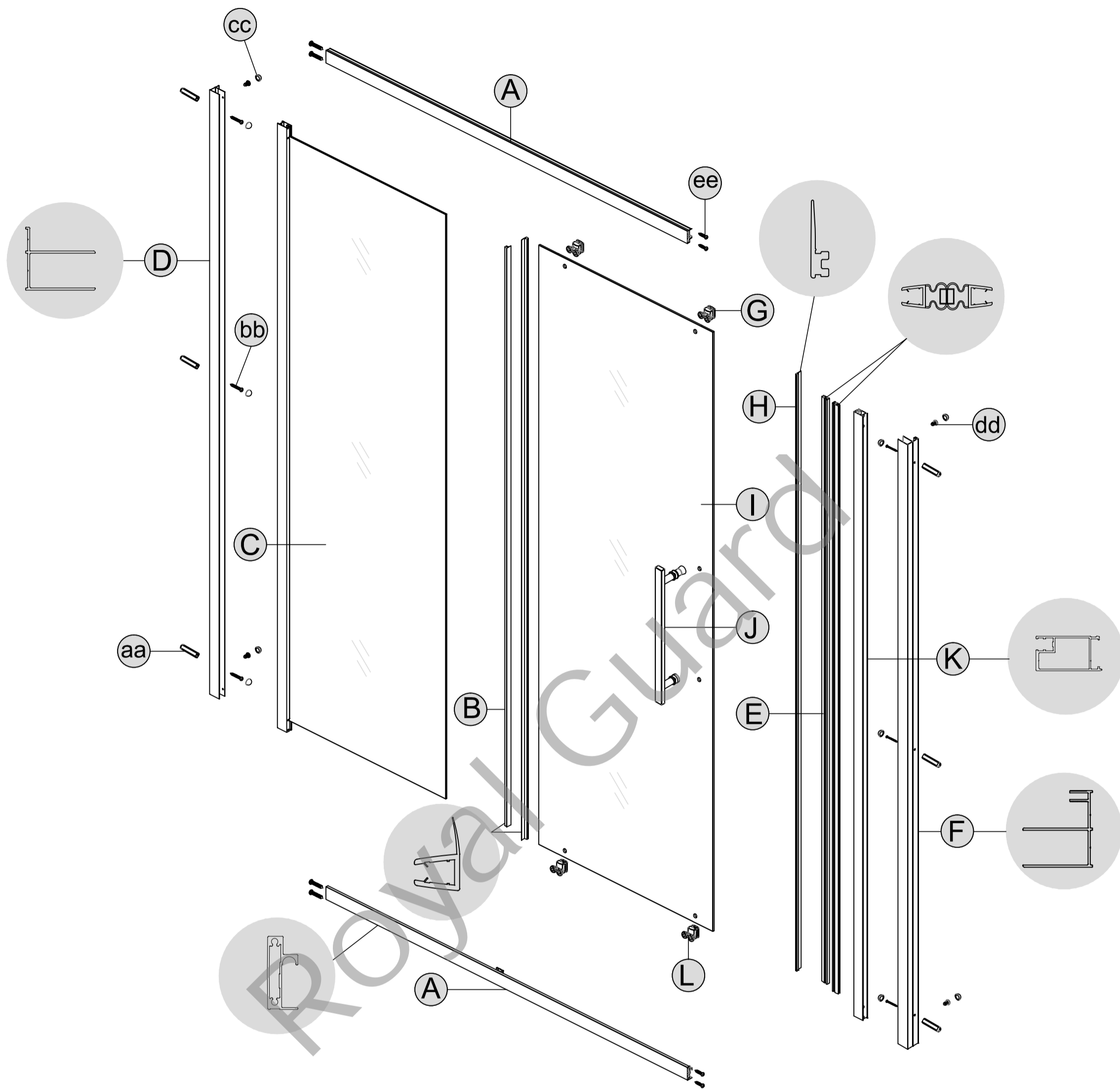
To minimize these risks, please note:

- Always wear safety glasses and gloves while handling.
- Always follow the installation instructions.
- Inspect glass for damage before installation.
- Extreme caution should be taken while handling the glass during installation as the tempered glass may shatter if in contact with a hard surface.
- Do not cut or modify the tempered glass as it will shatter if cut.
- Carefully remove product from packaging and keep packaging until installation is complete.
- Inspect all parts for damage or missing; if there is damage or part missing to the unit prior to installation, please contact customer service at the number provided in this guide.
- Cover the drain with tape to prevent the loss of small parts.
- The shower base and finished walls should be installed before beginning the shower door installation.
- During the installation, protect the shower floor with a drop cloth to avoid damage.
- This product should be installed by two people who are familiar with construction requirements. Professional installation is recommended!
- Keep this installation manual for future reference.

**NOTE: Two people should perform this installation.**



# DOOR ASSEMBLY



## CARTON PARTS IDENTIFICATION

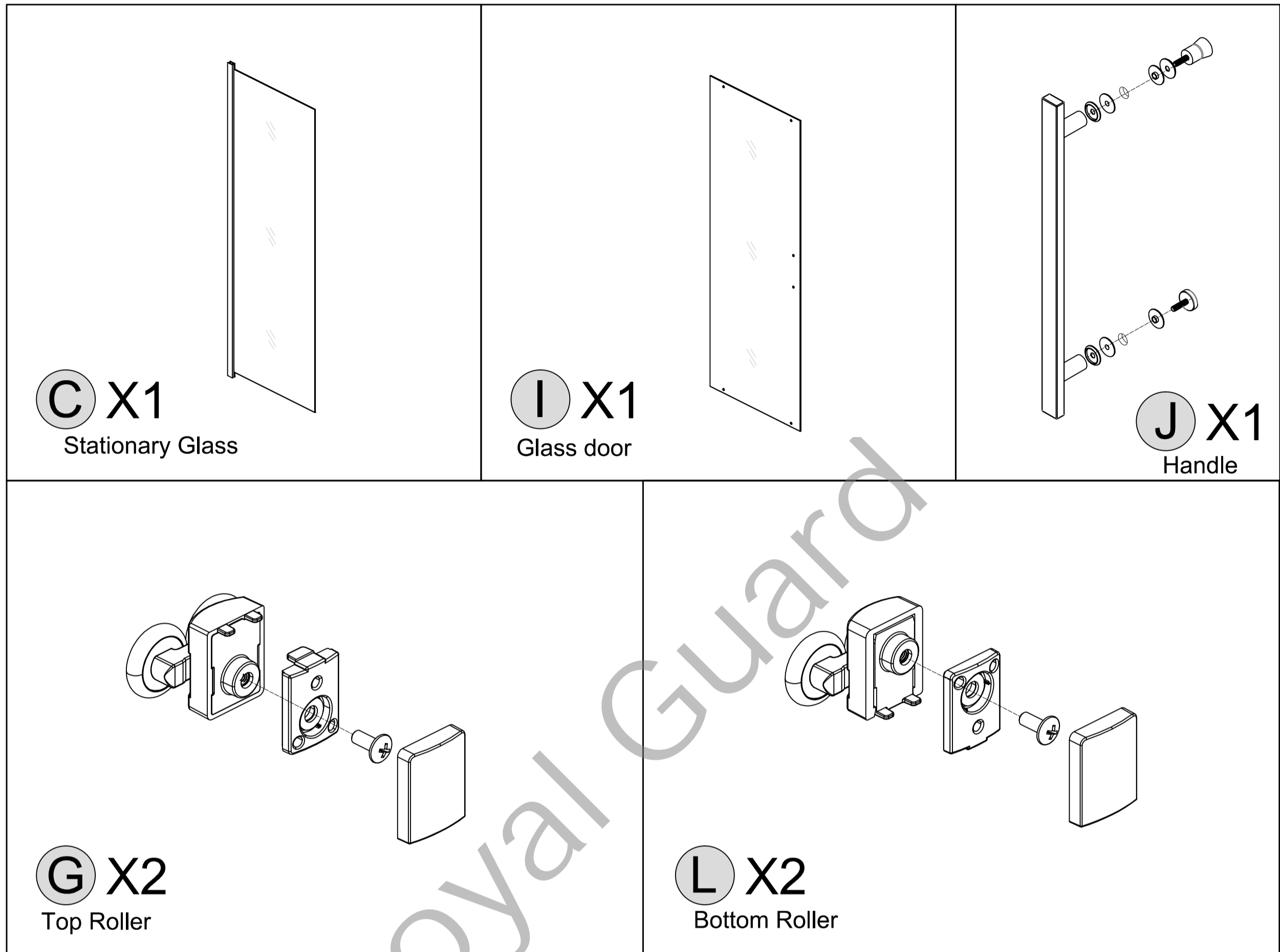
See following pages for detailed component diagrams

| PART# | DESCRIPTION                   | QTY |
|-------|-------------------------------|-----|
| A     | Top and bottom Rail           | 2   |
| B     | Anti-Water Strip              | 2   |
| C     | Stationary Glass              | 1   |
| D     | Wall jamb of Stationary Glass | 1   |
| E     | Magnetic Strip                | 2   |
| F     | Wall jamb of Glass door       | 1   |

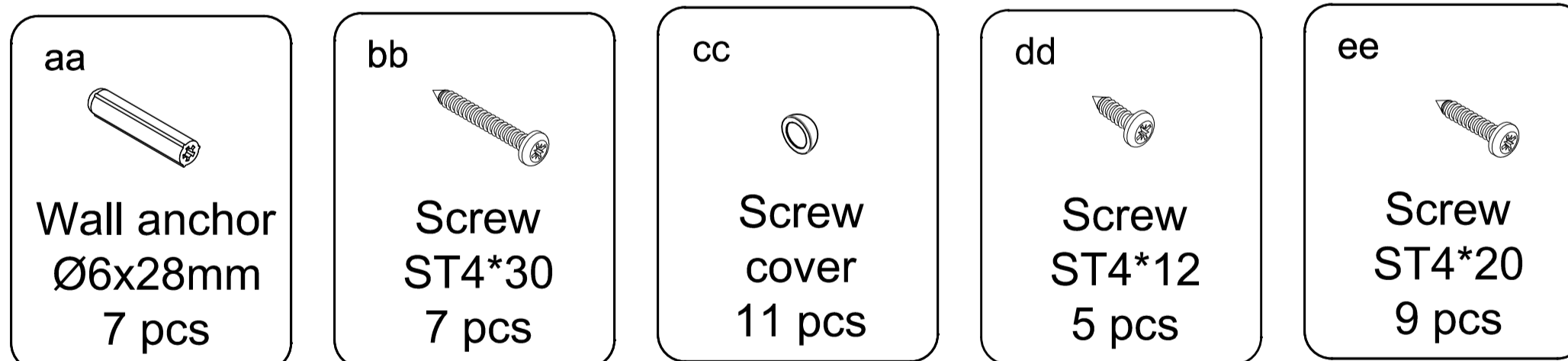
| PART# | DESCRIPTION           | QTY |
|-------|-----------------------|-----|
| G     | Top Roller            | 2   |
| H     | Door glass seal strip | 1   |
| I     | Glass door            | 1   |
| J     | Handle                | 1   |
| K     | AL Profile            | 1   |
| L     | Bottom Roller         | 2   |

## CARTON PARTS IDENTIFICATION

See following pages for detailed component diagrams



## HARDWARE CONTENT



 Additional spare parts are included.

**NOTE: Inspect all parts for missing prior to installation!  
Contact us for any part missing.**



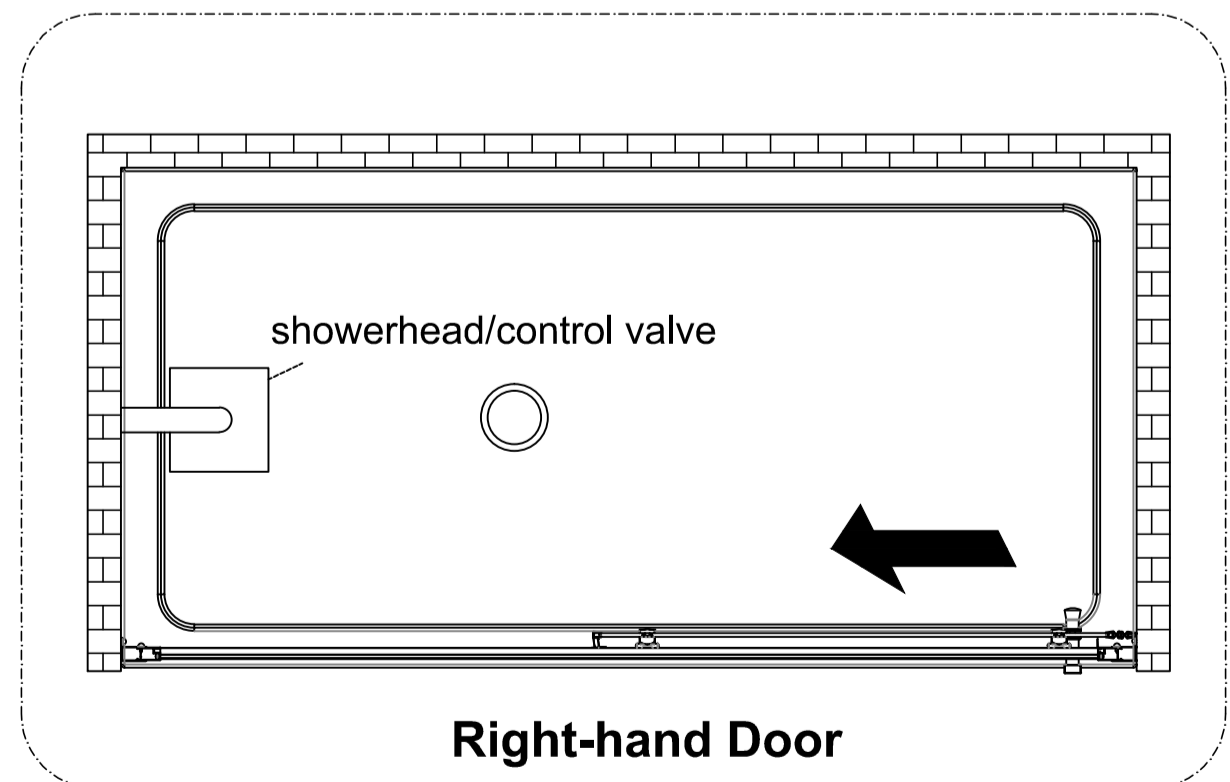
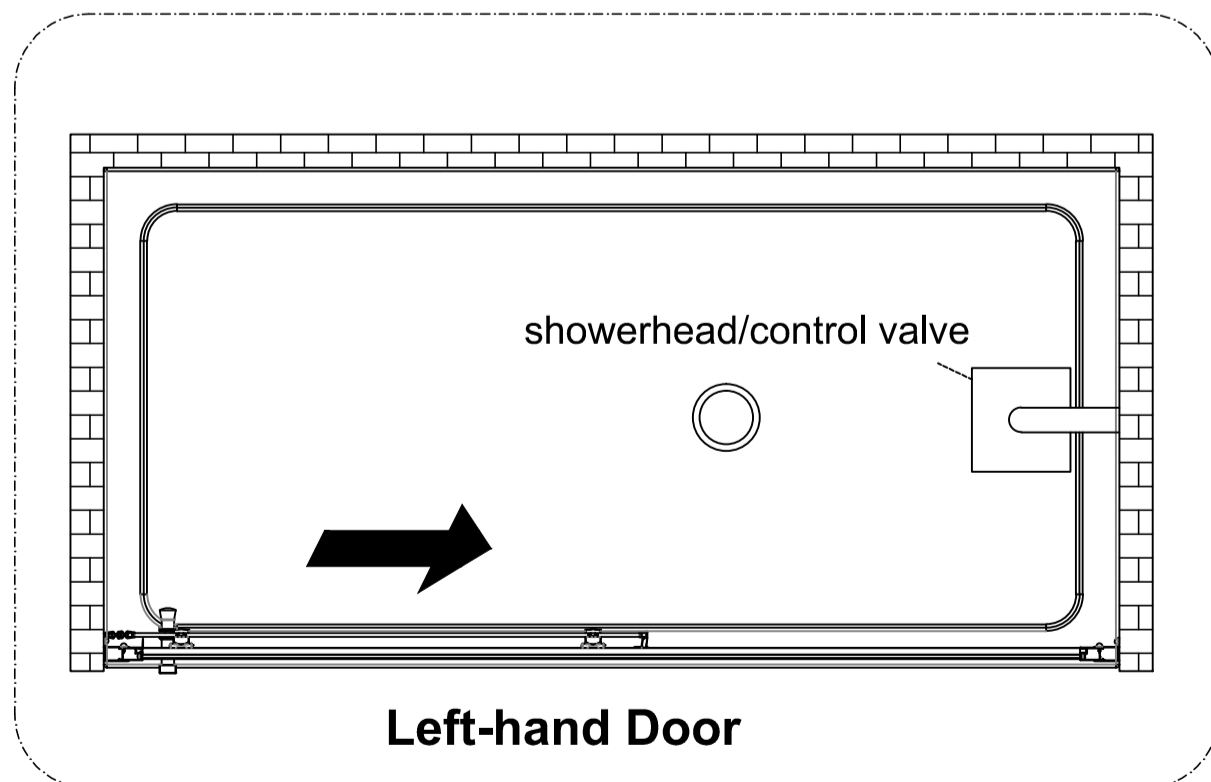
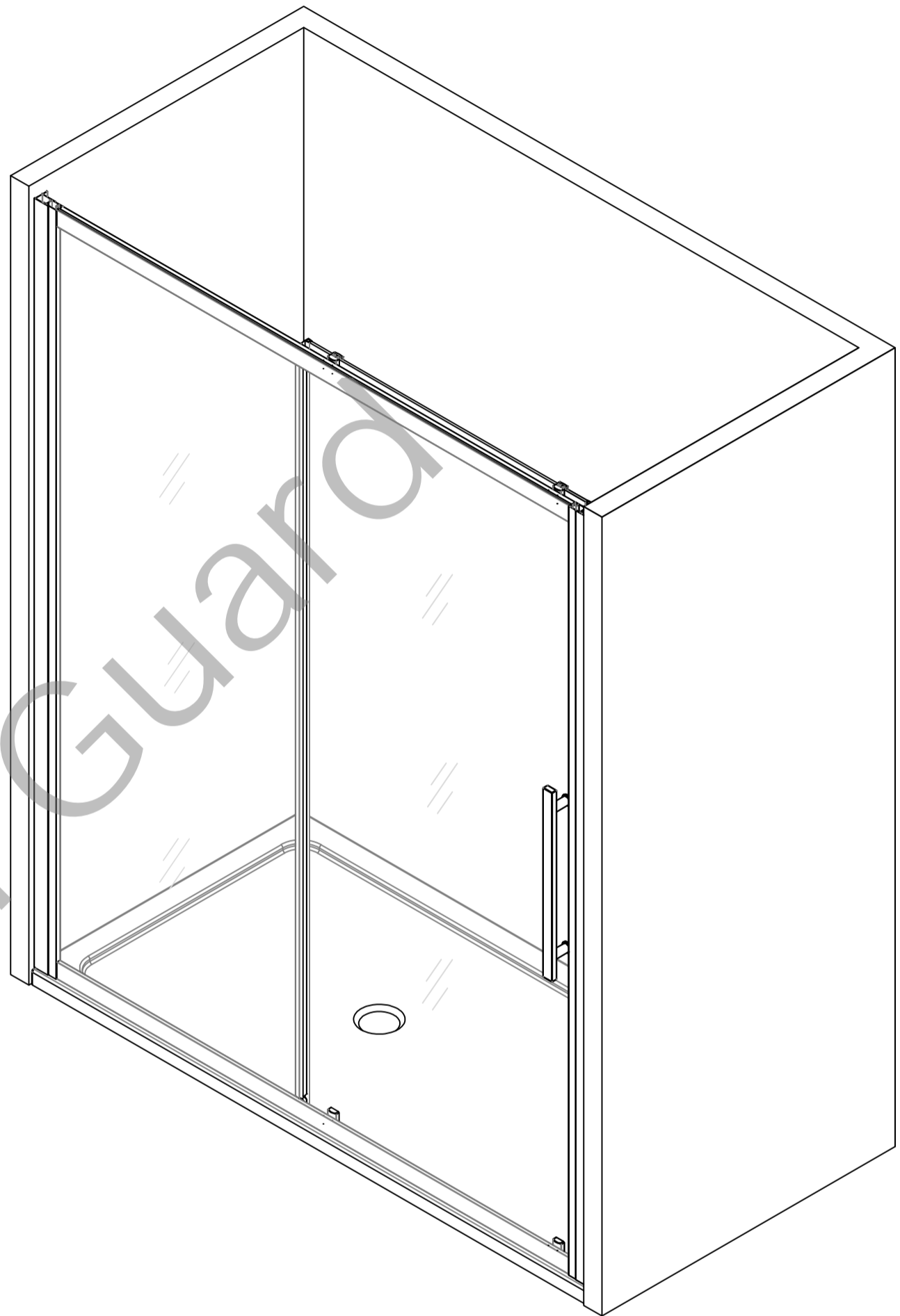
**CAUTION:** To avoid personal injury or property damage, identify components and read all instructions before installing.

NOTE: Door height is 72"(182.9cm).  
Recommended Clearance Height for installation 73 "(185.4cm)

This Commix Exposed Roller Shower Door can be installed to open from either side of your enclosure depending on showerhead/control valve location.

The Glass Door should be installed on the same side as showerhead/control valve for optimal water retention.

NOTE: For the purposes of these instructions, the installation will be shown with the Glass Door (J) to the Right of the enclosure.



# 1 Measure the finished opening width.

**IMPORTANT:** Incorrect measurement may prevent proper door closure. Double-check measurement.

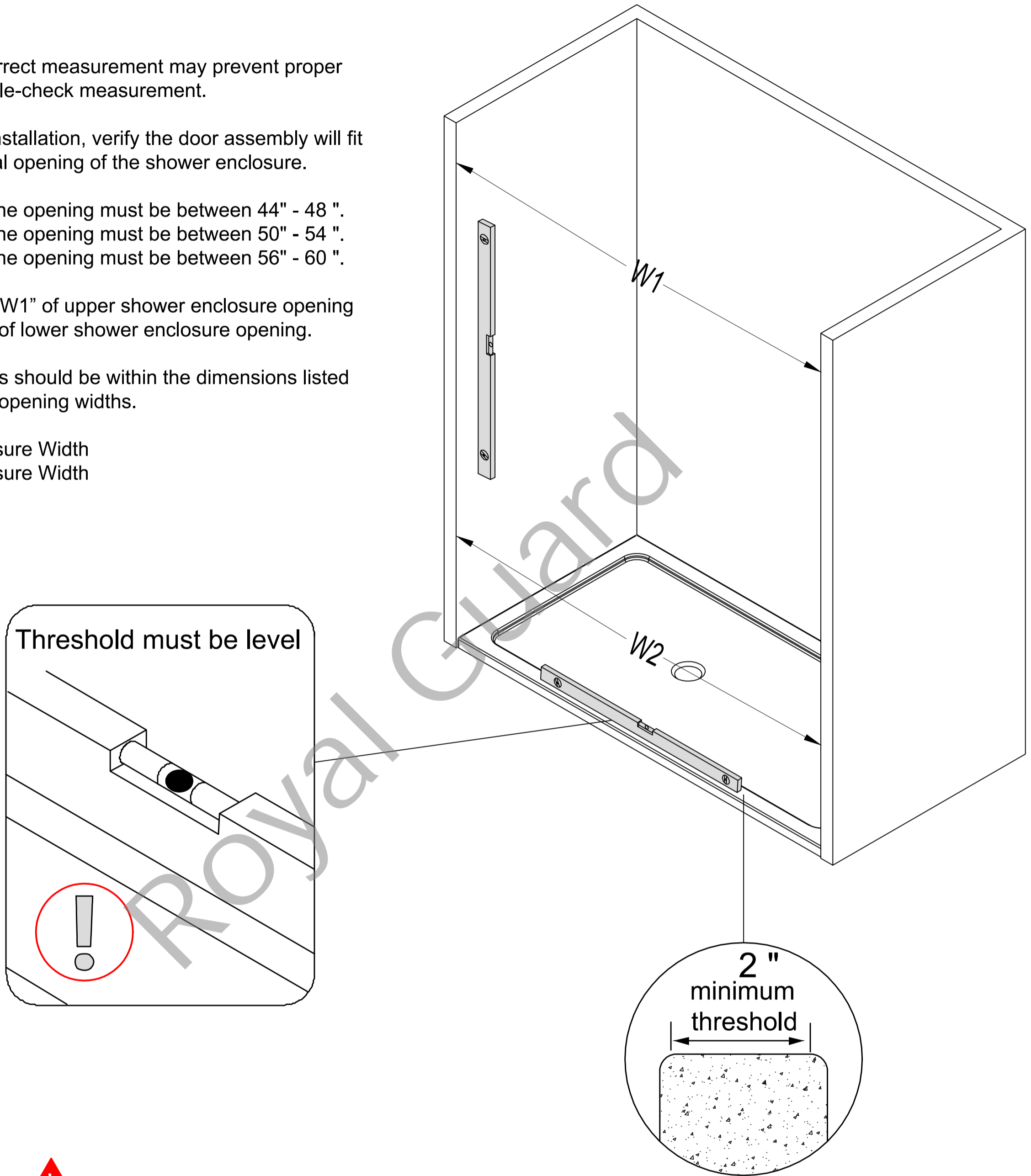
Before beginning installation, verify the door assembly will fit within the horizontal opening of the shower enclosure.


For the 48 " door, the opening must be between 44" - 48 ".  
For the 54 " door, the opening must be between 50" - 54 ".  
For the 60 " door, the opening must be between 56" - 60 ".

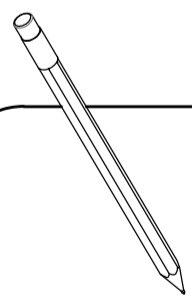
Measure distance "W1" of upper shower enclosure opening and distance "W2" of lower shower enclosure opening.

Both measurements should be within the dimensions listed above for required opening widths.

W1 = Upper Enclosure Width  
W2 = Lower Enclosure Width





 \_\_\_\_\_ Finished opening top (W1)  
\_\_\_\_\_ Finished opening bottom (W2)

## 2 Wall Jamb(D&F) Installation

**NOTE:** This enclosure must be installed at the model size dimensions shown in Table 1. Be sure that the correct size shower enclosure has been ordered to fit the finished dimensions of the base or threshold that the enclosure will be installed on.

**NOTE:** The thickness of the finished wall treatment will effect where the enclosure will align upon the threshold.

TABLE 1 - Enclosure assembly measurements

| <i>Measure from the finished corner to the outside edge of wall profile as shown:</i> |           |
|---|-----------|
| Model No.   | W1/W2     |
| 19124872CH06NP<br>19124872MB06NP  | 44" ~ 48" |
| 19125472CH06NP<br>19125472MB06NP  | 50" ~ 54" |
| 19126072CH06NP<br>19126072MB06NP  | 56" ~ 60" |

1. Measure in 3/8" from the outside of the tray and make a mark and also check **Wall Jamb (D&F)** for plumb ;

2. Position the outside edge of the **Wall Jamb (D&F)** on the mark(3/8") of the tray. Mark the location of the holes ;

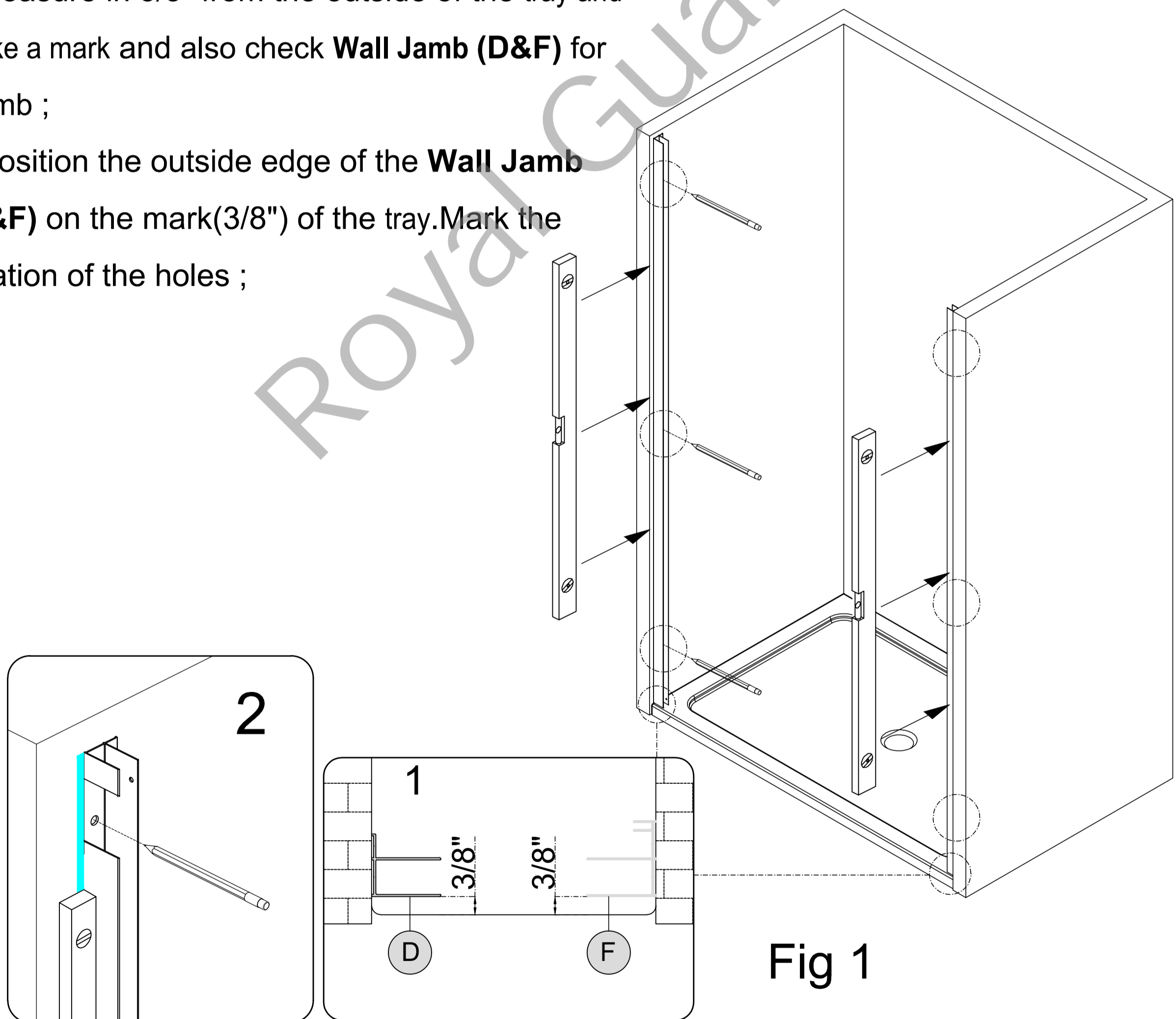


Fig 1

- 3 Cut the Top and bottom Rail (A) to fit your finished opening using either a miter saw or a hacksaw

NOTE

| Model No.                        | Top and bottom Rail not need to cut |
|----------------------------------|-------------------------------------|
| 19124872CH06NP<br>19124872MB06NP | IF: W1/W2 = 46 7/16" ~ 48"          |
| 19125472CH06NP<br>19125472MB06NP | IF: W1/W2 = 52 7/16" ~ 54"          |
| 19126072CH06NP<br>19126072MB06NP | IF: W1/W2 = 58 7/16" ~ 60"          |

NOTE

| Model No.                        | Top and bottom Rail need to cut as Fig.2&Fig.3 |
|----------------------------------|--|
| 19124872CH06NP<br>19124872MB06NP | IF: W1/W2 = 44" ~ 46 7/16"                     |
| 19125472CH06NP<br>19125472MB06NP | IF: W1/W2 = 50" ~ 52 7/16"                     |
| 19126072CH06NP<br>19126072MB06NP | IF: W1/W2 = 56" ~ 58 7/16"                     |

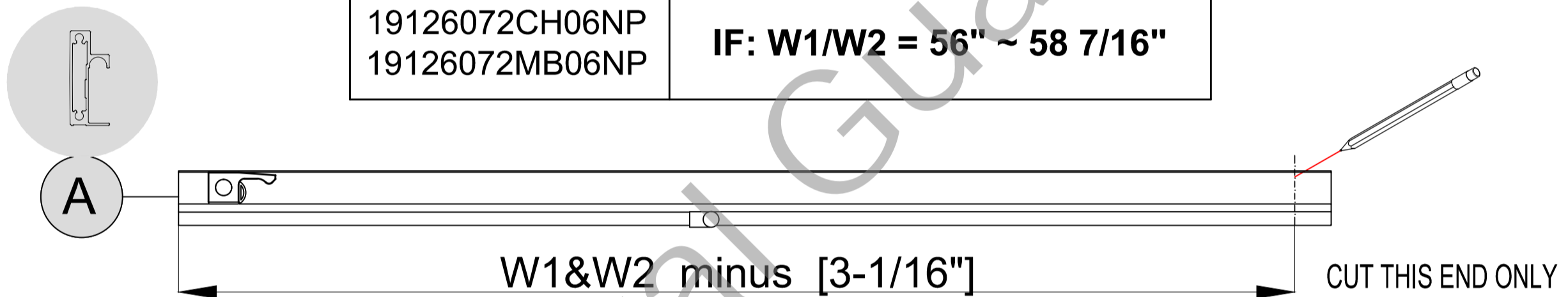


Fig.2

1. Using a pencil or another marking tool , mark distance on the Top and bottom Rail (A) from the edge of the Top and bottom Rail (A) as shown in Fig.2.
2. Cut the Top and bottom Rail (A) to: "W1&W2" dimension minus [3-1/16"]

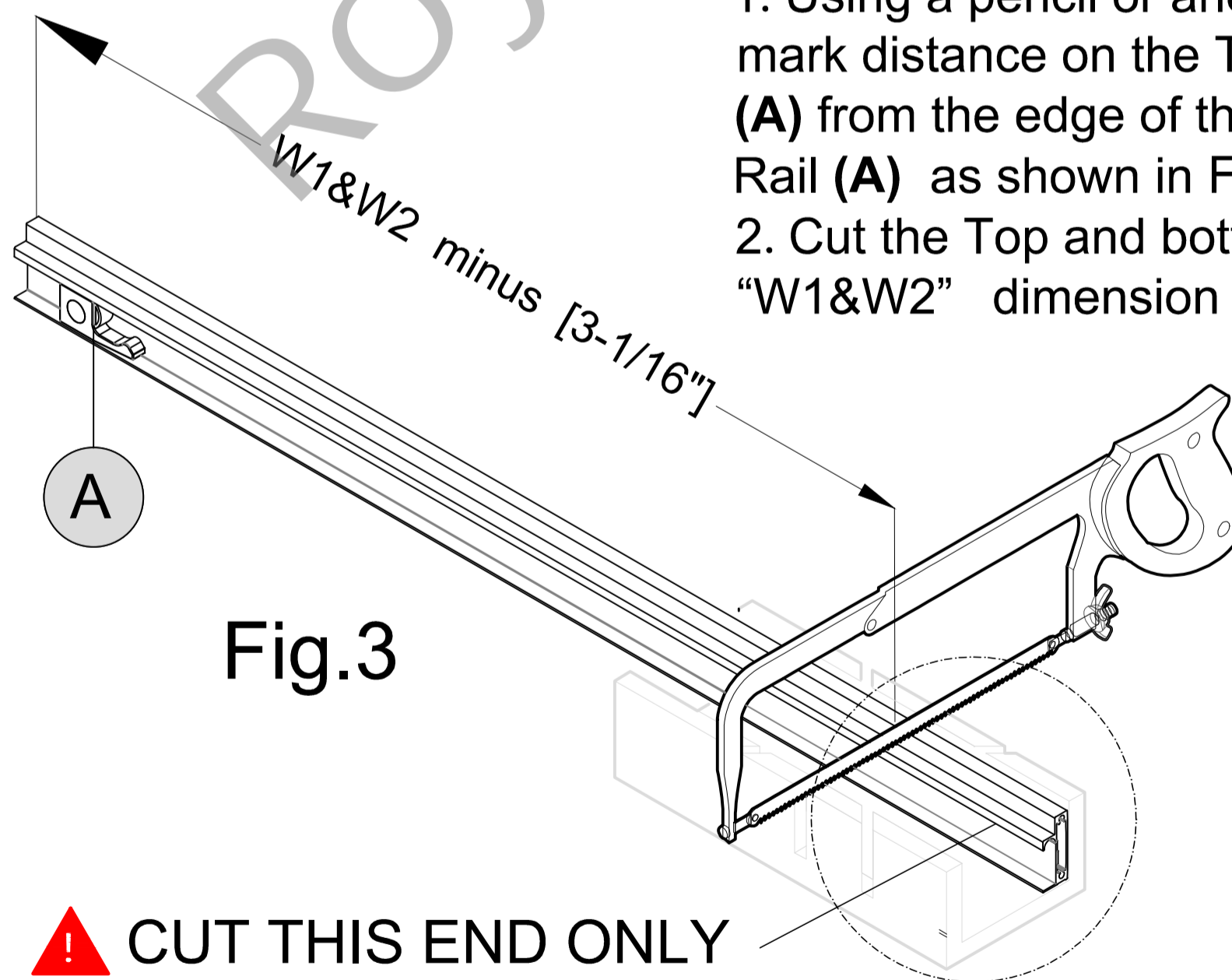
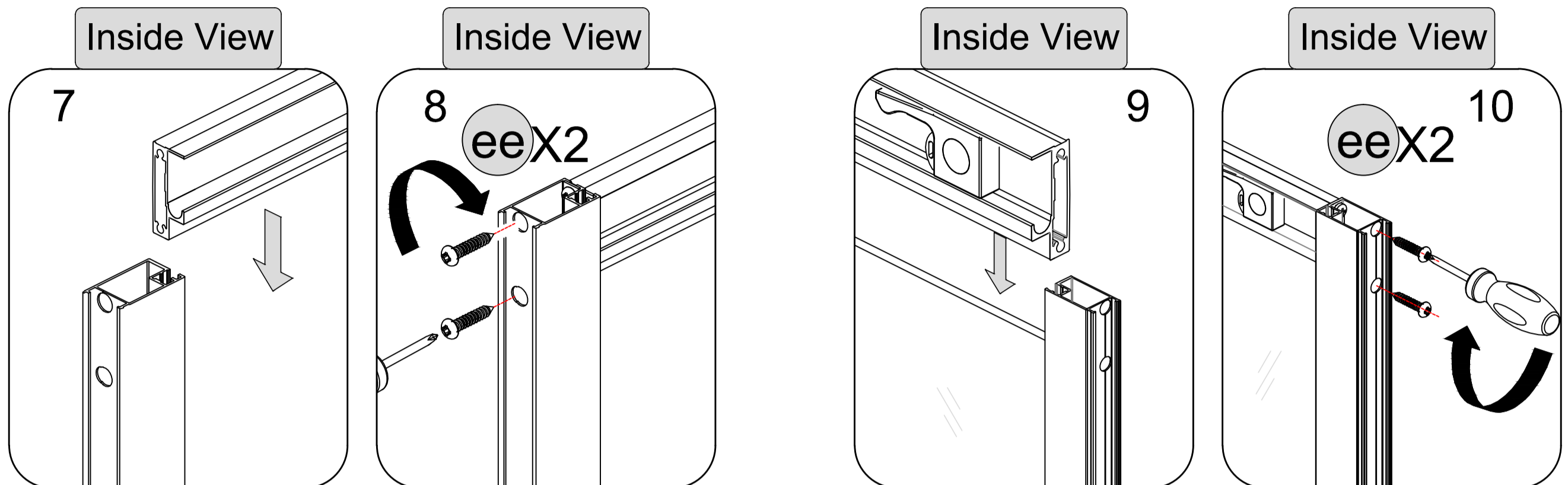


Fig.3

! CUT THIS END ONLY

! Wear safety glasses and cut-resistant, non-slip gloves when drilling or cutting to avoid risk of injury.

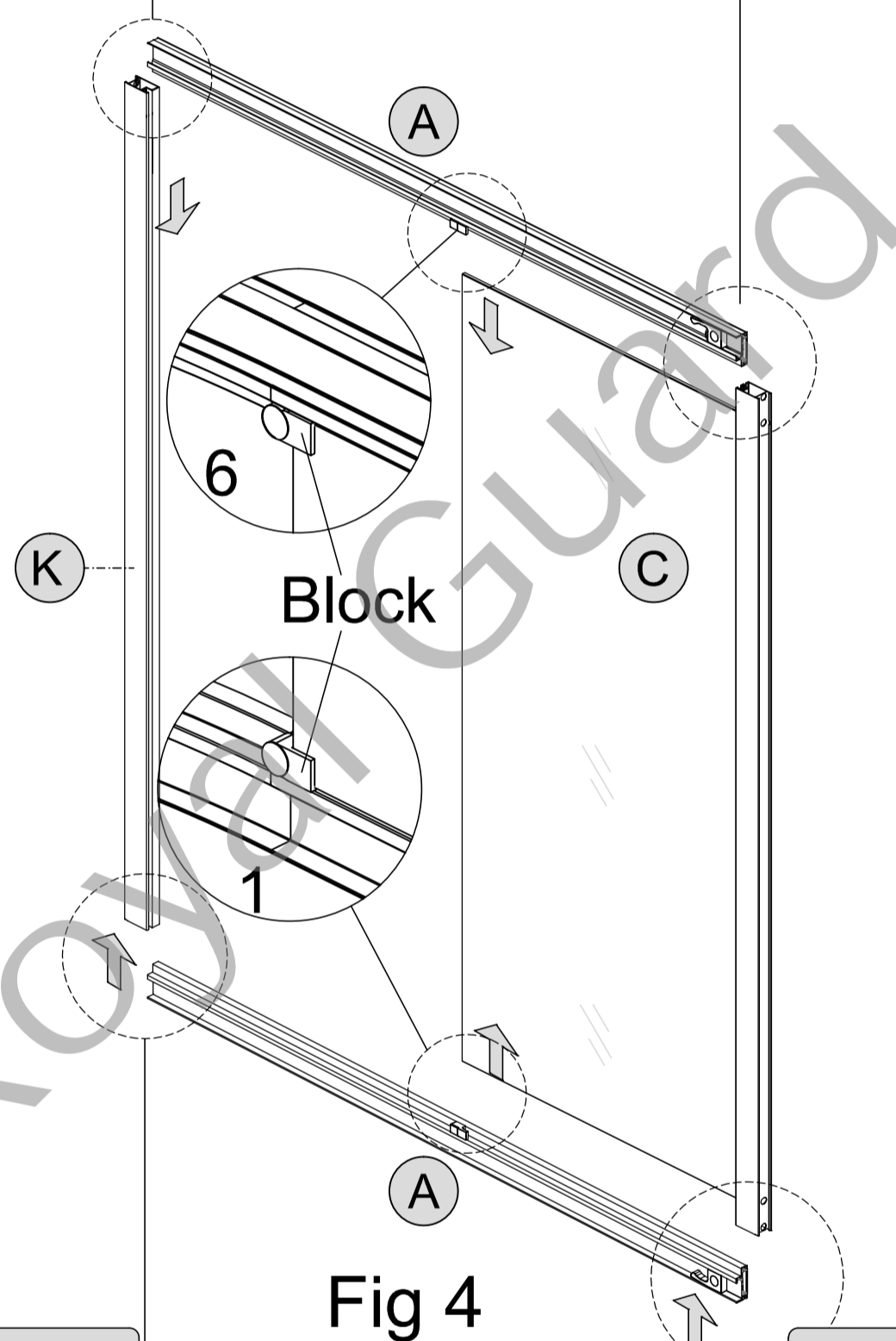
## 4 Door Frame Assembly



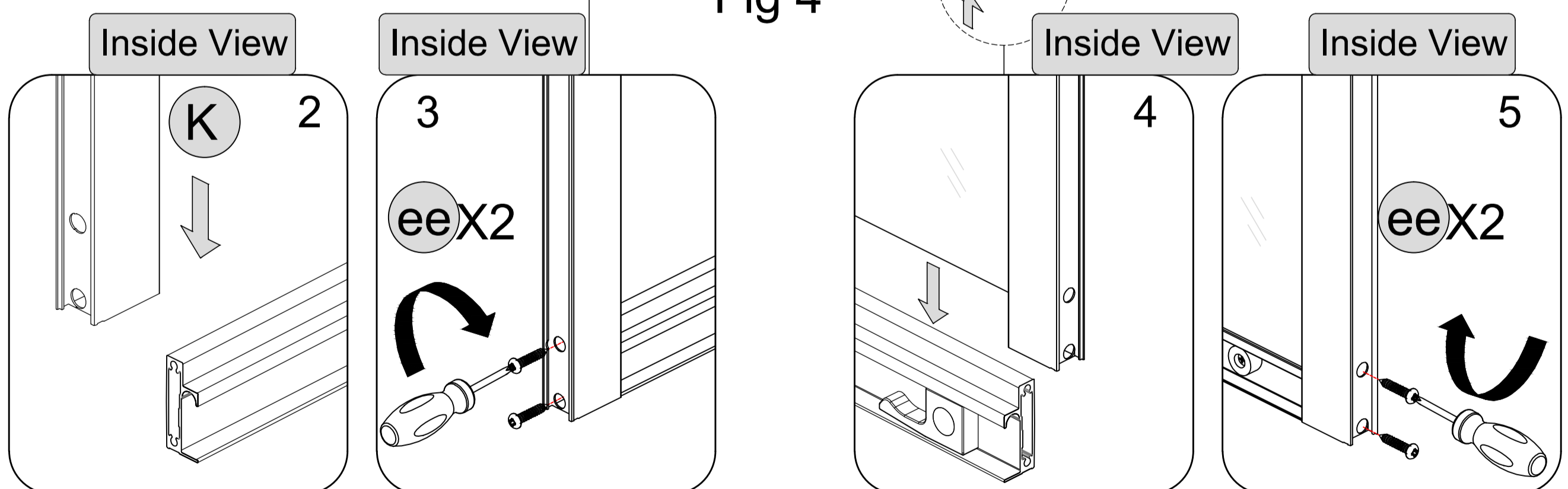
1. Place **Bottom Rail (A)** on the ground, one person gently places **Stationary glass (C)** on **Bottom Rail (A)**, and the other person locks it with **Screws (ee)**. (Fig 4.2 , Fig 4.3, Fig 4.4, Fig 4.5)

NOTE: A fixed block is used to fix the **Stationary Glass (C)**. Step 3、5、8、10 can only be carried out after the glass is installed in the fixed block. (Fig 4.1 and Fig 4.6 )

2. Slide Upper Guide Rail (A) into **Stationary Glass (C)** from above and lock it with **Screws (cc)**. (Fig 4.7 , Fig4.8, Fig4.9 and Fig4.10)



**TIP:** Apply a small amount of wax or liquid soap to the screws to make installation easier and to prevent stripping the screws while screwing the **Stationary Glass (C)** to the Top and bottom Rail (A).



NOTE: **Stationary Glass(C)** in this package has been pre-assembled with the glass and Alum. profile.

## 5 Wall Jamb(D&F) Installation

**CAUTION:** When cutting or drilling metal components or when handling glass, to reduce the risk of personal injury, protective eye wear, gloves, and closed-toe shoes are required.

Remove **Wall Jamb (D&F)** and Drill the holes as Fig.5;

- **!** If a stud is presented behind the wall:  
drill a  $\text{Ø}1/8"$ (3mm) pilot hole into the stud  
OR
- If no stud is presented behind the wall:  
drill a  $\text{Ø}1/4"$ (6mm) hole and insert the **Wall Anchors (aa)** .

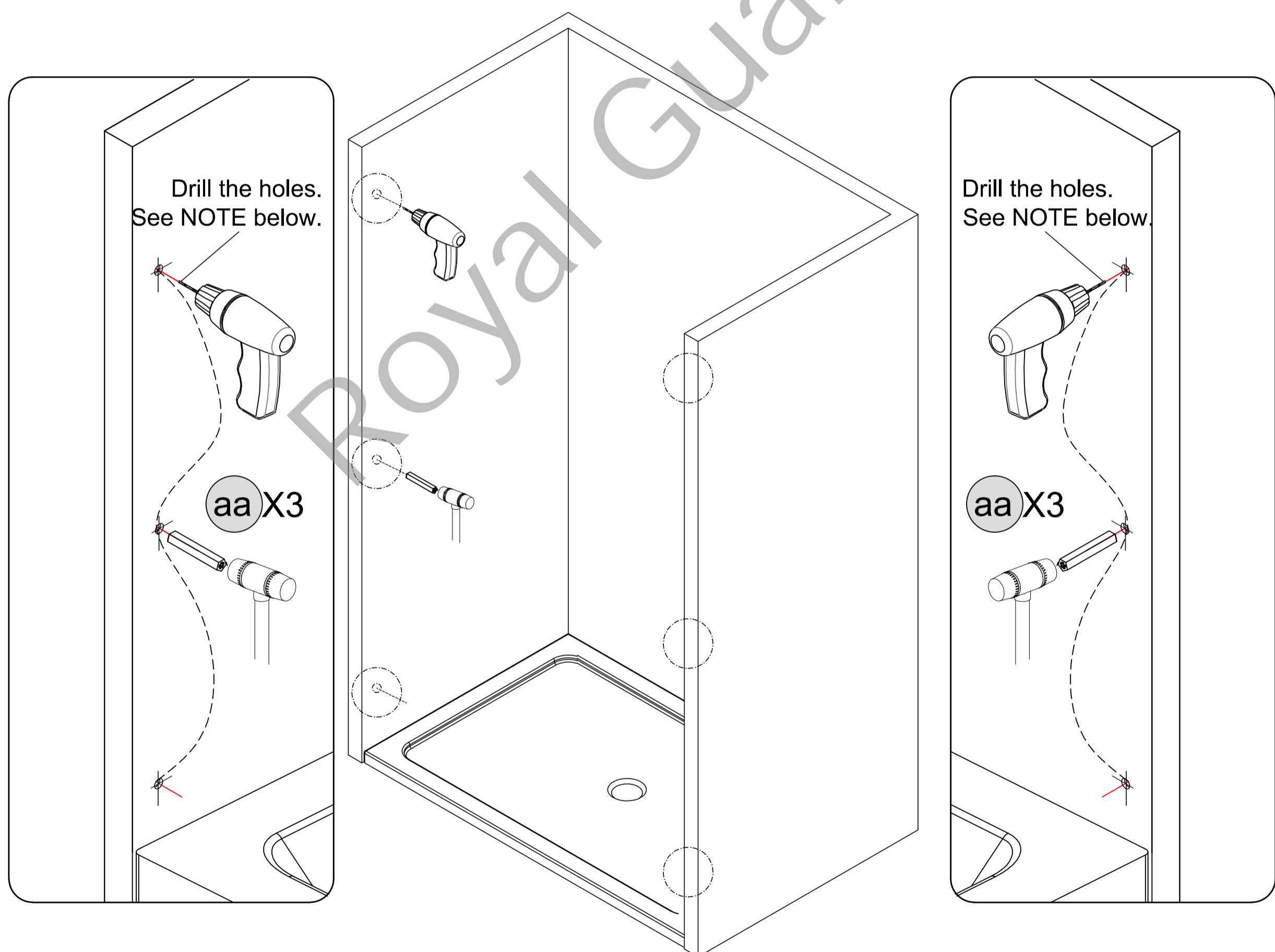


Fig 5

## 6 Door Frame Installation

Push the Door Frame into the wall.(Fig 6)

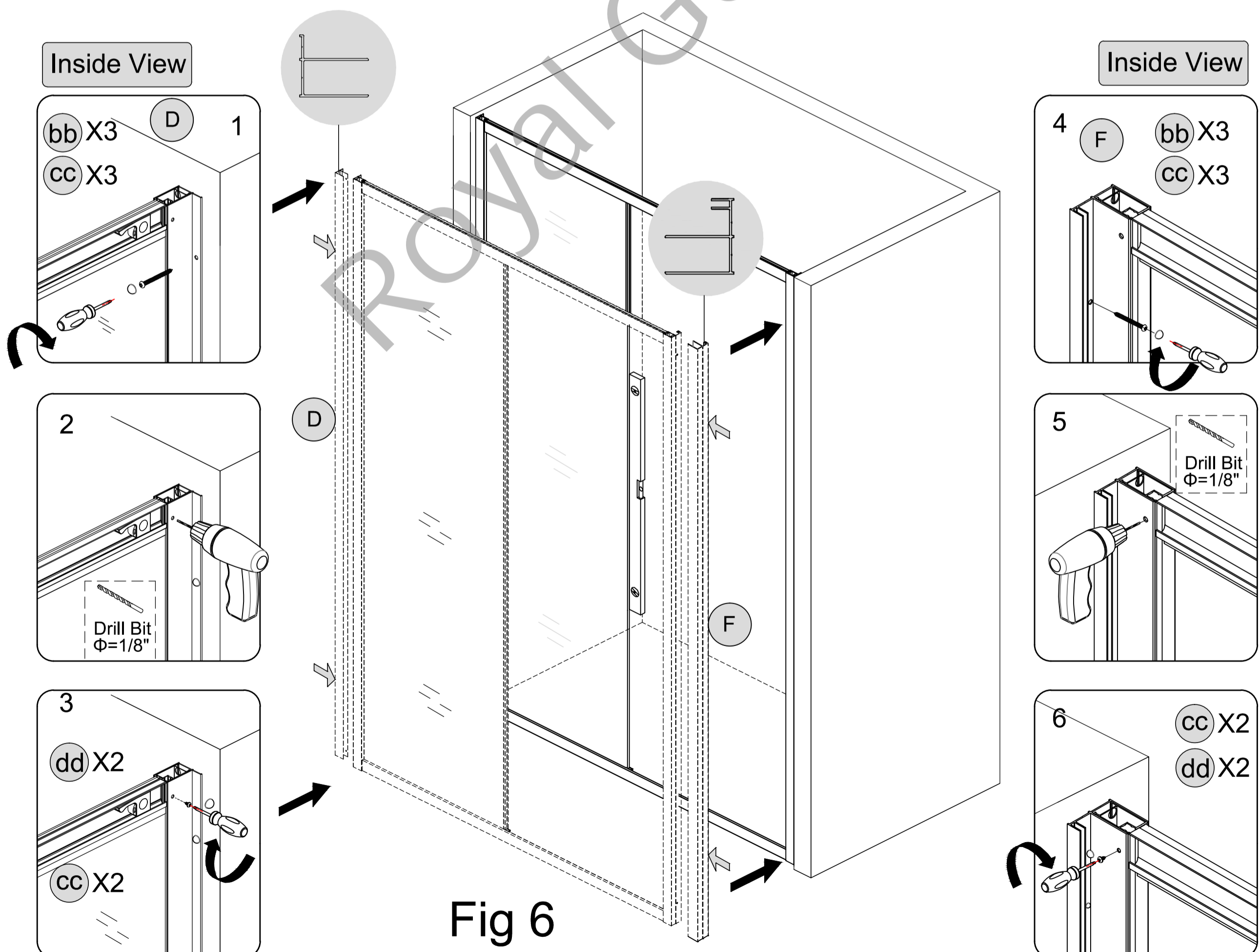
Make final adjustments of the assembled unit within the Wall Jamb (D), making the unit tight to the walls and tight to the threshold.

1. Attach the Wall Jamb (D) to the wall using the Screws ST4.2×30 (bb).(Fig 6.1)
2. From inside of the shower area, drill 2 holes through the Alum. profile of the Stationary Glass (C) into the Wall Jamb (D) with a  $\text{Ø } 1/8''$  drill bit.(one hole at the top and one hole at the bottom). (Fig 6.2)

### ATTENTION:

Do not drill the profile throughout, only through the first layer of the Wall Jamb (D) and the Alum. profile of the Stationary Glass (C).

2. Secure the Wall Jamb (D) to the Stationary Glass (C) using the Screws ST4.2×10 (dd) and Washers (cc). Cover the exposed screw heads with the Decorative Covers (cc). (Fig 6.3)

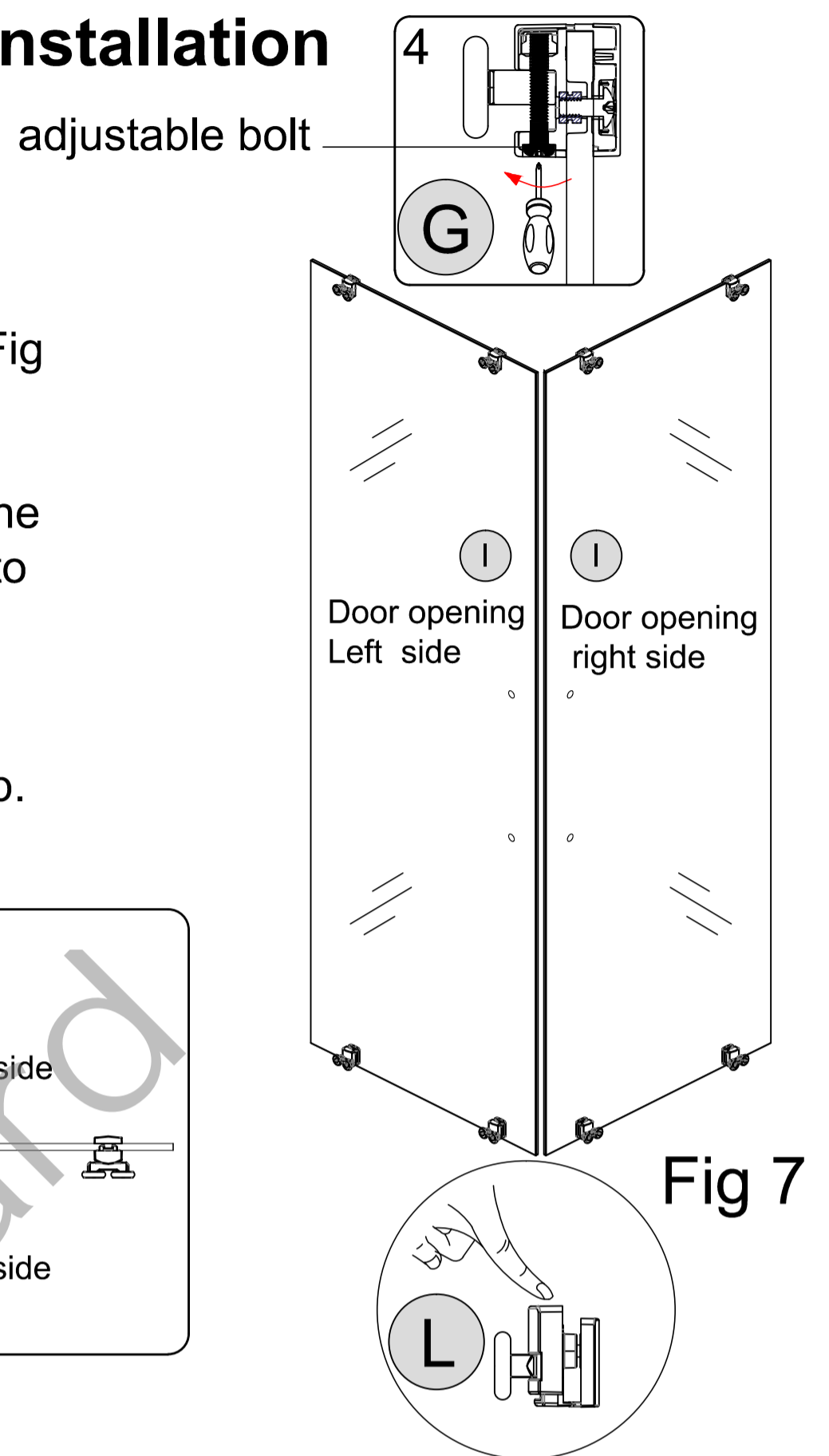
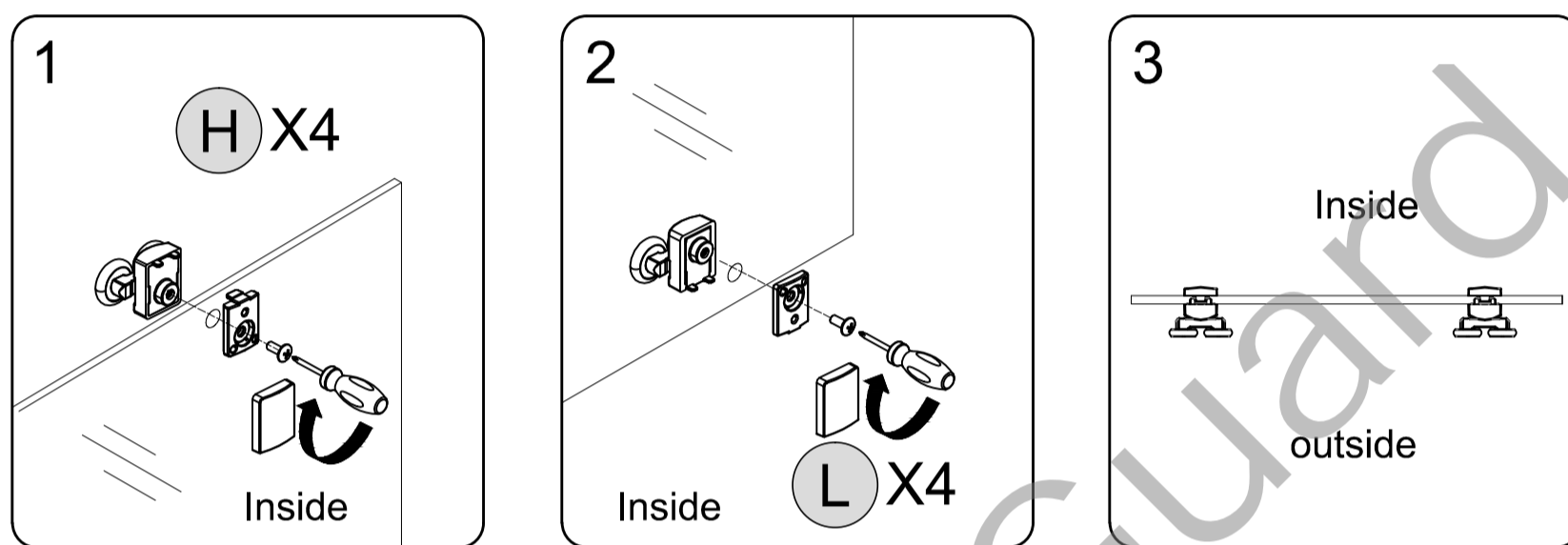


## 6 Top Roller (G)&Bottom Roller (L) Installation

Install the Top Roller (G) and the Bottom Roller (L) to the Glass Door (I), and adjust the pulley to the highest level. (Fig 7.1, 7.2, 7.3 and 7.4)

NOTE: The Top Roller (G) can adjust the door level with the adjustable bolt. The Bottom Roller (L) has a press button to allow installation of the roller into Bottom Rail (A).

NOTE: The adjustable bolt of the Top Roller (G) and the press button of the Bottom Roller (L) should be pointing up.



## 7 Glass Door Assembly Installation

1. Slide the **Top Roller (H)** into the **Top Guide rails (G)**. (Fig 8.1)

2. Push the **Bottom Rollers (L)** into the **Bottom Rail (A)** by pressing the button on the **Bottom Roller (L)**. (Fig 8.2 and Fig 8.3)

3. When Glass Door Assembly is installed, use a hand screwdriver, rotate right to adjust the **Top Roller (G)** to raise the **Glass Door (I)**, so as to prevent the wheel from falling off from the track during use. (Fig 8.4)

NOTE:

If step #2 is not successful, use a hand screwdriver, rotate left (do not use a power screwdriver) to adjust the **Top Roller (G)** to lower the **Glass Door (I)** so that you can push the **Bottom Rollers (L)** into the **Bottom Rail (A)**. (Fig 8.4)

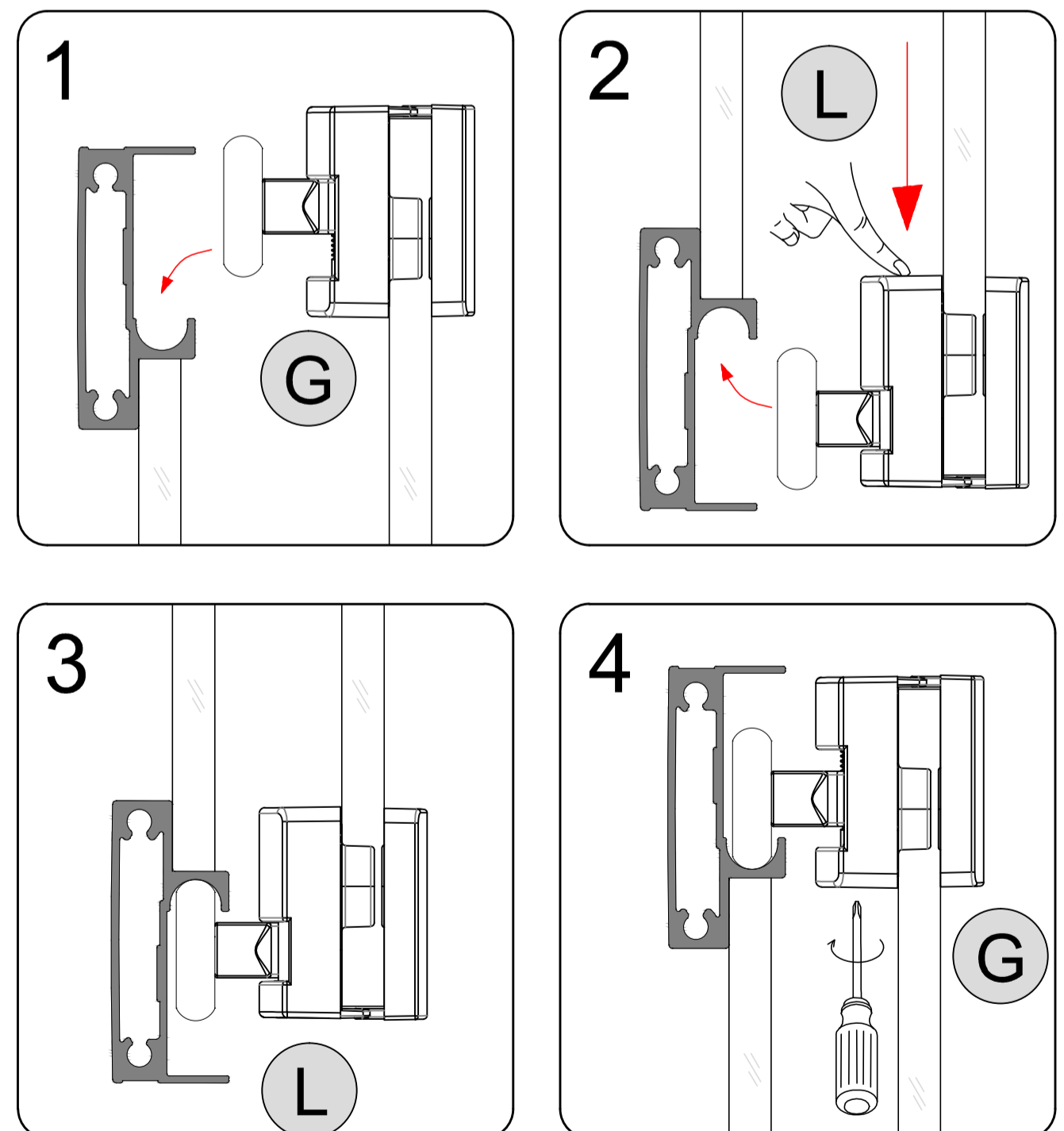


Fig 8

## 8 Handle(J) Installation

Install the **Handle (J)** onto the outside of the **Glass Door (I)**. Place the knob upward. (Fig 9)

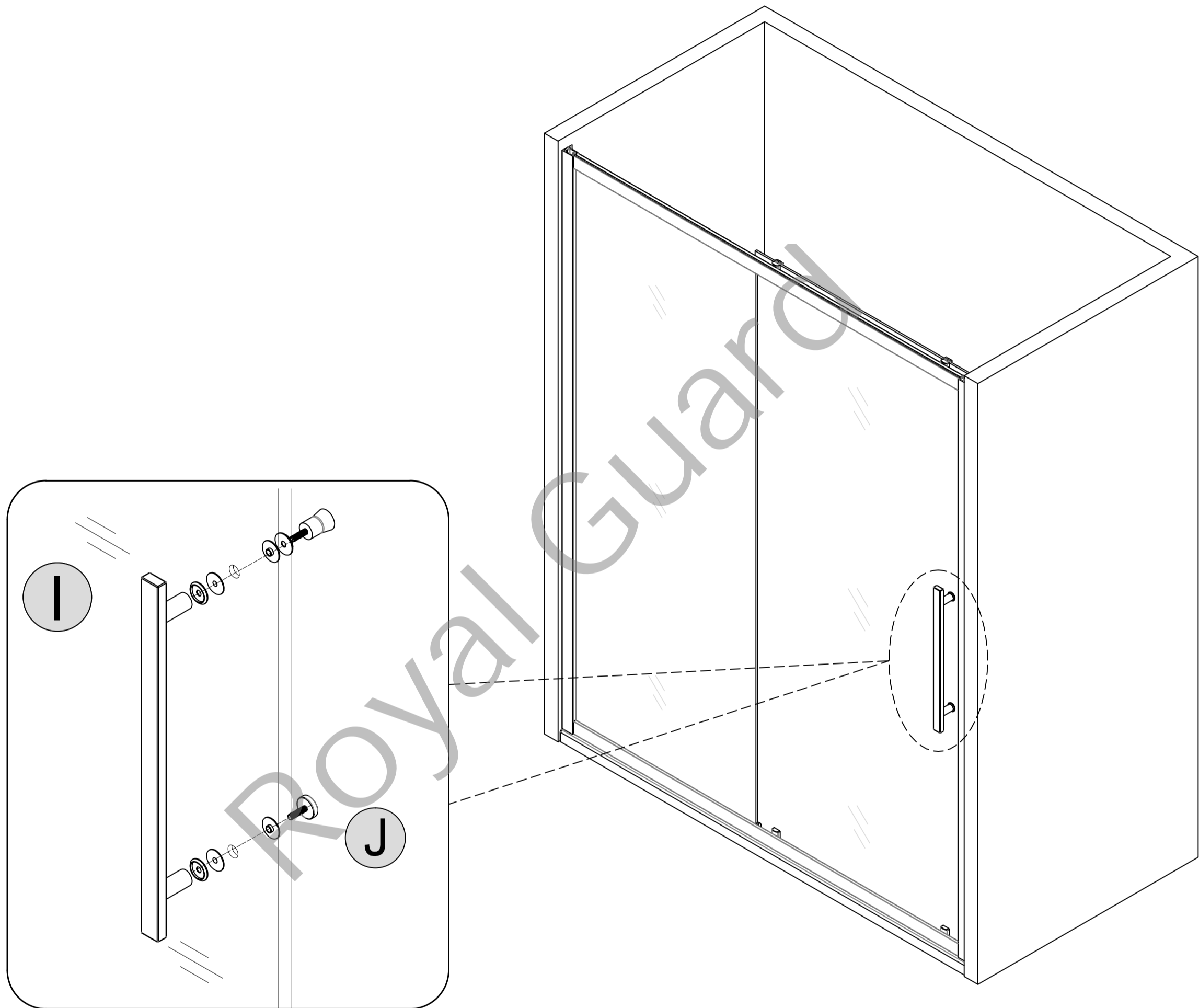


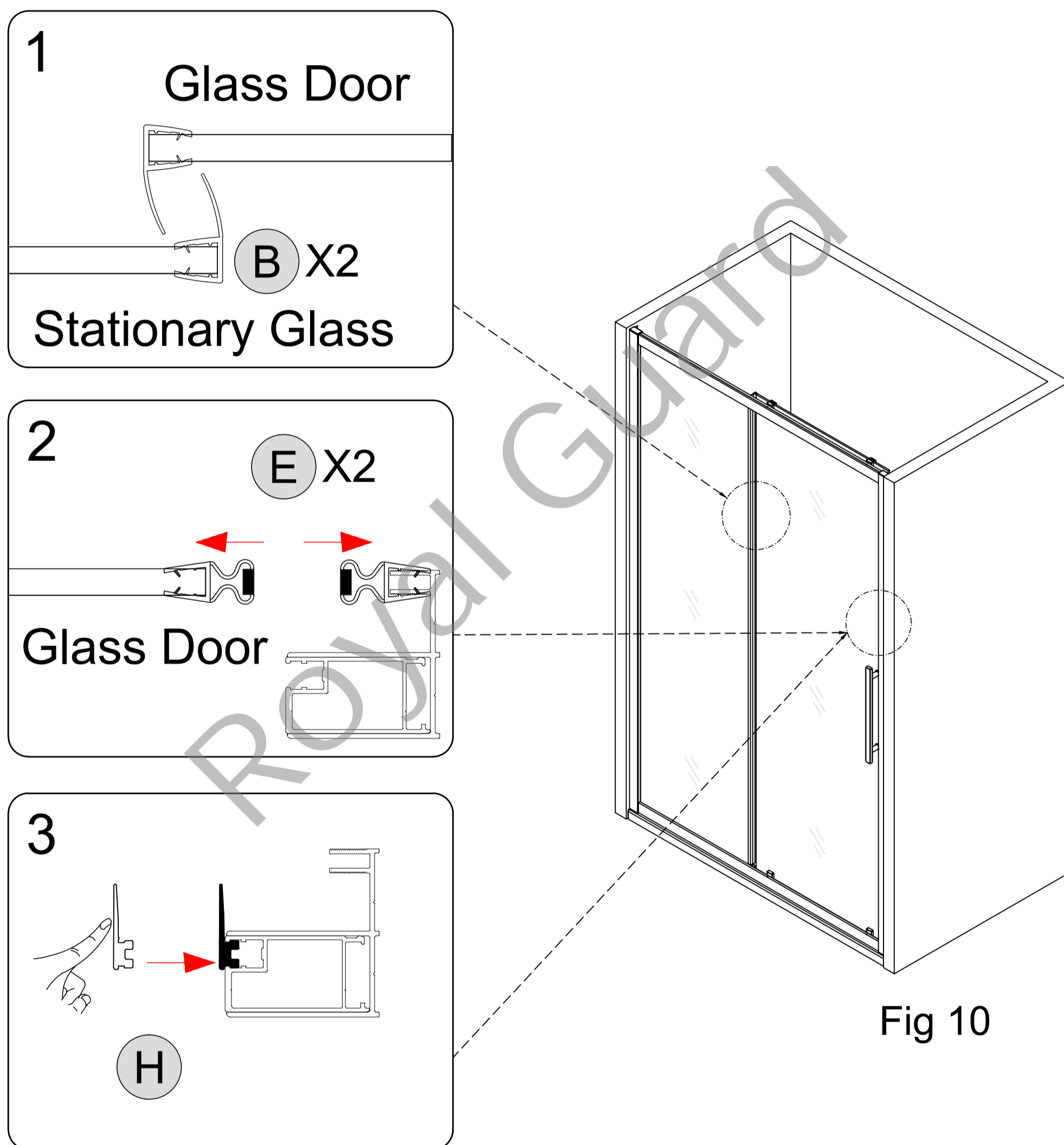
Fig 9

## 9 Rubber seal(B)& Magnetic Strip(E)&Door glass seal strip(H) Installation

1. Press the Anti-Water Strip (B) onto the vertical edge of the **Stationary Glass (C)** and both vertical edge of the **Glass Door (I)** (the shorter strip attach to the panel glass and the longer strips onto the doors). (Fig 10.1)

2. Press the **Magnetic Strip (E)** onto the vertical edge of **Glass Door (I)** for a tight seal. (Fig 10.2)

3. Press the Door glass seal strip (H) onto the AL Profile (K) for a tight seal. (Fig 10.3)



**!** When all parts are installed, the **Magnetic Strip (E)** cannot be perfectly closed when closing the door. **Magnetic Strip (E)** can be perfectly closed by adjusting the steps shown in **Fig 8.4**.

**NOTE:** The glass cannot be lowered too much to prevent the wheel from breaking away from the track during use.

## 10 SEALING



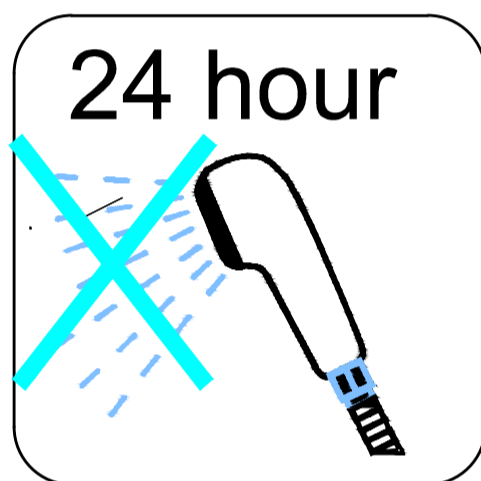
The surfaces need to be clean and free of debris before applying silicone.

Ensure that the Shower door closes tightly and opens smoothly.

**Apply a good quality silicone sealant along the Wall jamb (D&F) and bottom Rail (A).**



**Allow 24 hours for the silicone to cure before using the shower.**



**!** Apply Silicone Sealant, (not supplied).

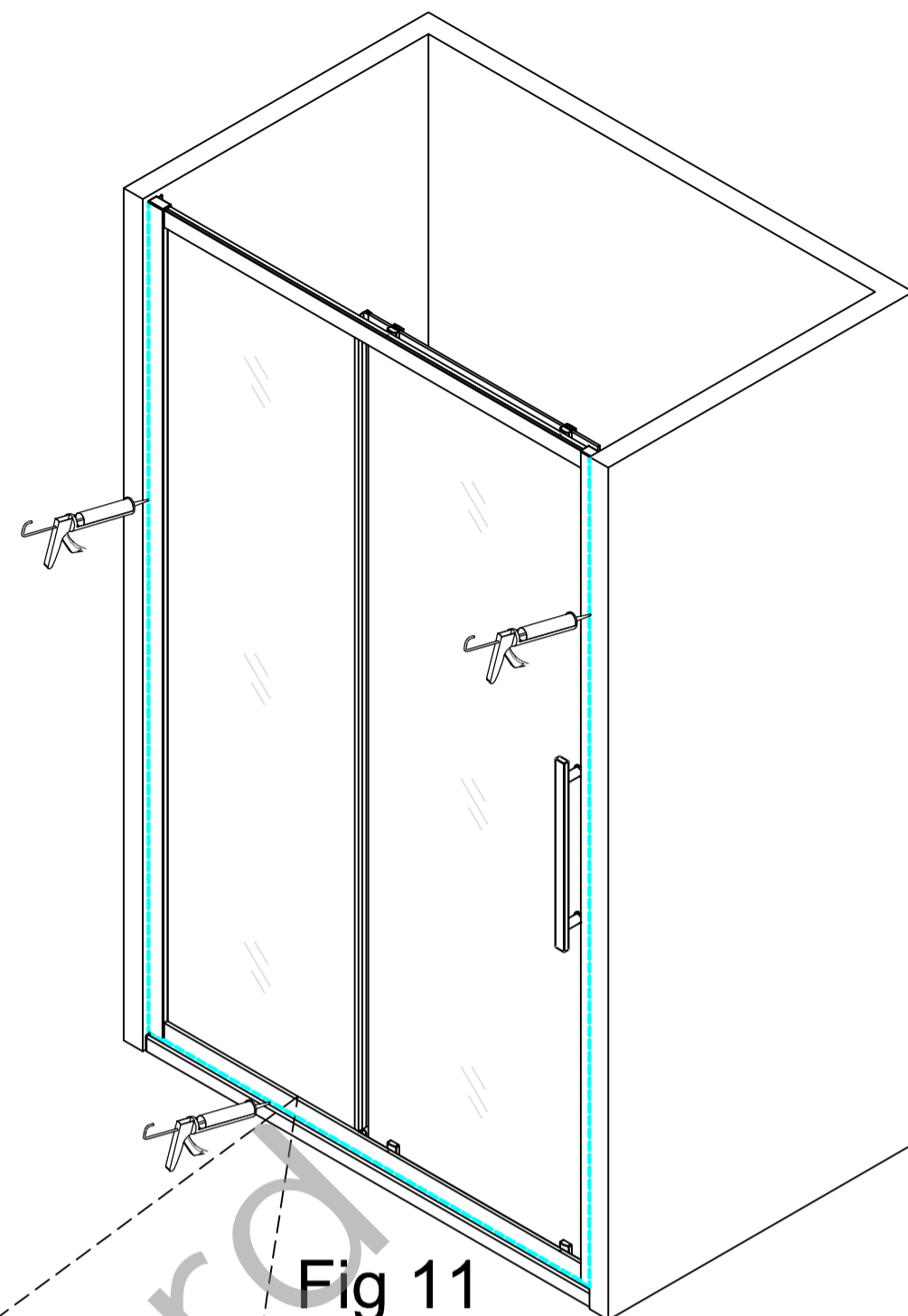
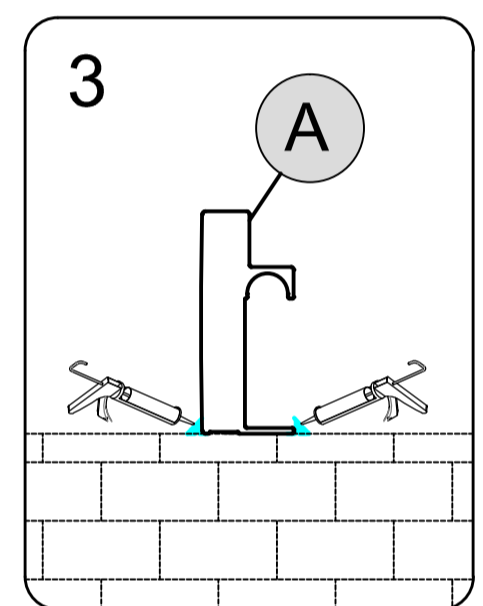
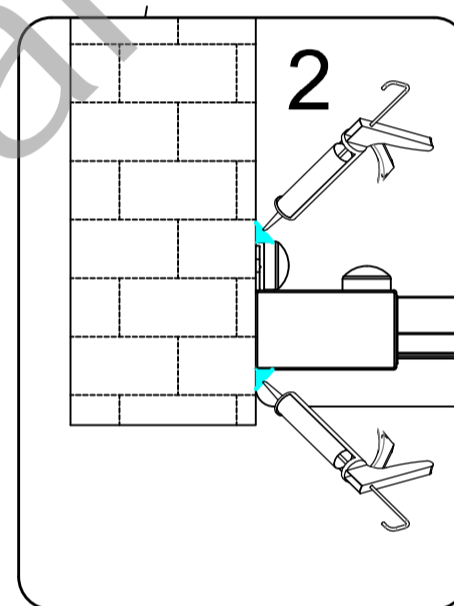
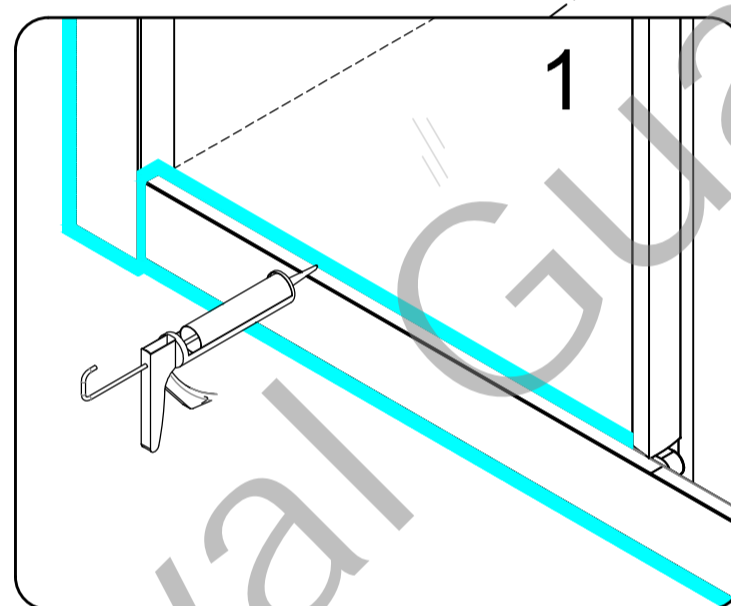


Fig 11



Apply silicone around the bottom Rail(A).

## 12 Complete.

