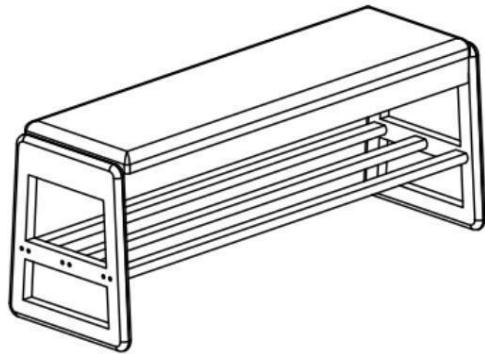


Installation Diagram

Specification name: Shoe Bench 100CM/39.4inc

Note: (already installed) in the parts list and hardware list
It means that it has been installed in the finished product and is not in the hardware package!!!



Parts List

Number	Name	Diagram	Specification	Quantity
1	Panel		950*300*100MM	1
2	Base plate		400*343*25MM	2
3	Middle vertical board		950*40*20MM	3

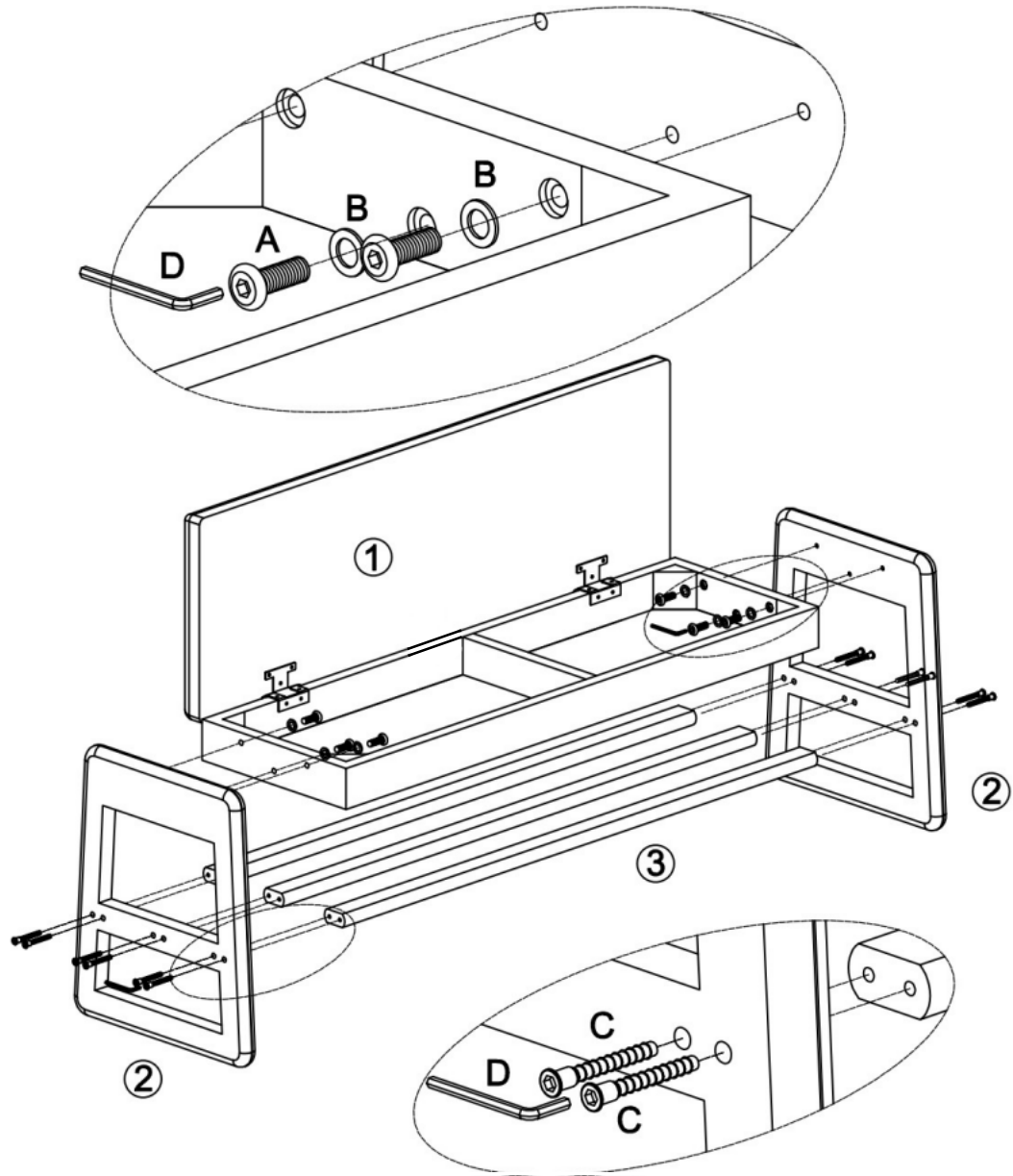
Hardware List

Number	Name	Diagram	Specification	Quantity
A	Flat head hexagon socket screw		M6*35MM	6
B	Flat gasket		M6* ϕ 13MM	6
C	Mountain Silk		ϕ *50MM	12
D	Hexagon wrench		4*22*60MM	1
E	Hinge (Installed)		70mm Cleat(20, 110 degrees)	2

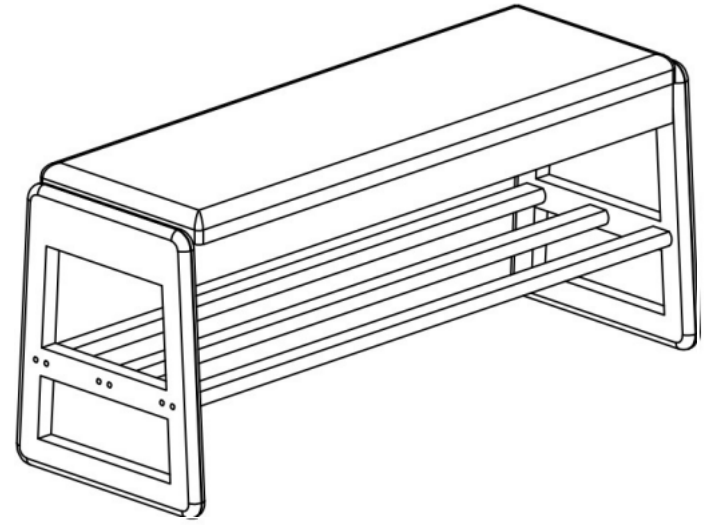


Specification name: Shoe Bench 100CM/39.4inch

Step1:



Step2



Note: After unpacking, please check the number of assembled parts as shown in the picture against the instructions first, and then assemble as shown in the picture. Connect the parts 1/2/3 with hardware A/B/C/D as shown in the picture.

►Assembly complete.