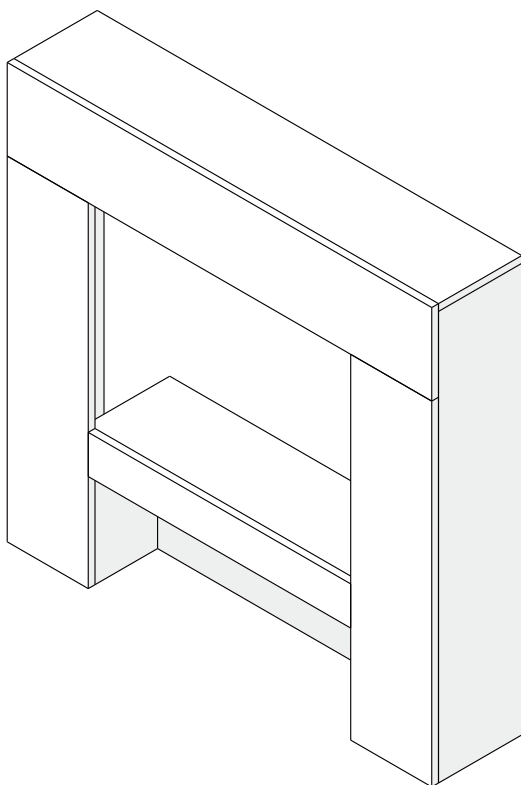


FIREPLACE MANTEL

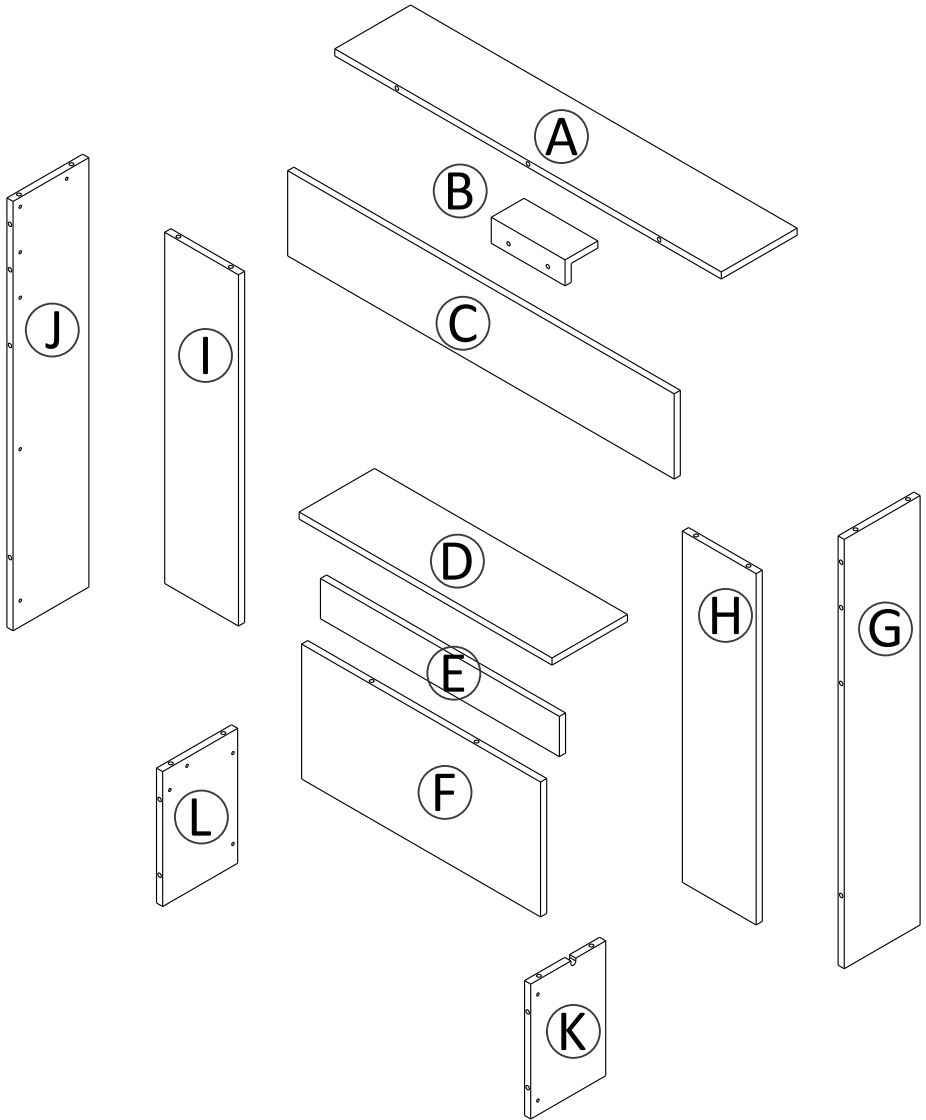
ASSEMBLY INSTRUCTIONS

MT378E



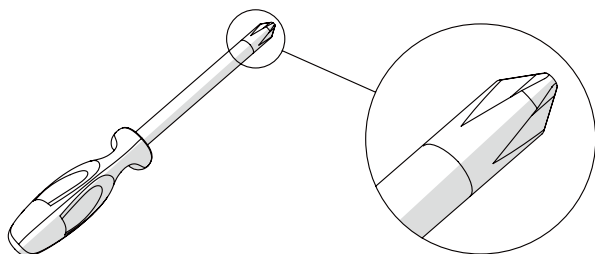
If you have a problem with this product, DO NOT RETURN
Call our customer service: 949-385-6588
or email: service5@fireandfireplaceservice.com

PARTS LIST

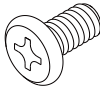
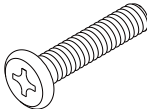
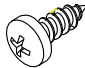

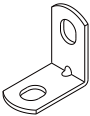
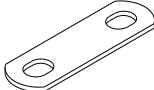
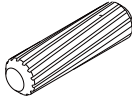
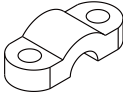
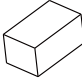
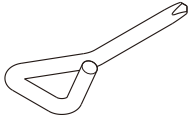




TOOLS REQUIRED

A screwdriver will be needed

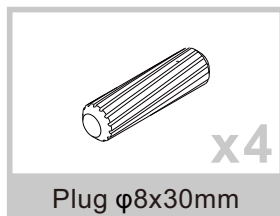
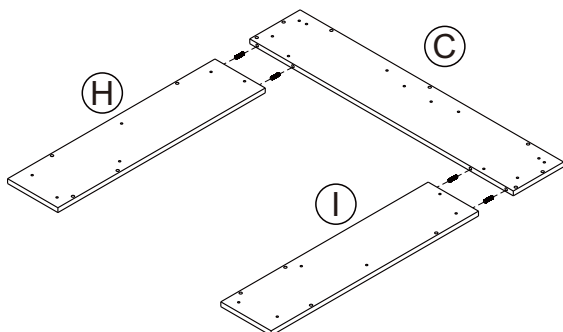


ACCESSORIES

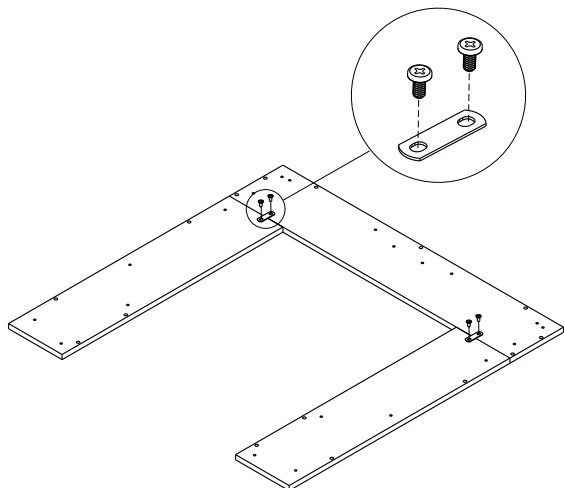
 Screw M6x12mm X70+1	 Screw M6x28mm X2+1	 Screw ST4x12mm X8+1
 Washer X2+1	 L Bracket X33+1	 Flat Bracket X2+1
 Plug φ8x30mm X35+1	 Clamp X4	 Foam X4
 Screwdriver X1	 Moodlight Strip X1	 Connect Wire X1

ASSEMBLY INSTRUCTIONS

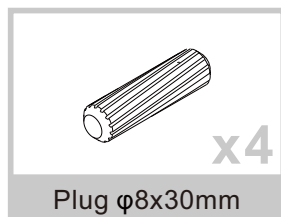
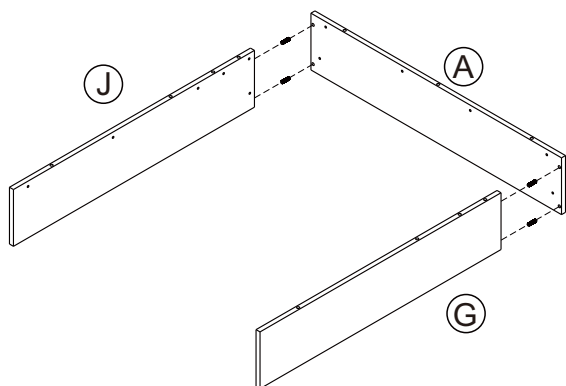
STEP 1



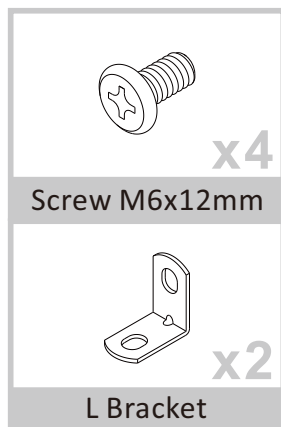
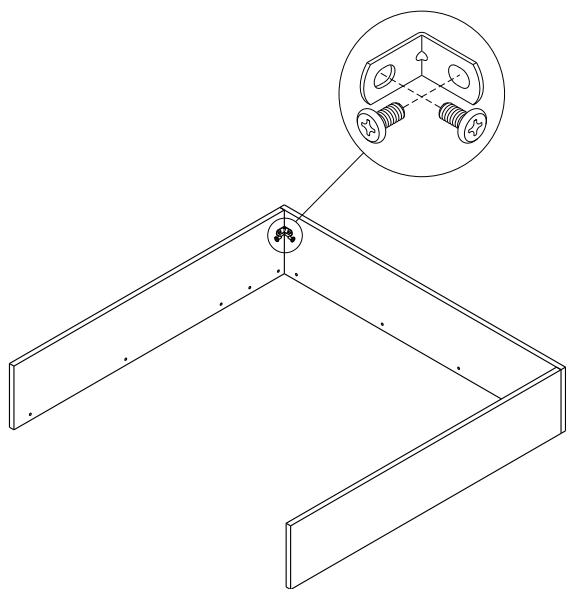
STEP 2



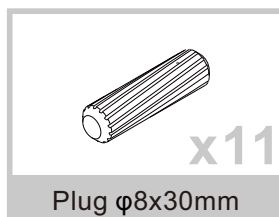
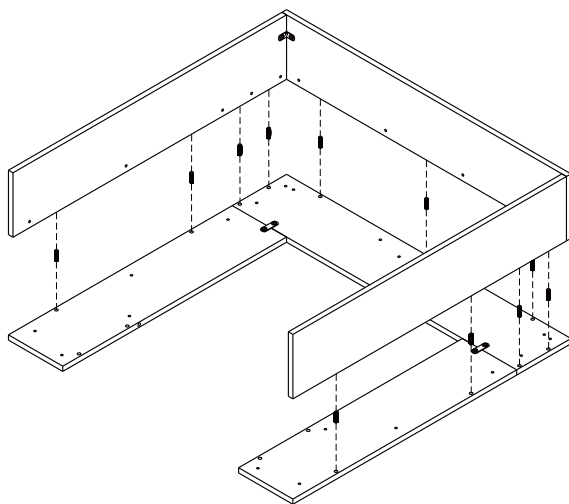
STEP 3



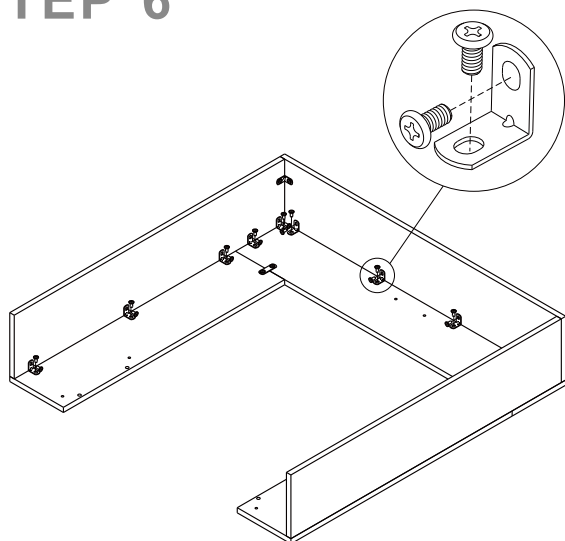
STEP 4



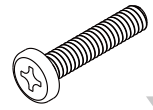
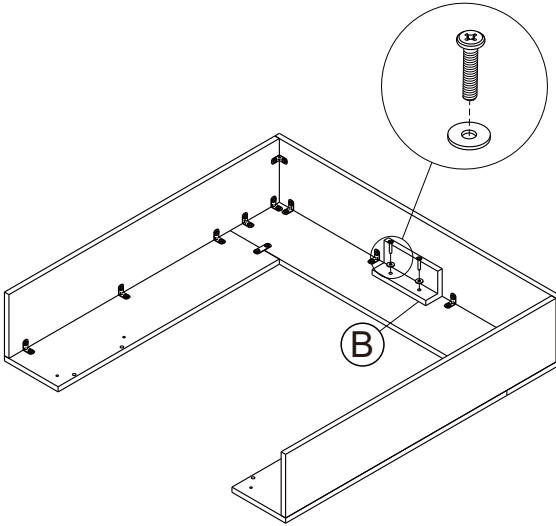
STEP 5



STEP 6

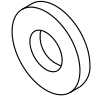


STEP 7



x2

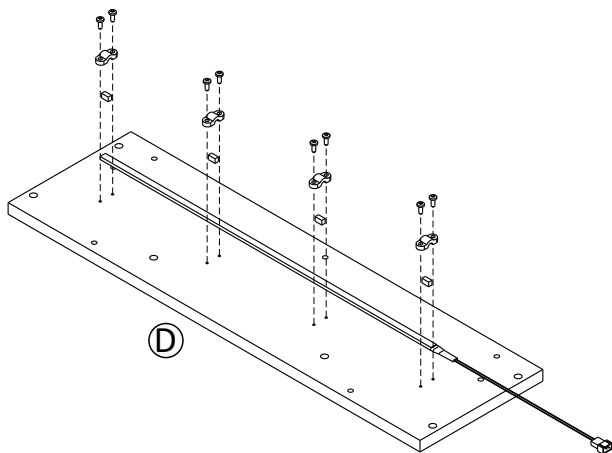
Screw M6x28mm



x2

Washer

STEP 8



x4

Clamp



x4

Foam



x8

Screw ST4x12mm



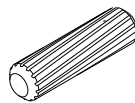
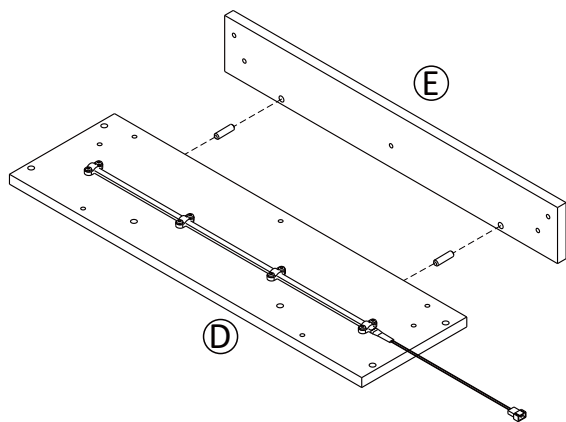
x1

Moodlight Strip

Uncover the paper on the foams and stick them on the moodlight strip evenly, use the fixers and screws to fix the moodlight strip on the panel.

Make sure the strip is fixed as above otherwise it will influence the mood light effect.

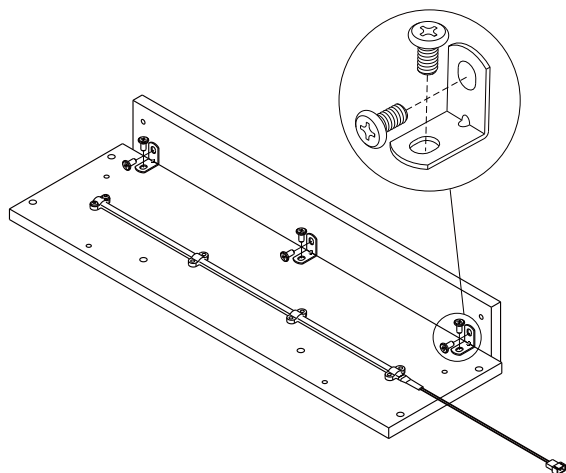
STEP 9



x2

Plug $\varnothing 8 \times 30 \text{mm}$

STEP 10



x6

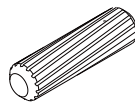
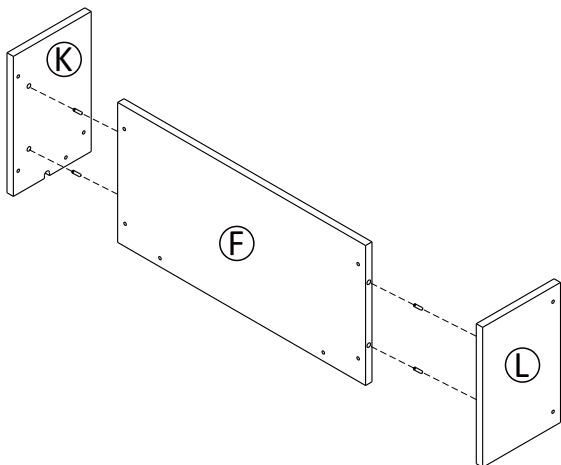
Screw M6x12mm



x3

L Bracket

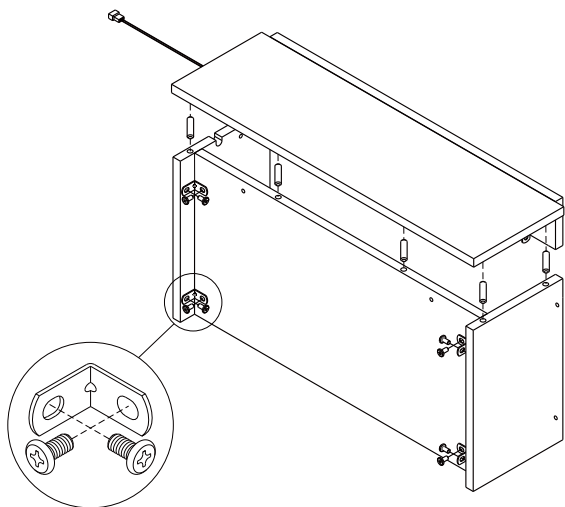
STEP 11



x4

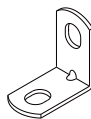
Plug $\phi 8 \times 30 \text{mm}$

STEP 12



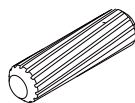
x8

Screw M6x12mm



x4

L Bracket

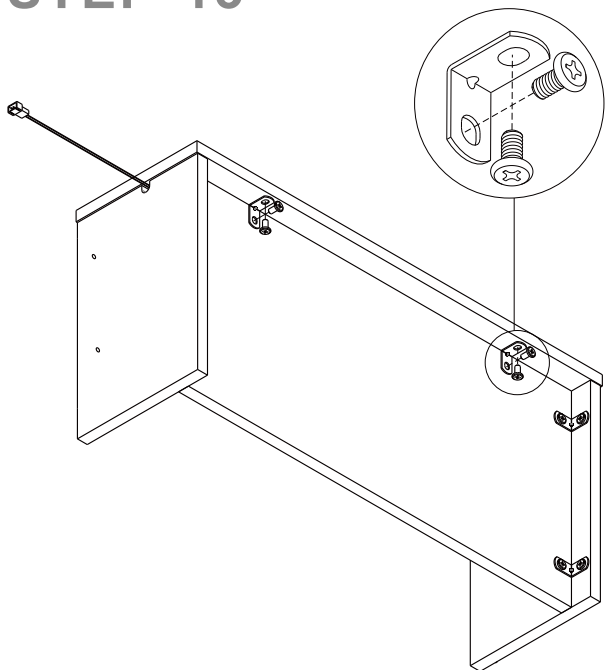


x6

Plug $\phi 8 \times 30 \text{mm}$

Carry out these assembly steps on both sides.

STEP 13



x4

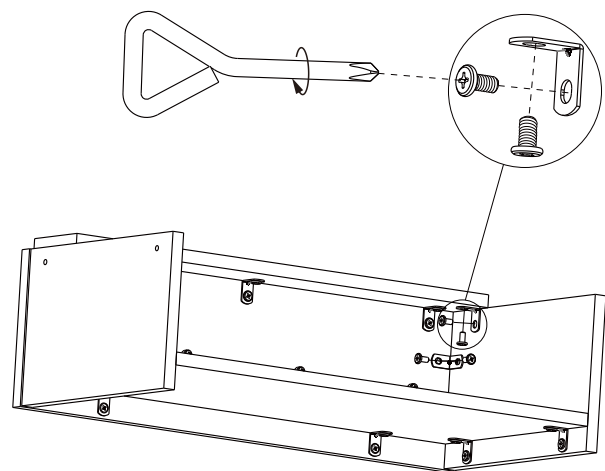
Screw M6x12mm



x2

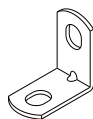
L Bracket

STEP 14



x8

Screw M6x12mm



x4

L Bracket

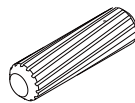
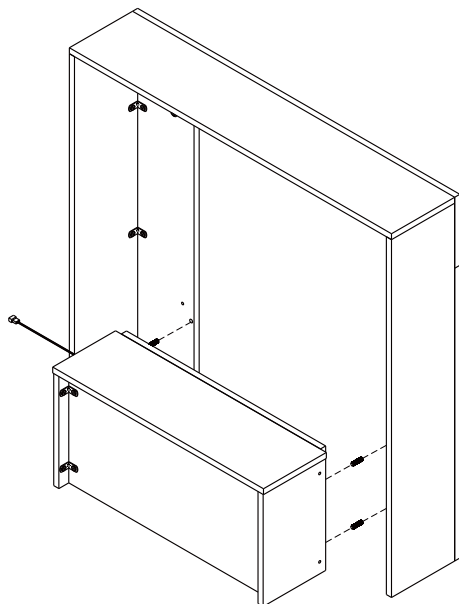


x1

Screwdriver

Carry out these assembly steps on both sides.

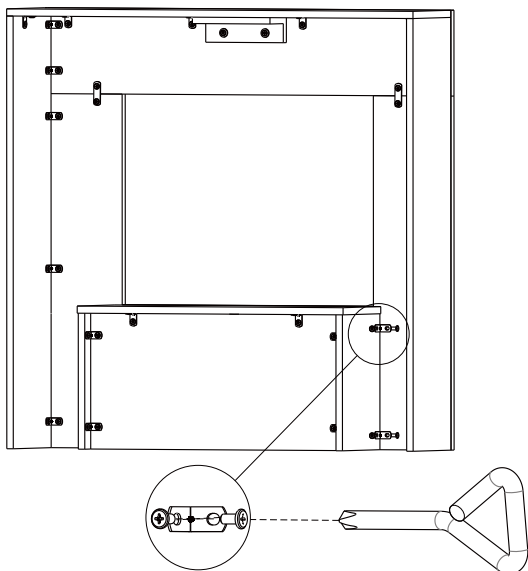
STEP 15



x4

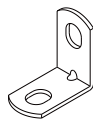
Plug $\phi 8 \times 30 \text{mm}$

STEP 16



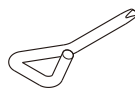
x8

Screw M6x12mm



x4

L Bracket

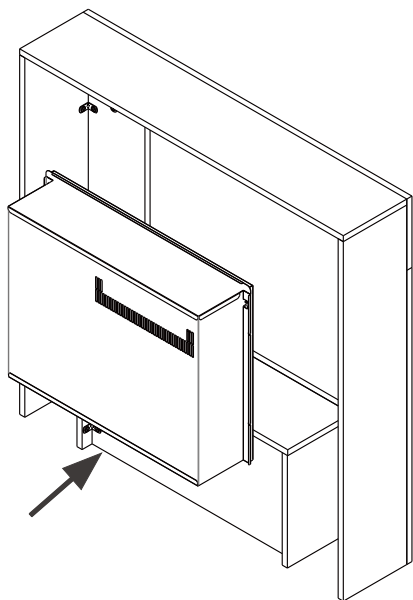


x1

Screwdriver

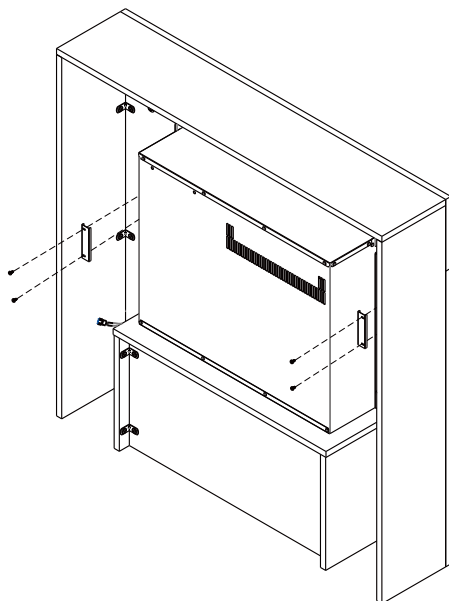
Carry out these assembly steps on both sides.

STEP 17



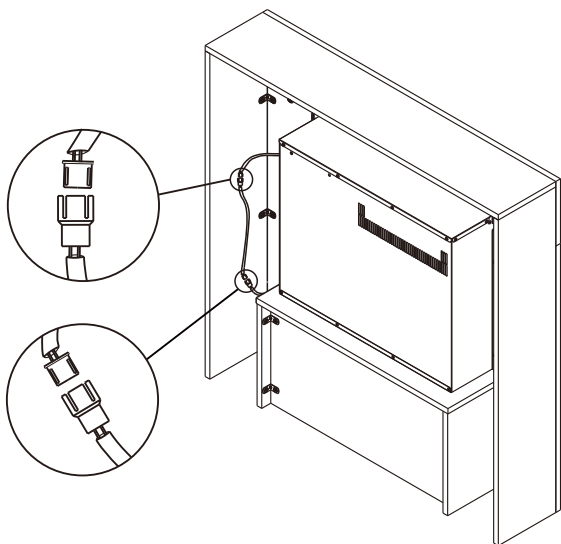
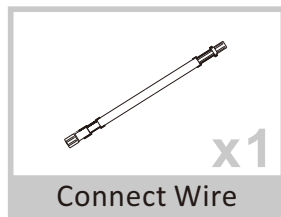
Rear side of the panel

STEP 18



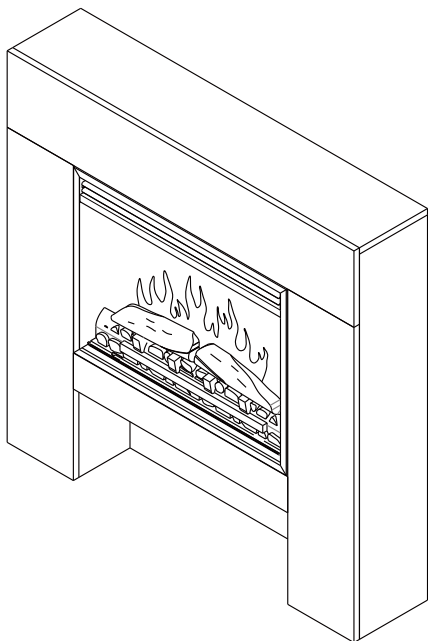
4pcs ST3.5x12mm Screw

STEP 19



Connect mood light cable

STEP 20



Legend Flame Group LLC

Address: 92 Corporate Park, Ste. C655 Irvine, CA 92606, United States

Tell: 949-385-6588

Email: service5@fireandfireplaceservice.com