

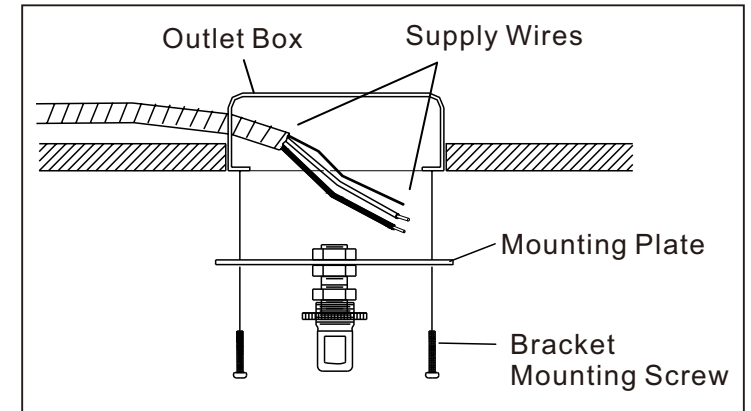
# INSTRUCTIONS FOR PENDANT LIGHT FIXTURE

## WARNING:

- We suggest a qualified, licensed electrician to perform the installation.
- Before starting installation disconnect the power by turning off the Circuit Breaker or by removing fuse at the fuse box.

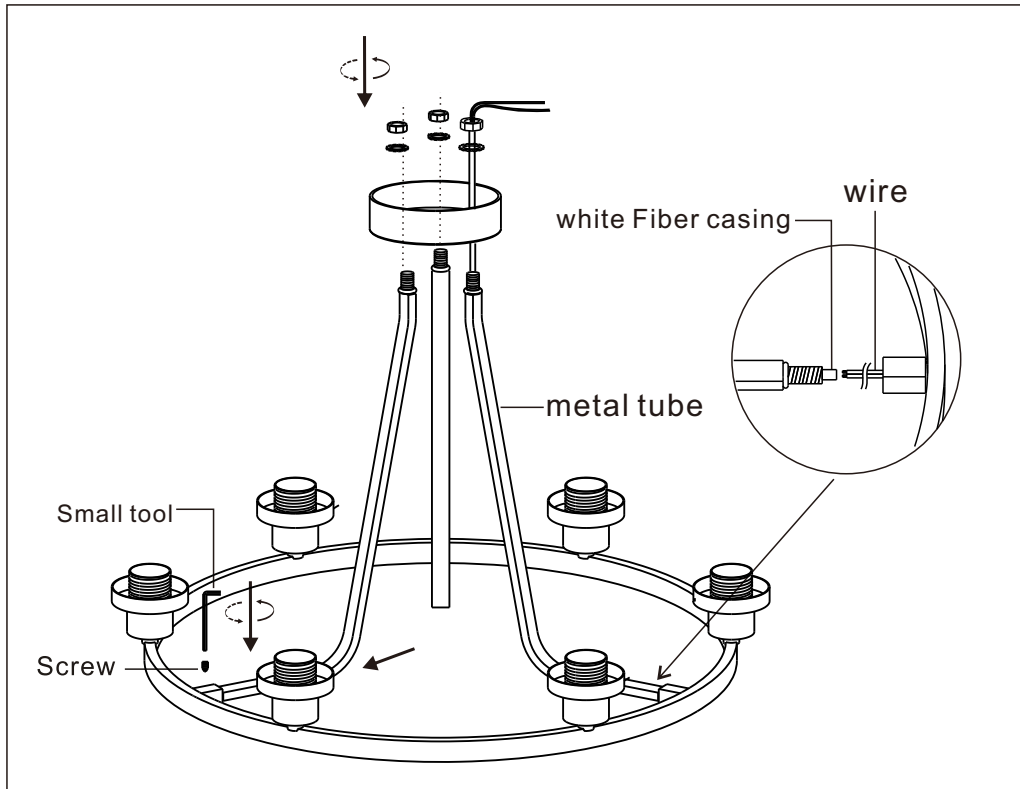
## Install Mounting Plate:

1. disconnect power at the circuit breaker.
2. Pull the Supply Wires from the Outlet Box.
3. Attach the Mounting Bracket to the Outlet Box using the Bracket Mounting Screws.
4. Hand tighten to secure.



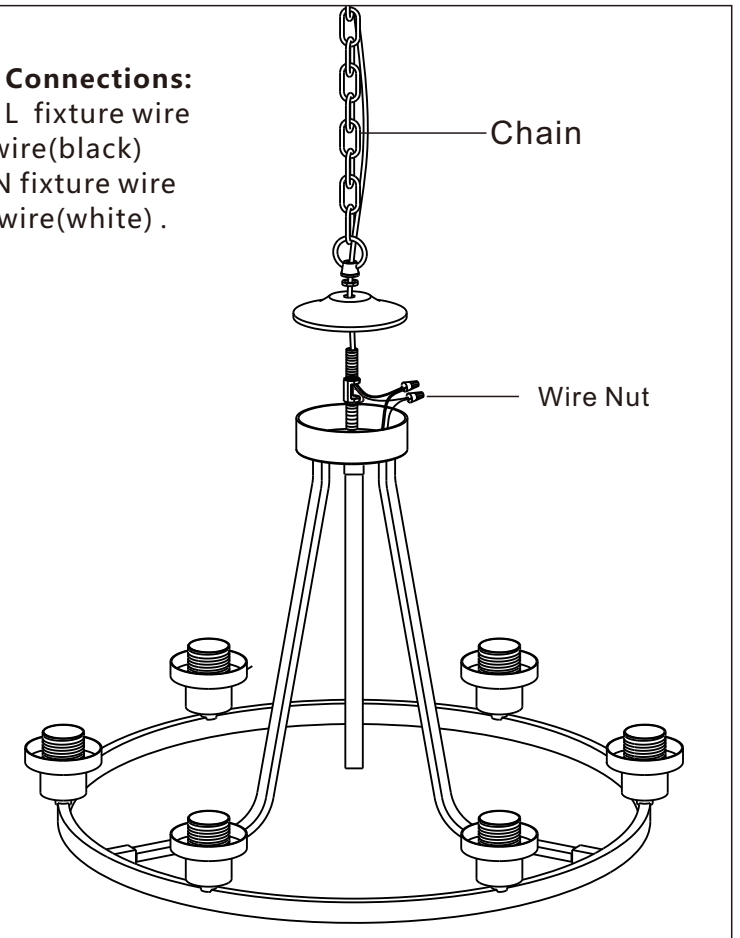
## Install Arms:

1. Cross the wire to the metal tube with the white Fiber casing.
2. tighten each arm turning clockwise until it sits flush and fixed by a tool.
3. Repeat this step for each arm until they are secure.



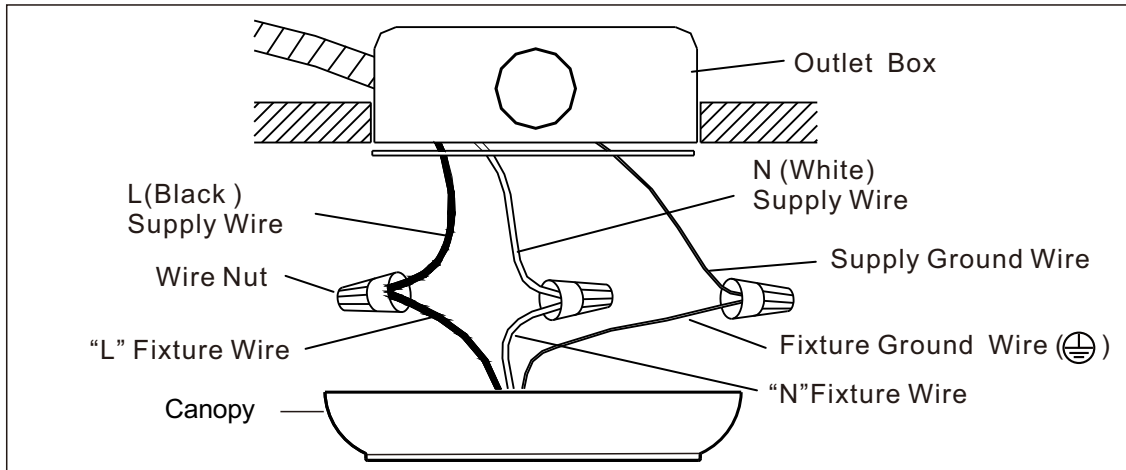
## Make Wire Connections:

1. Connect L fixture wire to the L wire (black) and the N fixture wire to the N wire (white).



## Make Wire Connections:

1. Connect L fixture wire to the L wire(black)and the N fixture wire to the N wire(white) .
2. Connect the fixture ground wire(⊕) to the Outlet-Box ground wire.
3. Secure all connections with the supplied wire nuts. Secure all wire connections with electrical tape (not supplied).
4. Tuck all wires carefully into Outlet-Box



## Install Fixture to the Mounting Plate:

1. Position canopy over the mounting plate.
  2. Tighten the Canopy with Locking ring.
  3. Tighten the glass to the lampholder by plastic locking ring.
  4. Insert the Bulbs (MAXIMUM WATTAGE 60W).
- Please Note: DO NOT EXCEED THE WATTAGE AS STATED ON THE WARNING LABEL.
5. After the bulbs have been installed, restore the electricity and check the operation of your new fixture.

**Dimmer Note:** For the best lighting experience, we recommend using a dimmer. Not only does this allow you to create a great ambiance, it allows for energy savings and extends the life of the bulbs.

